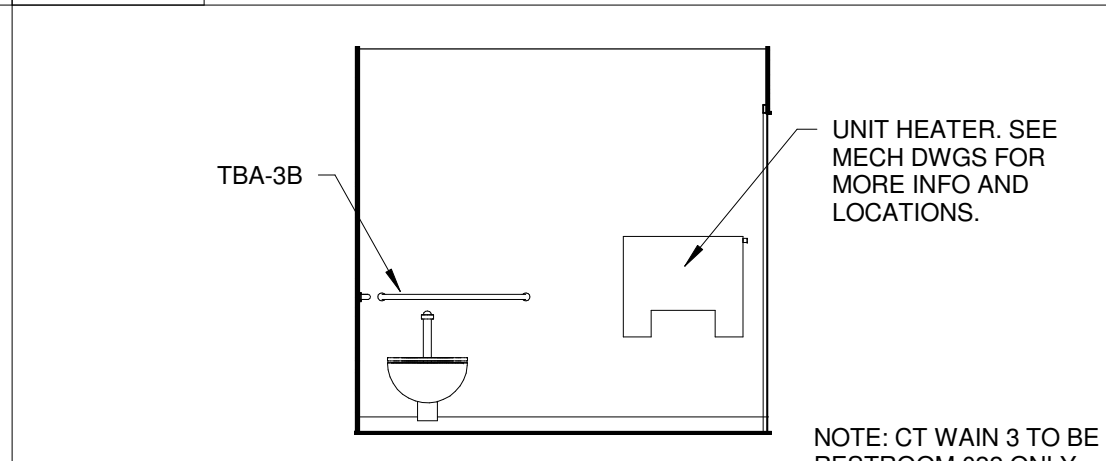
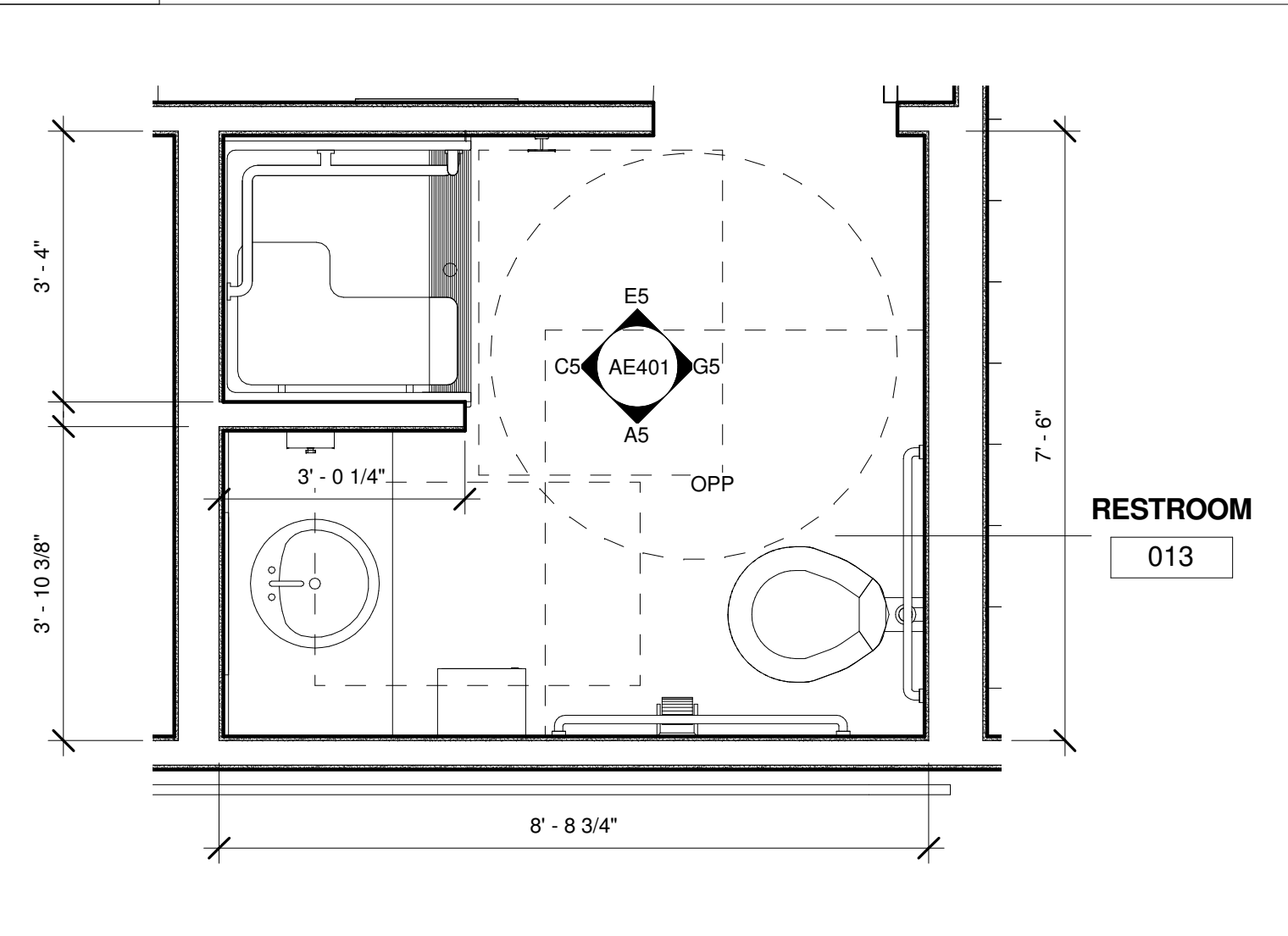


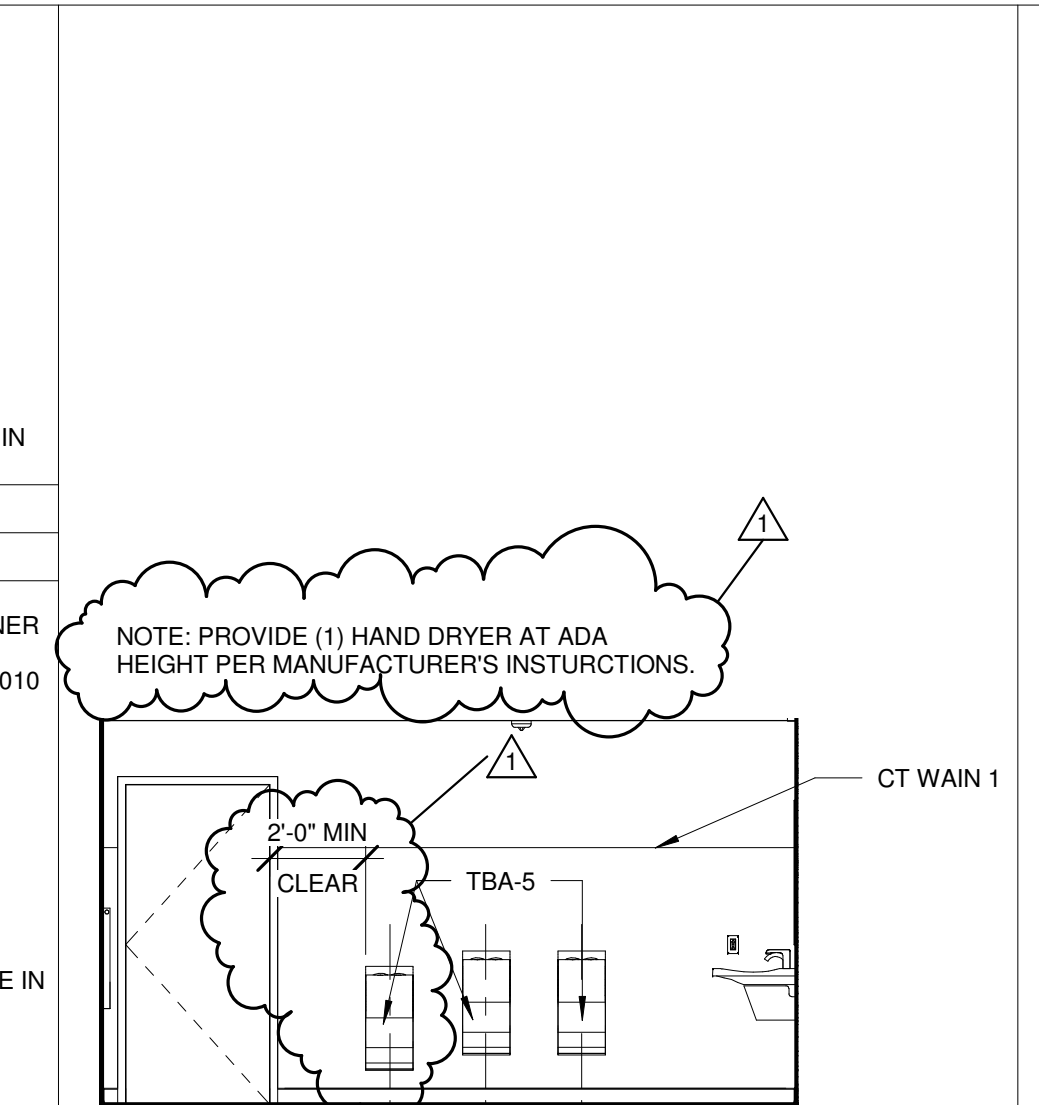
- GENERAL INTERIOR ELEVATION NOTES:**
- REFER TO ARCHITECTURAL ABBREVIATIONS ON SHEET G1002 FOR ALL ABBREVIATIONS.
  - REFER TO H1/AE401 FOR TYPICAL TOILET AND BATH ACCESSORIES (TBA) LEGEND AND MOUNTING HEIGHT INFORMATION.
  - G.C. SHALL PROVIDE AND INSTALL BLOCKING STIFFENERS, BACKING PLATES AND SUPPORTING CASEWORK (BOTH CONTRACTOR AND OWNER SUPPLIED), TOILET ACCESSORIES, VISUAL DISPLAY UNITS AND MISCELLANEOUS EQUIPMENT WHETHER SUCH SUPPORTS ARE SHOWN OR NOT. G.C. TO COORDINATE BLOCKING REQUIREMENTS OF OWNER SUPPLIED ITEMS WITH THE OWNER.
  - REFER TO AE601 FOR ALL DOOR TYPES, STYLE AND FRAME STYLES.
  - ALL EQUIPMENT, CASEWORK, ETC. TO BE CS/CL UNO.
  - REFER TO DIVISION 6 SPECIFICATION FOR DETAILED INFORMATION RELATED TO MILLWORK WOOD CABINETS, UNO.
  - "CJ" DENOTES GWB CONTROL JOINT LOCATIONS.
  - REFER TO FINISH PLANS FOR CORNER GUARD LOCATIONS.
  - REFER TO FINISH PLANS AND SCHEDULES FOR COUNTERTOP MATERIAL.
  - REFER TO AE405 FOR CT TILE PATTERNS.
  - VERIFY ALL TOILET PARTITION DIMENSIONS IN THE FIELD BEFORE FABRICATION.

**H1 010 - RESTROOM**  
1/2" = 1'-0"

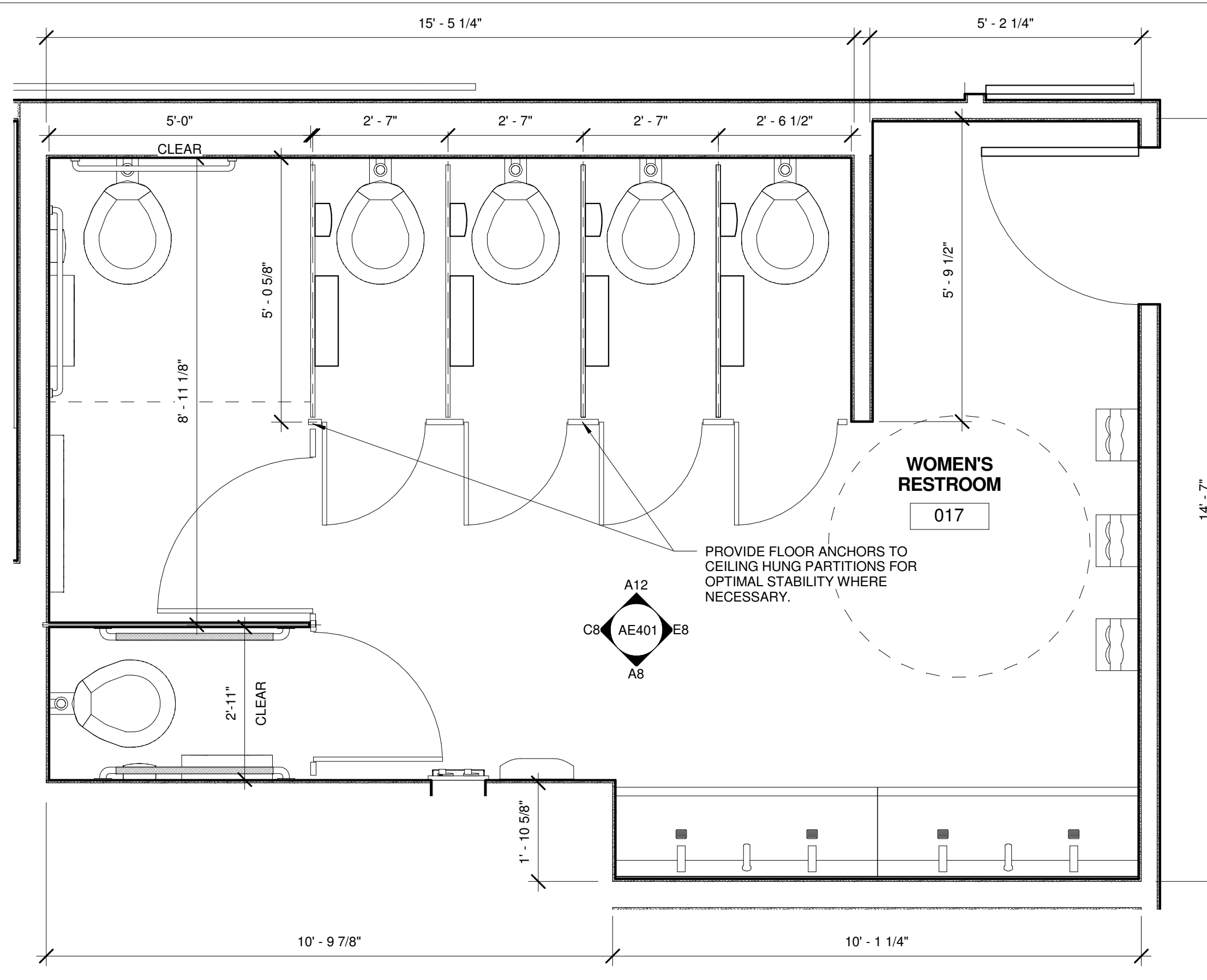
**H5 TBA - MOUNTING HEIGHTS**  
1/4" = 1'-0"



**G5 SINGLE USER RESTROOMS**  
1/4" = 1'-0"

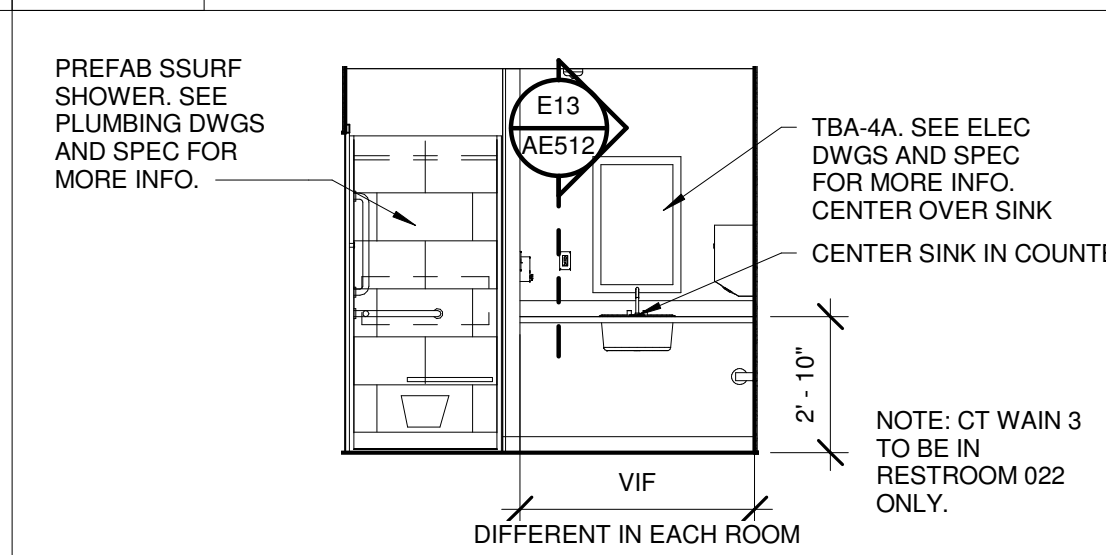
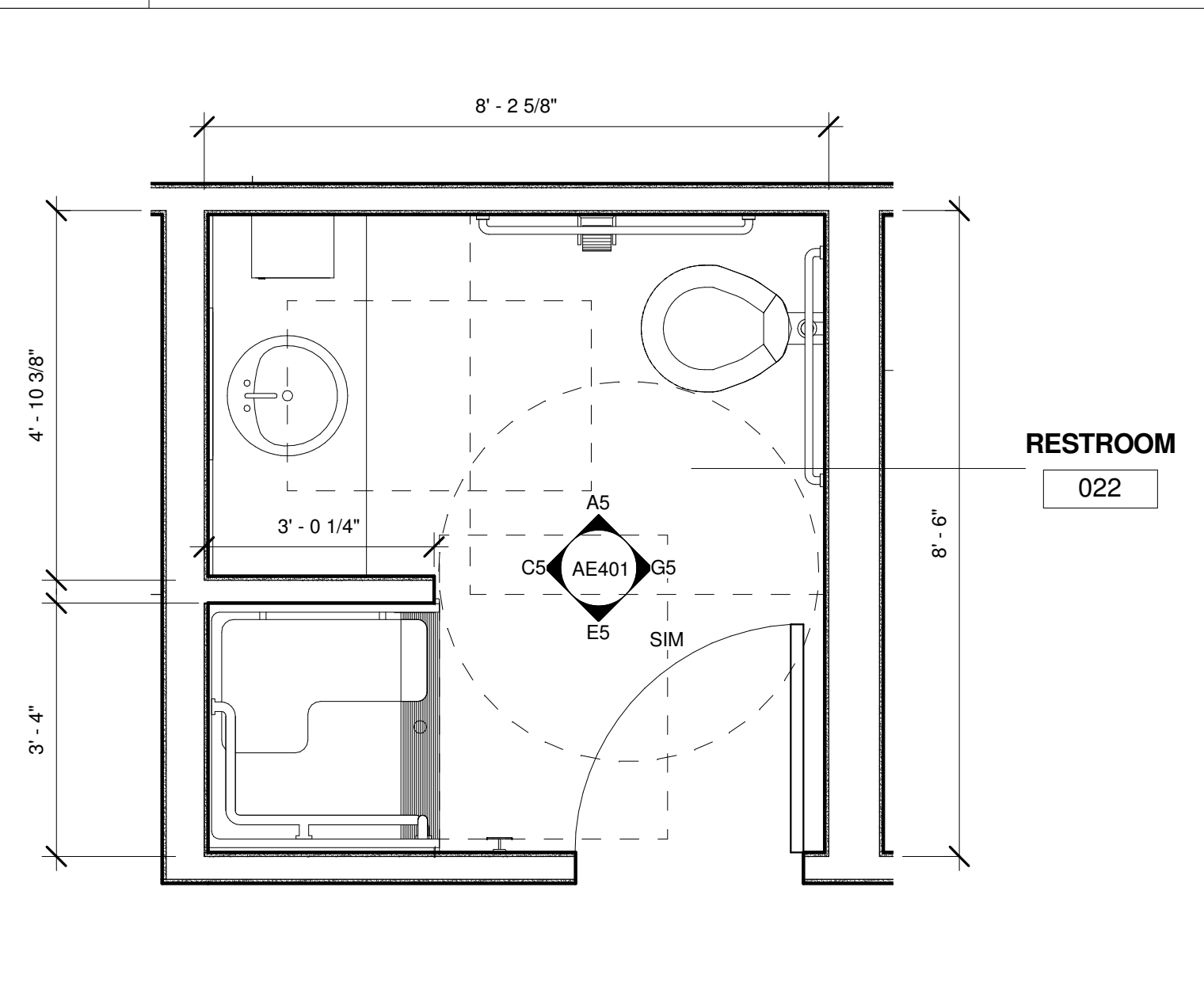


**E8 017 - WOMENS RESTROOM - EAST**  
1/4" = 1'-0"

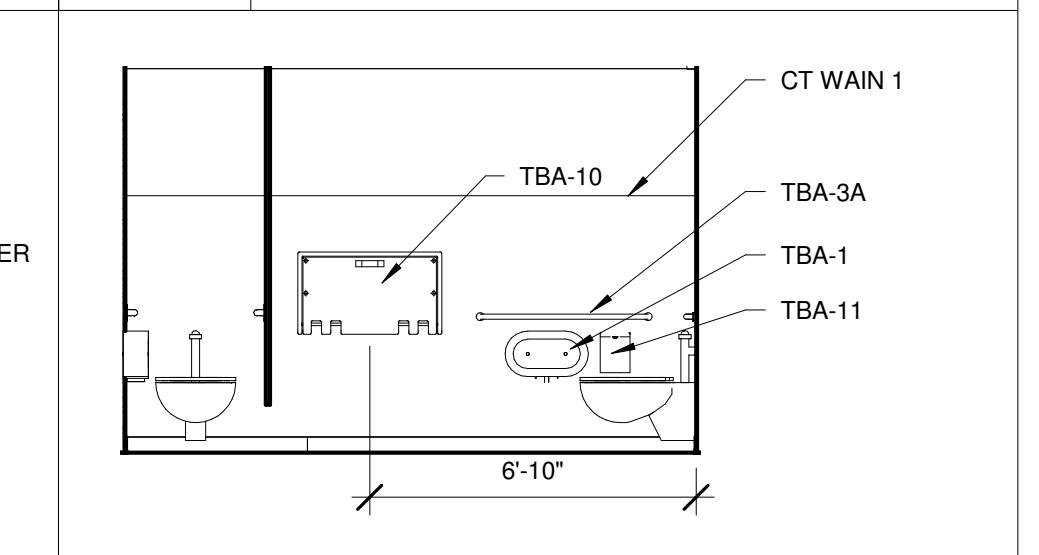


**E1 013 - RESTROOM**  
1/2" = 1'-0"

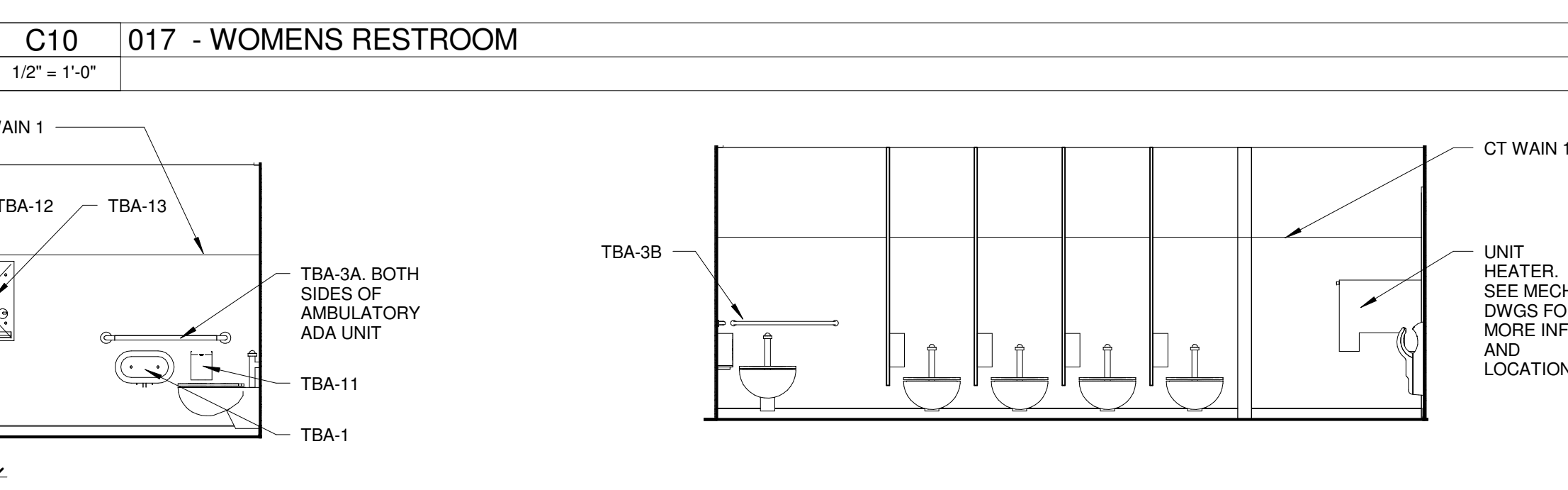
**E5 SINGLE USER RESTROOMS**  
1/4" = 1'-0"



**C5 SINGLE USER RESTROOMS**  
1/4" = 1'-0"



**C8 017 - WOMENS RESTROOM - WEST**  
1/4" = 1'-0"



**C10 017 - WOMENS RESTROOM**  
1/2" = 1'-0"

**A1 022 RESTROOM**  
1/2" = 1'-0"

**A5 SINGLE USER RESTROOMS**  
1/4" = 1'-0"

**A8 017 - WOMENS RESTROOM - SOUTH**  
1/4" = 1'-0"

**A12 017 - WOMENS RESTROOM - NORTH**  
1/4" = 1'-0"

REV.	DESCRIPTION	DATE
1	ADDENDUM NUMBER 1	13 JUNE 2016
0	ISSUED FOR CONSTRUCTION	06 JUNE 2016

**PROJECT NORTH**

**WBRC ARCHITECTS ENGINEERS**  
WWW.WBRCAE.COM  
BANGOR, MAINE 207-947-4511  
PORTLAND, MAINE 207-528-4511  
SARASOTA, FLORIDA 941-556-0757

**ASYLUM**

**ENLARGED RESTROOM PLANS & ELEVATIONS**

SHEET TITLE: AE401

PROJECT MANAGER: JRB  
DRAWN BY: ARW  
CHECKED BY: JLR

6/13/2016 11:12:26 AM C:\Users\alison.wyand\Documents\407110 - ASYLUM DANCE CLUB - ARCH\_alison.wyand.rvt