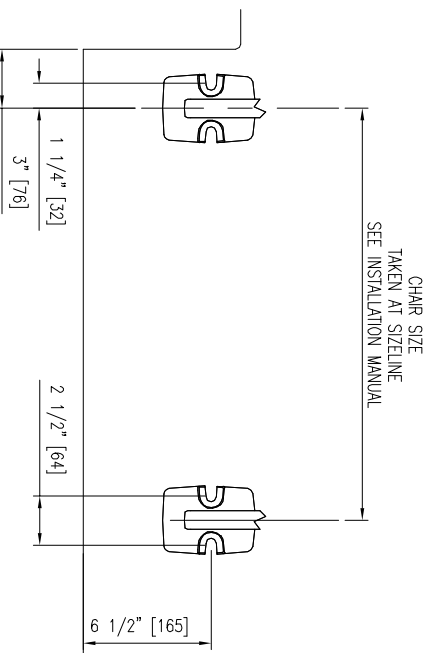
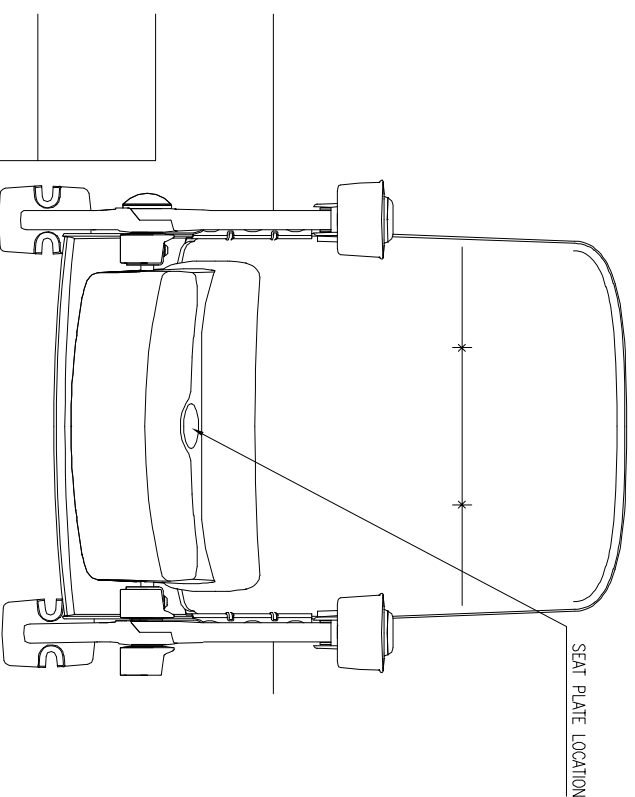
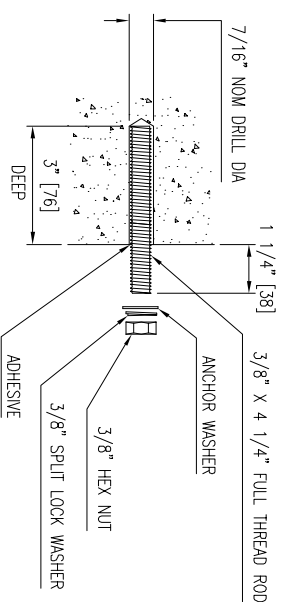


- A = BACK PITCH
- B = BACK HEIGHT
- C = UNOCCUPIED
- D = OCCUPIED
- E = CHAIR SEZELINE TO BACK
- F = MAXIMUM RISER HEIGHT
- G = FLOOR TO BOTTOM OF CUPHOLDER

A	21"	18"	15"
B	36" (914)	36 7/8" (937)	37 1/2" (953)
C	24 13/16" (630)	23 9/16" (598)	22 5/16" (567)
D	29" (737)	27 3/4" (705)	26 1/2" (673)
E	17 1/4" (438)	15 7/8" (403)	14 1/2" (368)
F	19 1/4" (489)	21 1/8" (537)	24" (610)
G			



**HIGH-RISE MOUNT ANCHOR BOLT LOCATIONS**



**RISER MOUNT ADHESIVE ANCHOR DETAIL**

**GENERAL NOTES:**

- ALL FLOORS, SLABS, AND RISERS CONSTRUCTED OF CONCRETE (PRE-CAST OR POURED) MUST MEET THE FOLLOWING CRITERIA:
  - FLOOR/SLAB MUST BE 4" [102] THICK MIN., WITH THE TOP 2" [51] CLEAR OF ANY OBSTRUCTIONS.(REBAR, MESHING, ETC.).
  - RISERS MUST BE 4 1/2" [114] THICK MIN., WITH THE FIRST 3" [76] ALONG THE FACE CLEAR OF ANY OBSTRUCTIONS (REBAR, MESHING, ETC.).
  - ALL CONCRETE MUST HAVE A MINIMUM STRENGTH OF 3,000 P.S.I. FOR NORMAL WEIGHT AGGREGATE AND 5,000 PSI FOR LIGHT WEIGHT AGGREGATE IN ORDER TO OBTAIN PROPER ANCHOR ATTACHMENT.
  - ALL STEEL FLOOR/RISERS MUST BE 1/4" [6] MIN TO 3/8" [10] MAX THICK GRADE A36 STEEL.
- ALL FLOORS CONSTRUCTED OF WOOD MUST BE A SOLID 1 1/2" [38] THICK MIN.
- ALL ROW LENGTHS INDICATED ON THE PLAN OF SEATING INCLUDE END SPACING AS STATED IN THIS DRAWING.
- T.B.D. = TO BE DETERMINED. (PLEASE SUPPLY INFO.)
- N/A = NOT APPLICABLE TO THIS JOB.
- ALL OFFSET PLATES AND SKID BRSES ARE GRAY.
- ALL SHIMS ARE BLACK.

**QUATTRO BACK DETAILS**

- SOFT SQUARE (S)  ROUNDED (R)
- OUTER PANEL:**
  - POLYMER (3)  VENEER (5)
  - LAMINATE (4)  UNPOLYSTERED (6)
- VENEER TYPE: N/A
- BACK COLOR: T.B.D.

**INNER PANEL:**

- WATERFALL (A)  HORIZONTAL PLEAT (B)
- QUILTED 1 (C)  QUILTED 2 (D)
- QUILTED 3 (E)  QUILTED 4 (F)
- FABRIC TYPE: T.B.D.
- FABRIC COLOR: T.B.D.

**QUATTRO SEAT DETAILS**

- LOW BACK (1)  HIGH BACK (H)
- 2" CUT FOAM (S2)  3" CUT FOAM (S3)
- CONTOURED FOAM (C)
- QUATTRO SEAT DETAILS**
  - STANDARD (3)  FULLY ENVELOPED (4)
  - STANDARD FOAM (S)  PULSH FOAM (P)
  - ULTRA PULSH FOAM
- WATERFALL (A)**
  - QUILTED 1 (C)  QUILTED 2 (D)
  - QUILTED 3 (E)  QUILTED 4 (F)
- FABRIC TYPE: T.B.D.
- FABRIC COLOR: T.B.D.
- PLASTIC COLOR: T.B.D.

**QUATTRO STANDARD DETAILS**

- CAST ALUMINUM (A)  STEEL (S)
- FLOOR MOUNT (FO-F4)
- HIGH RISE (HR)  LOW RISE (LR)
- LOGO (CAST ALUMINUM ONLY)
  - CAST LOGO  GRAPHIC LOGO
  - WITH ARM SUPPORT FOR FUTURE T/A
- QUANTITY: N/A
- STANDARD COLOR: T.B.D.
- ACCENT COLOR: T.B.D.
- ARMRESTS**
  - PLASTIC (P)  WOOD (W)  UNPOLYSTERED (U)
  - FRONT CUPHOLDER (FC)
  - REAR CUPHOLDER (RC)
- ADA EASY ACCESS  ADA AMBLESS
- ADA OTY: T.B.D.
- WOOD TYPE: N/A
- CAP COLOR: T.B.D.

**ACCESSORIES**

- SEAT #9  ROW LETTERS
- STANDARD  ALUMINUM  ECO GLOW
- BRASS DONOR PLATES PLATE OTY: N/A
- aisle lights 24V**
  - UPPER  LOWER
  - QUANTITY: N/A
- TABLET ARMS**

**TABLET ARMS ARE NOT AVAILABLE ON HIGH RISE STANCHIONS**

**END PANELS**

- QUATRO  SOFT SQUARE  ROUND
- PLASTIC LAMINATE  WOOD VENEER
- UNPOLYSTERED  NONE
- E/P OTY: N/A

**REMOVABLE BASSES**

- 1 CHAIR N/A
- 2 CHAIR N/A
- 3 CHAIR N/A
- VENEER TYPE: N/A
- E/P COLOR: N/A

- CAL-133 FIRE BARRIER**
- SPARES**

PLEASE SUPPLY:  
**CARR PACKAGE**

**ANCHORS**

- INDOOR  OUTDOOR
- CONCRETE  STEEL  OTHER
- BY HUSSEY

**ASYLUM  
THEATER  
PORTLAND, ME**

**YOUR PARTNER FOR SEATING SOLUTIONS**  
38 DYER STREET EXT.  
NORTH BERWICK, ME. 03906  
TELEPHONE: (207) 676-2271 FAX: (207) 676-9815

The layout shown is drawn per Hussey Seating Company's interpretation of:  
IBC 2012  
If the applicable code is different from the stated code please provide correct code information.

REV	DATE	DESCRIPTION
1	5/18	NO CHANGES TO THIS SHEET
2	5/10	NO CHANGES TO THIS SHEET
3	5/6	NO CHANGES TO THIS SHEET
4	5/4	NO CHANGES TO THIS SHEET
5	4/26	THIS SHEET STANCHIONS FRONT-CUP-HOLDERS ORIGINAL
0	4/26	FRONT-CUP-HOLDERS ORIGINAL

DEALER: ROBERT H LORD COMPANY  
DRAWN BY: PGM/ARK  
CHECKED BY:  
SHEET TITLE: QUATTRO CLASSIC SERIES  
MODEL NO. 33H3A  
HUSSEY ORDER NO. FILE NAME:  
0348684-1 (PROPOSAL OPT-1-AB) D101  
SHEET NO.: 4 of 4

**QUATTRO CLASSIC SERIES  
MODEL NO. 33H3A**

FSC MIX

HUSSEY SEATING COMPANY STRIVES TO CONTINUOUSLY IMPROVE ITS PRODUCT AND MANUFACTURING METHODS. THE COMPANY RESERVES THE RIGHT TO MAKE CHANGES WITHOUT NOTICE WHEN, IN THE OPINION OF THE COMPANY, SUCH CHANGES IMPROVE THE PRODUCT OR ITS PERFORMANCE.