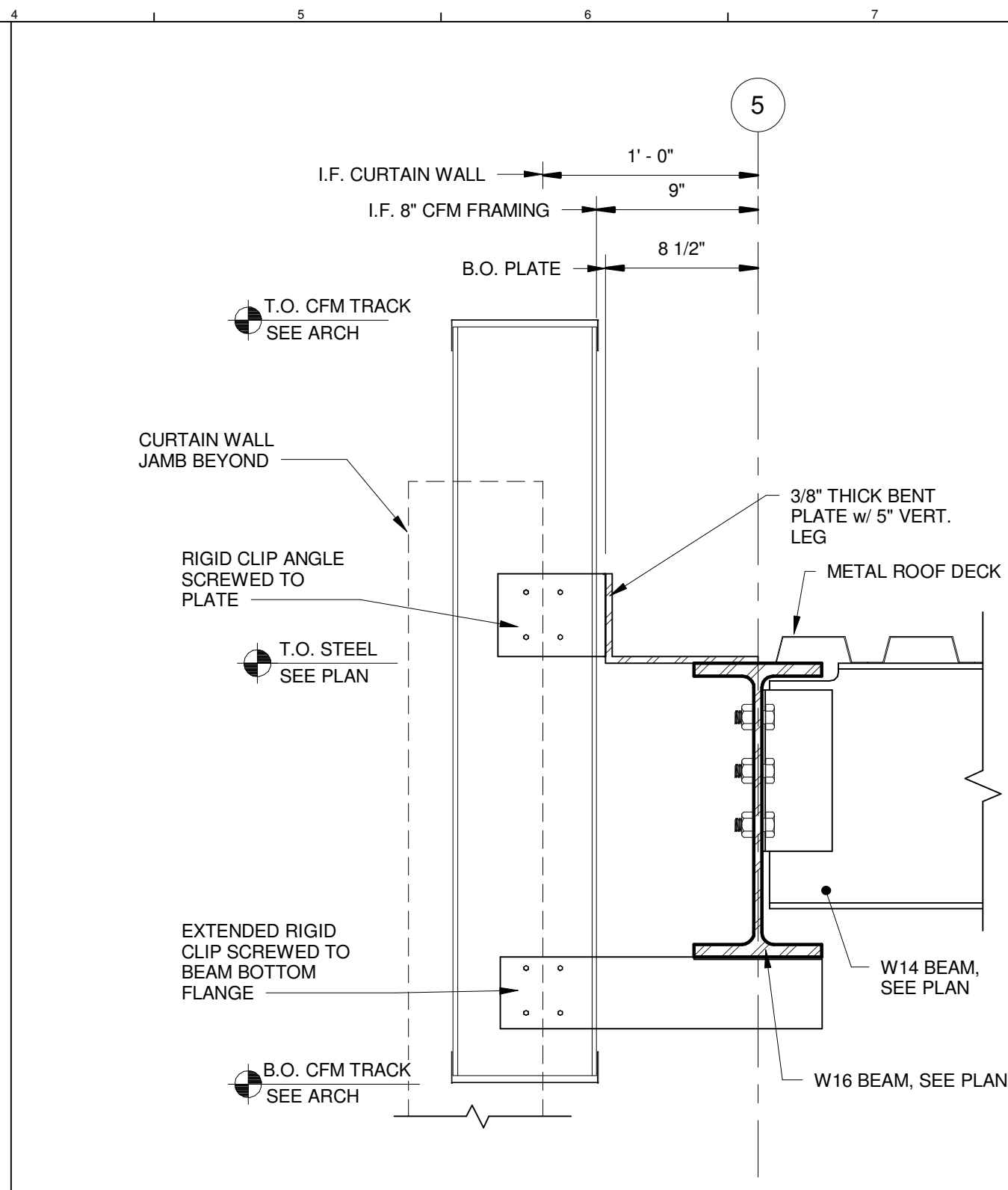
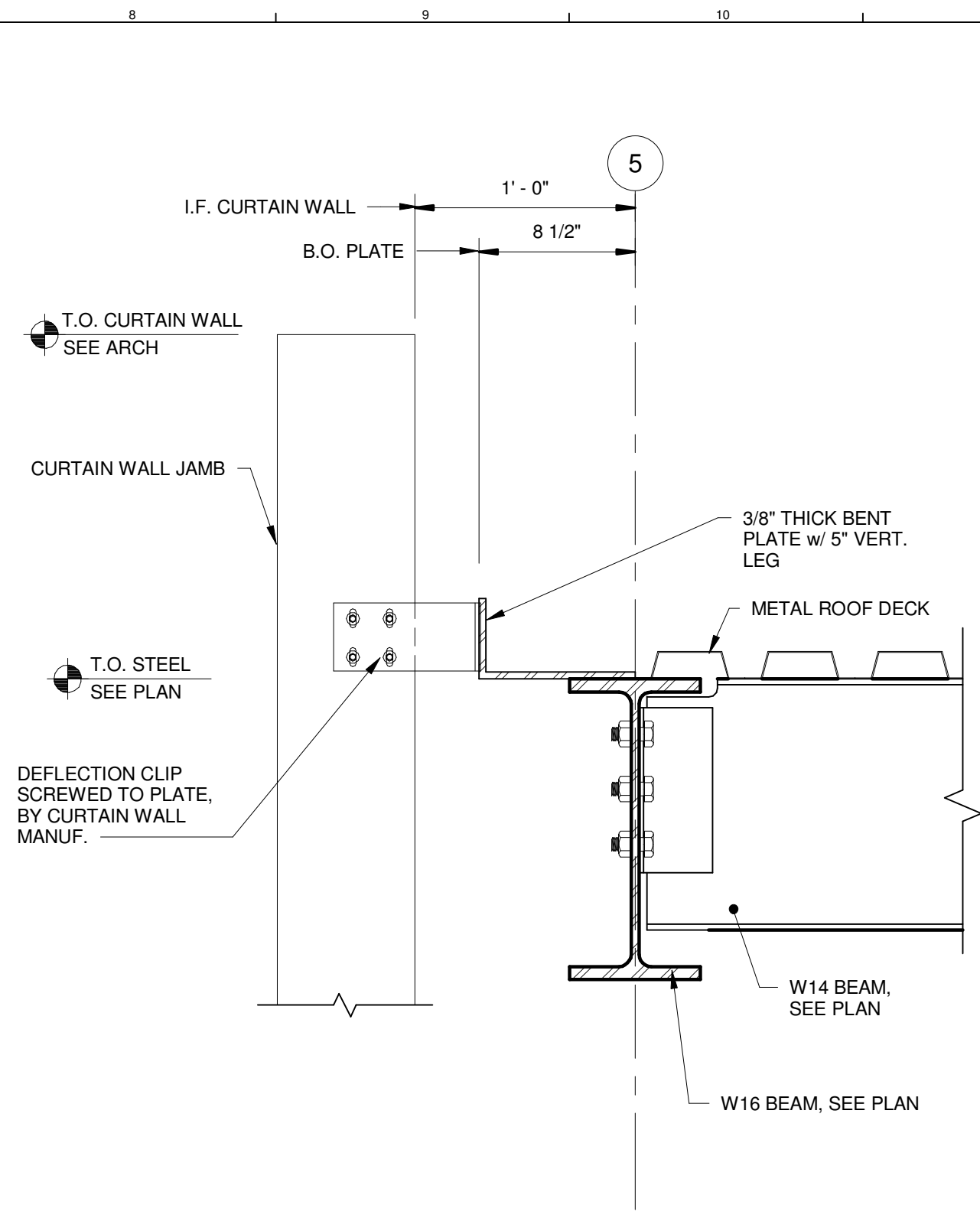


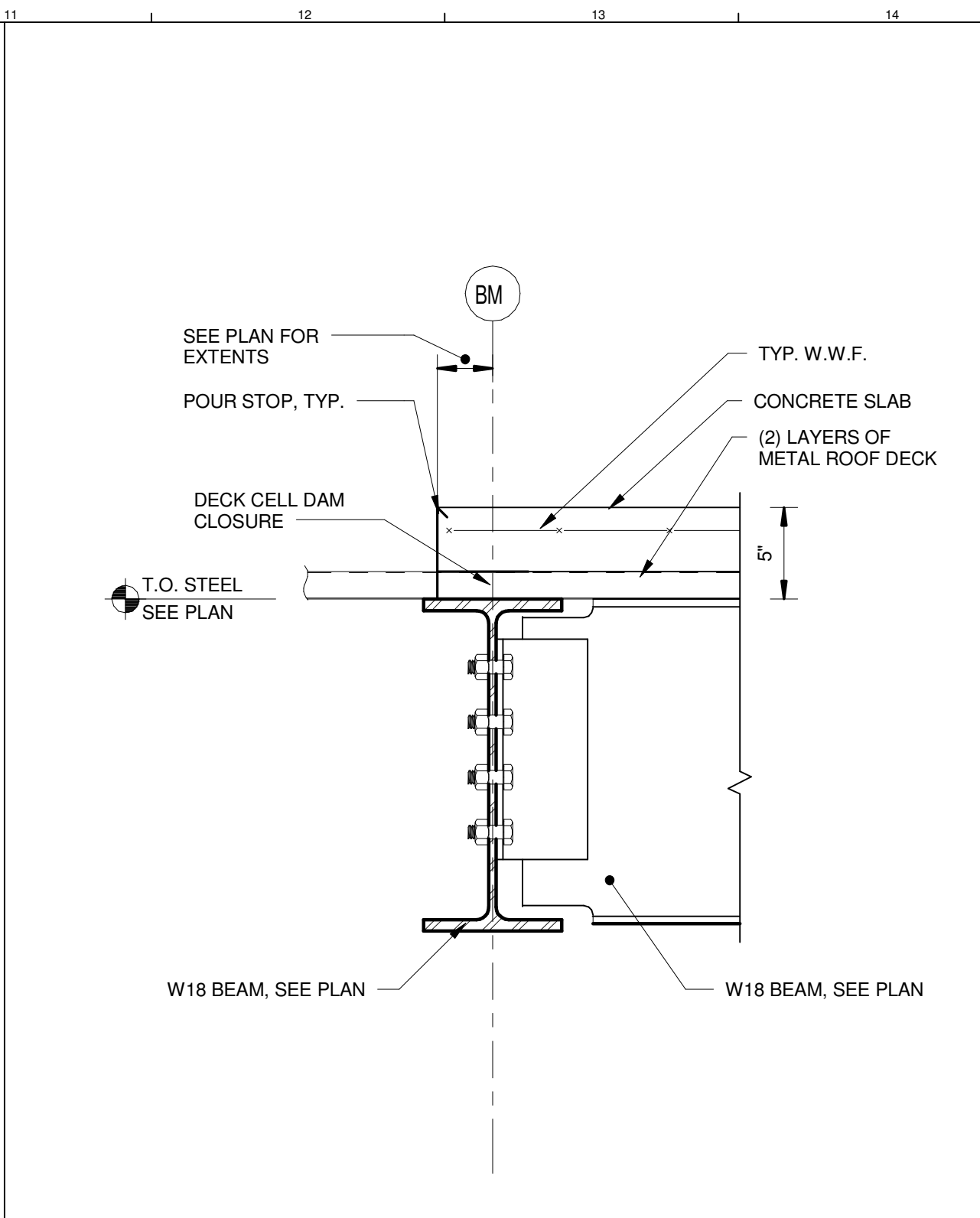
**H1 SECTION**  
1 1/2" = 1'-0"



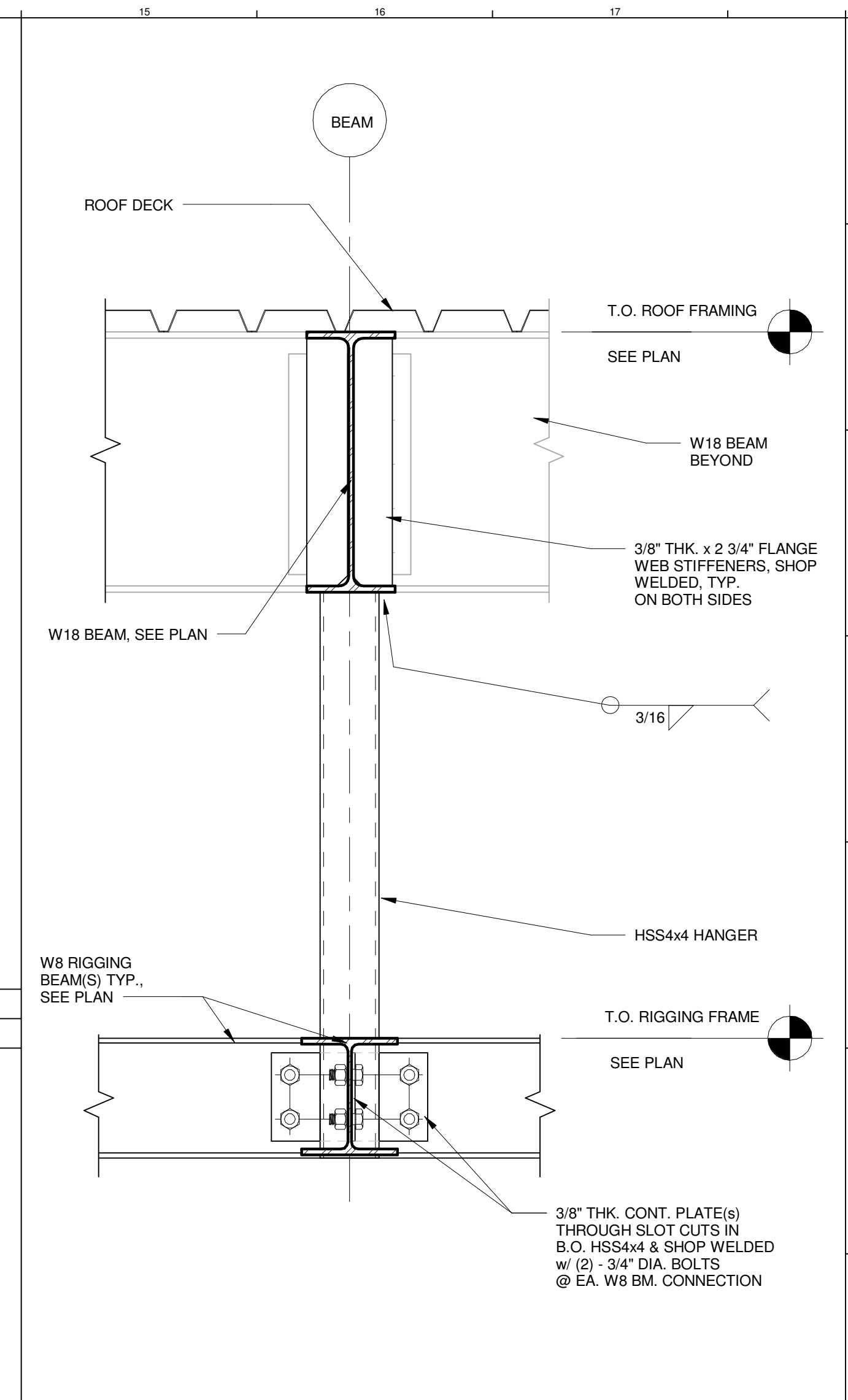
**H4 SECTION**  
1 1/2" = 1'-0"



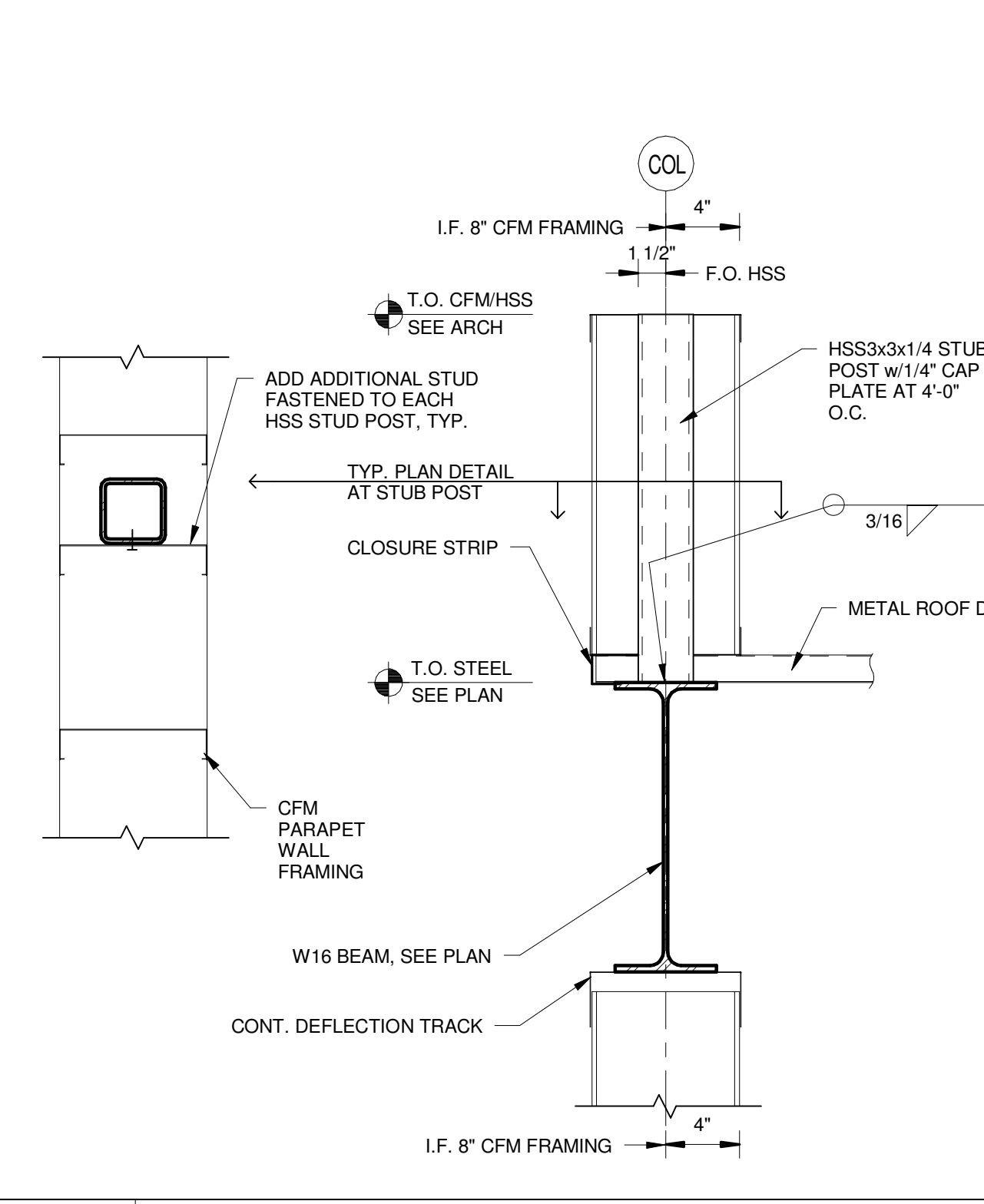
**H7 SECTION**  
1 1/2" = 1'-0"



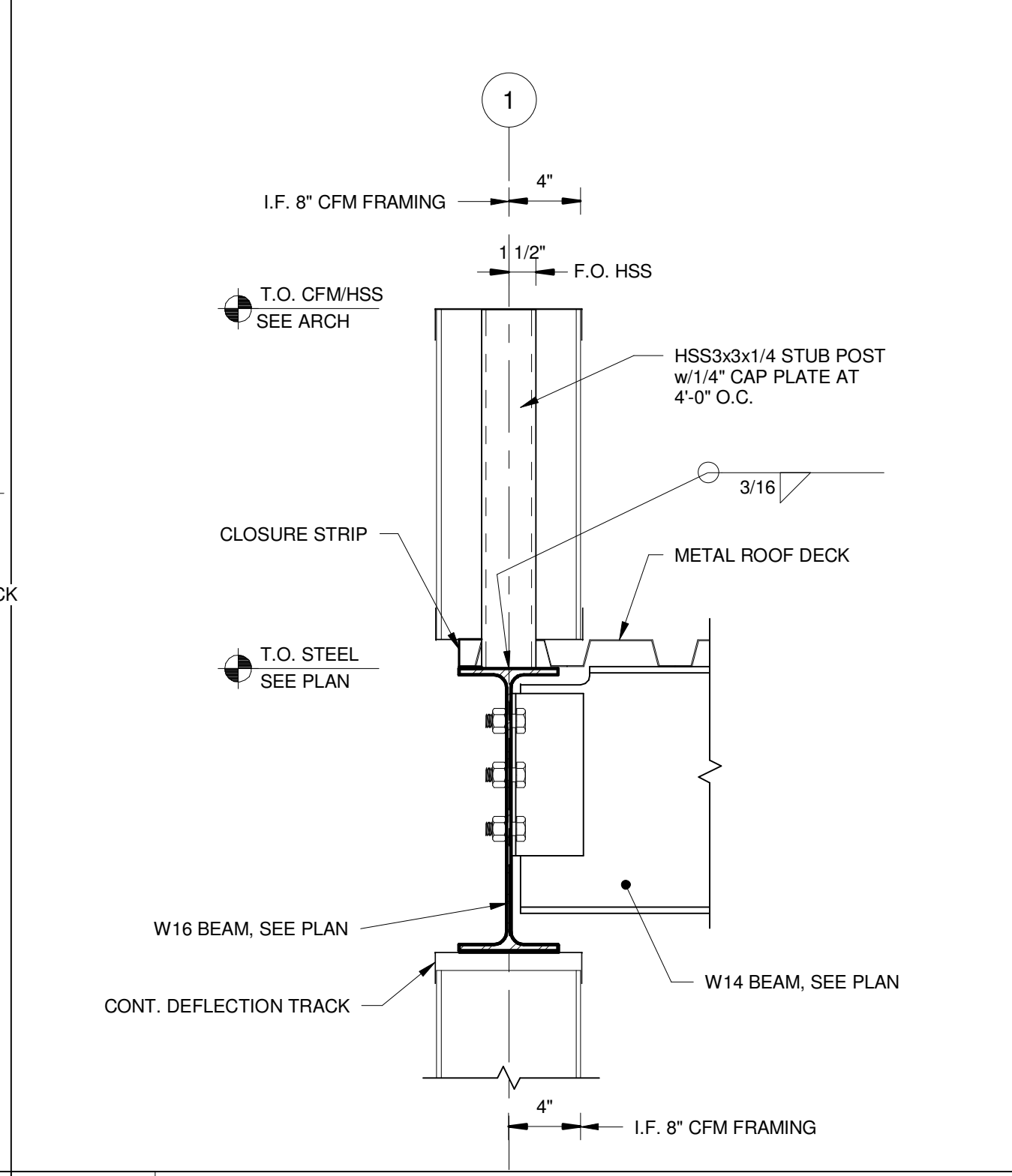
**H11 SECTION**  
1 1/2" = 1'-0"



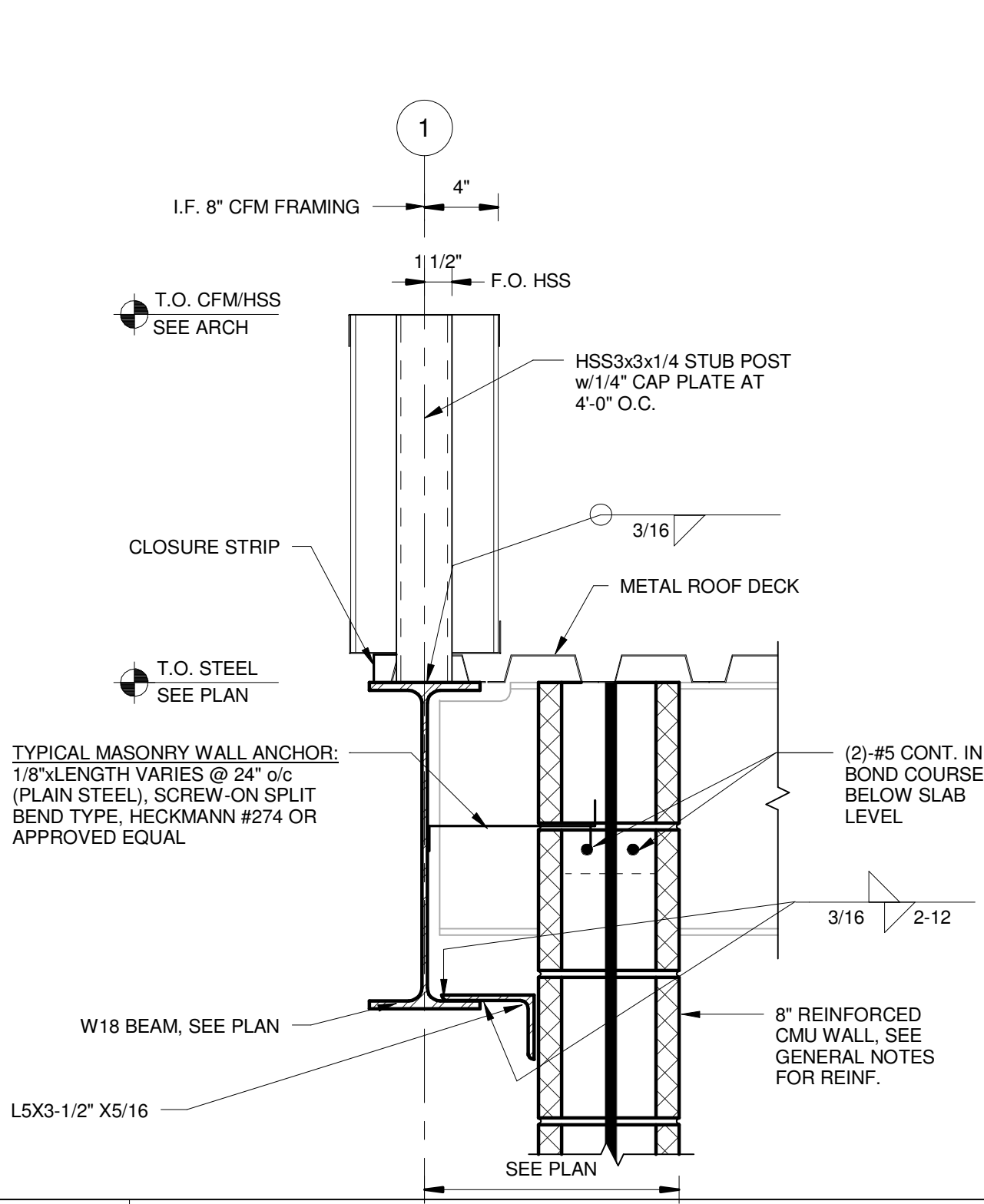
**F14 SECTION**  
1 1/2" = 1'-0"



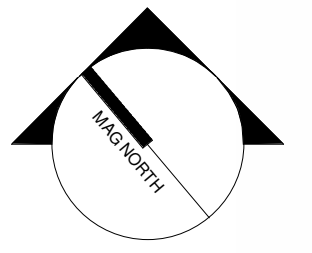
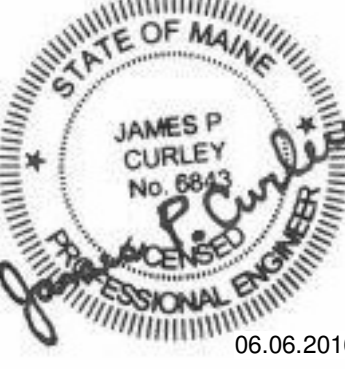
**C1 SECTION**  
1 1/2" = 1'-0"



**C4 SECTION**  
1 1/2" = 1'-0"



**C7 SECTION**  
1 1/2" = 1'-0"

0	ISSUED FOR BID	06 JUNE 2016
REV.	DESCRIPTION	DATE
 		
PROJECT NORTH		
<b>WBRC</b> ARCHITECTS • ENGINEERS WWW.WBRCAE.COM BANGOR, MAINE 207-947-4511 PORTLAND, MAINE 207-838-4511 SARASOTA, FLORIDA 341-356-0757		
PROJECT: <b>ASYLUM</b>		
SHEET TITLE: <b>FRAMING SECTIONS AND DETAILS</b>		
WBRC CAD FILE: C:\Users\jrb\Documents\40710 - ASYLUM DANCE CLUB - STRUCT - 30606.dwg		
PROJECT No: 4071.10	GRAPHIC SCALE: 0" = 1"	
SCALE: 1 1/2" = 1'-0"	SHEET No: <b>S-506</b>	
PROJECT MANAGER: JRB	DRAWN BY: ADG/RAD/JHW	
CHECKED BY: JPC		