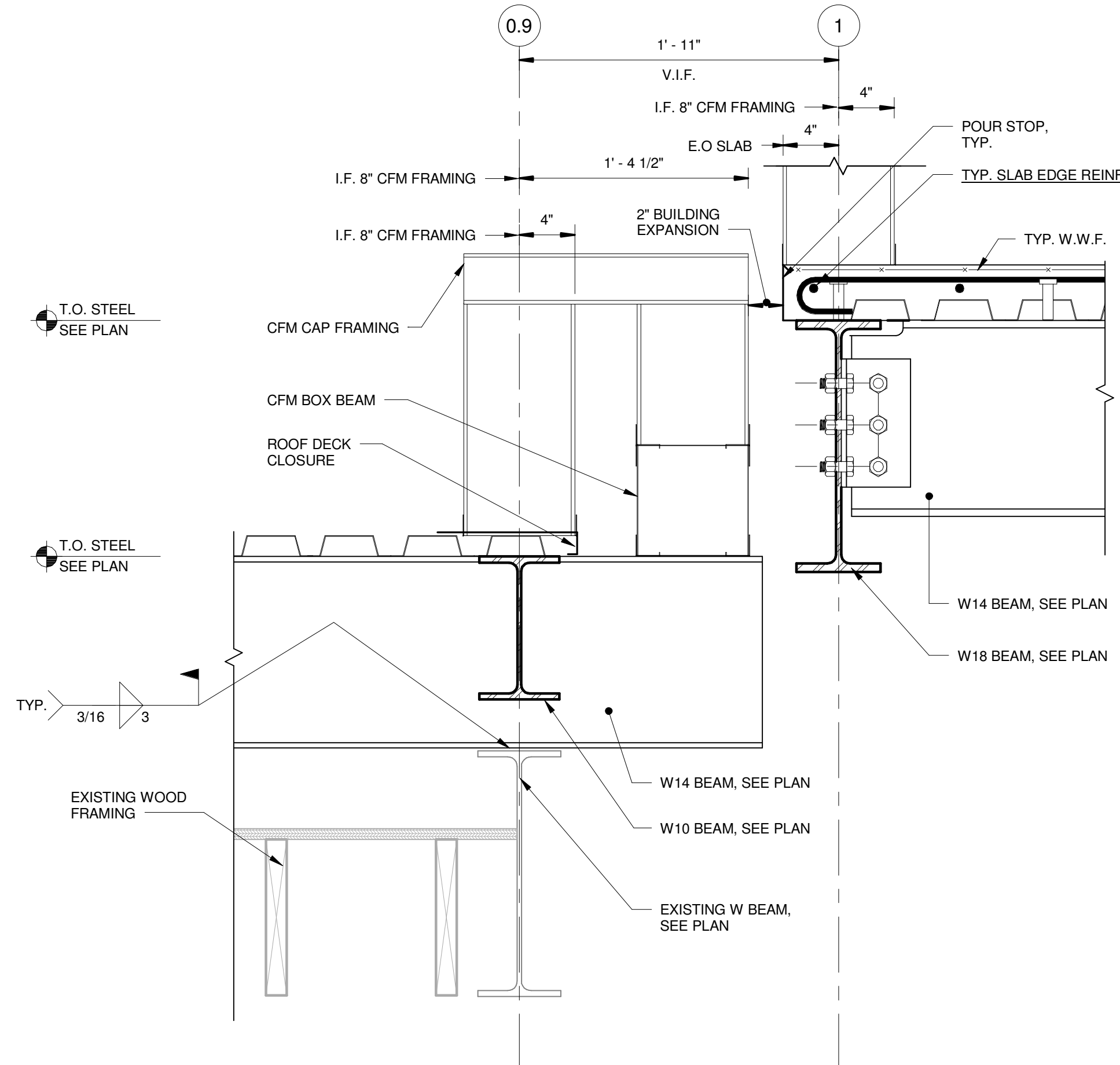


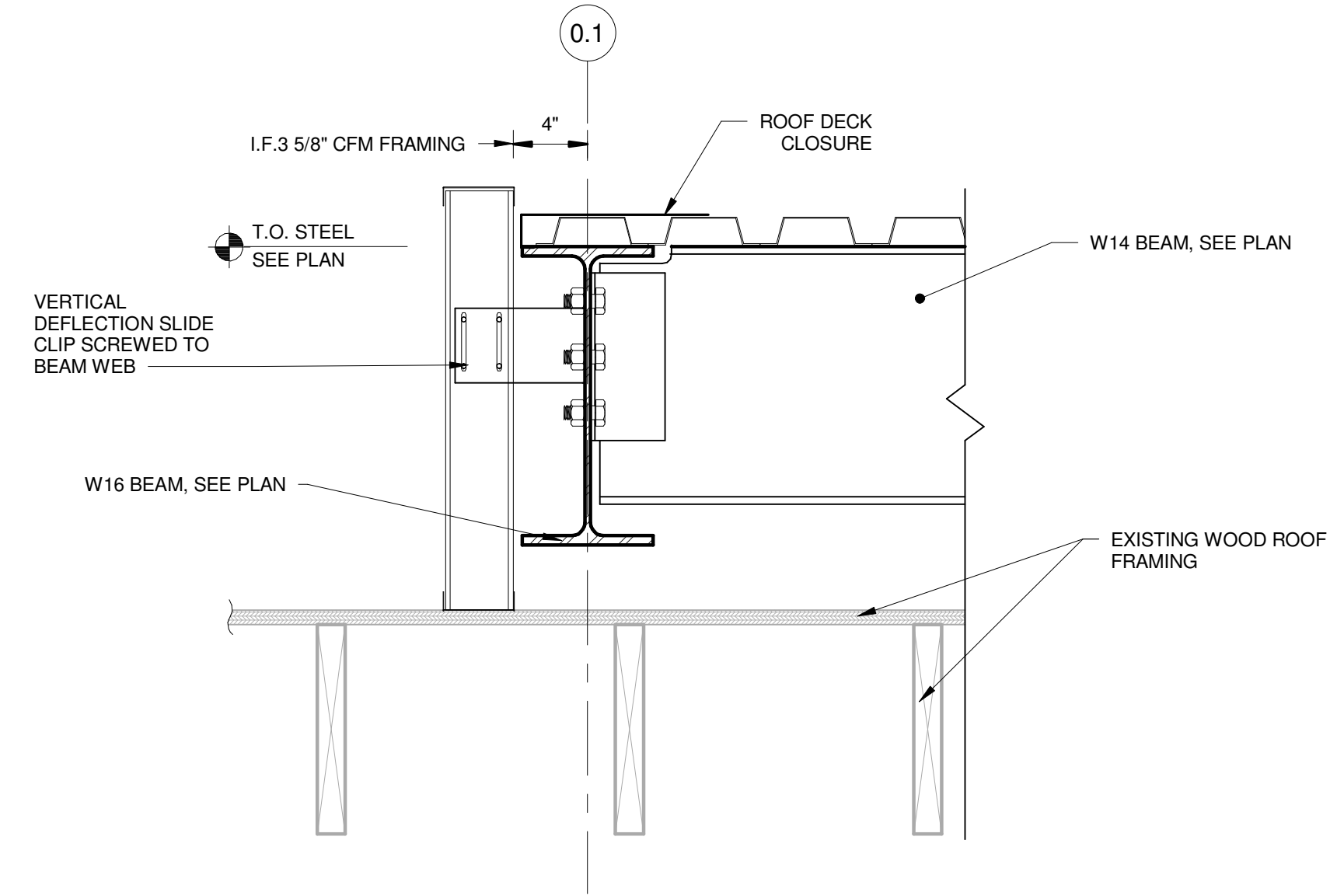
H1 SECTION

1 1/2" = 1'-0"



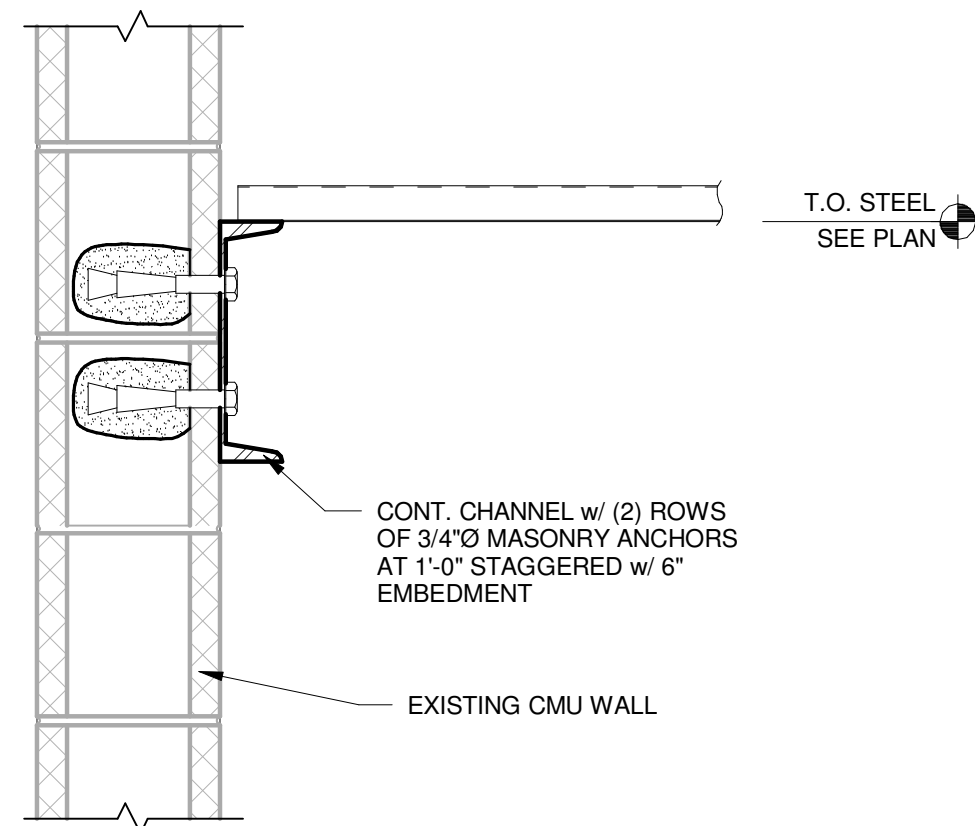
H6 SECTION

1 1/2" = 1'-0"



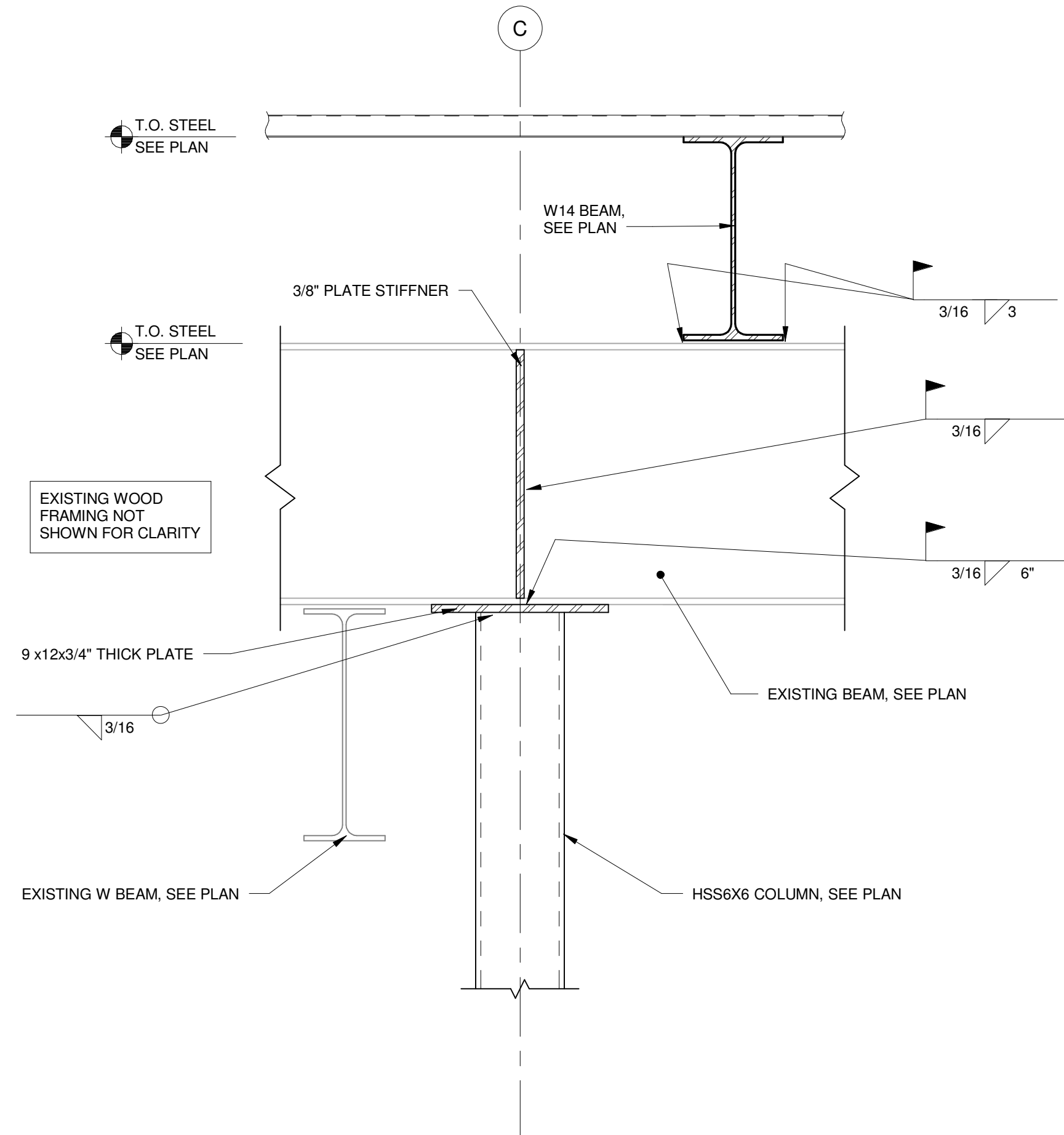
H12 SECTION

1 1/2" = 1'-0"



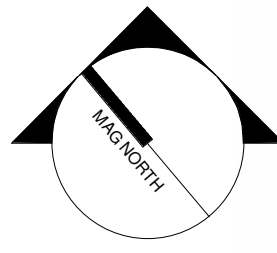
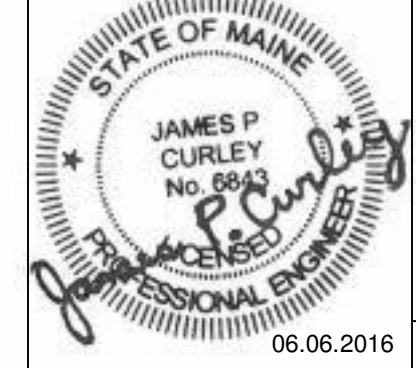
D1 SECTION

1 1/2" = 1'-0"



A4 SECTION

1 1/2" = 1'-0"

0	ISSUED FOR BID	06 JUNE 2016
REV.	DESCRIPTION	DATE
 		
PROJECT NORTH		
<p>WBRC ARCHITECTS • ENGINEERS</p> <p>WWW.WBRCAE.COM BANGOR, MAINE 207-947-4511 PORTLAND, MAINE 207-838-4511 SARASOTA, FLORIDA 341-556-0757</p>		
PROJECT: ASYLUM		
SHEET TITLE: FRAMING SECTIONS AND DETAILS		
WBRC CAD FILE: C:\Users\jrb\Documents\40710 - ASYLUM DANCE CLUB - STRUCT_30606.rvt		
PROJECT No: 4071.10	GRAPHIC SCALE: 0" = 1"	
SCALE: 1 1/2" = 1'-0"	PROJECT MANAGER: JRB	
DRAWN BY: ADG/RAD/JHW	SHEET No: S-504	
CHECKED BY: JPC		