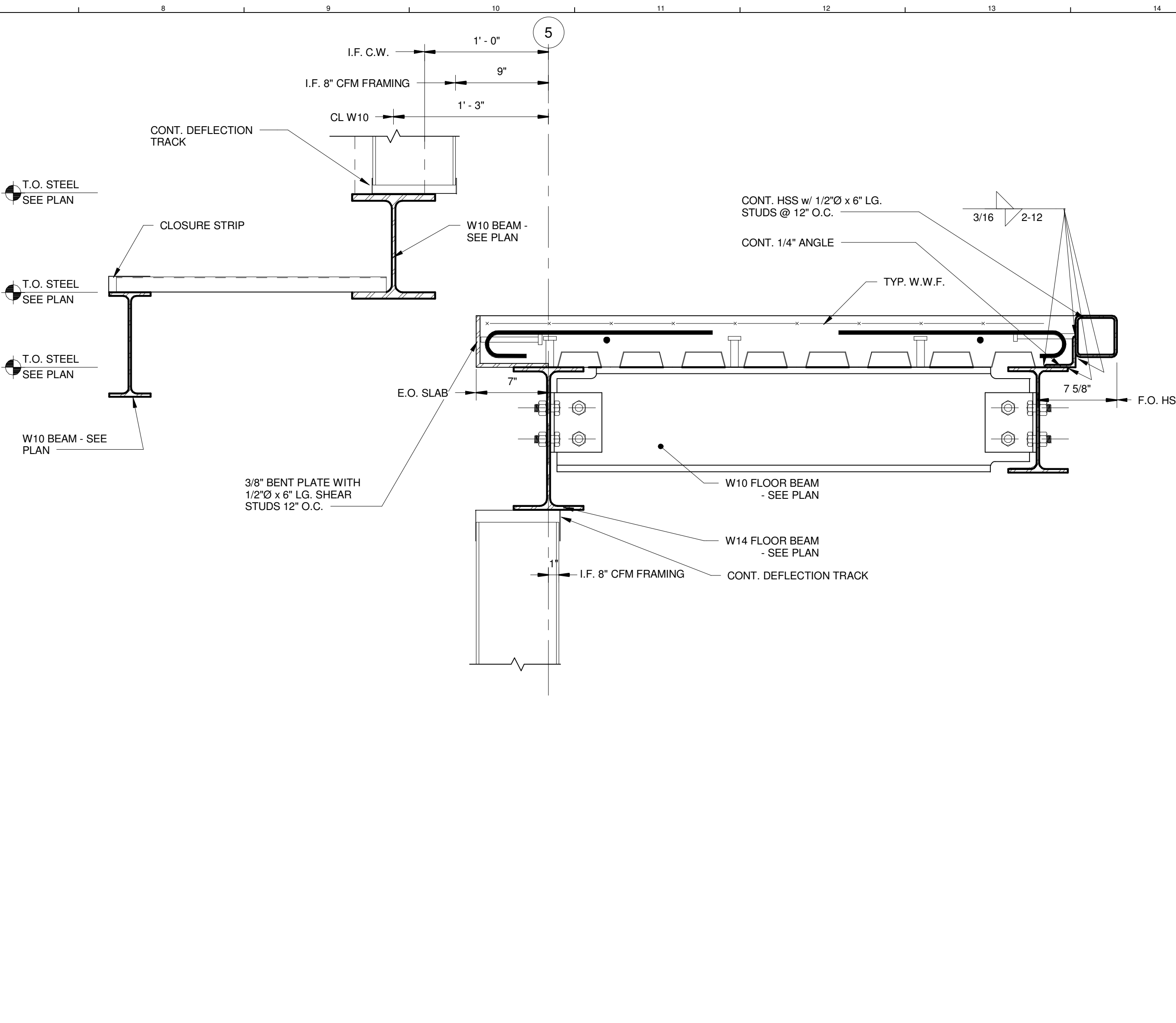
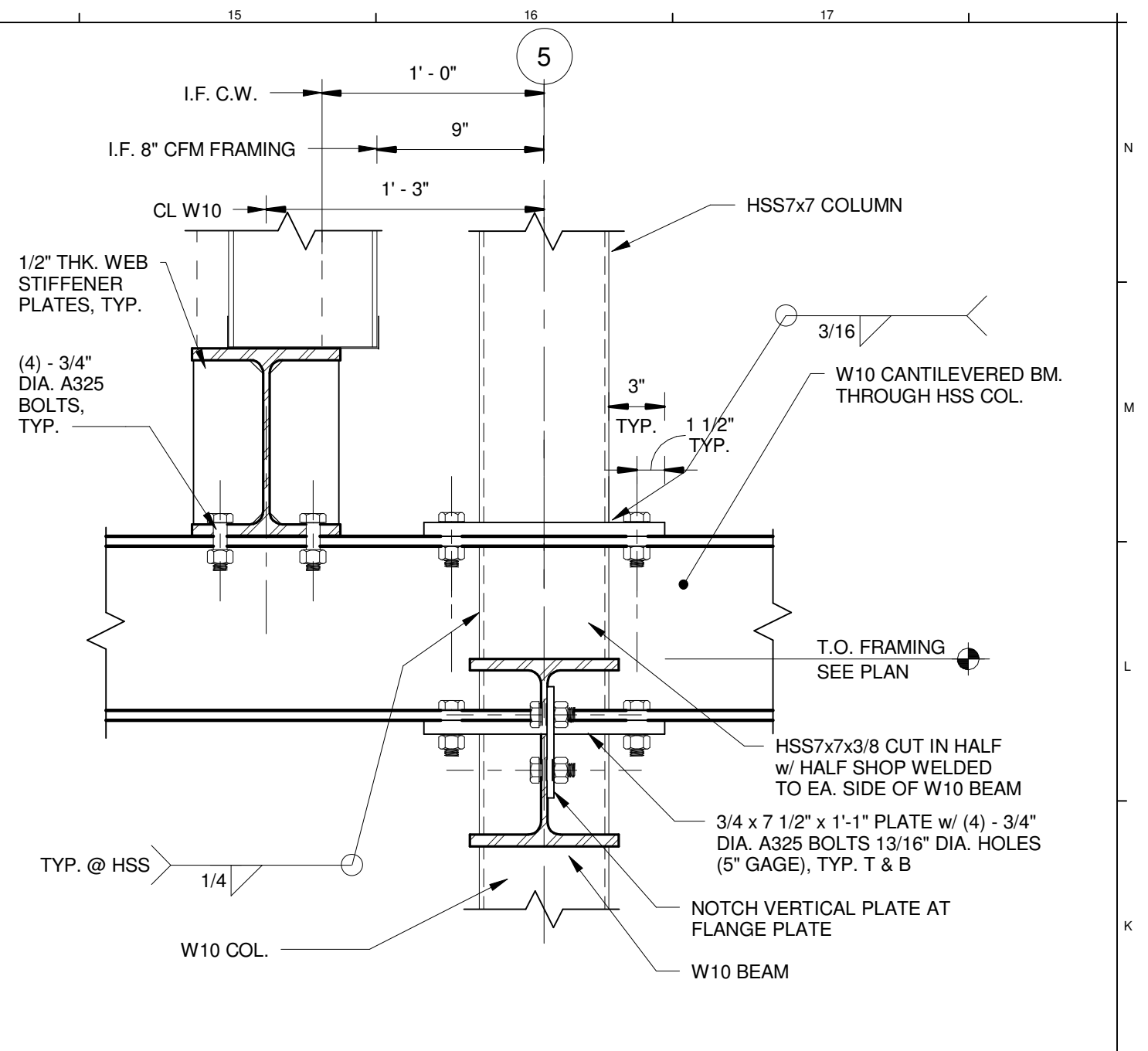


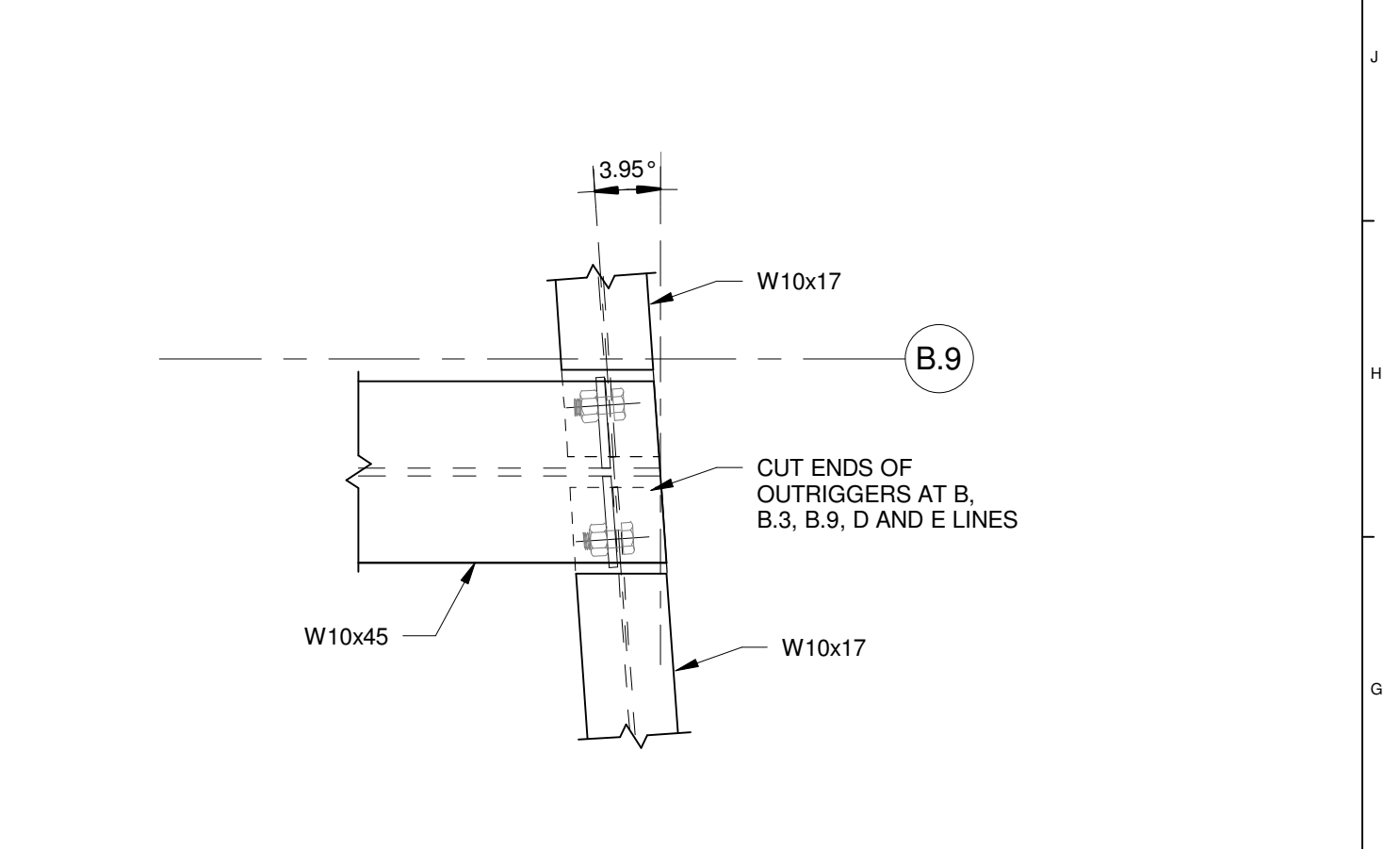
**F1 SECTION**  
1 1/2" = 1'-0"



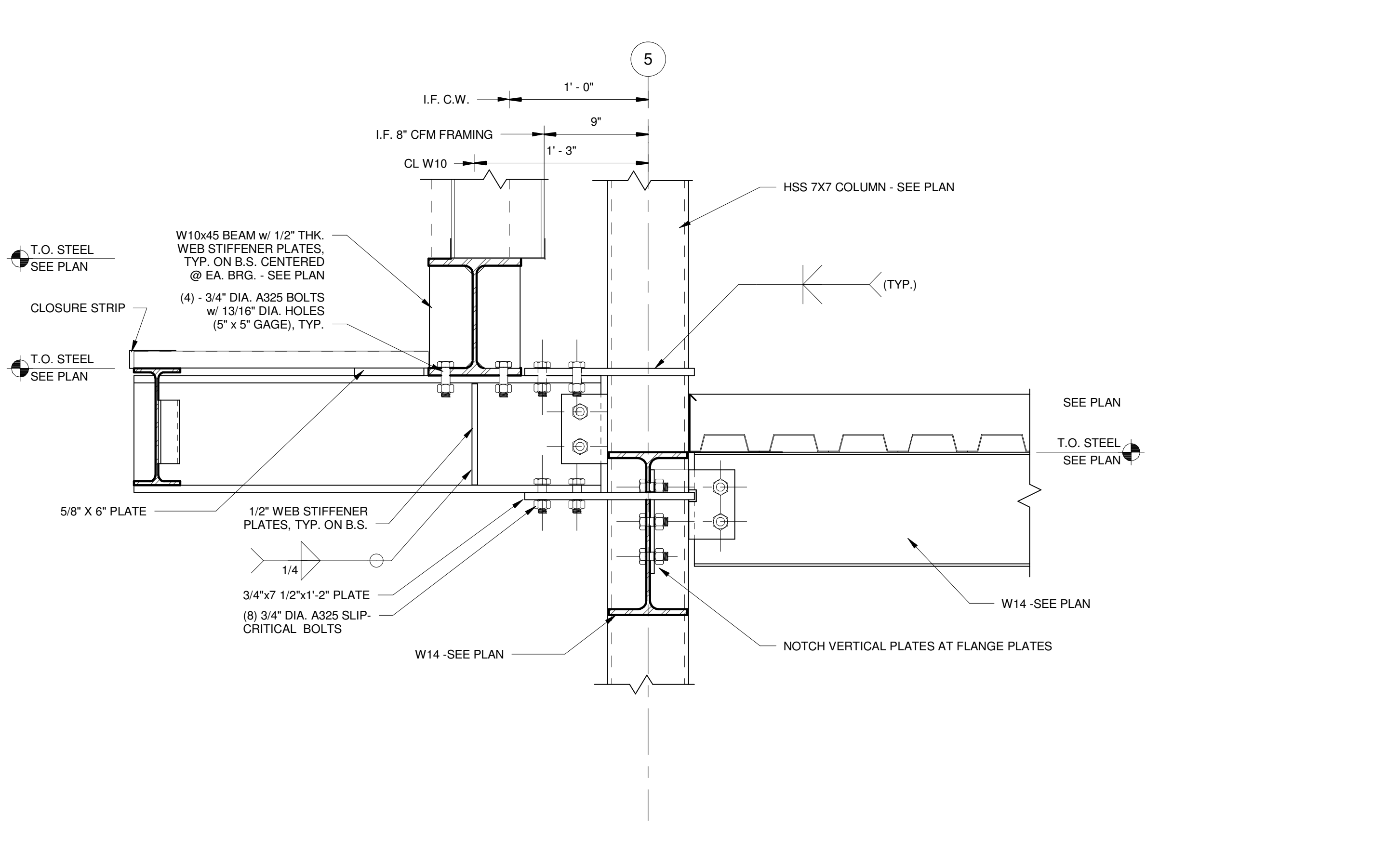
**F7 SECTION**  
1 1/2" = 1'-0"



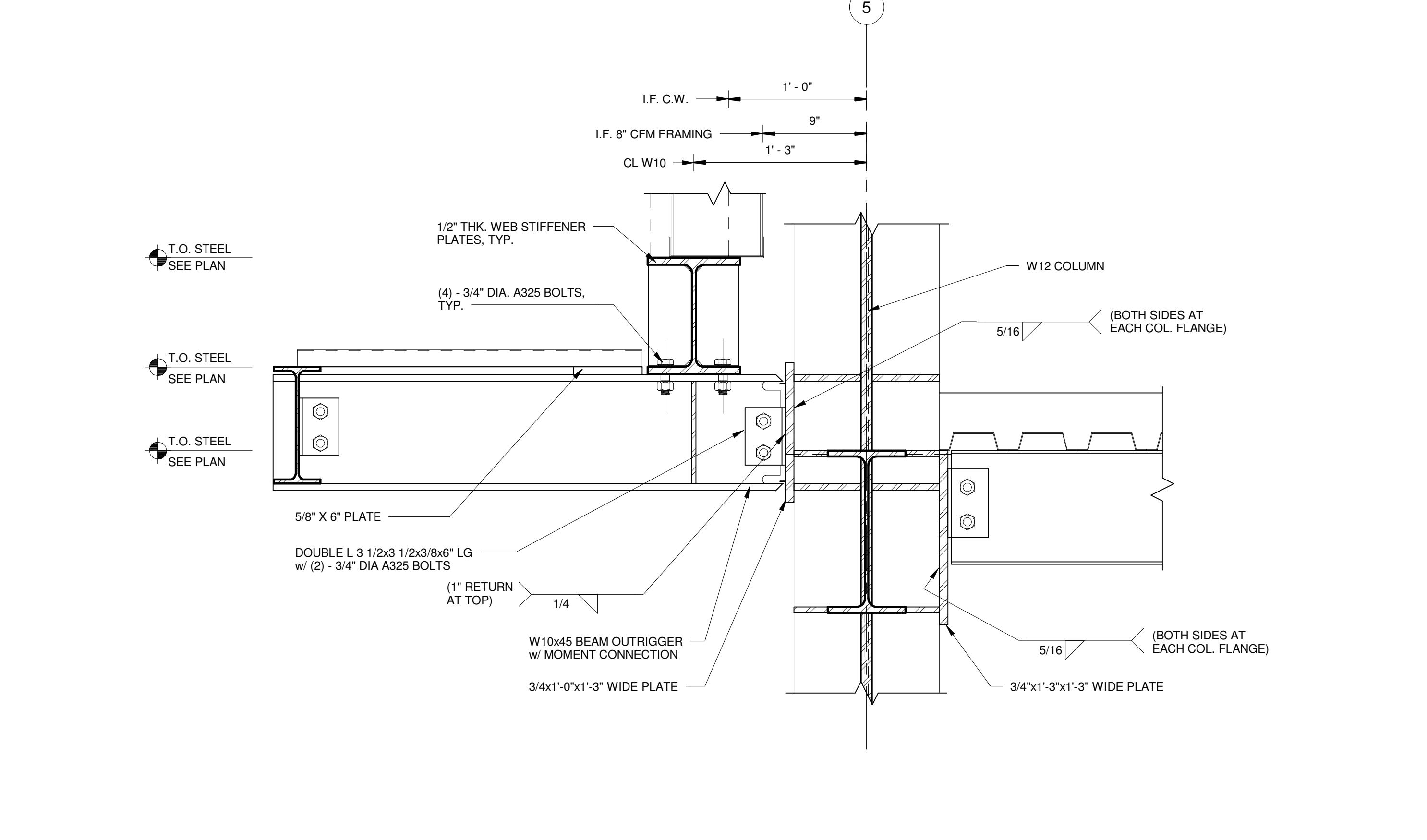
**J14 SECTION**  
1 1/2" = 1'-0"



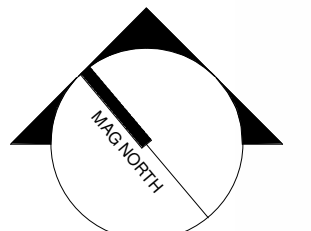

**F14 SECTION**  
1 1/2" = 1'-0"



**A1 SECTION**  
1 1/2" = 1'-0"



**A8 SECTION**  
1 1/2" = 1'-0"

0	ISSUED FOR BID	06 JUNE 2016
REV.	DESCRIPTION	DATE
 		
<b>WBRC</b> ARCHITECTS • ENGINEERS WWW.WBRCAE.COM BANGOR, MAINE 207-947-4511 PORTLAND, MAINE 207-838-4511 SARASOTA, FLORIDA 341-356-0757		
<b>ASYLUM</b>		
<b>FRAMING SECTIONS AND DETAILS</b>		
SHEET TITLE:		
WBRC CAD FILE: C:\Users\jpc\Documents\40710 - ASYLUM DANCE CLUB - STRUCT_30606.rvt		
PROJECT No: 4071.10		GRAPHIC SCALE: 0" = 1"
SCALE: 1 1/2" = 1'-0"		
PROJECT MANAGER: JRB		SHEET No:
DRAWN BY: ADG/RAD/JHW		<b>S-503</b>
CHECKED BY: JPC		