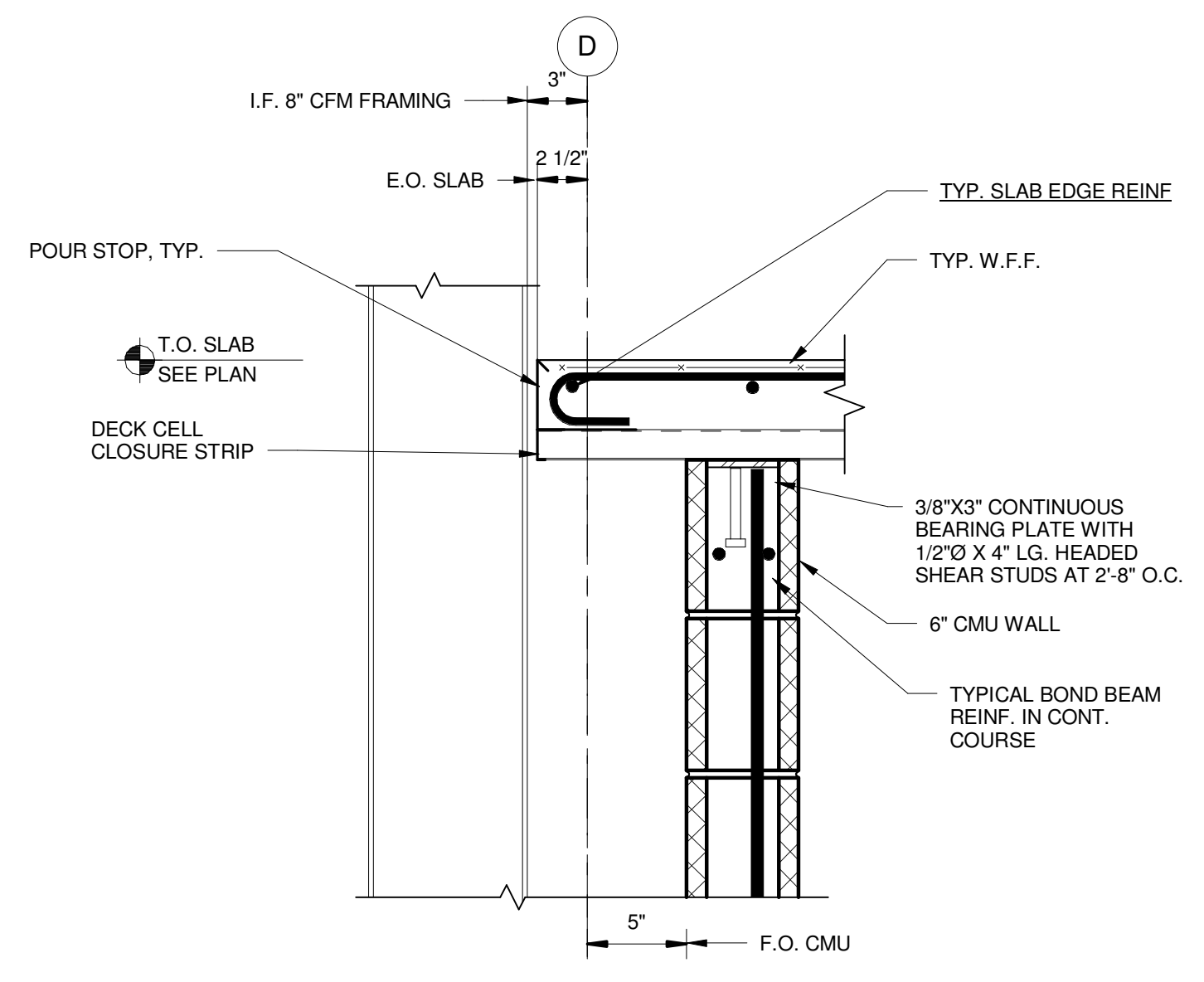
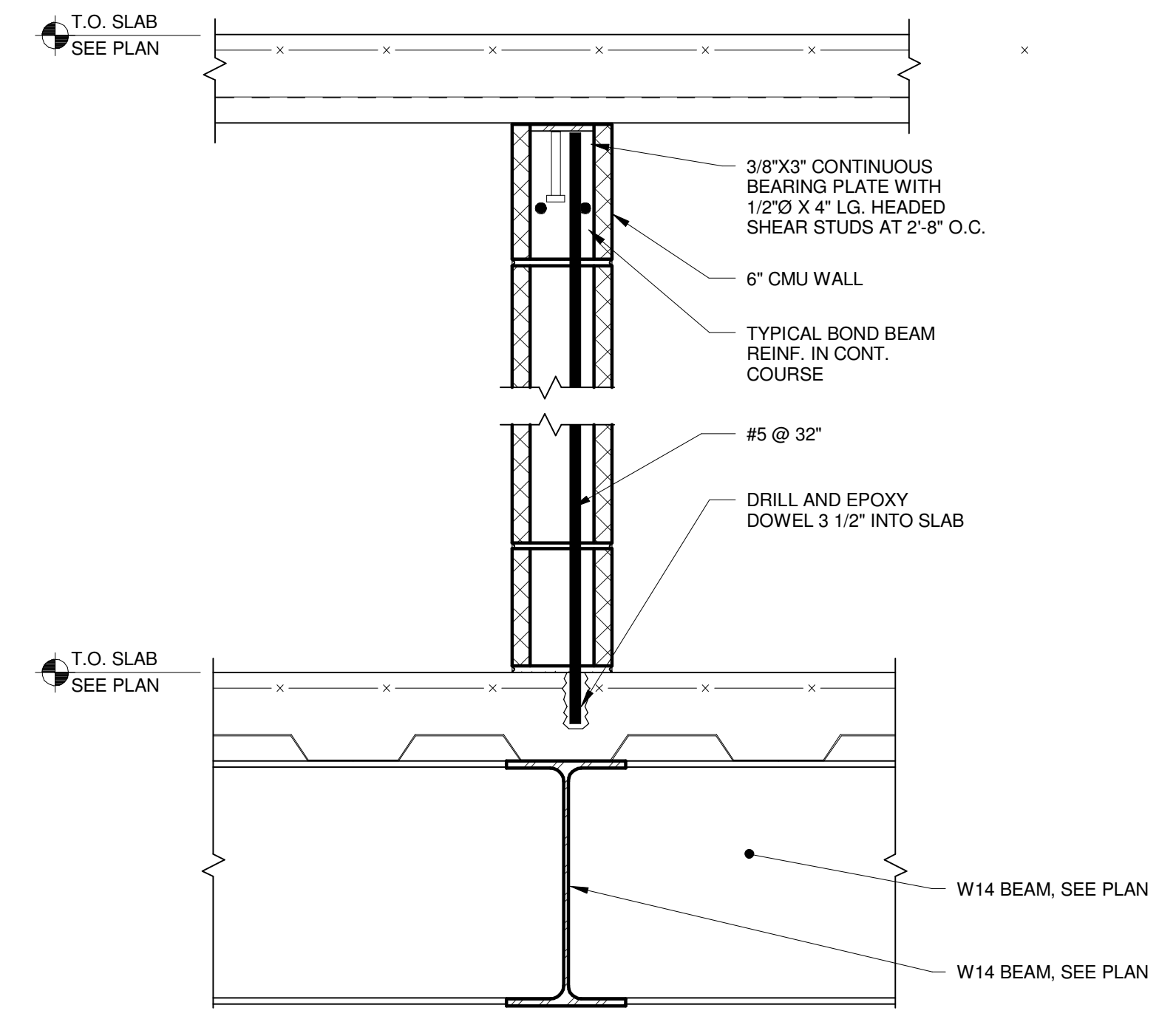


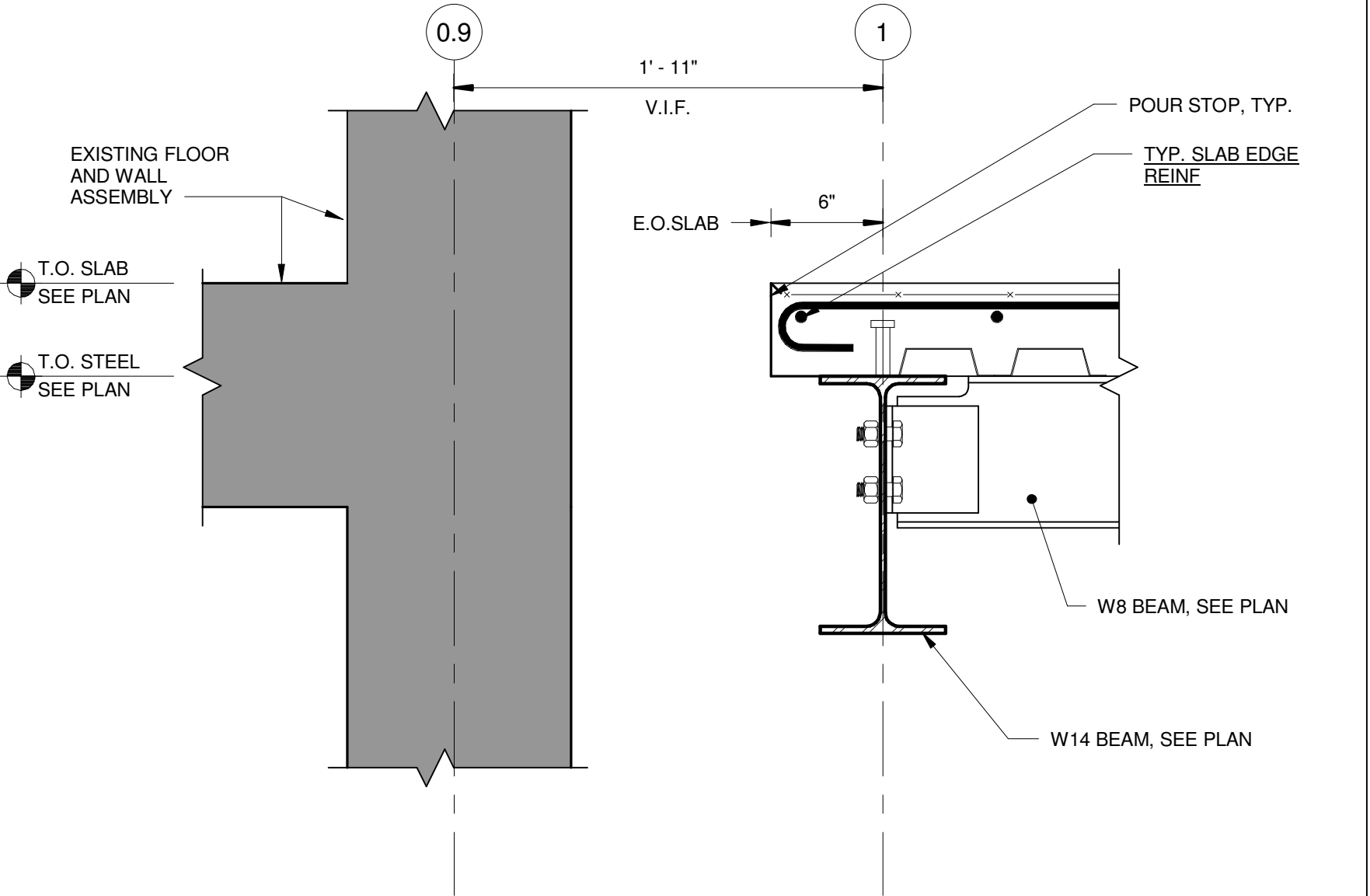
J1 SECTION
1 1/2" = 1'-0"



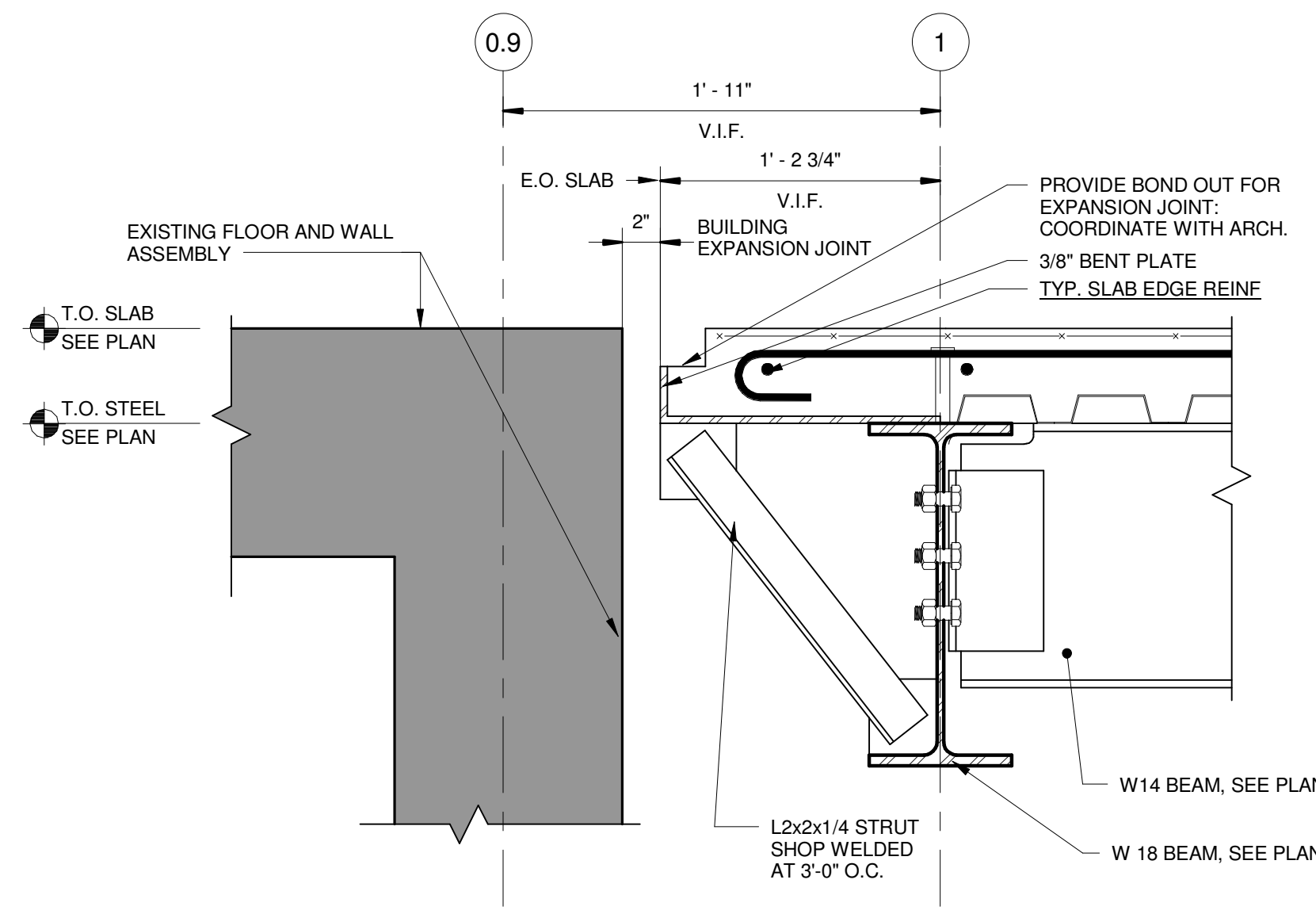
J5 SECTION
1 1/2" = 1'-0"



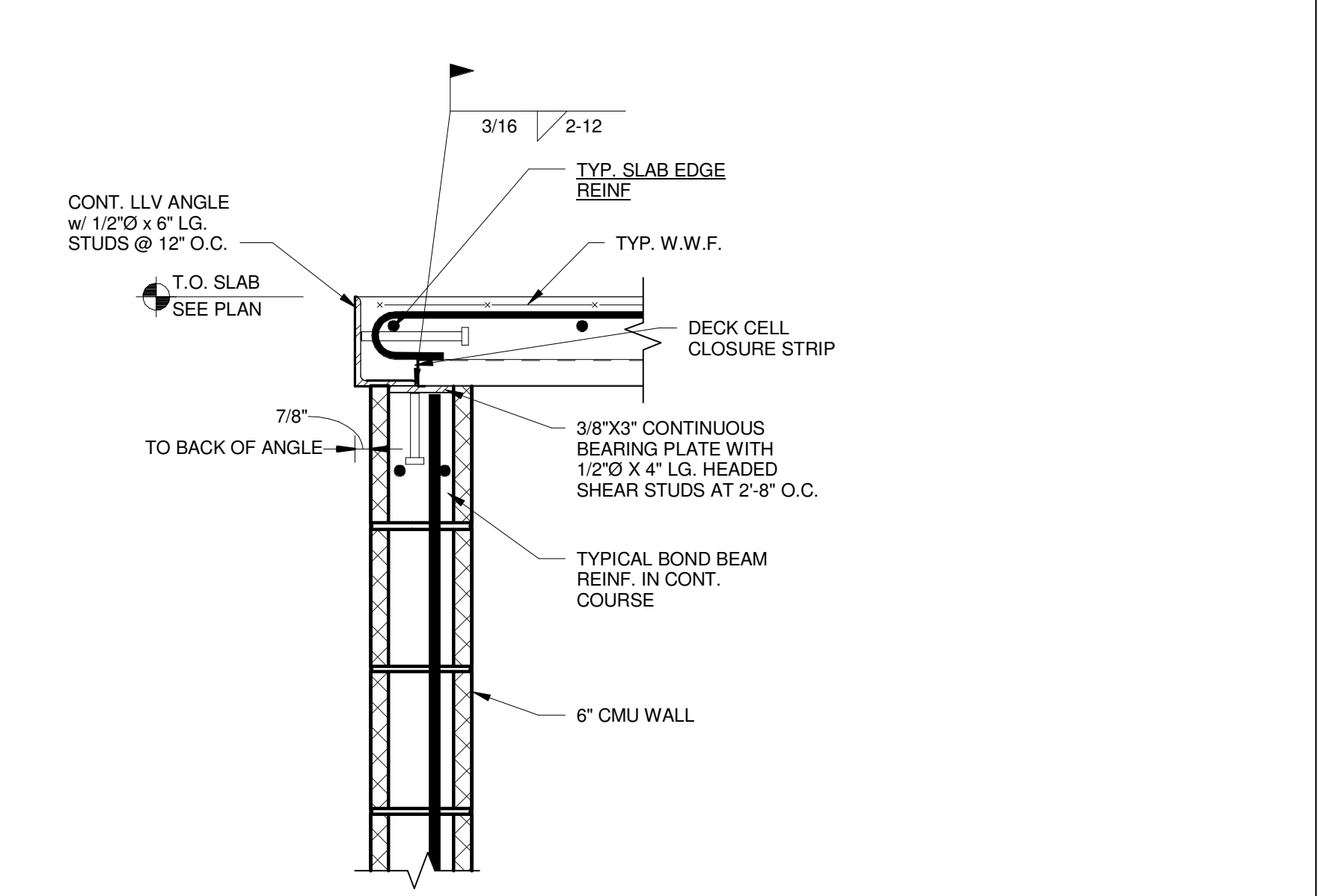
J9 SECTION
1 1/2" = 1'-0"



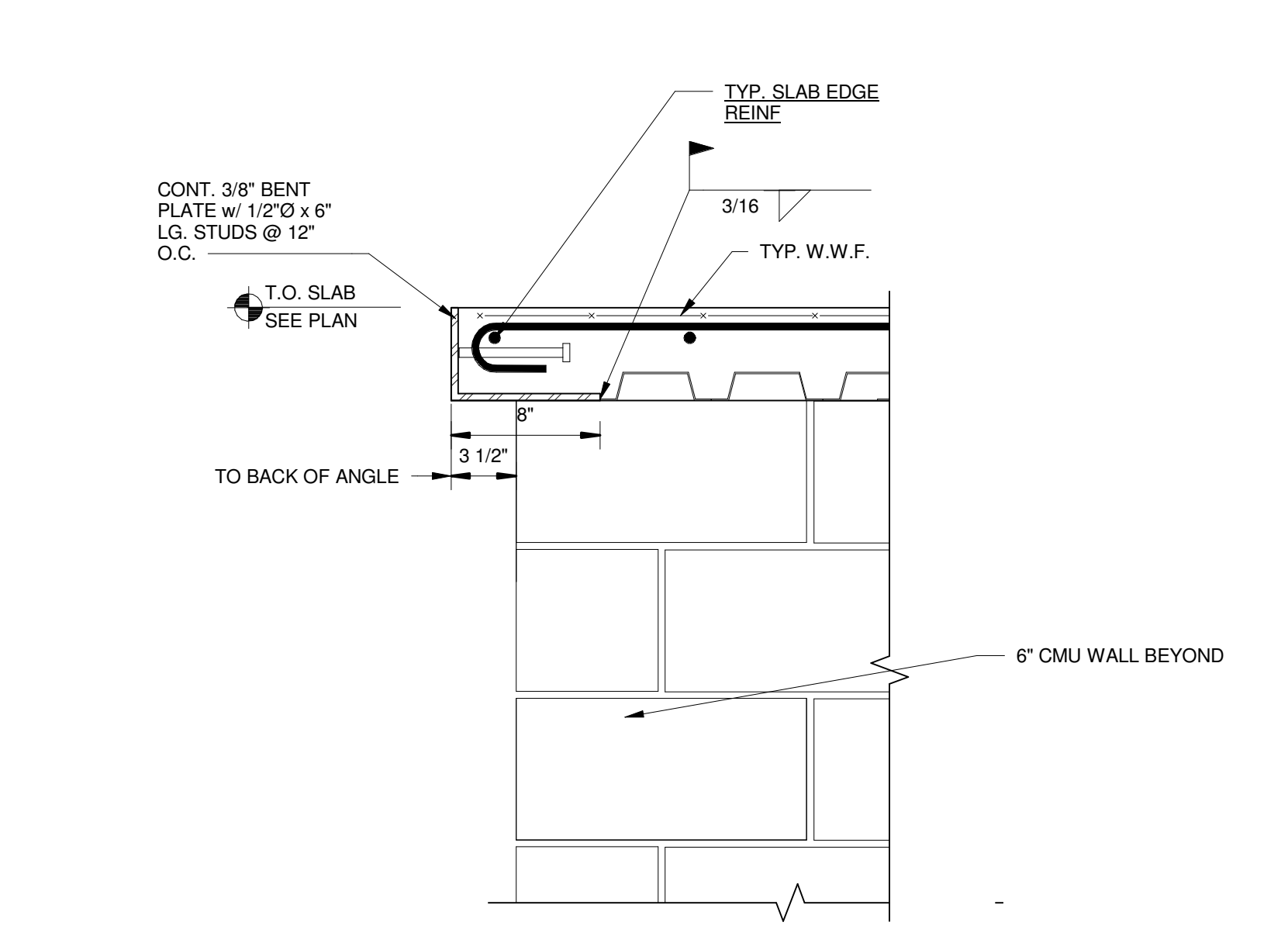
E1 SECTION
1 1/2" = 1'-0"



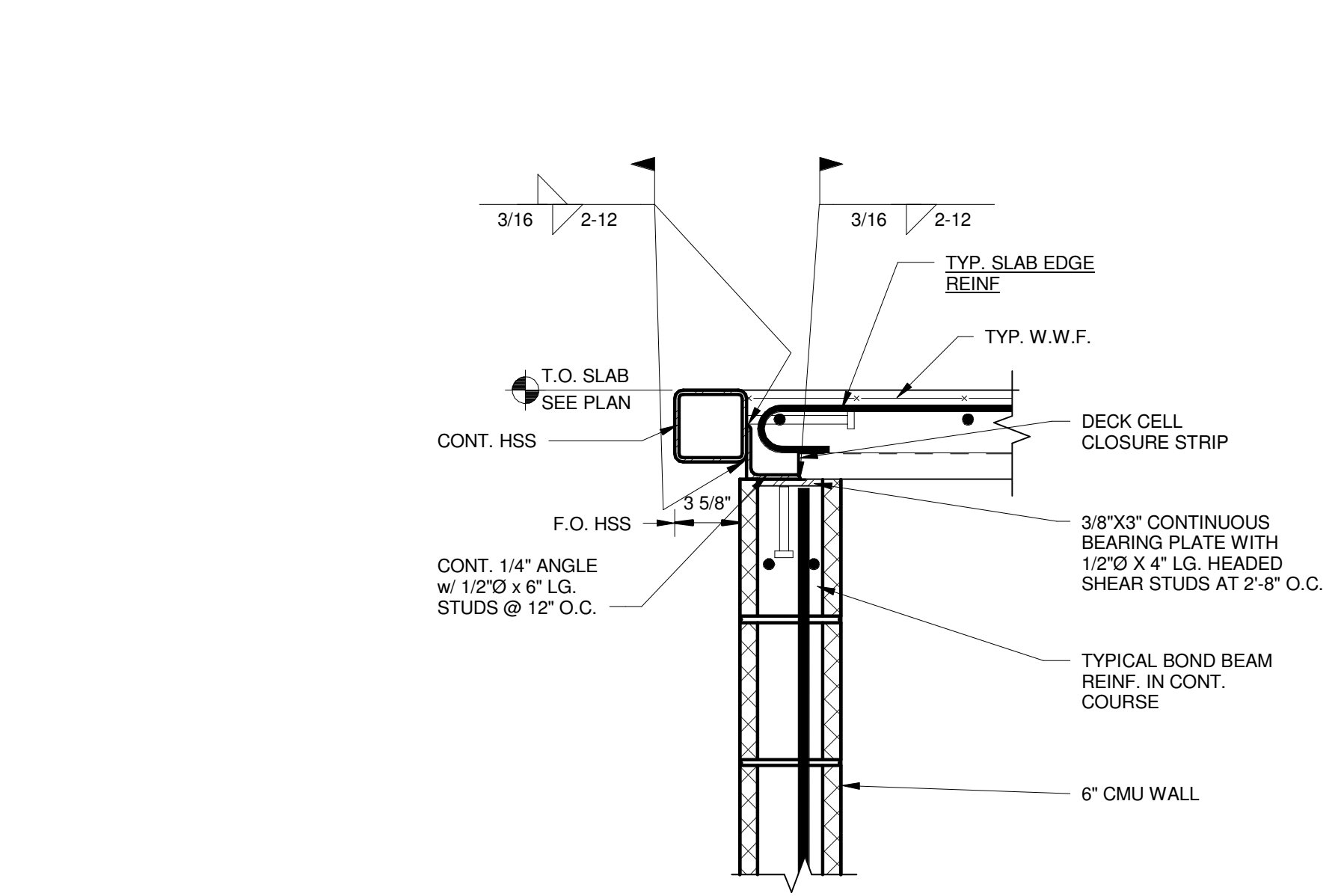
E5 SECTION
1 1/2" = 1'-0"



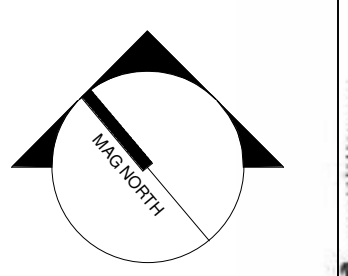
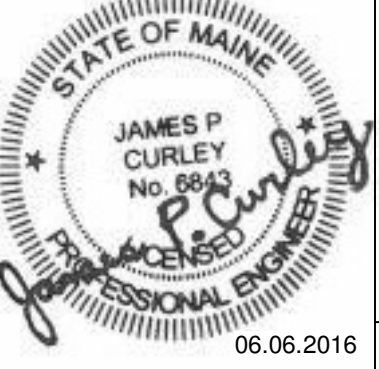
A1 SECTION
1 1/2" = 1'-0"



A5 SECTION
1 1/2" = 1'-0"



A9 SECTION
1 1/2" = 1'-0"

0	ISSUED FOR BID	06 JUNE 2016
REV.	DESCRIPTION	DATE
 		
WBRC ARCHITECTS • ENGINEERS WWW.WBRCAE.COM BANGOR, MAINE 207-947-4511 PORTLAND, MAINE 207-838-4511 SARASOTA, FLORIDA 941-556-0757		
ASYLUM		
PROJECT: FRAMING SECTIONS AND DETAILS		
SHEET TITLE:		
WBRC CAD FILE: C:\Users\jpc\Documents\40710 - ASYLUM DANCE CLUB - STRUCT_30866.rvt		
PROJECT No: 4071.10	GRAPHIC SCALE: 1" = 1'-0"	
SCALE: 1 1/2" = 1'-0"	SHEET No: S-502	
PROJECT MANAGER: JRB	DRAWN BY: ADG/RAD/JHW	
CHECKED BY: JPC		