

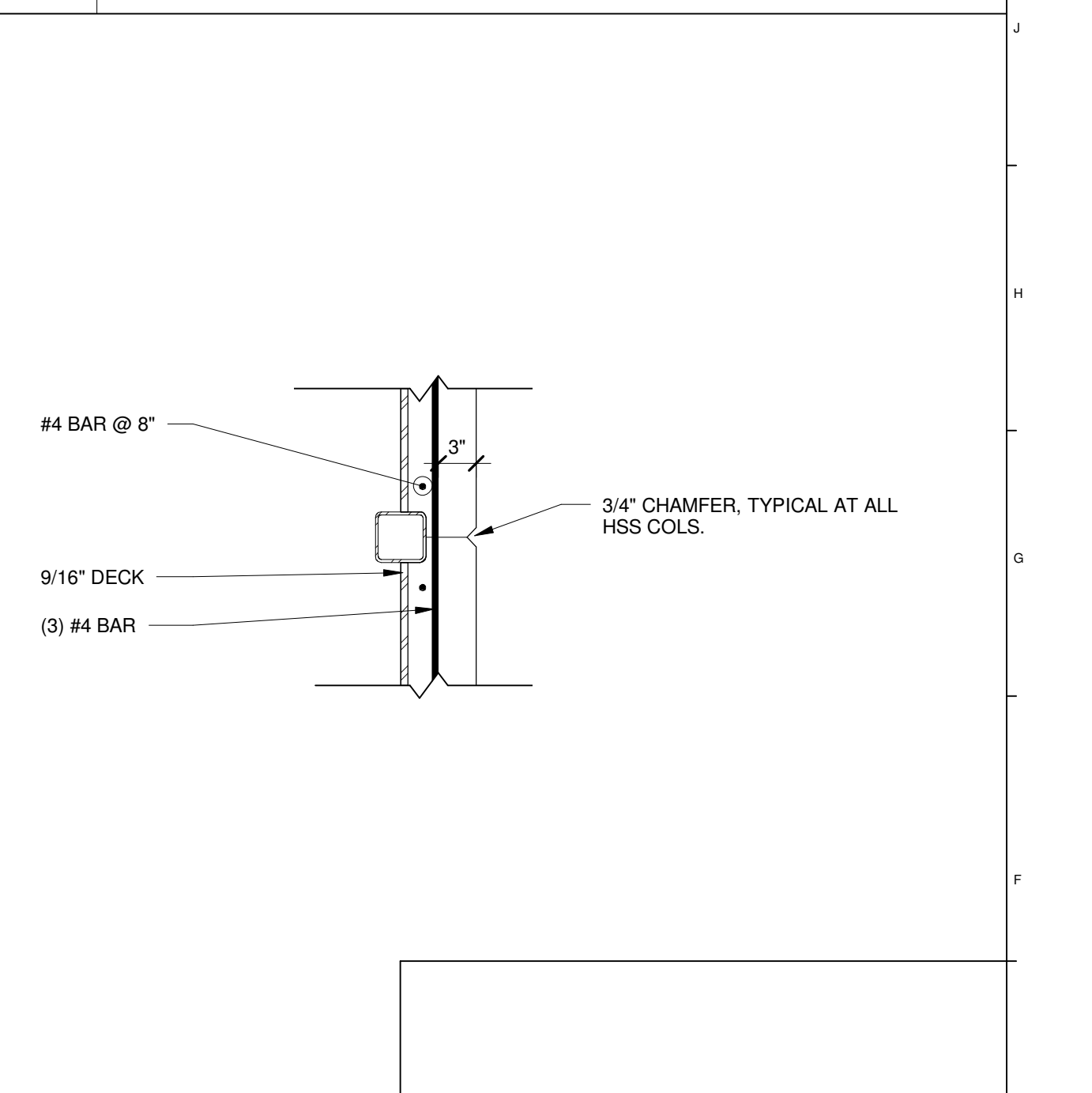
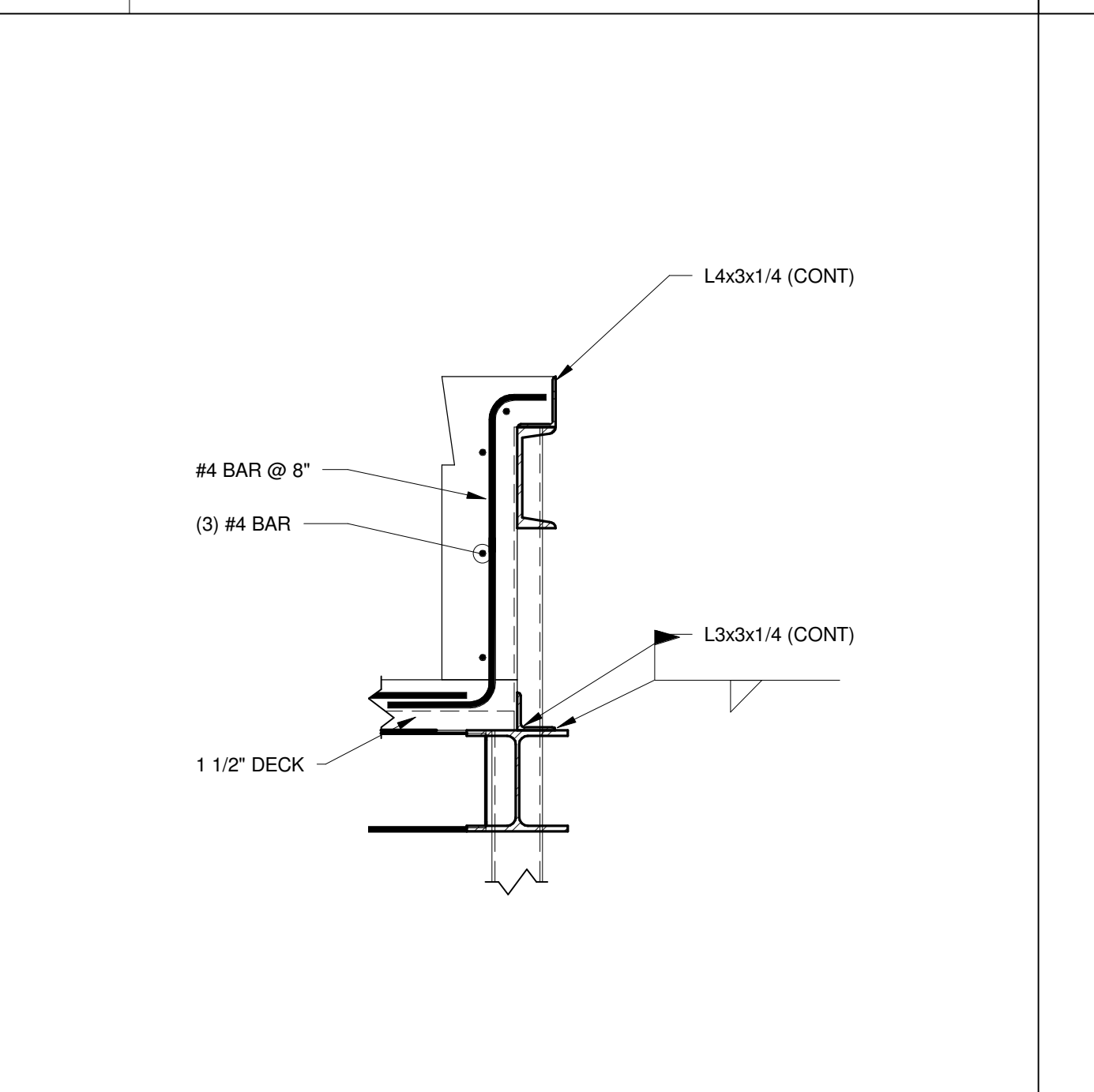
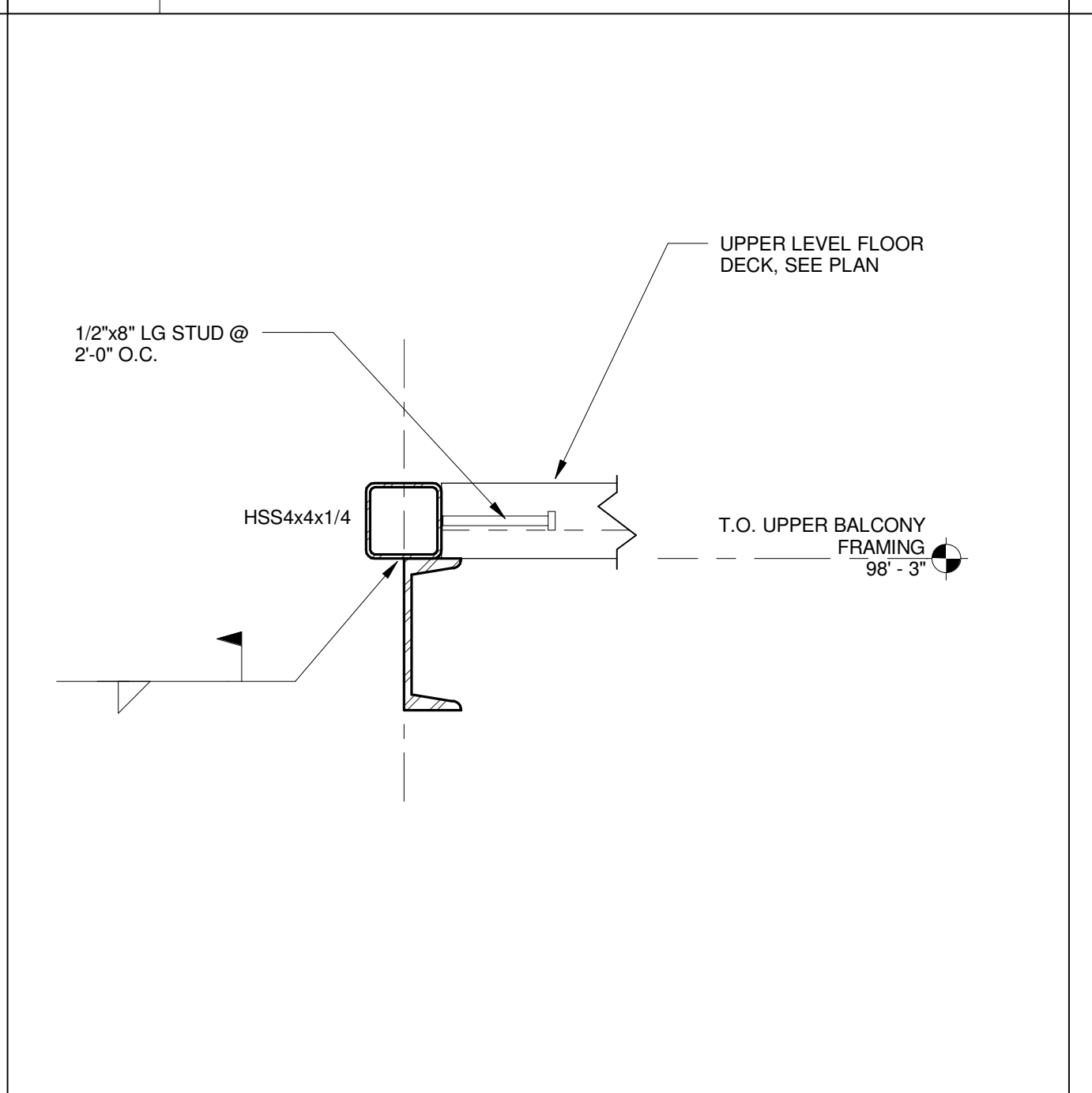
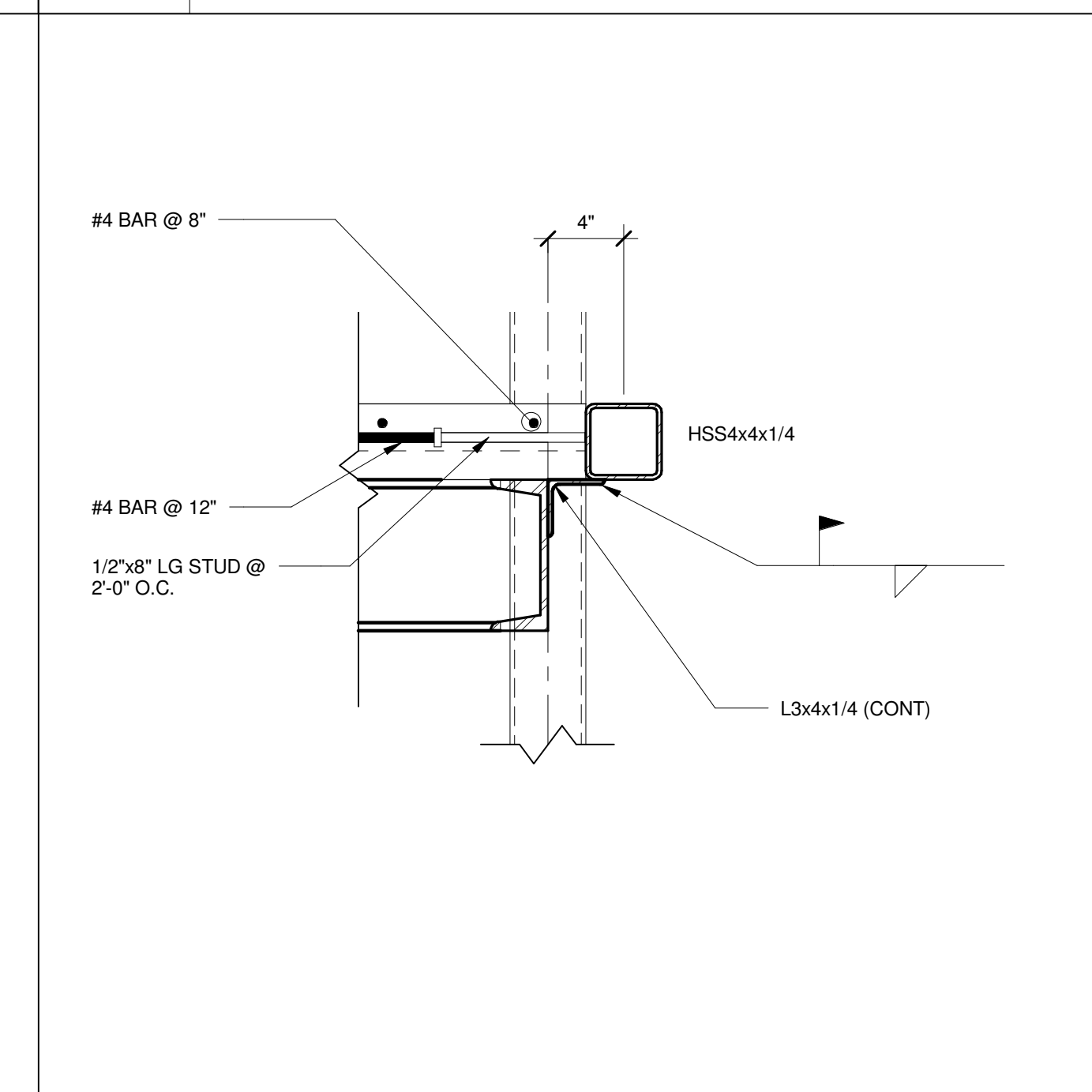
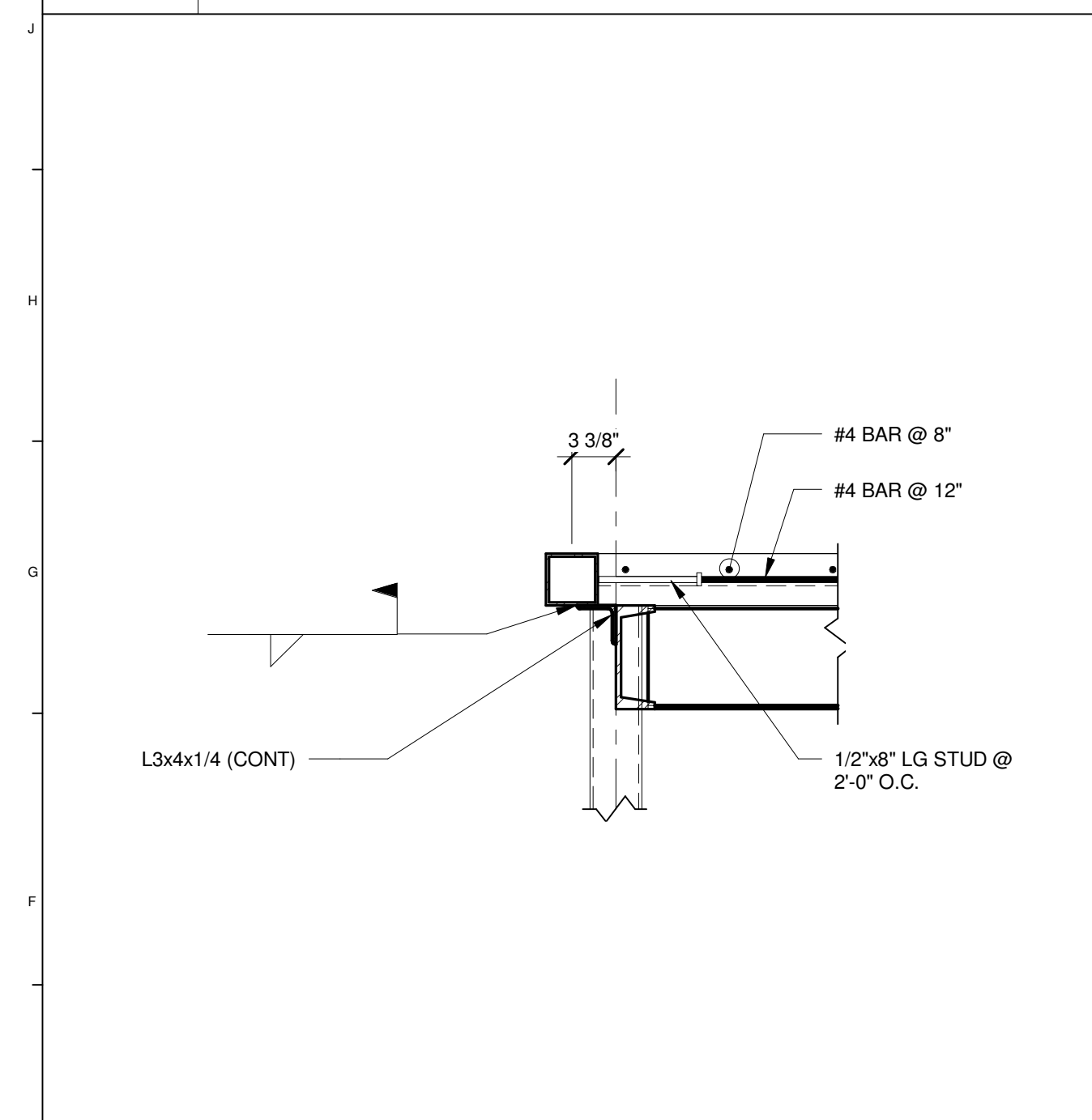
K1 BALCONY FRAMING DETAIL
1 1/2" = 1'-0"

K4 BALCONY FRAMING DETAIL
1 1/2" = 1'-0"

K11 BALCONY FRAMING DETAIL
1 1/2" = 1'-0"

K15 BALCONY FRAMING DETAIL
1" = 1'-0"

K8 TYPICAL BALCONY FRAMING
1 1/2" = 1'-0"



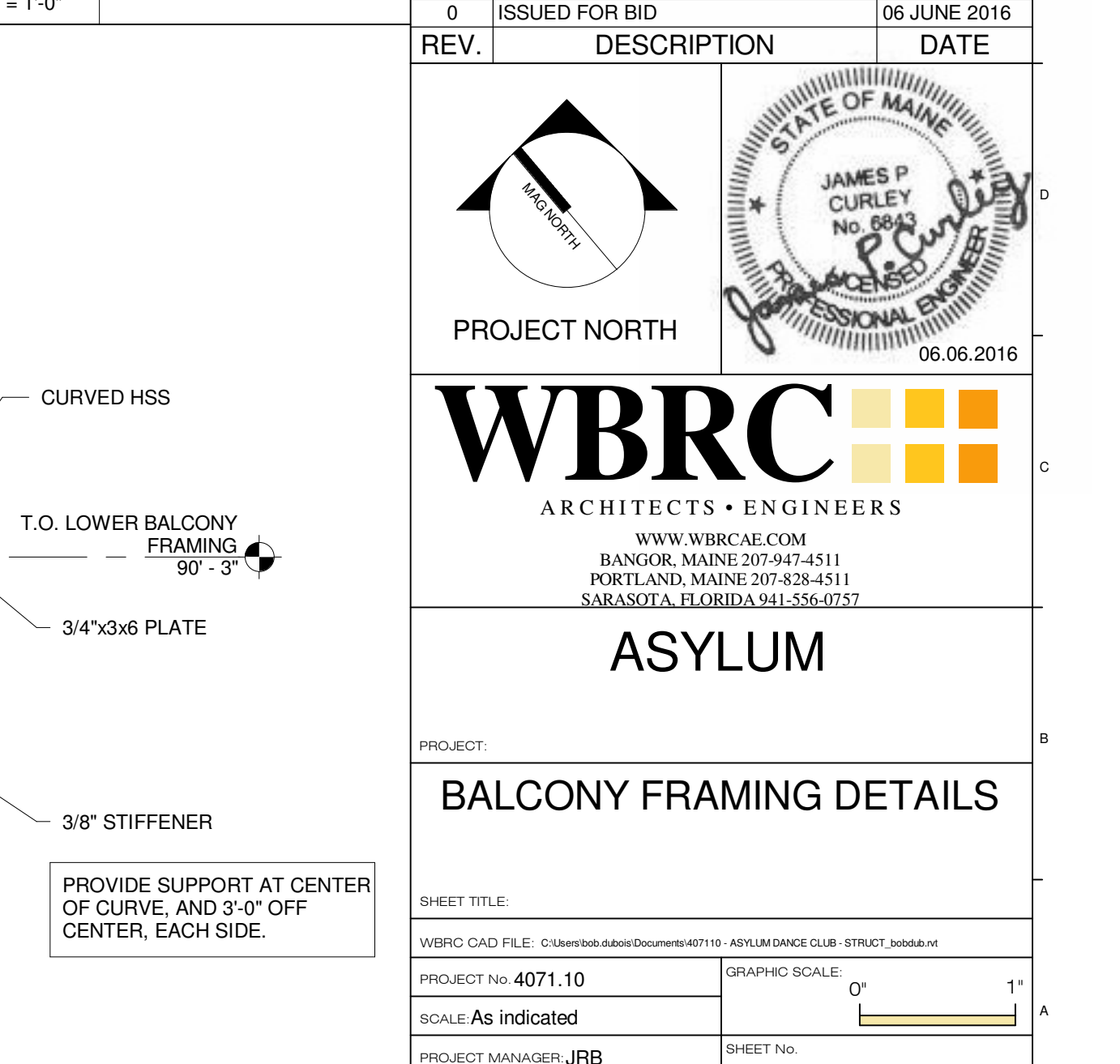
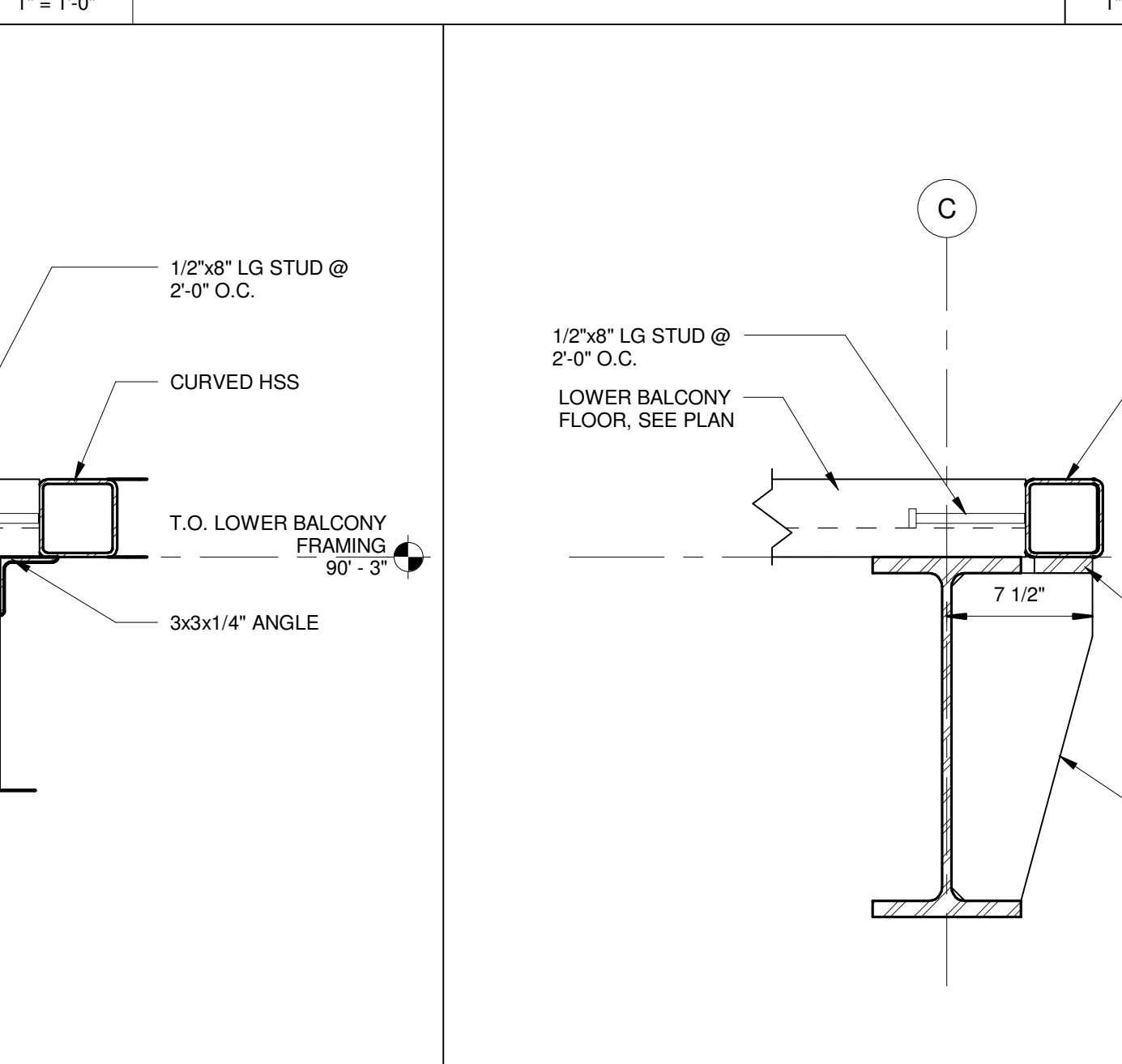
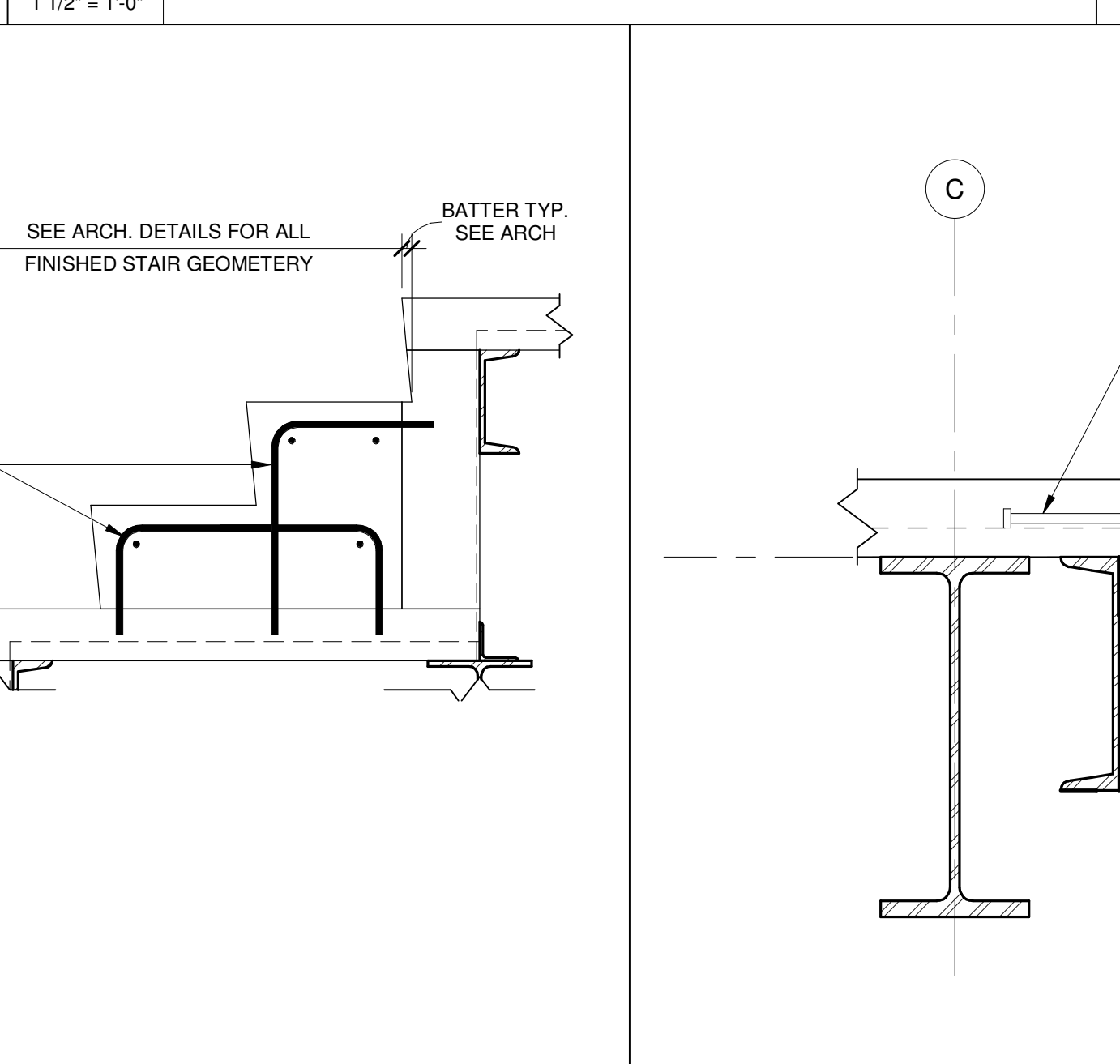
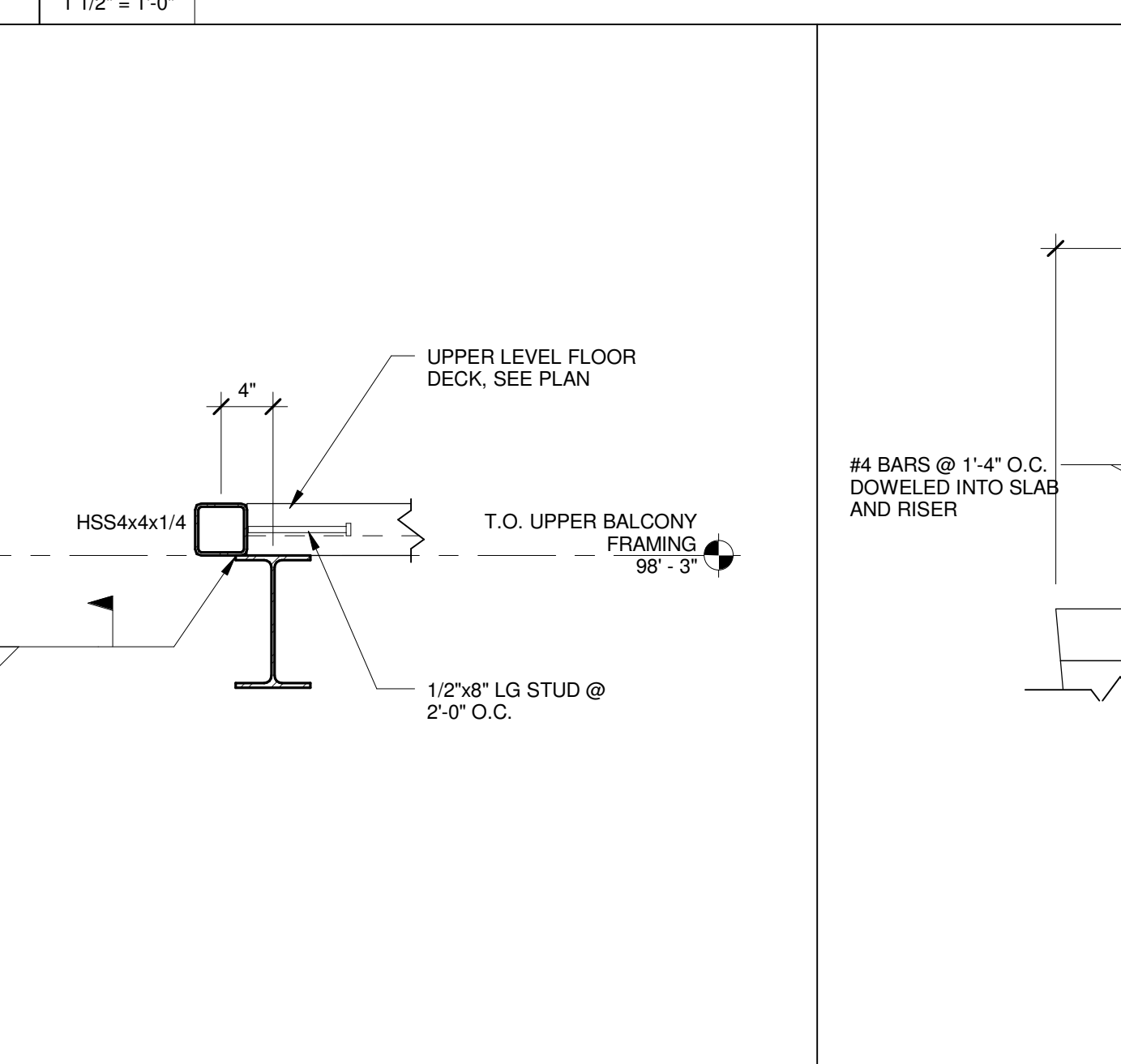
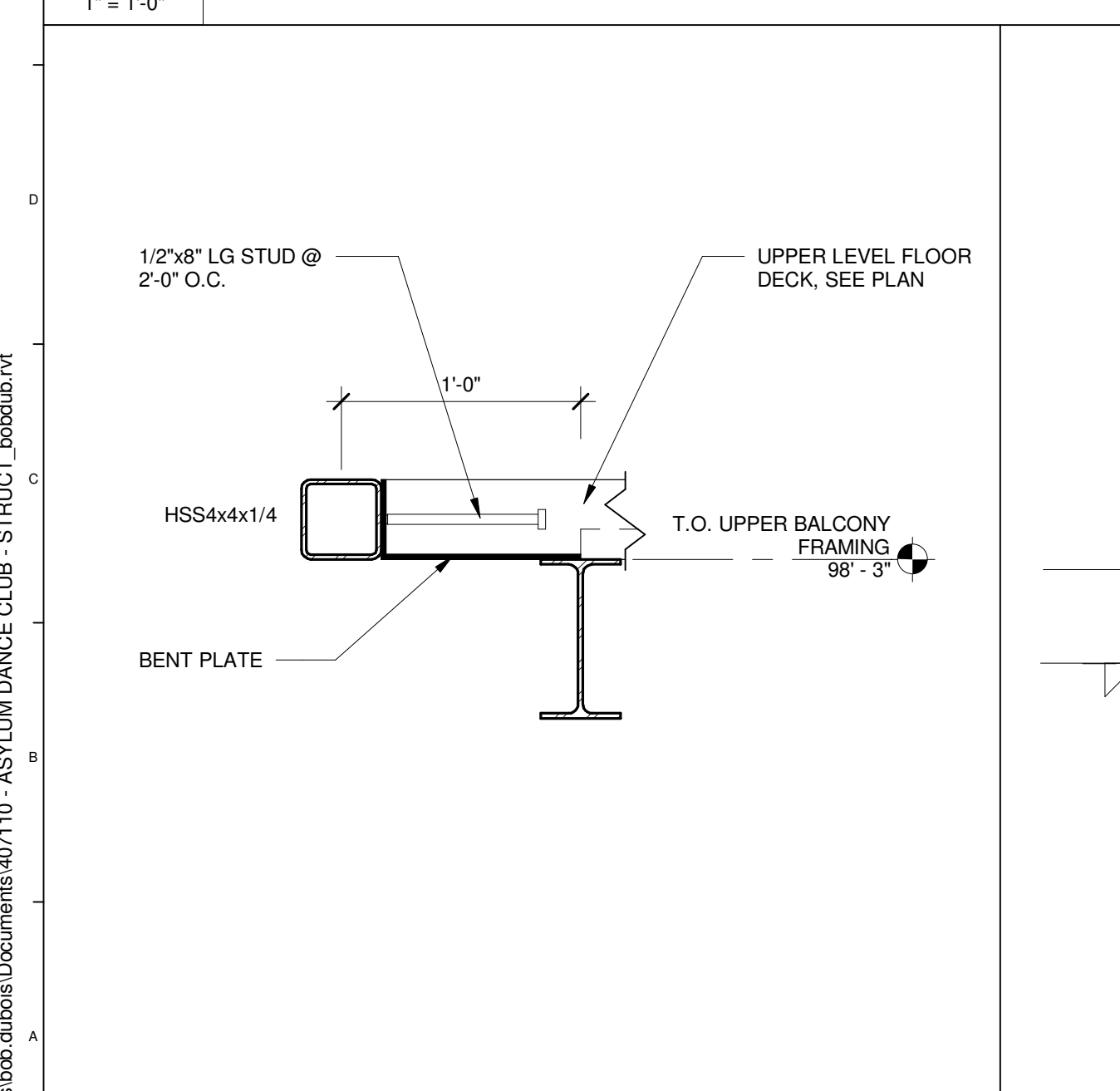
E1 BALCONY FRAMING DETAIL
1" = 1'-0"

E4 BALCONY FRAMING DETAIL
1 1/2" = 1'-0"

E8 BALCONY FRAMING DETAIL
1 1/2" = 1'-0"

E11 BALCONY FRAMING DETAIL
1" = 1'-0"

E15 BALCONY DETAIL
1" = 1'-0"



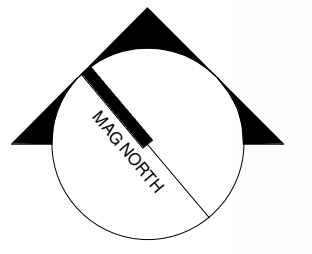
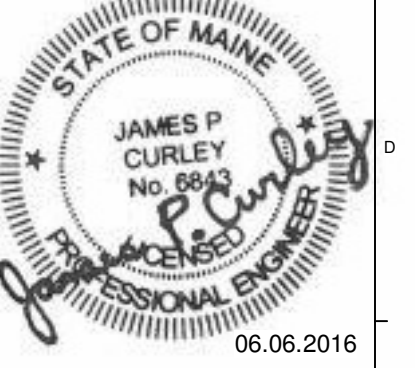
A1 BALCONY FRAMING DETAIL
1 1/2" = 1'-0"

A4 BALCONY FRAMING DETAIL
1" = 1'-0"

A7 TYPICAL BALCONY STAIR INFILL DETAIL
1" = 1'-0"

A10 BALCONY EDGE DETAIL
1 1/2" = 1'-0"

A13 BALCONY EDGE DETAIL
1 1/2" = 1'-0"

0	ISSUED FOR BID	06 JUNE 2016
REV.	DESCRIPTION	DATE
 		
PROJECT NORTH		
WBRC ARCHITECTS • ENGINEERS WWW.WBRCAE.COM BANGOR, MAINE 207-947-4511 PORTLAND, MAINE 207-838-4511 SARASOTA, FLORIDA 341-556-0757		
PROJECT: ASYLUM		
SHEET TITLE: BALCONY FRAMING DETAILS		
WBRC CAD FILE: C:\Users\jpc\Documents\40710 - ASYLUM DANCE CLUB - STRUCT_30606.rvt		
PROJECT No: 4071.10	GRAPHIC SCALE: 0" = 1"	
SCALE: As indicated		
PROJECT MANAGER: JRB	SHEET No: S-401	
DRAWN BY: ADG/RAD/JHW		
CHECKED BY: JPC		