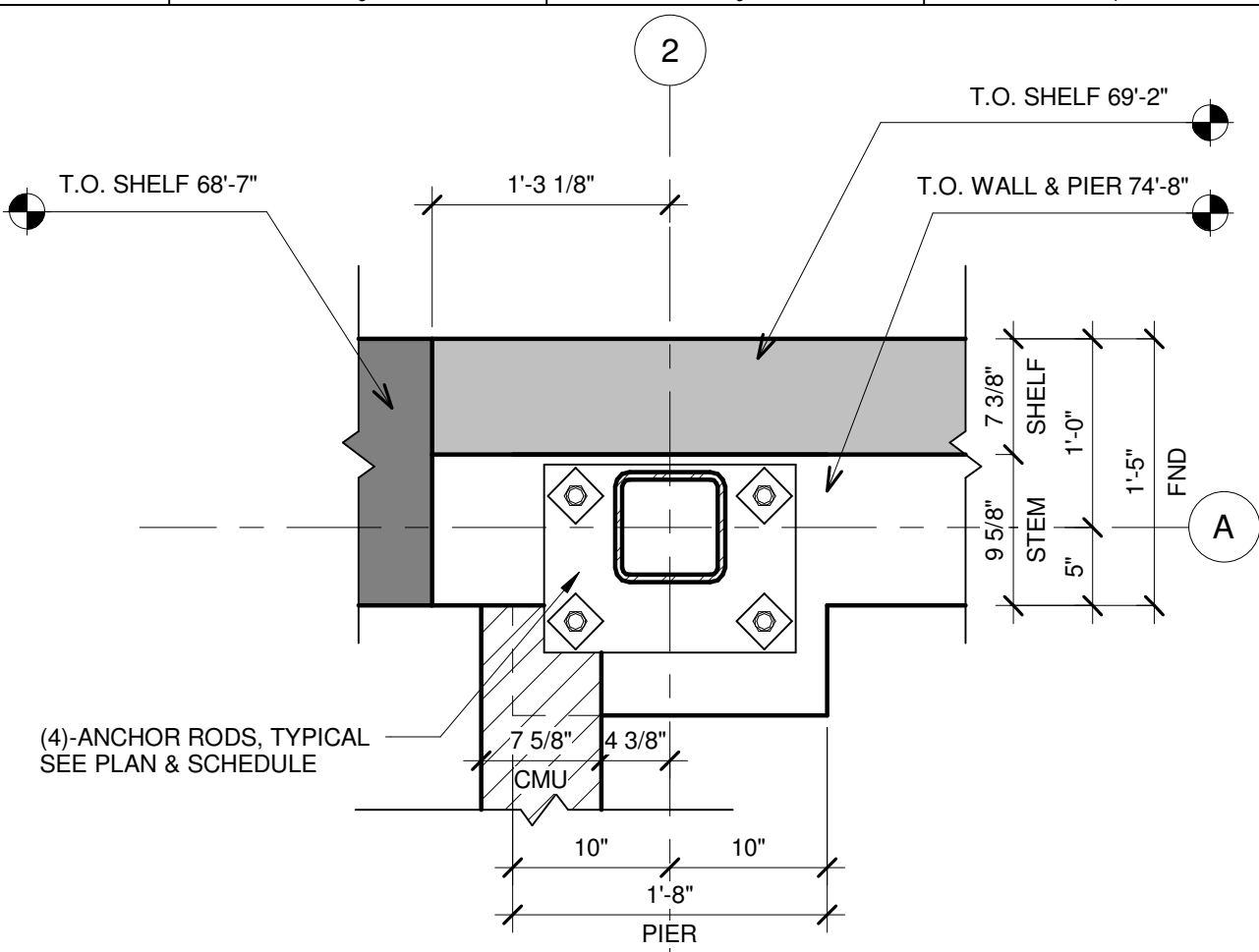
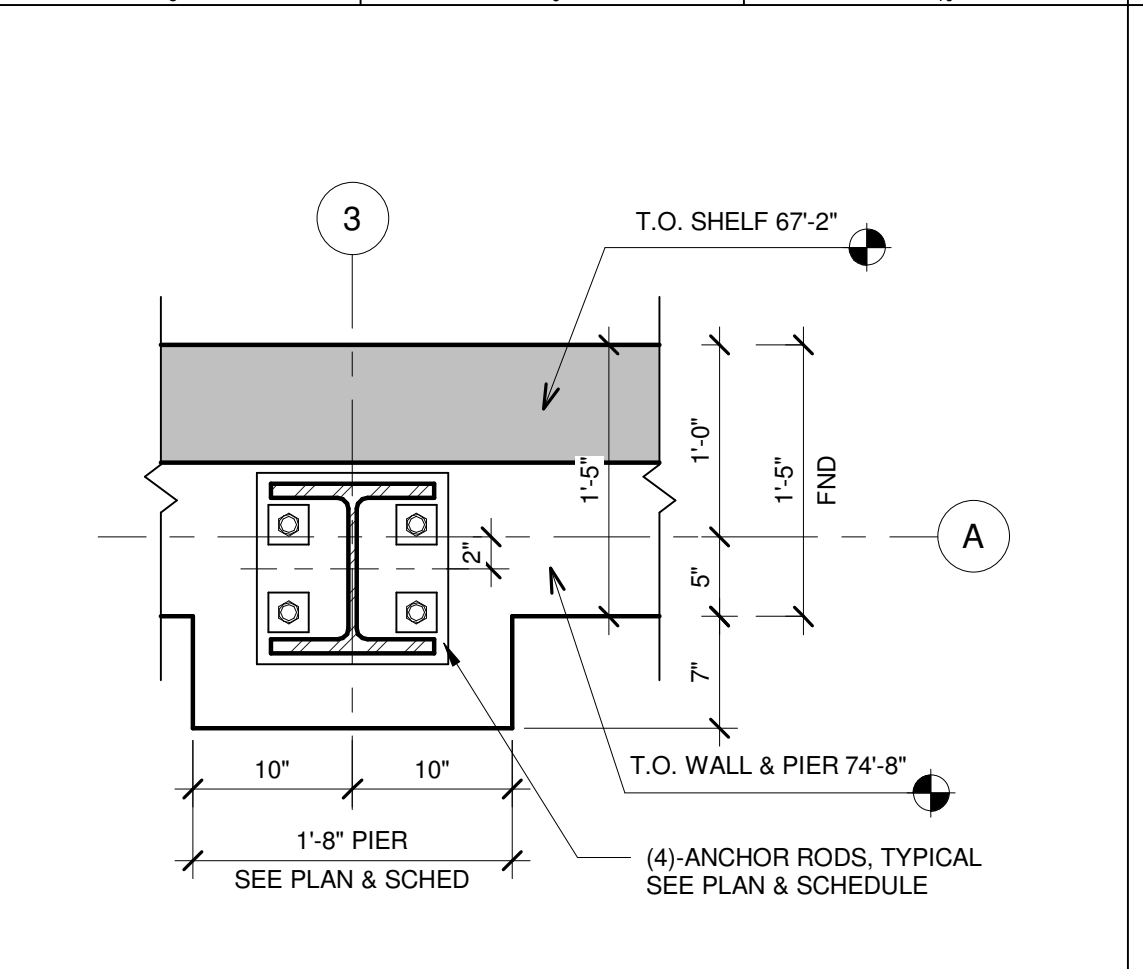


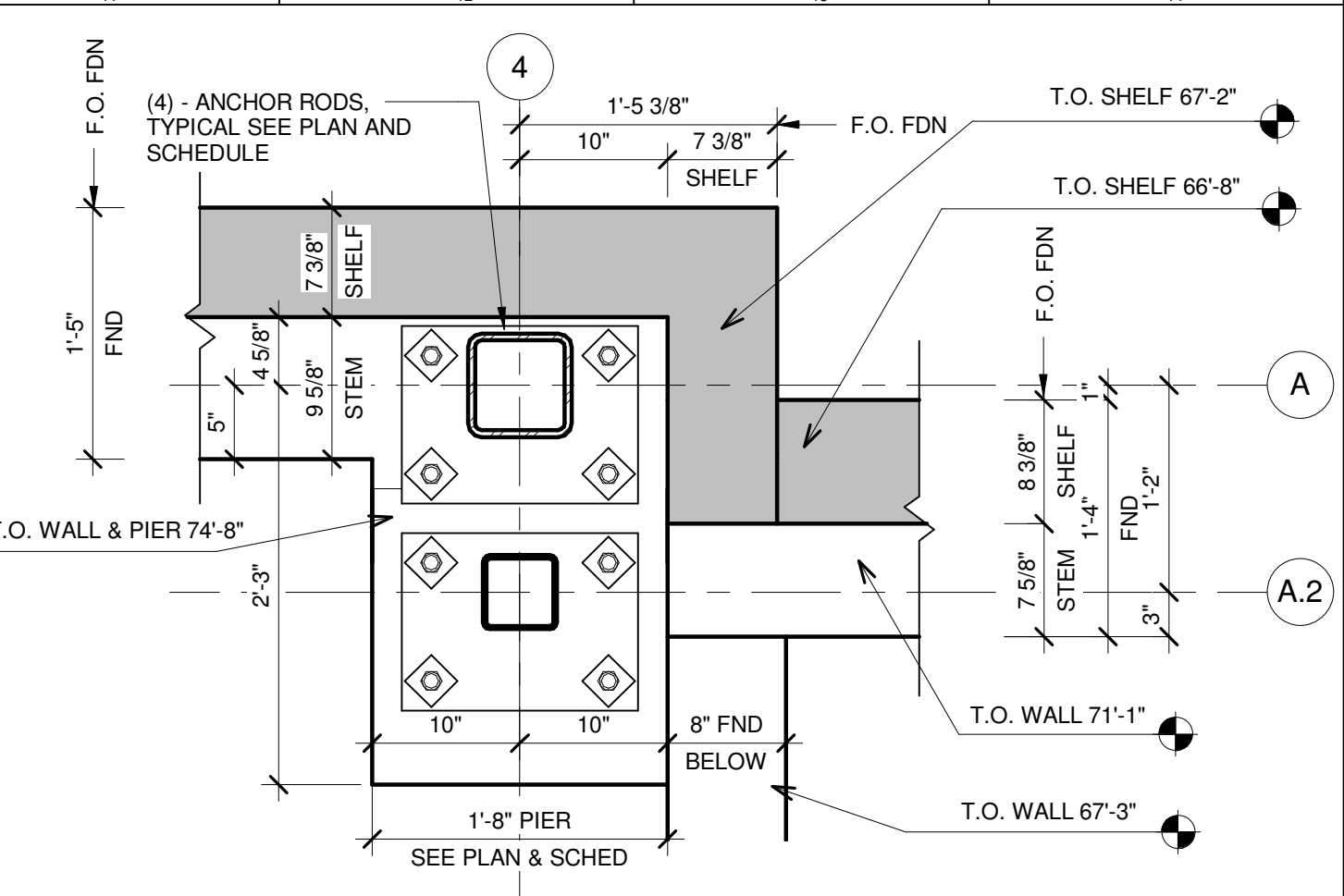
K1 PIER PLAN DETAIL
1" = 1'-0"



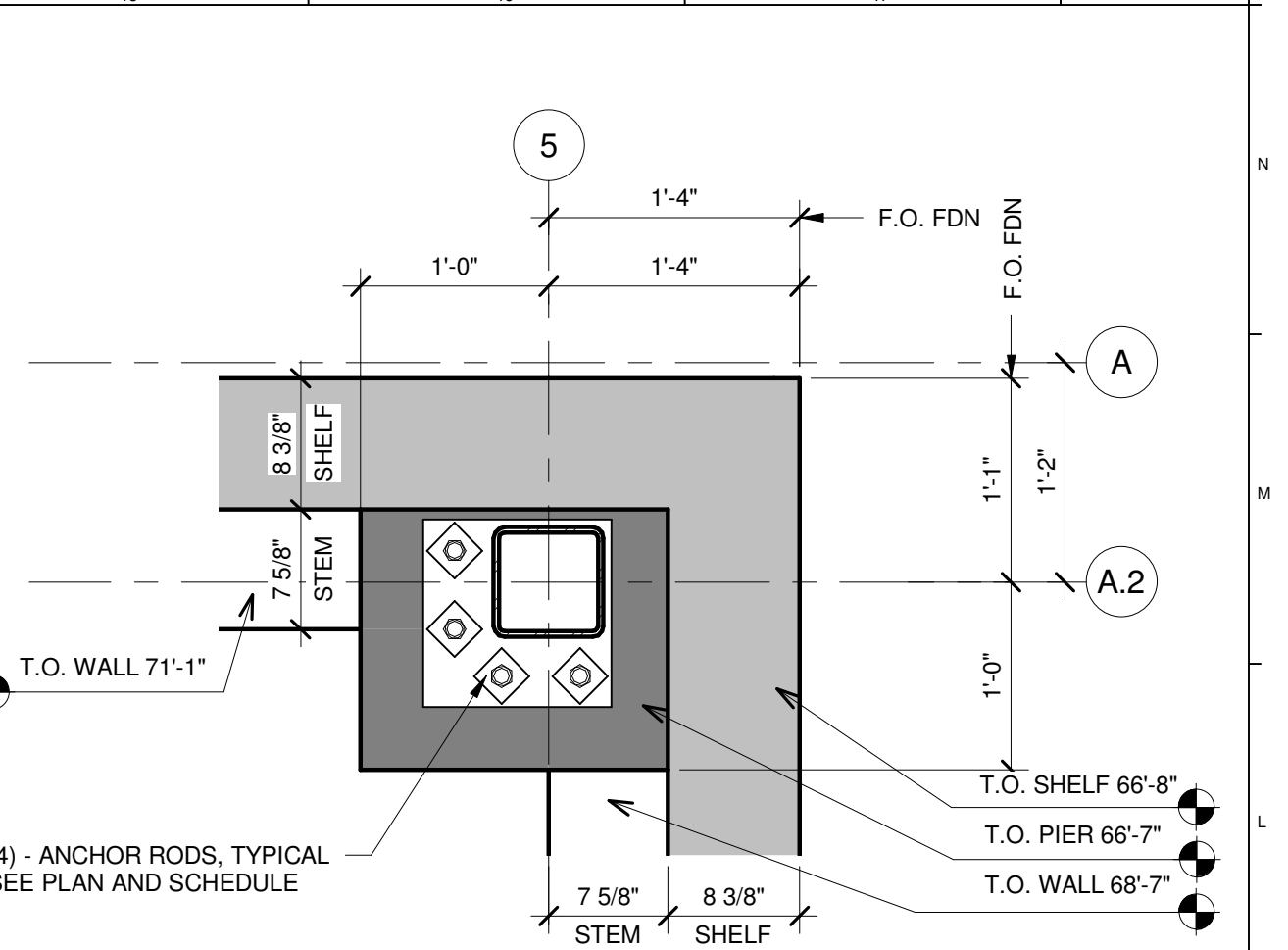
K4 PIER PLAN DETAIL
1" = 1'-0"



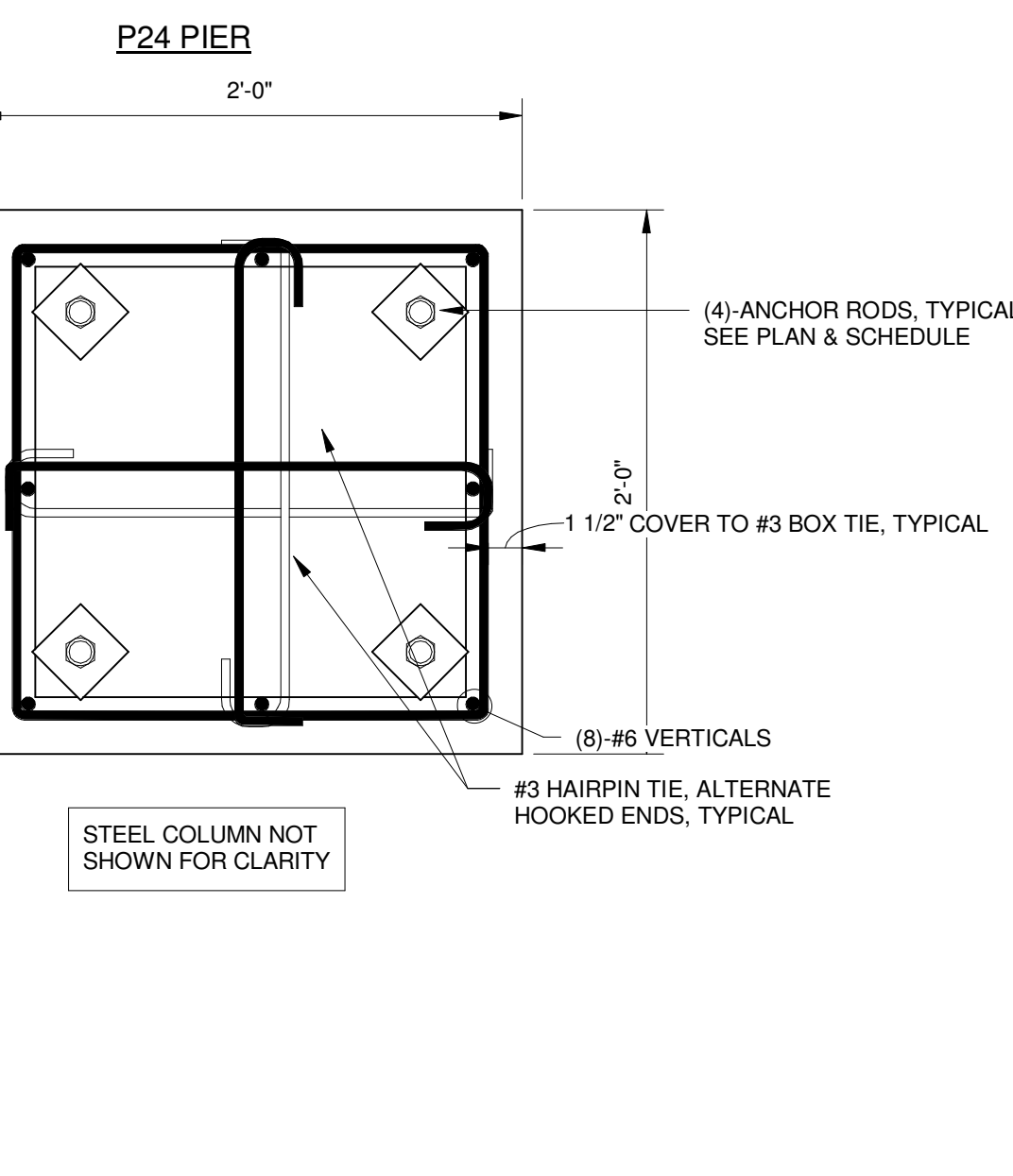
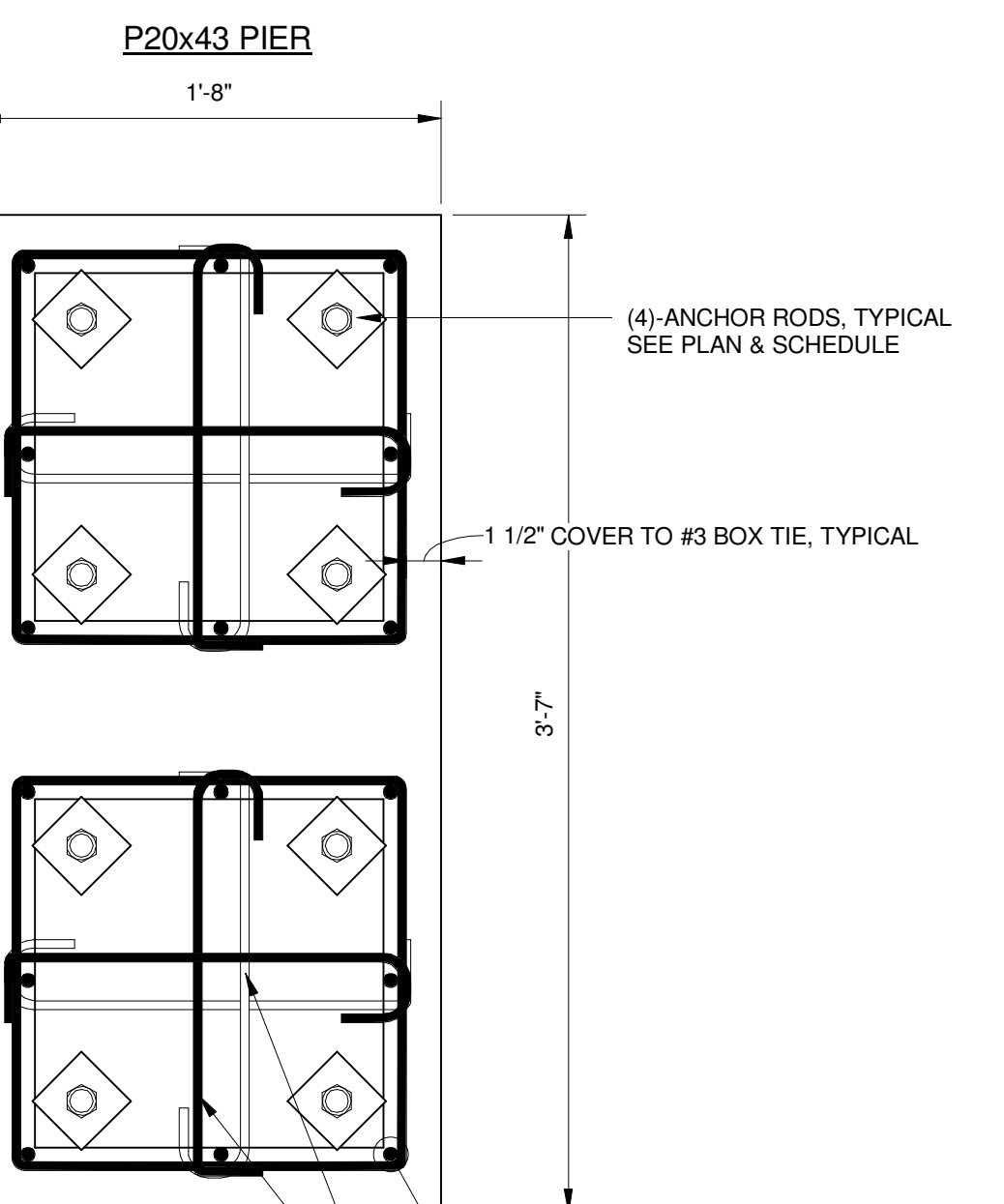
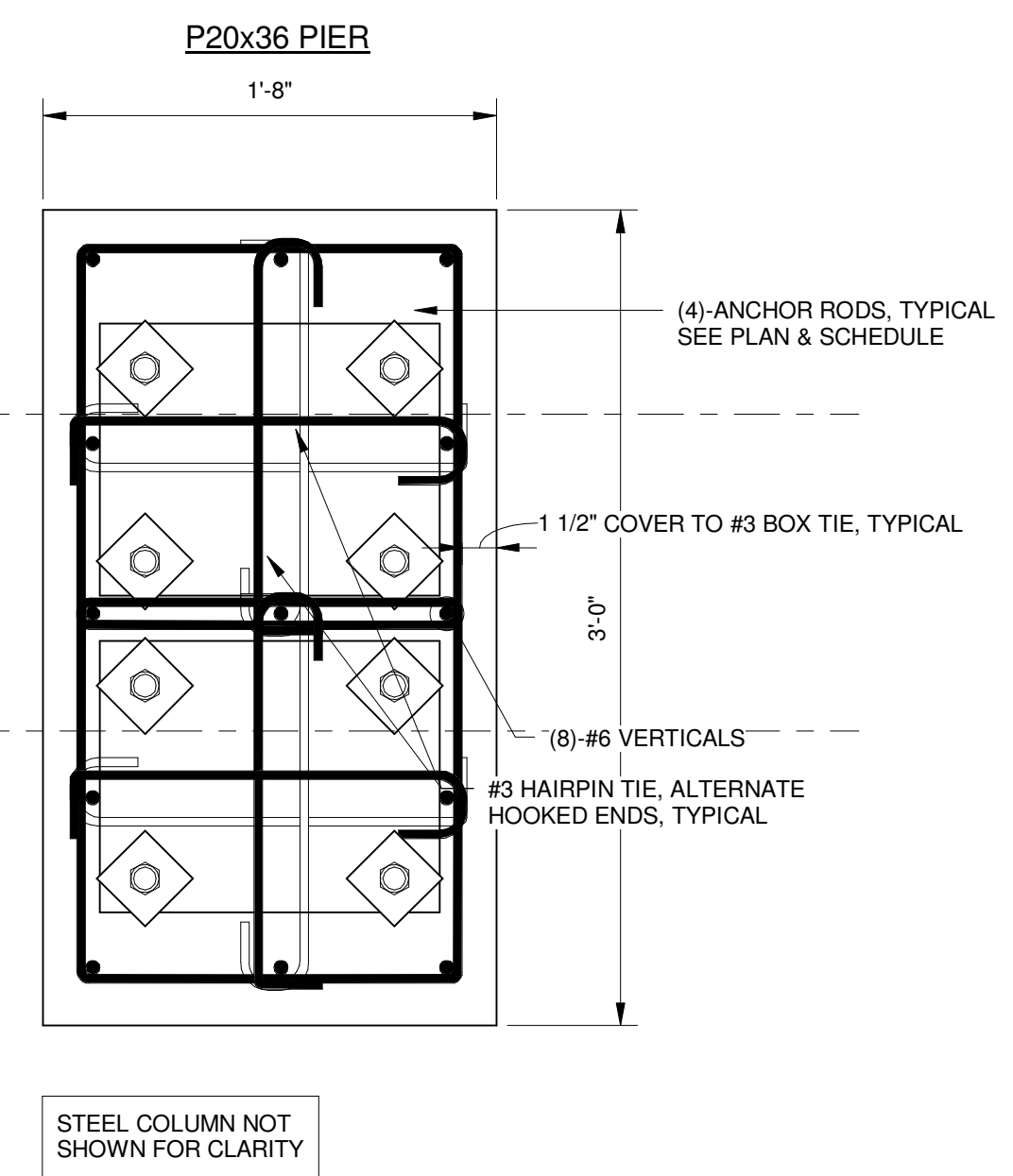
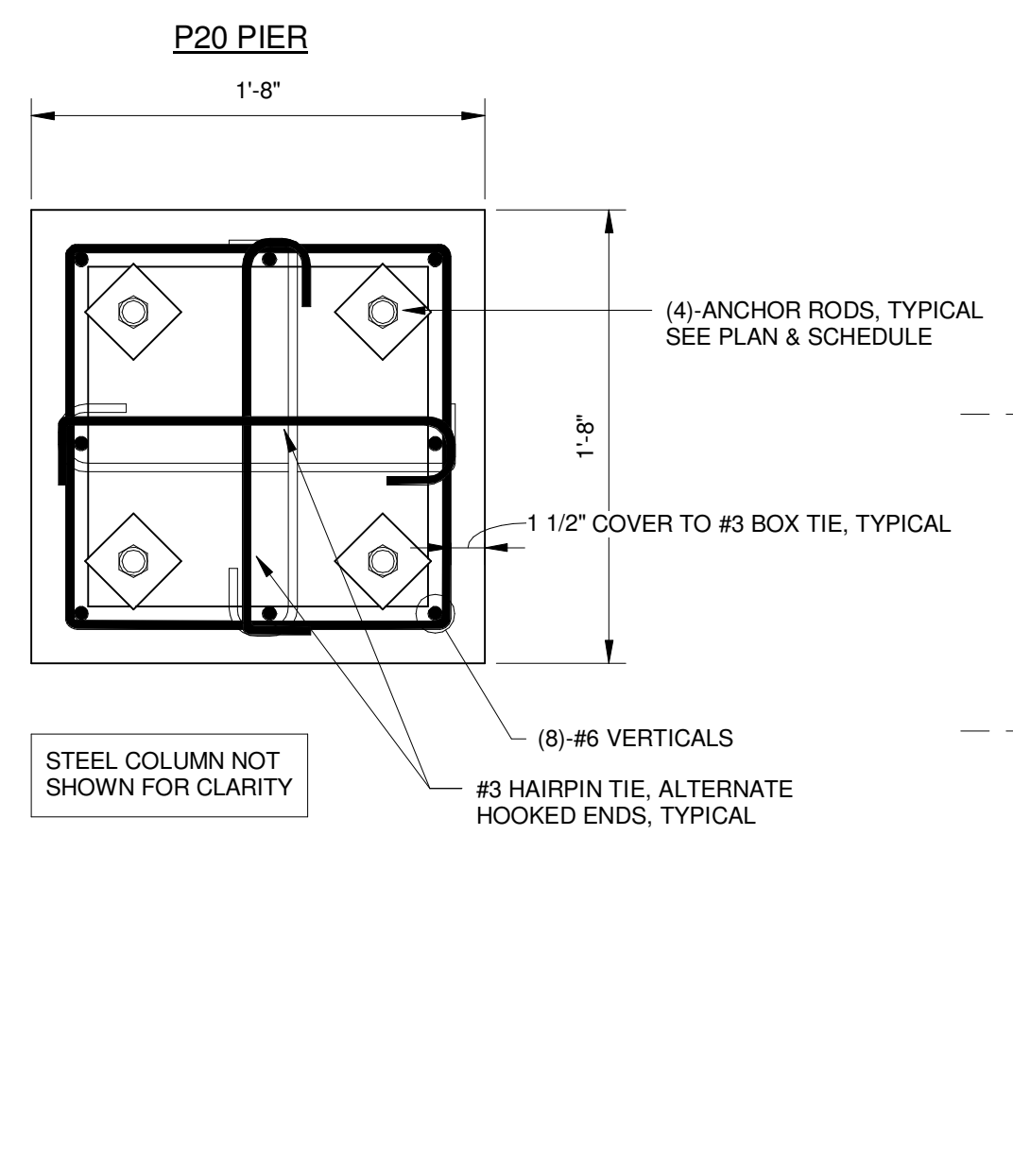
K8 PIER PLAN DETAIL
1" = 1'-0"



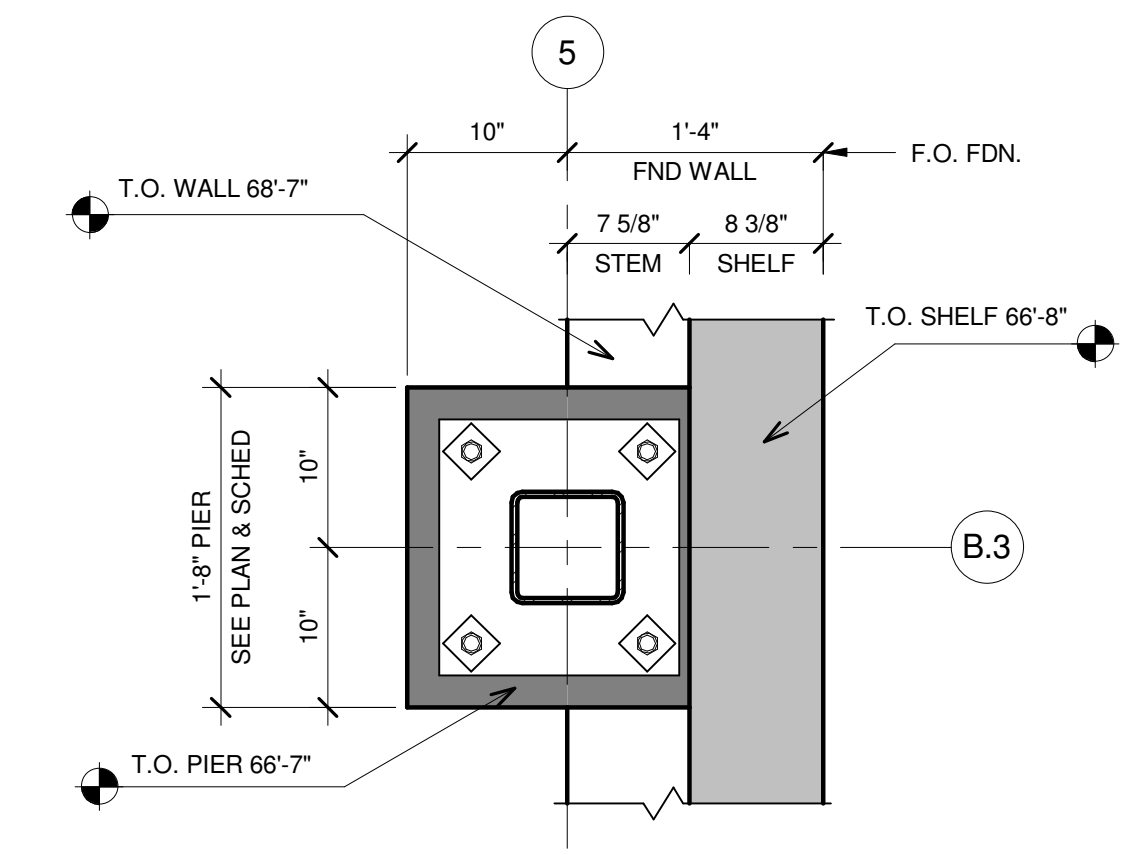
K11 PIER PLAN DETAIL
1" = 1'-0"



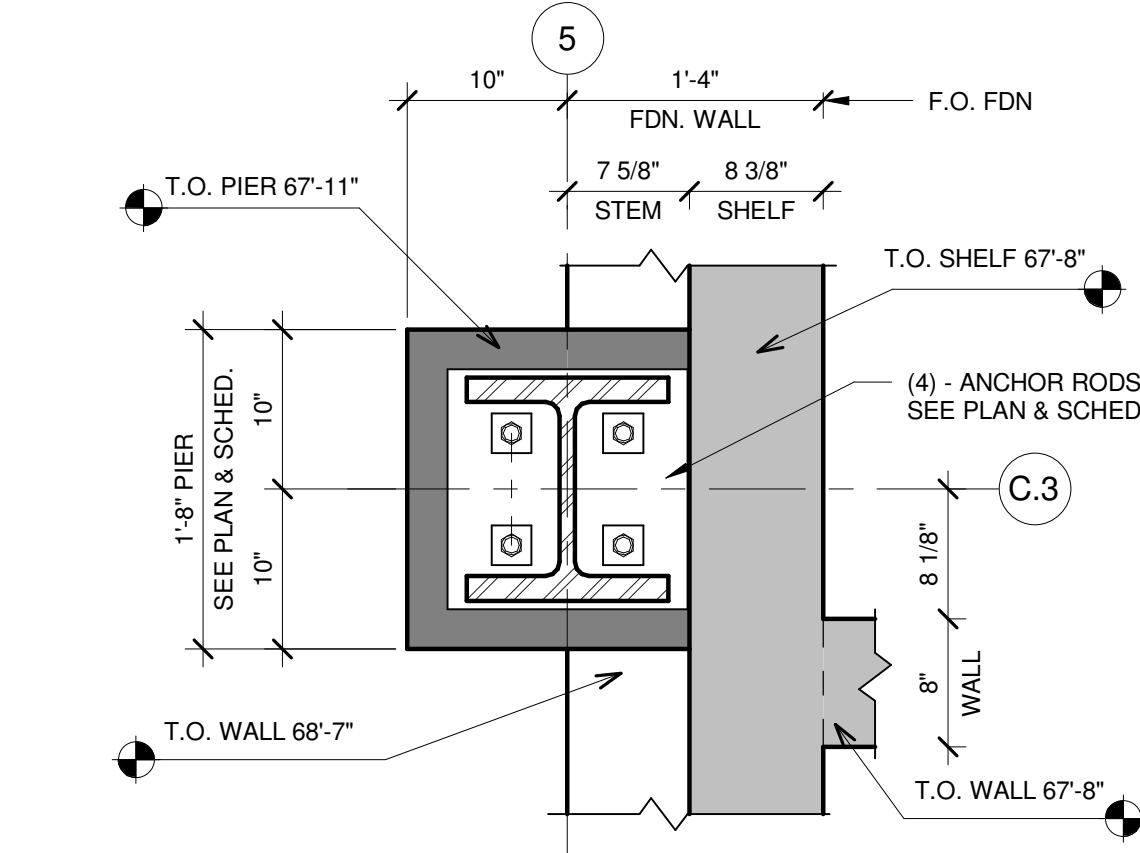
K15 PIER PLAN DETAIL
1" = 1'-0"



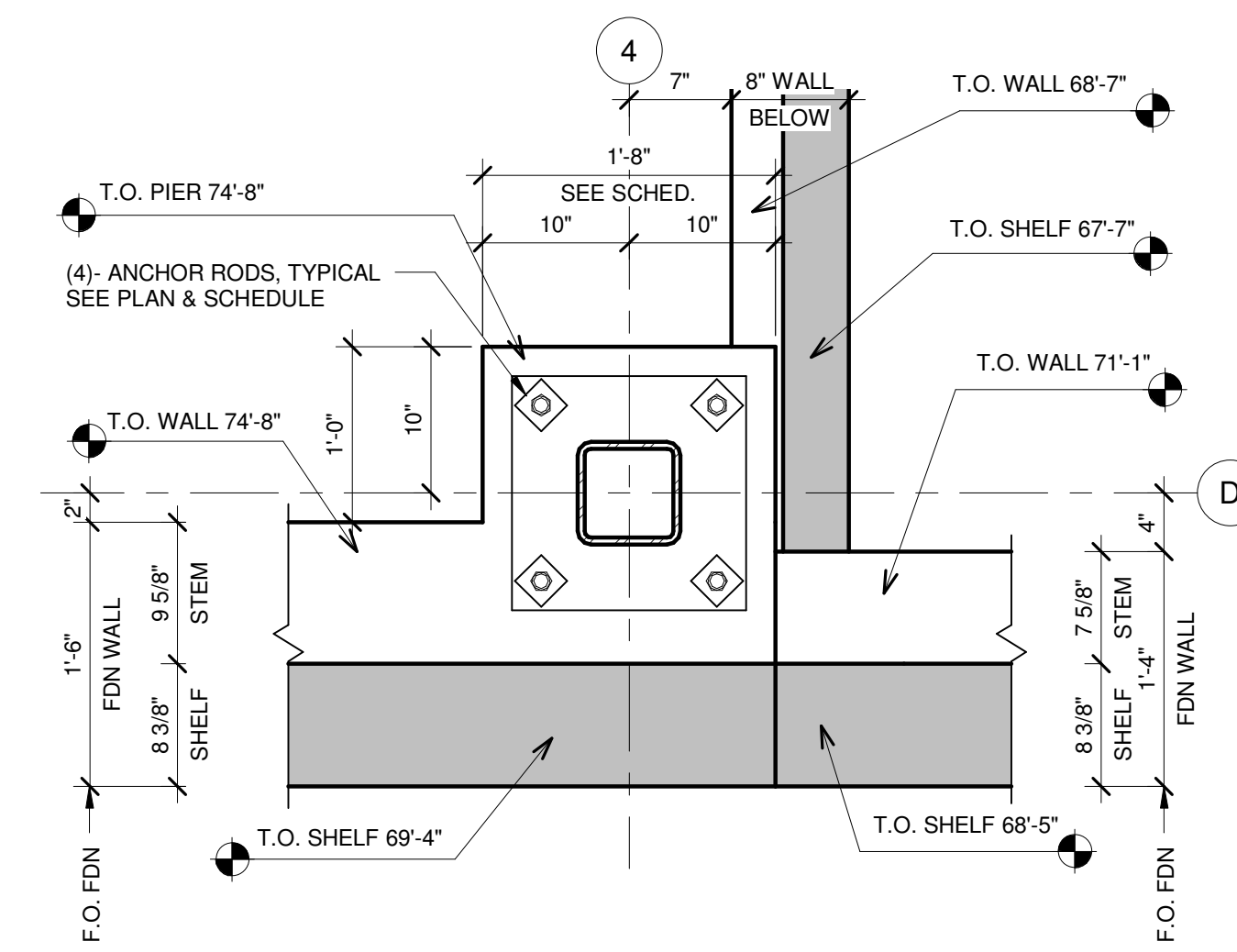
E1 PIER DETAILS
1 1/2" = 1'-0"



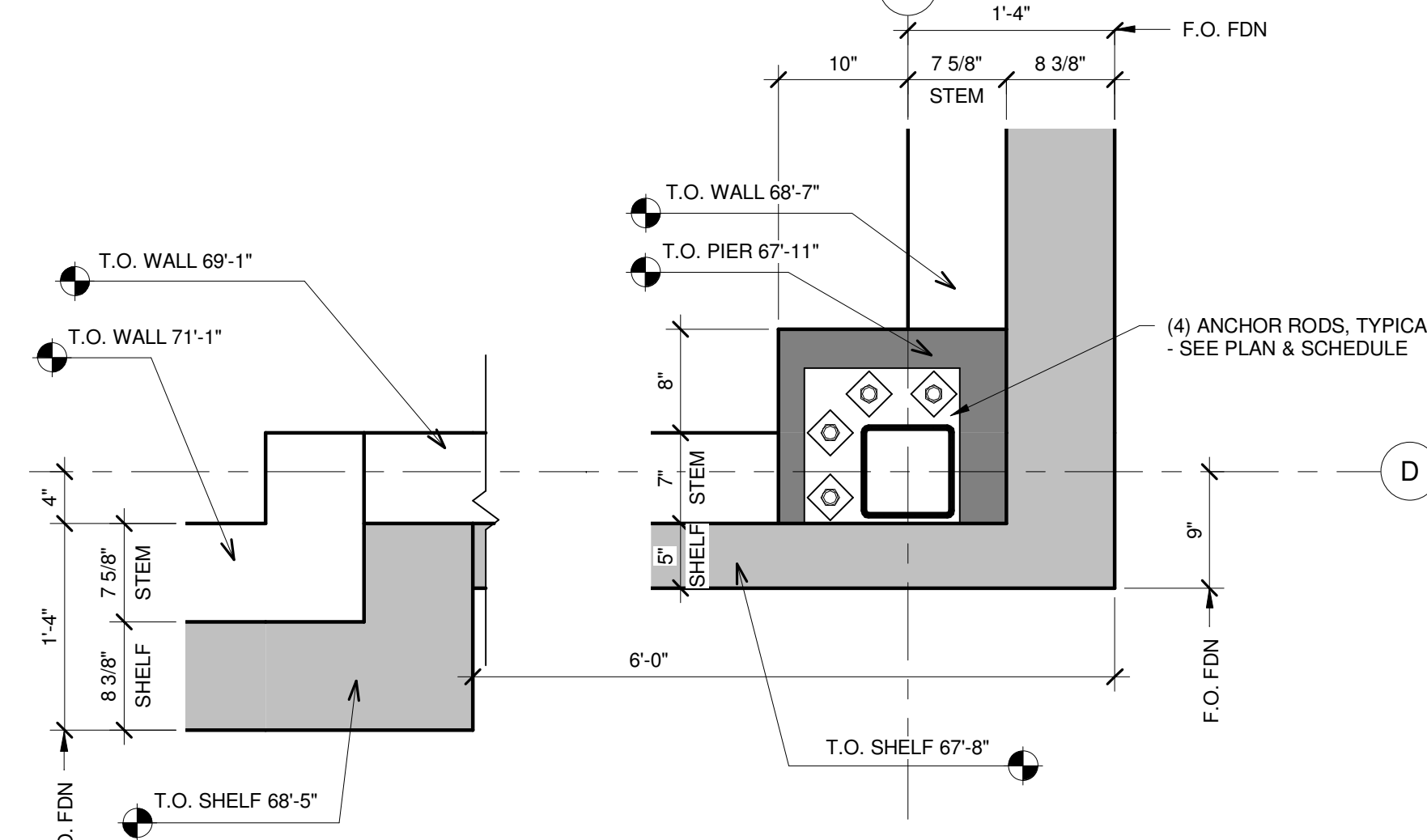
G13 PIER PLAN DETAIL
1" = 1'-0"



E13 PIER PLAN DETAIL
1" = 1'-0"



A8 PIER PLAN DETAIL
1" = 1'-0"



A11 PIER PLAN DETAIL
1" = 1'-0"

0	ISSUED FOR BID	06 JUNE 2016
REV.	DESCRIPTION	DATE

WBRC
ARCHITECTS • ENGINEERS
WWW.WBRCAE.COM
BANGOR, MAINE 207-947-4511
PORTLAND, MAINE 207-838-4511
SARASOTA, FLORIDA 341-556-0757

ASYLUM

PROJECT: FOUNDATION SECTIONS AND DETAILS

SHEET TITLE: FOUNDATION SECTIONS AND DETAILS

WBRC CAD FILE: C:\Users\jpc\Documents\40710 - ASYLUM DANCE CLUB - 38 FND CT - 060601.rvt

PROJECT No: 4071.10

SCALE: As indicated

PROJECT MANAGER: JRB

DRAWN BY: ADG/RAD/JHW

CHECKED BY: JPC

SHEET No: **S-303**