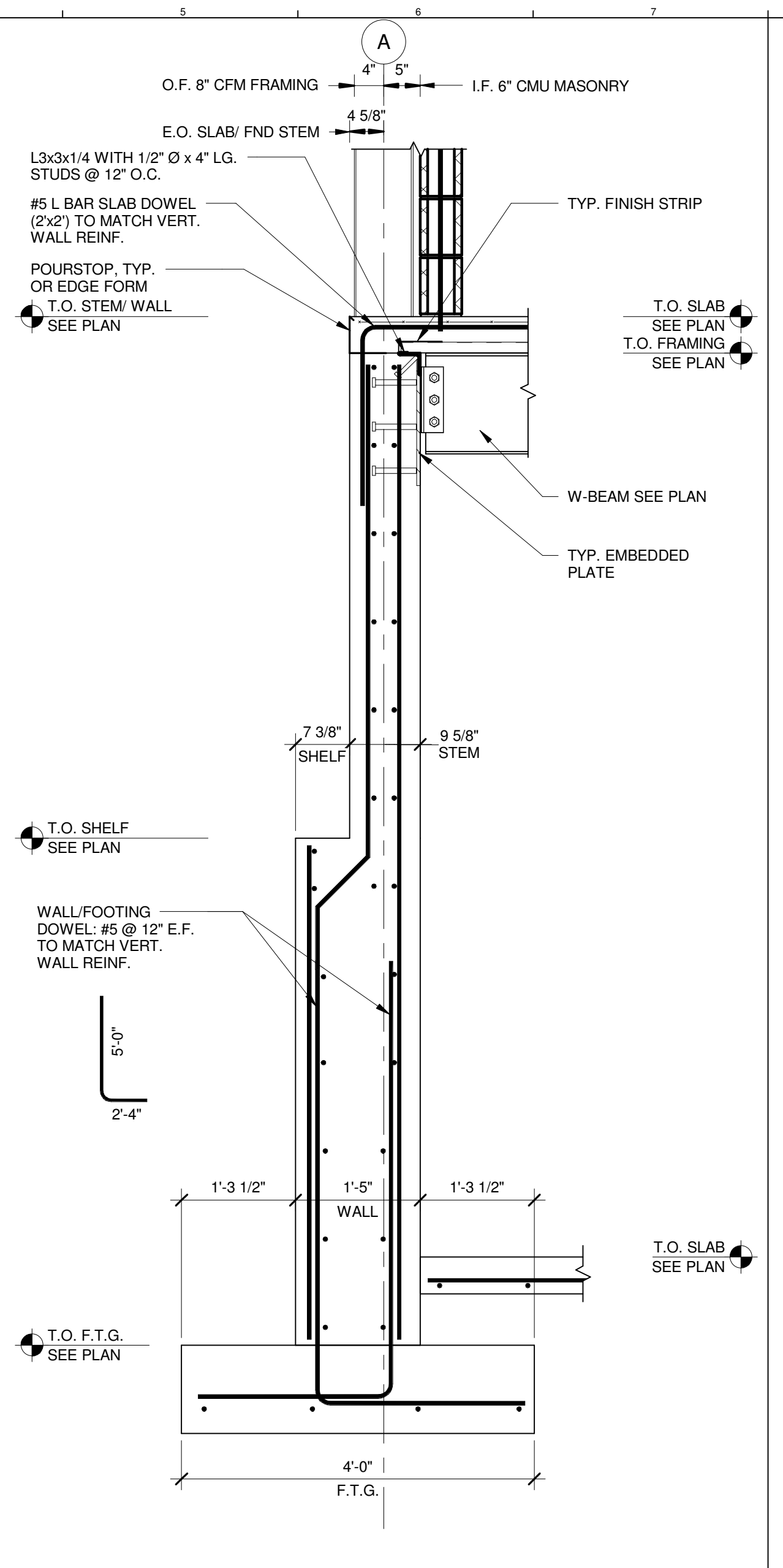
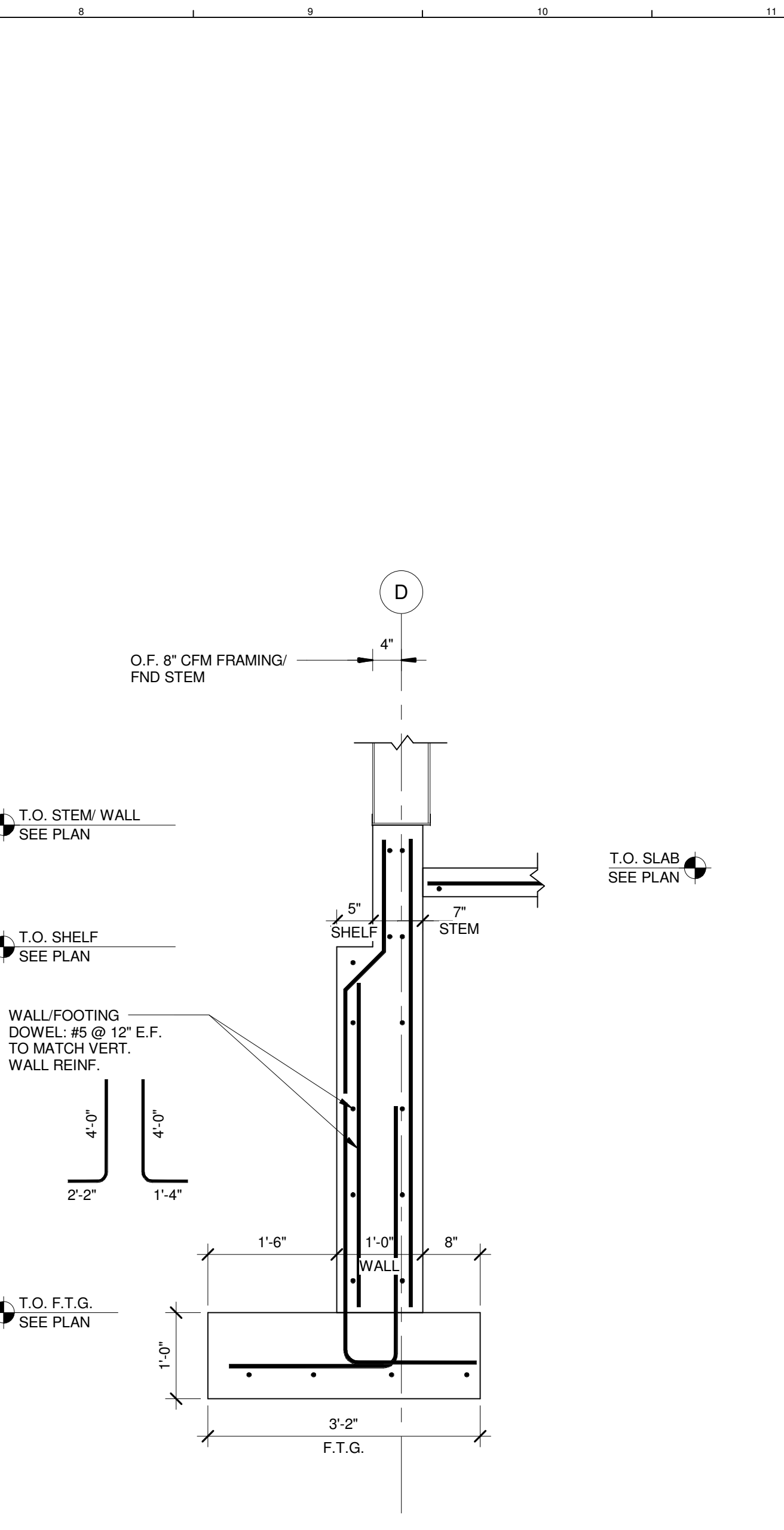


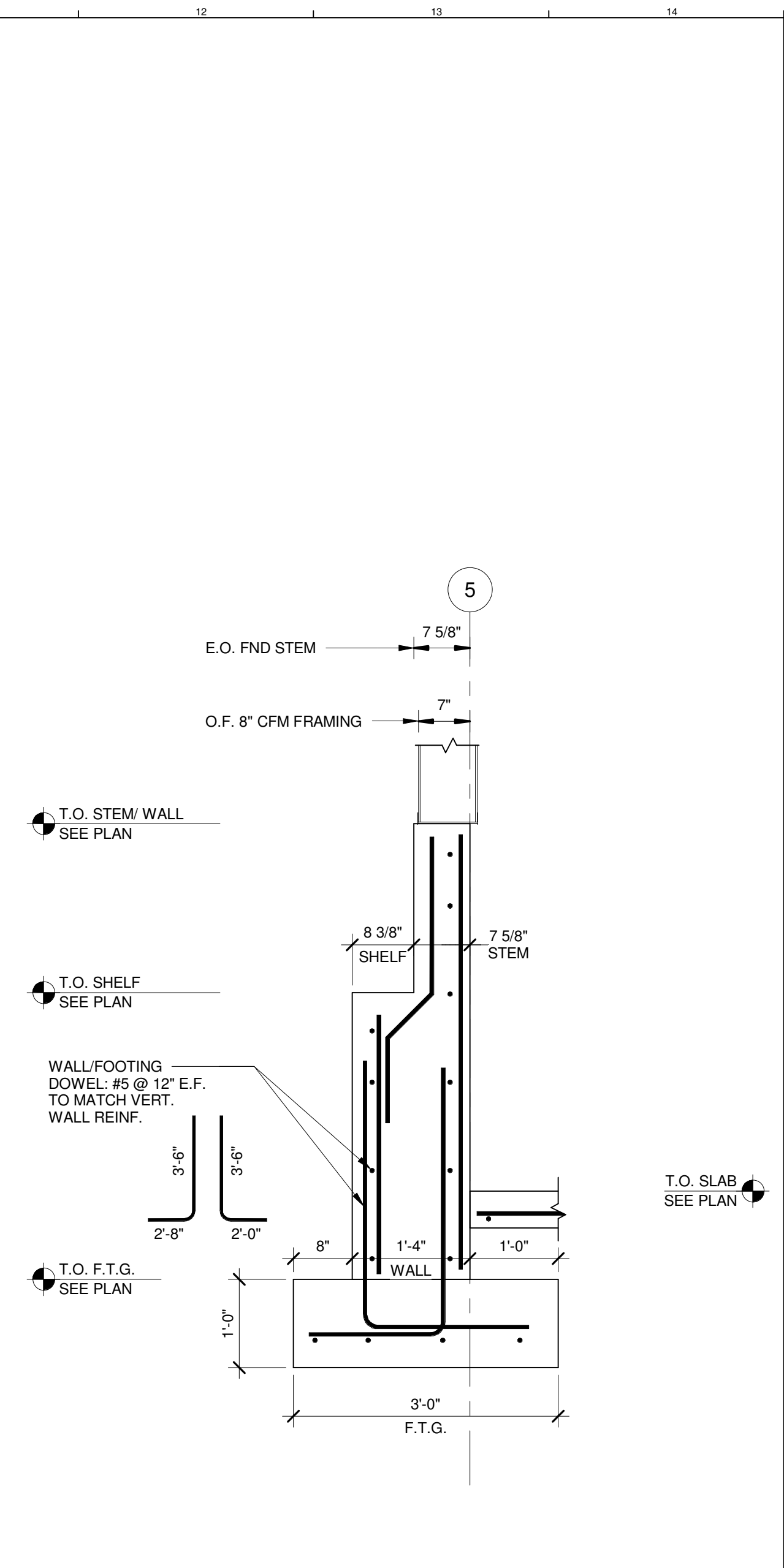
F1 FOUNDATION SECTION
3/4" = 1'-0"



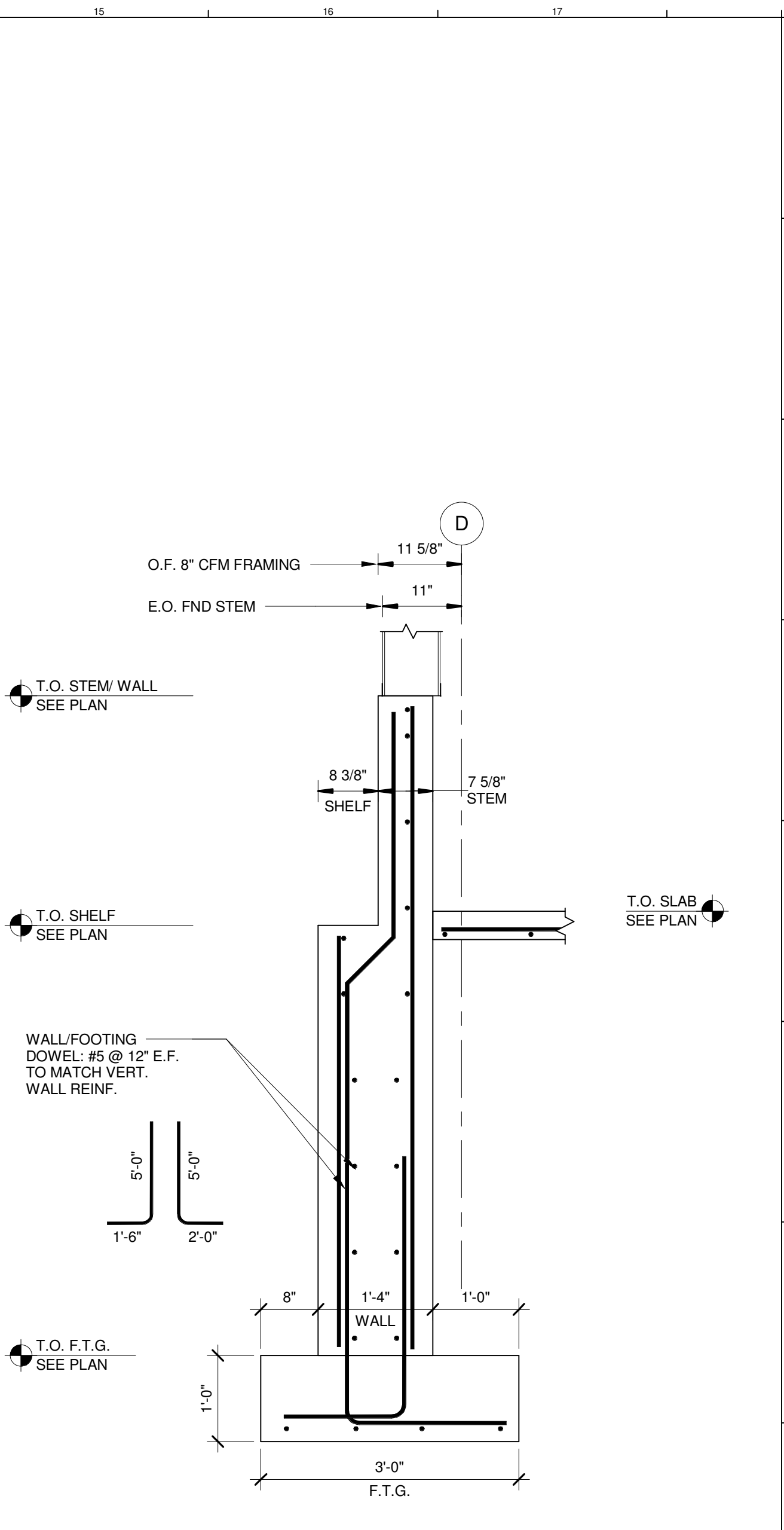
F4 FOUNDATION SECTION
3/4" = 1'-0"



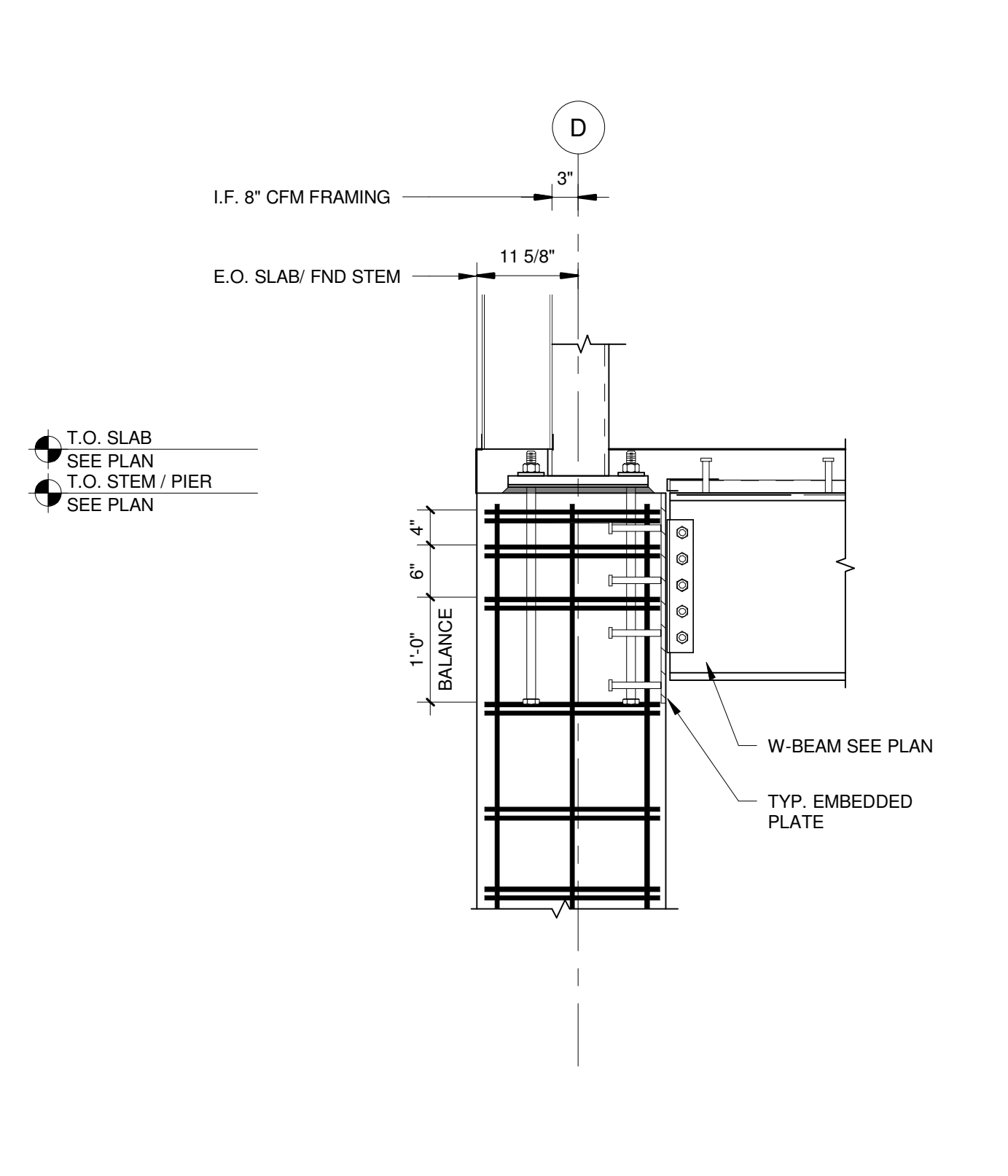
F8 FOUNDATION SECTION
3/4" = 1'-0"



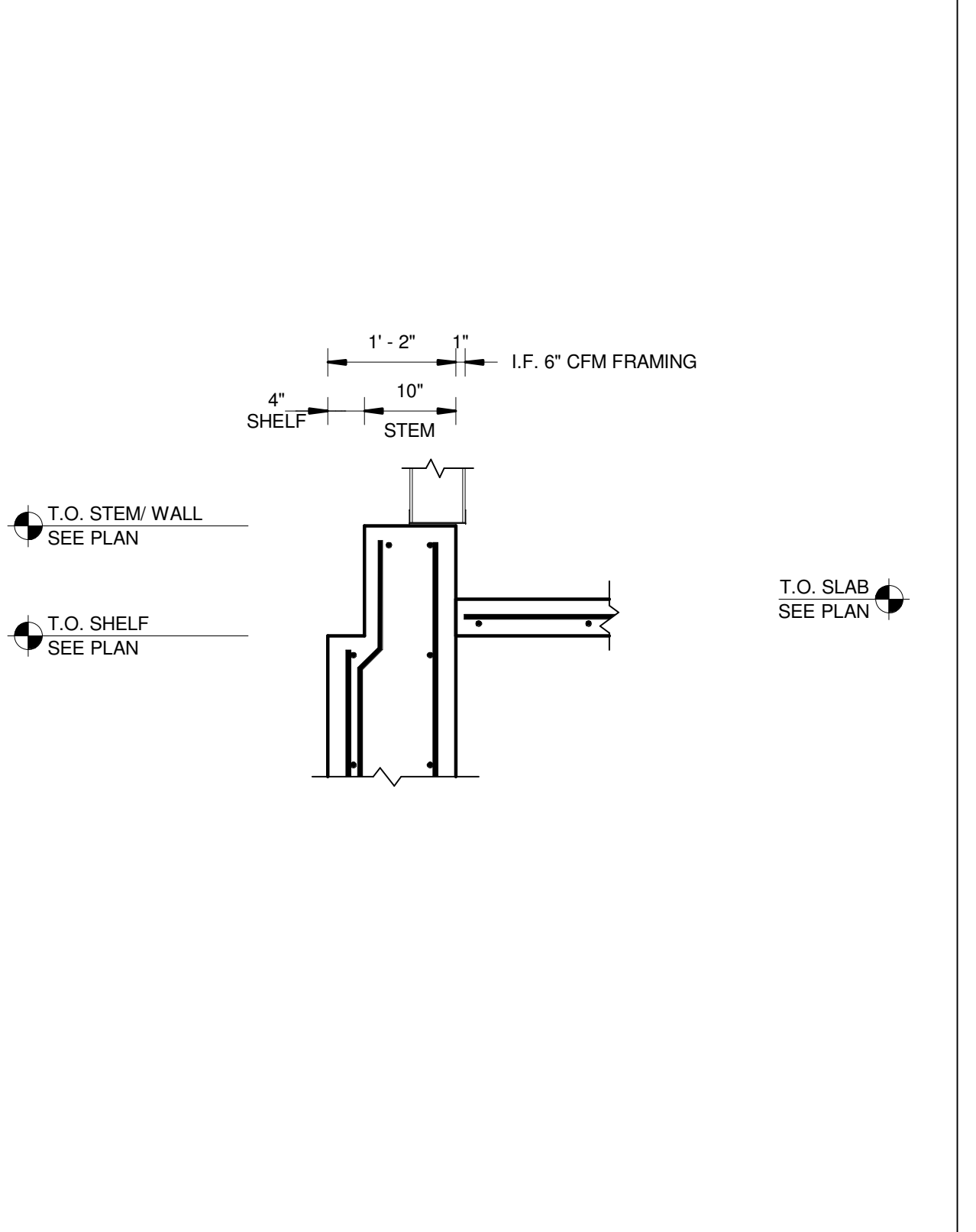
F11 FOUNDATION SECTION
3/4" = 1'-0"



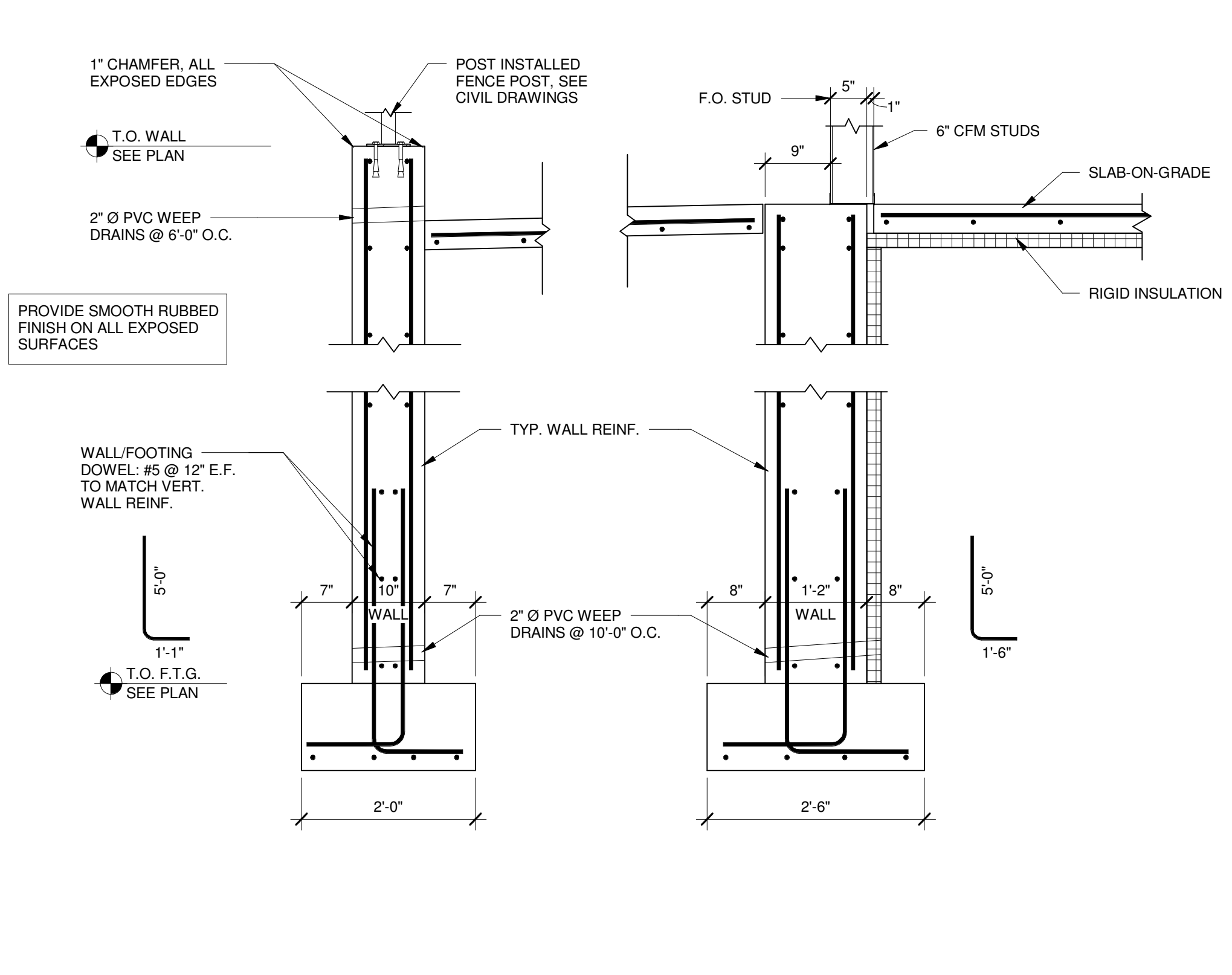
F15 FOUNDATION SECTION
3/4" = 1'-0"



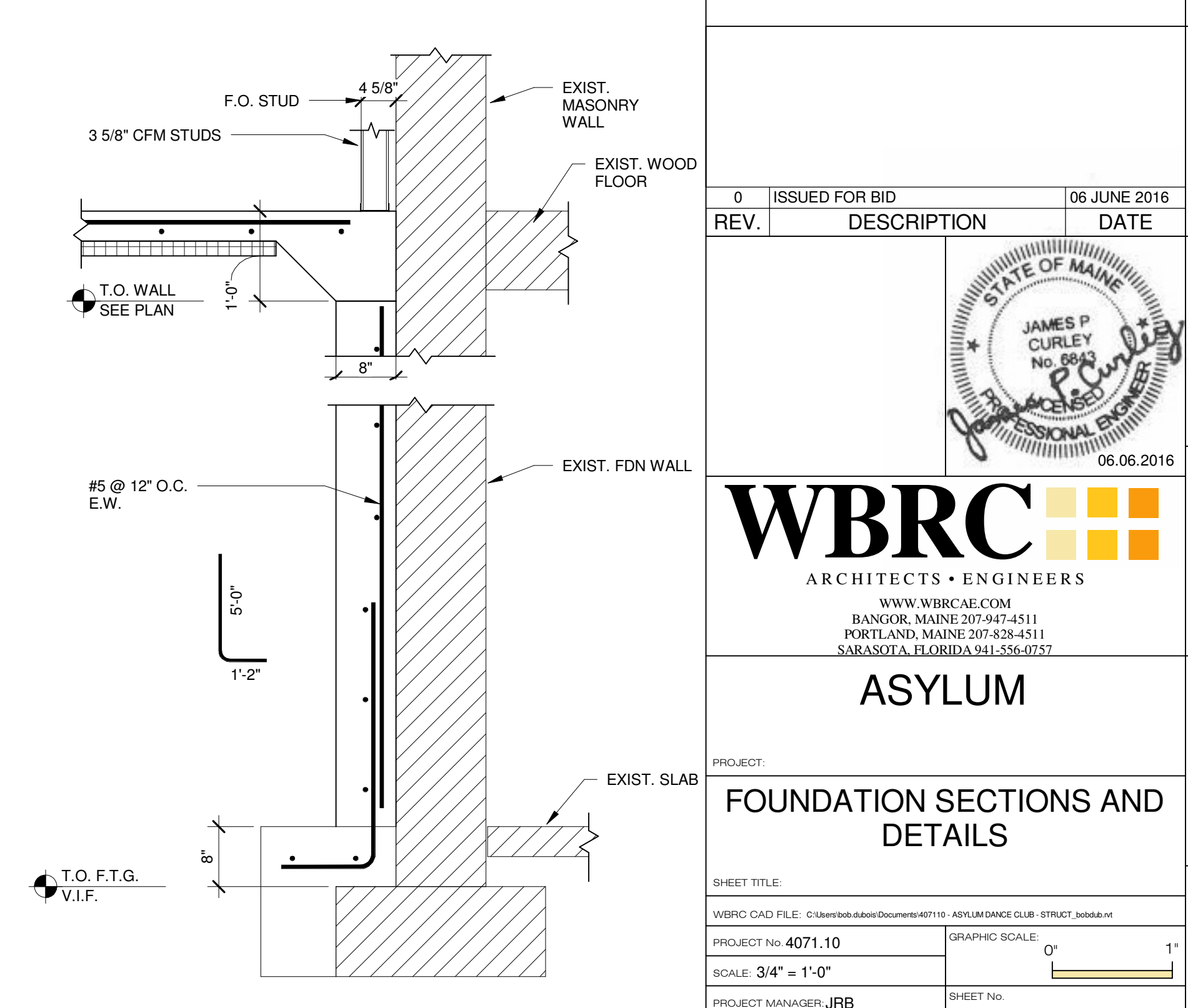
A1 SECTION
3/4" = 1'-0"



A4 KITCHEN - OUTSIDE
3/4" = 1'-0"



A8 FOUNDATION SECTION - KITCHEN ADDITION
3/4" = 1'-0"



A9 FOUNDATION SECTION - KITCHEN ADDITION
3/4" = 1'-0"

REV.	DESCRIPTION	DATE
0	ISSUED FOR BID	06 JUNE 2016

WBRC
 ARCHITECTS • ENGINEERS
 WWW.WBRCAE.COM
 BANGOR, MAINE 207-947-4511
 PORTLAND, MAINE 207-838-4511
 SARASOTA, FLORIDA 341-356-0757

PROJECT: **ASYLUM**
FOUNDATION SECTIONS AND DETAILS
 SHEET TITLE:
 WBRC CAD FILE: C:\Users\jpc\Documents\407110 - ASYLUM DANCE CLUB - STRUCT_30306.dwg
 PROJECT No: **4071.10**
 SCALE: **3/4" = 1'-0"**
 PROJECT MANAGER: JRB
 DRAWN BY: ADG/RAD/JHW
 CHECKED BY: JPC

S-302