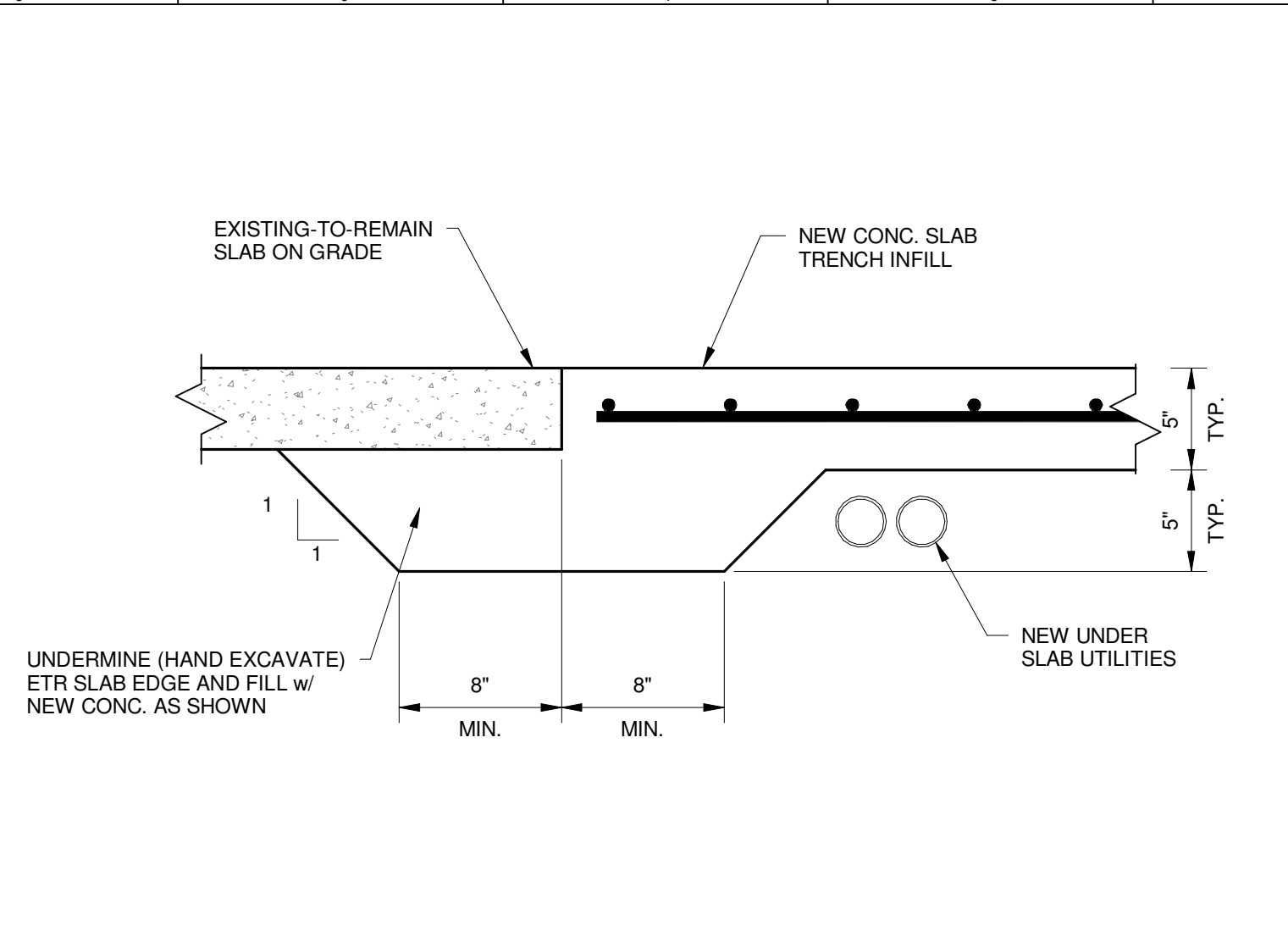
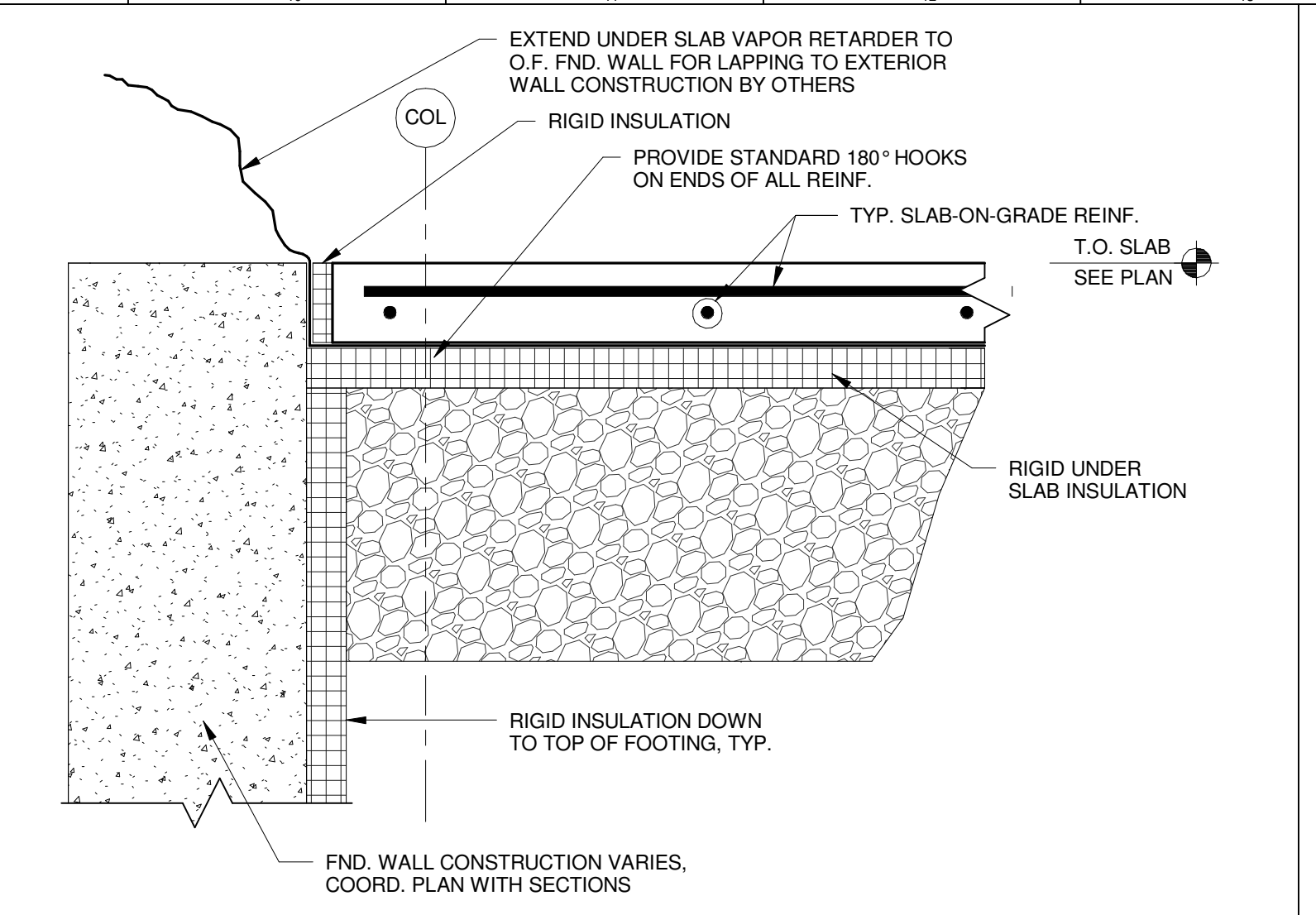


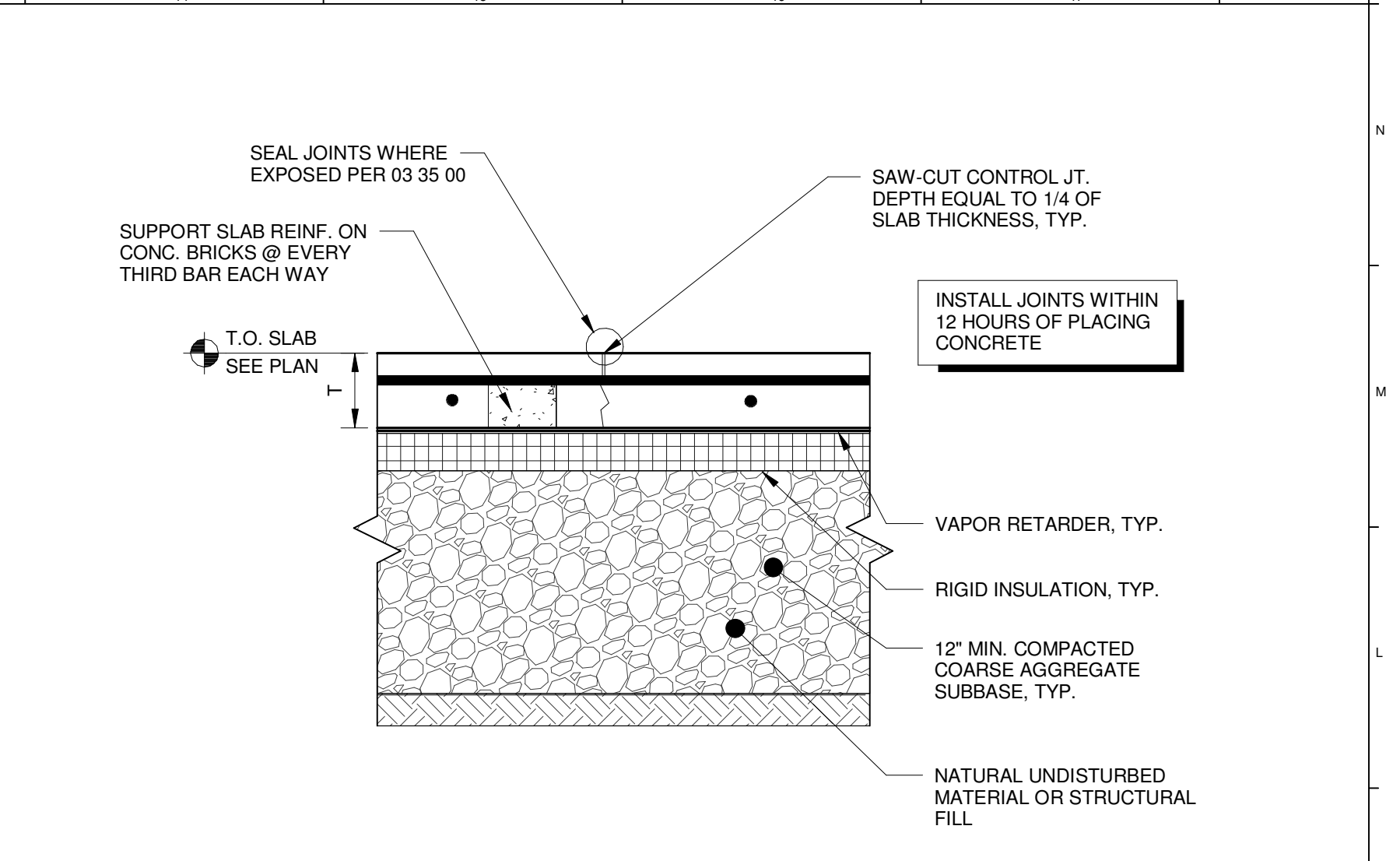
K1 TYPICAL SLAB CONSTRUCTION JOINT
1 1/2" = 1'-0"



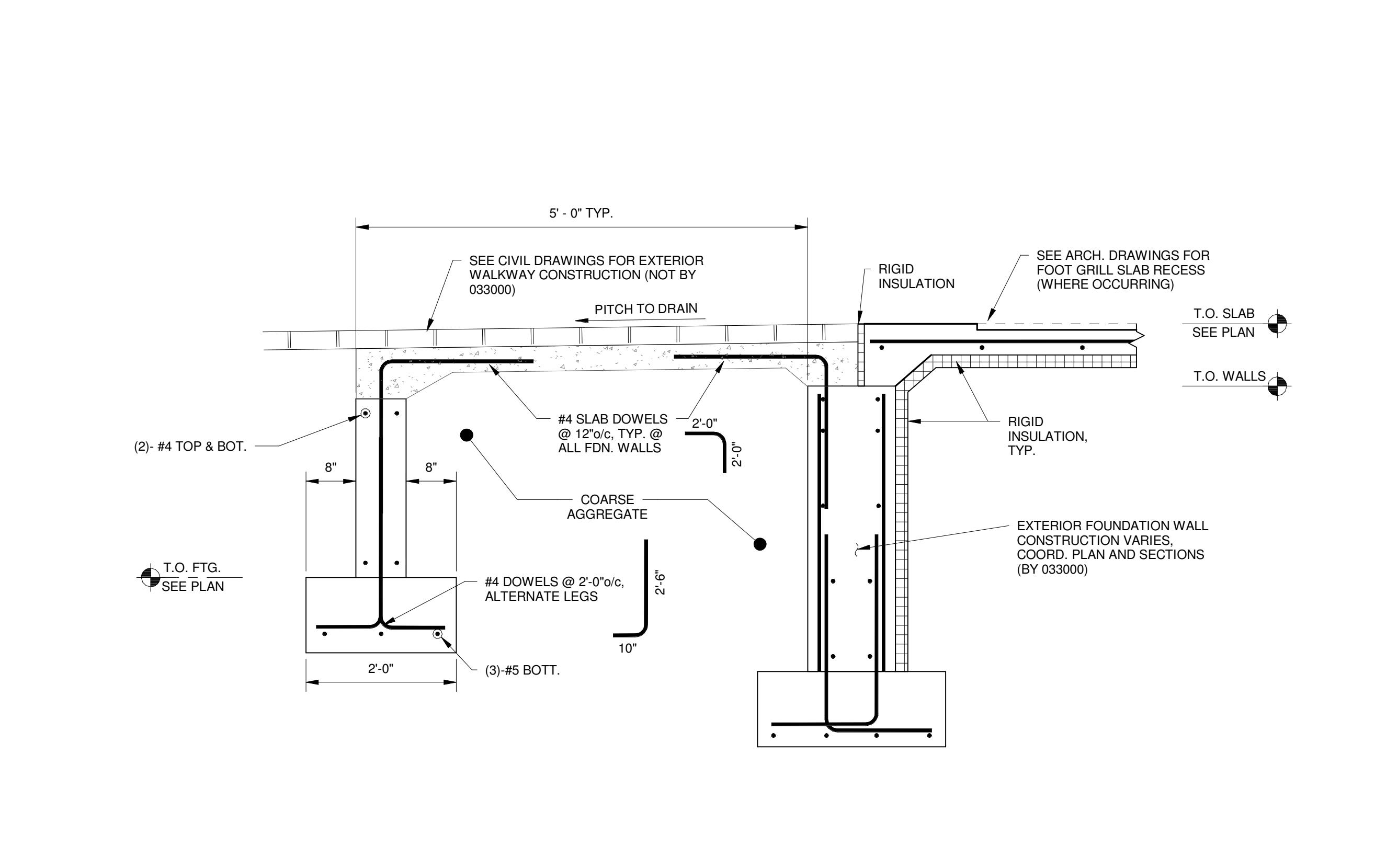
K5 TYPICAL SLAB INFILL
1 1/2" = 1'-0"



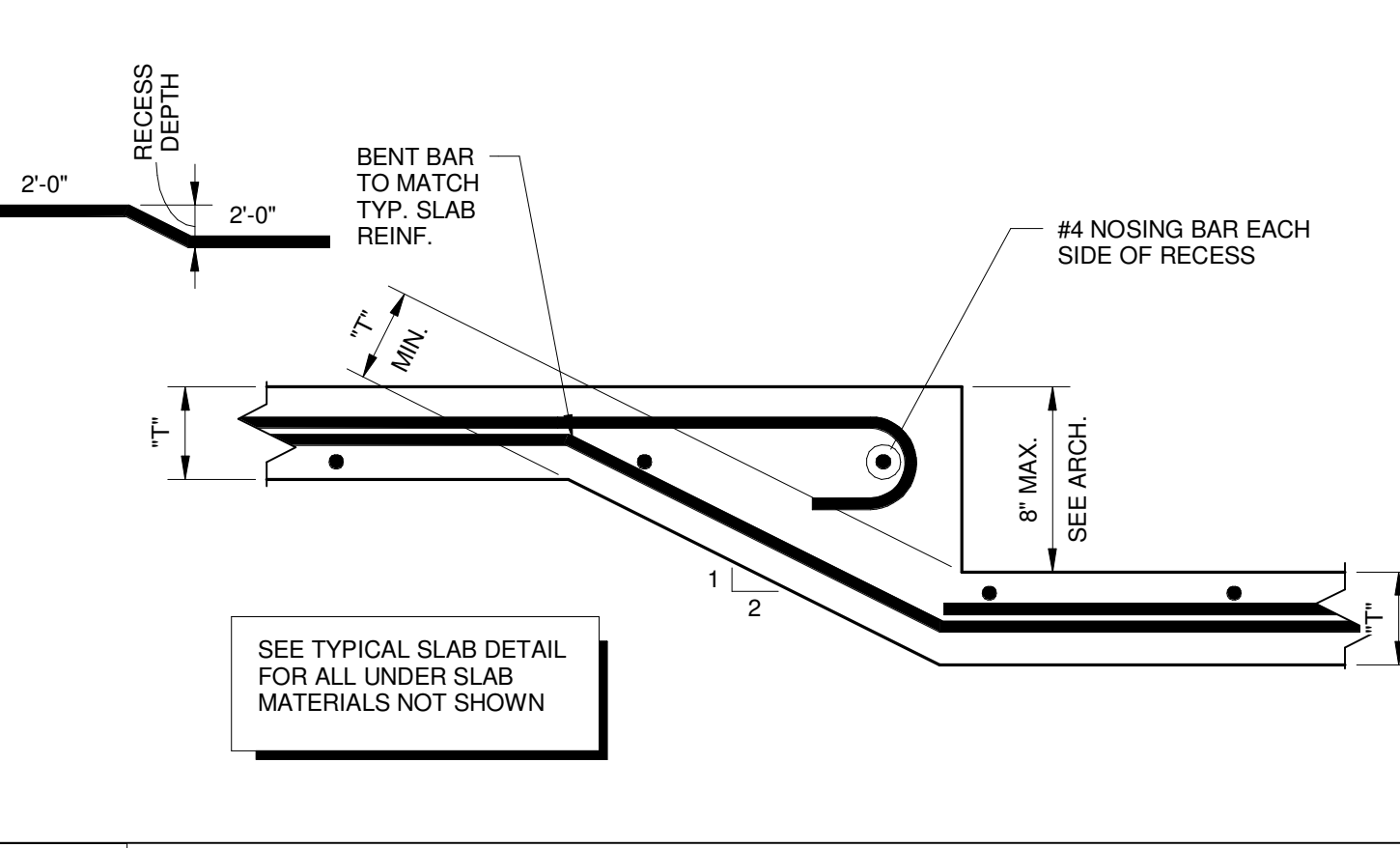
K9 TYPICAL SLAB EDGE
1 1/2" = 1'-0"



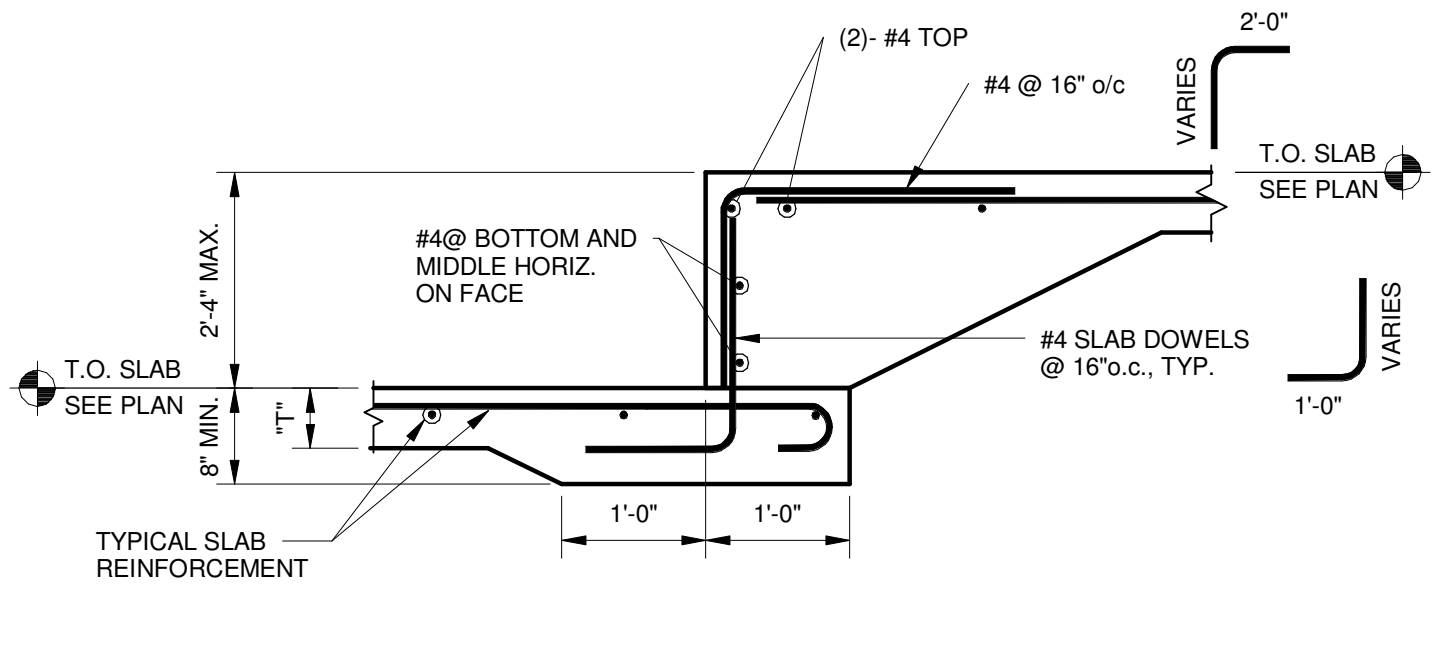
K13 TYPICAL SLAB-ON-GRADE
1 1/2" = 1'-0"



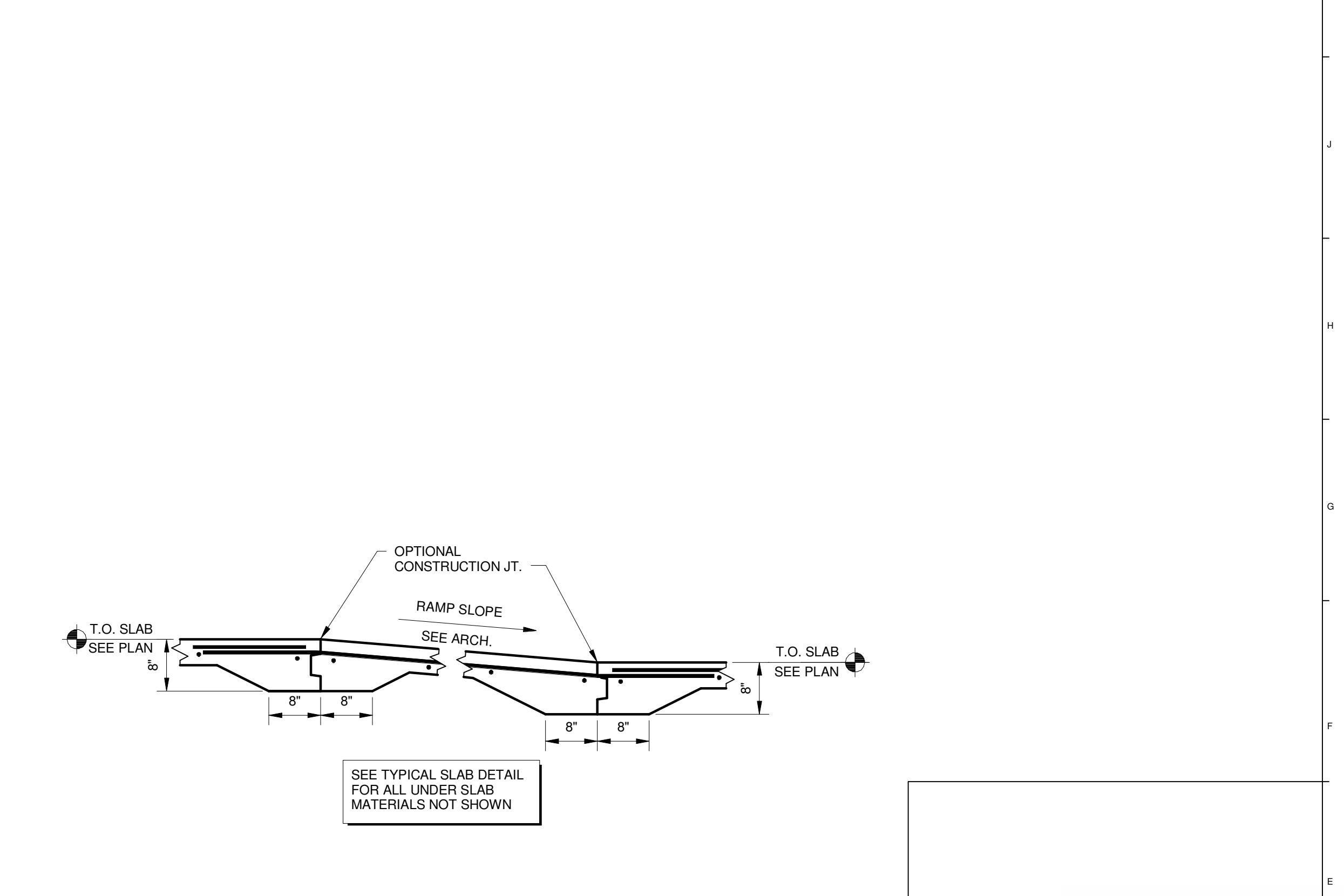
E1 TYPICAL FROST WALLS AT EXTERIOR ENTRIES w/ PAVERS
3/4" = 1'-0"



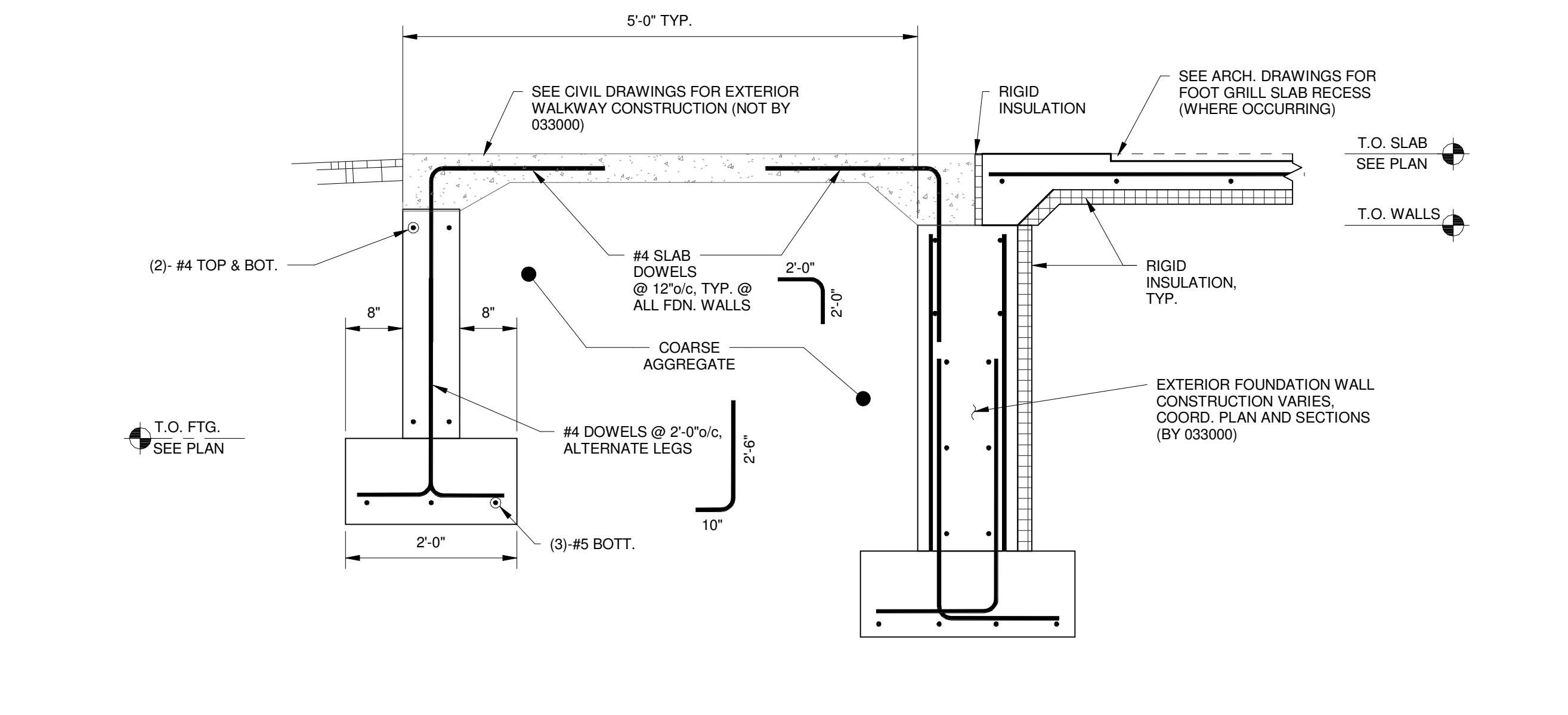
G8 TYPICAL SHALLOW SLAB RECESS
1 1/2" = 1'-0"



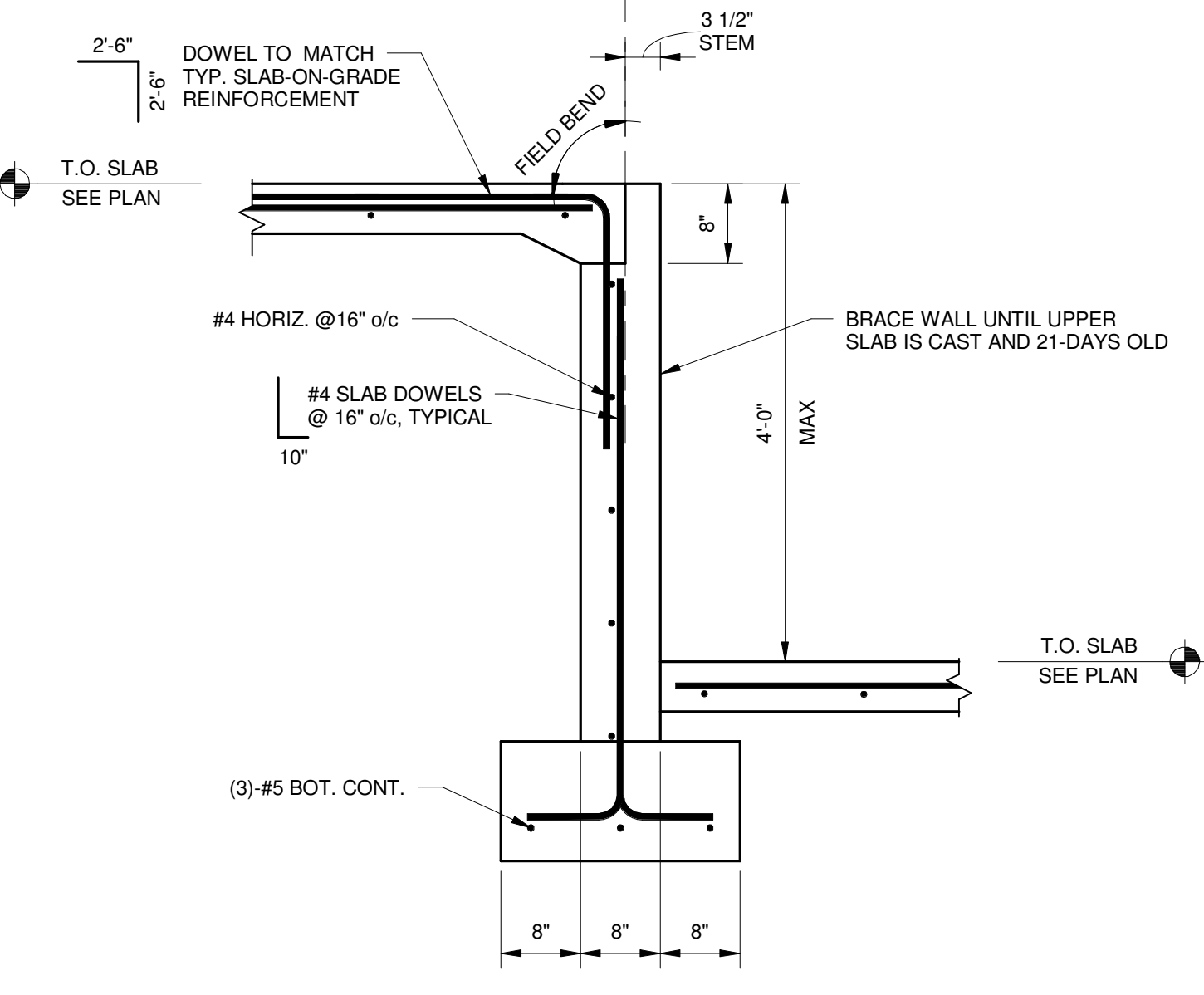
E8 TYPICAL DEEP SLAB RECESS
3/4" = 1'-0"



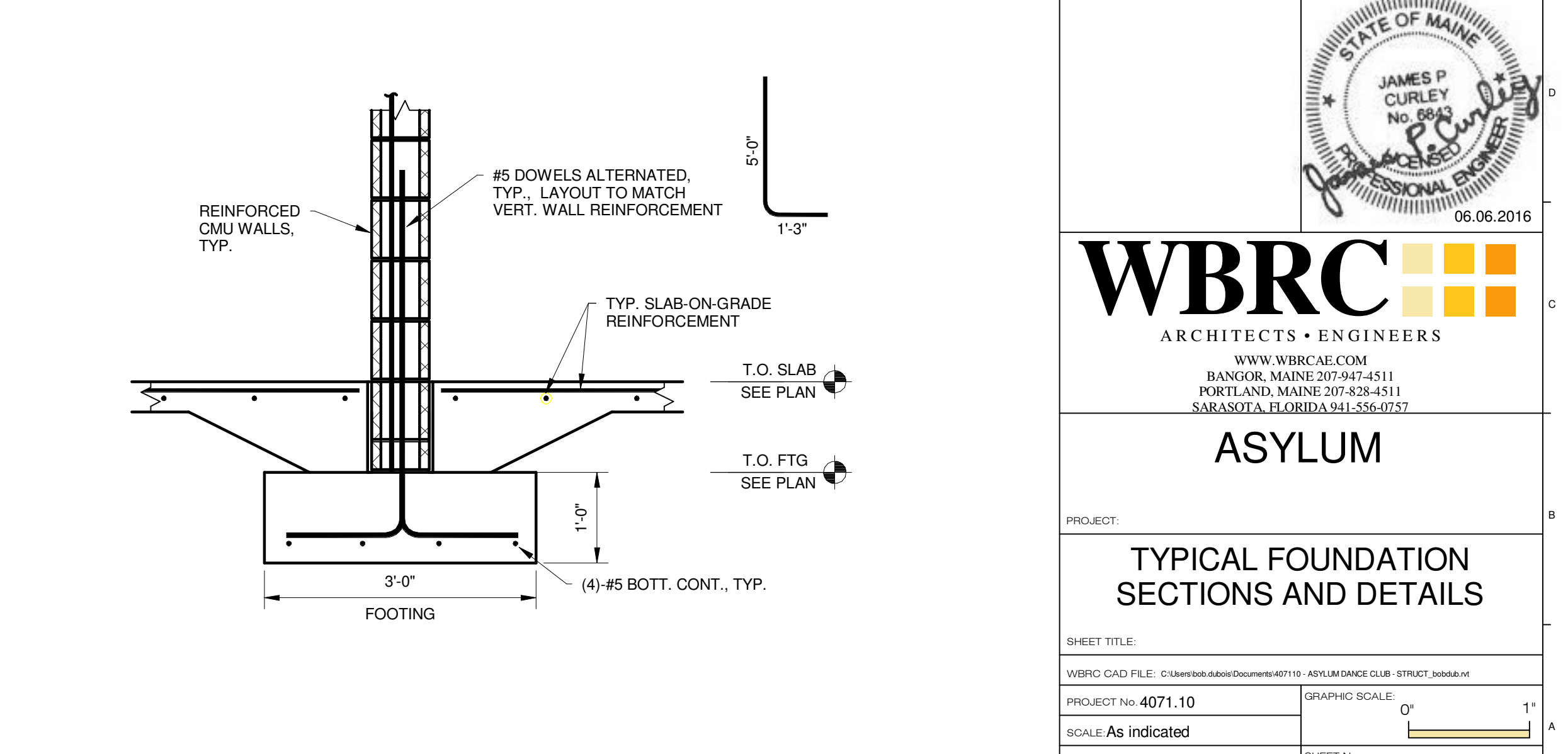
E12 TYPICAL CONCRETE RAMP
3/4" = 1'-0"



A1 TYPICAL FROST WALLS AT EXTERIOR ENTRIES
3/4" = 1'-0"



A8 TYPICAL INTERNAL FOUNDATION WALL
3/4" = 1'-0"



A12 CMU BEARING WALL FOOTING
3/4" = 1'-0"

REV.	DESCRIPTION	DATE
0	ISSUED FOR BID	06 JUNE 2016

WBRC
ARCHITECTS • ENGINEERS
WWW.WBRCAE.COM
BANGOR, MAINE 207-947-4511
PORTLAND, MAINE 207-838-4511
SARASOTA, FLORIDA 941-356-0757

ASYLUM

PROJECT:
TYPICAL FOUNDATION SECTIONS AND DETAILS

SHEET TITLE:
WBRC CAD FILE: C:\Users\jpc\Documents\407110 - ASYLUM DANCE CLUB - 35 PROJ.ctb

PROJECT No: 4071.10
SCALE: As Indicated

PROJECT MANAGER: JRB
DRAWN BY: ADG/RAD/JHW
CHECKED BY: JPC

SHEET No:
S-301