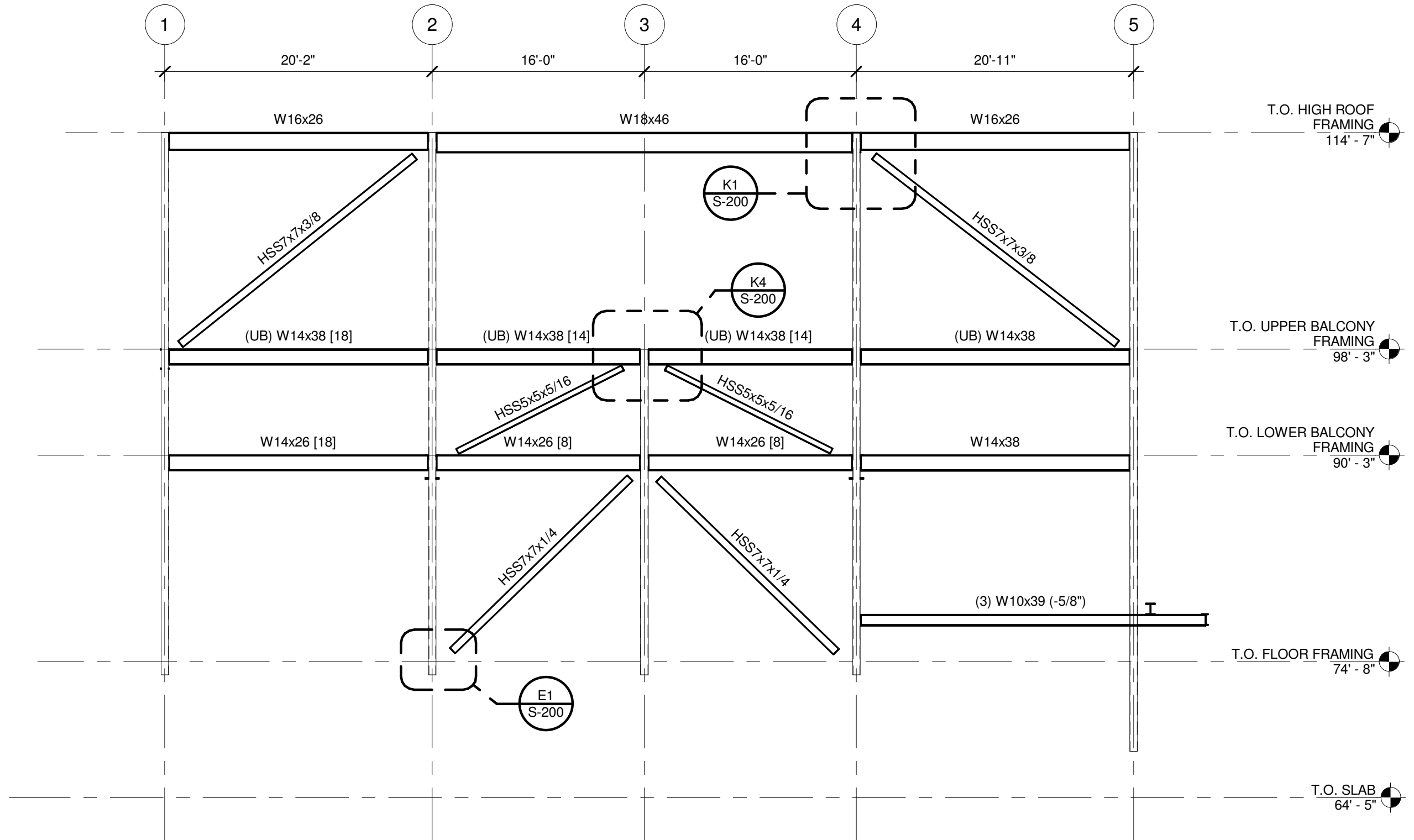
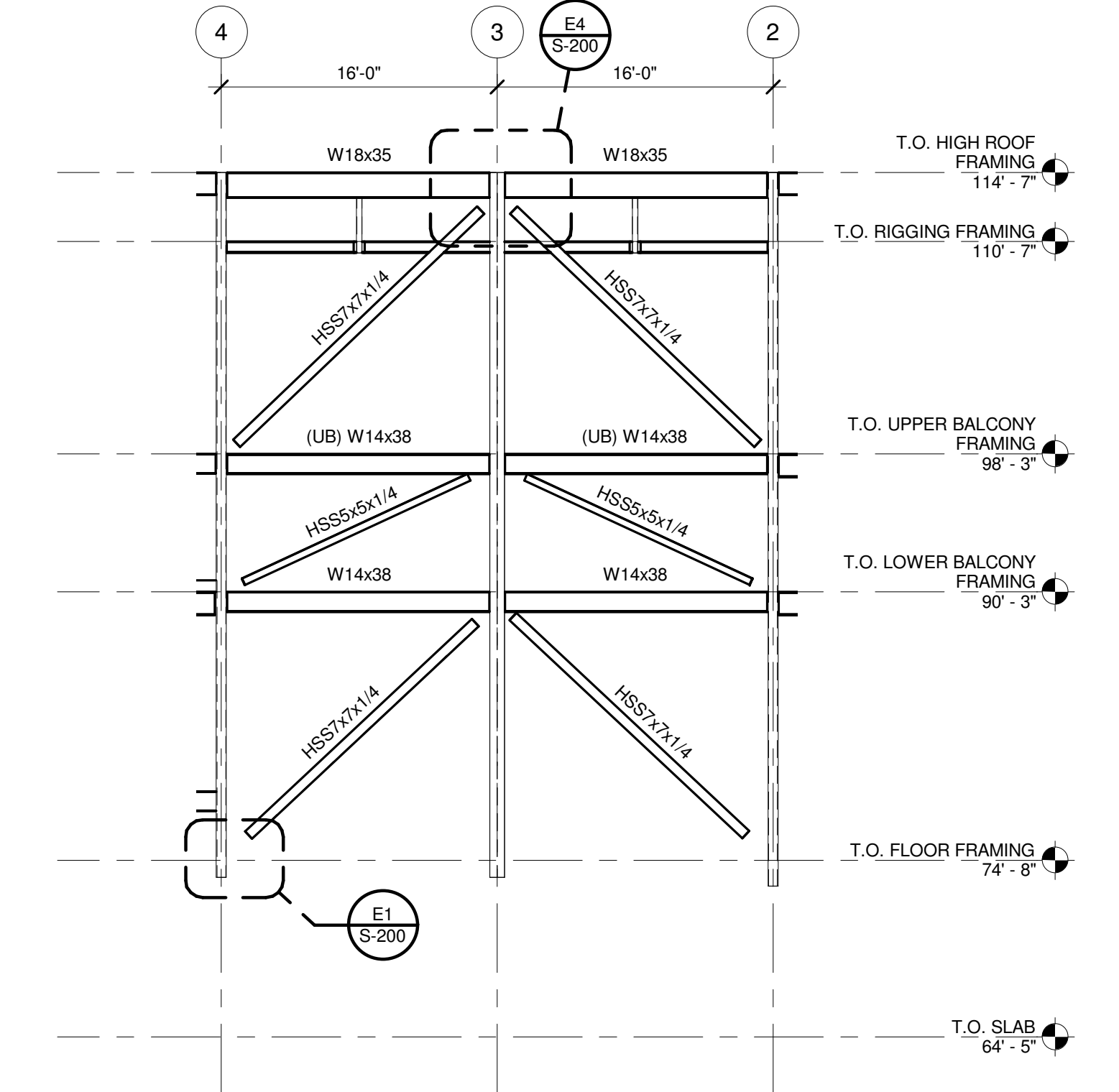


**G1 BRACING ELEVATION 1-Line**  
1/8" = 1'-0"

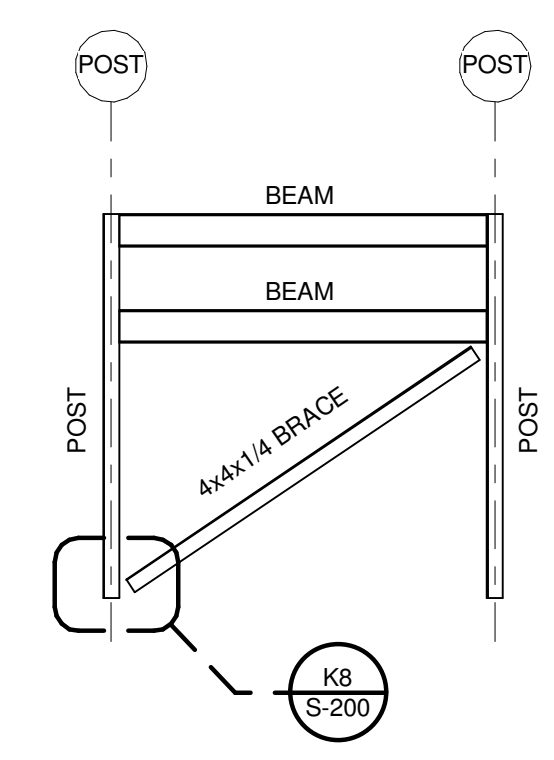


**G6 BRACING ELEVATION D-Line**  
1/8" = 1'-0"



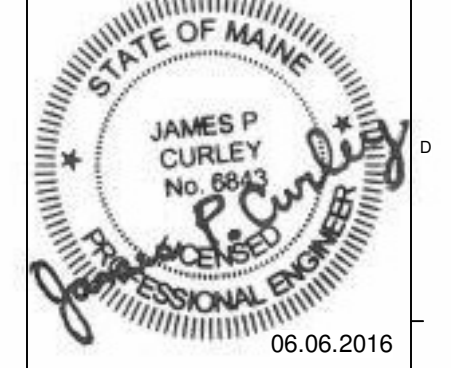
**G14 BRACING ELEVATION A-Line**  
1/8" = 1'-0"

SEE UPPER BALCONY PLAN S-104B FOR BALCONY TIER SEATING BRACE LOCATIONS



**A1 TYPICAL BALCONY BRACING**  
1/4" = 1'-0"

REV.	DESCRIPTION	DATE
0	ISSUED FOR BID	06 JUNE 2016



**WBRC**  
ARCHITECTS • ENGINEERS  
WWW.WBRCAE.COM  
BANGOR, MAINE 207-947-4511  
PORTLAND, MAINE 207-838-4511  
SARASOTA, FLORIDA 341-356-0757

PROJECT:  
**ASYLUM**  
BRACING ELEVATIONS

SHEET TITLE:  
WBRC CAD FILE: C:\Users\jrb\Documents\110 - ASYLUM DANCE CLUB - STRUCT\_30806.rvt  
PROJECT No: 4071.10 GRAPHIC SCALE: 0" = 1"  
SCALE: As Indicated  
PROJECT MANAGER: JRB  
DRAWN BY: ADG/RAD/JHW  
CHECKED BY: JPC  
SHEET No:  
**S-201**