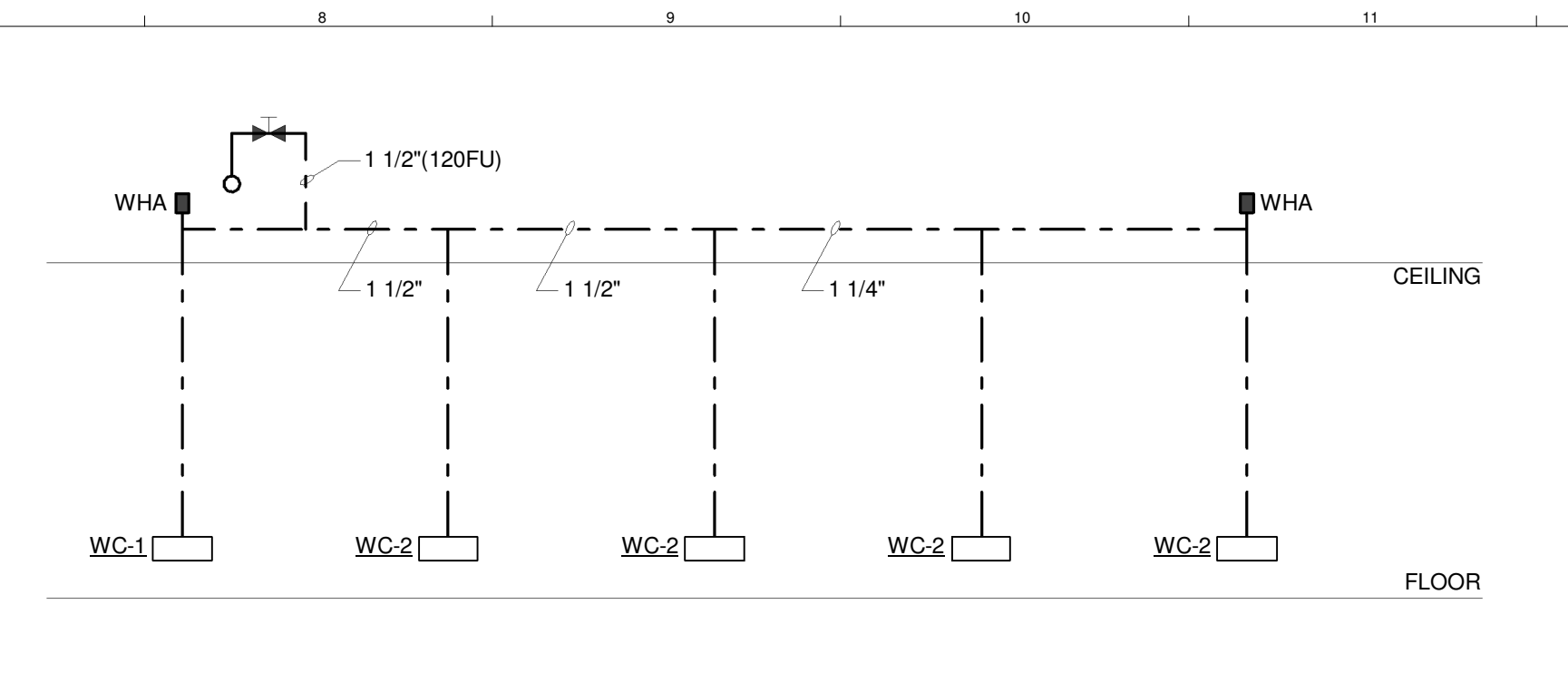
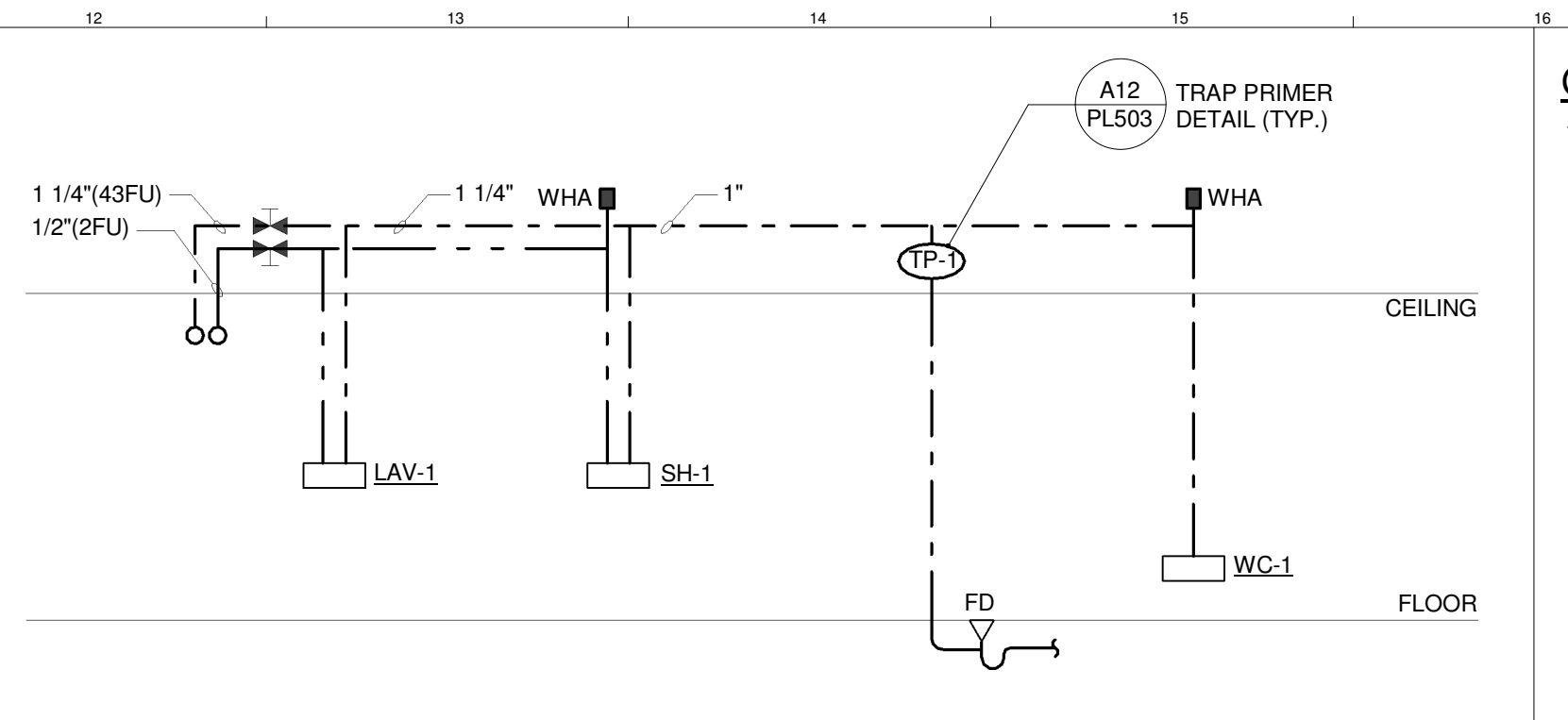


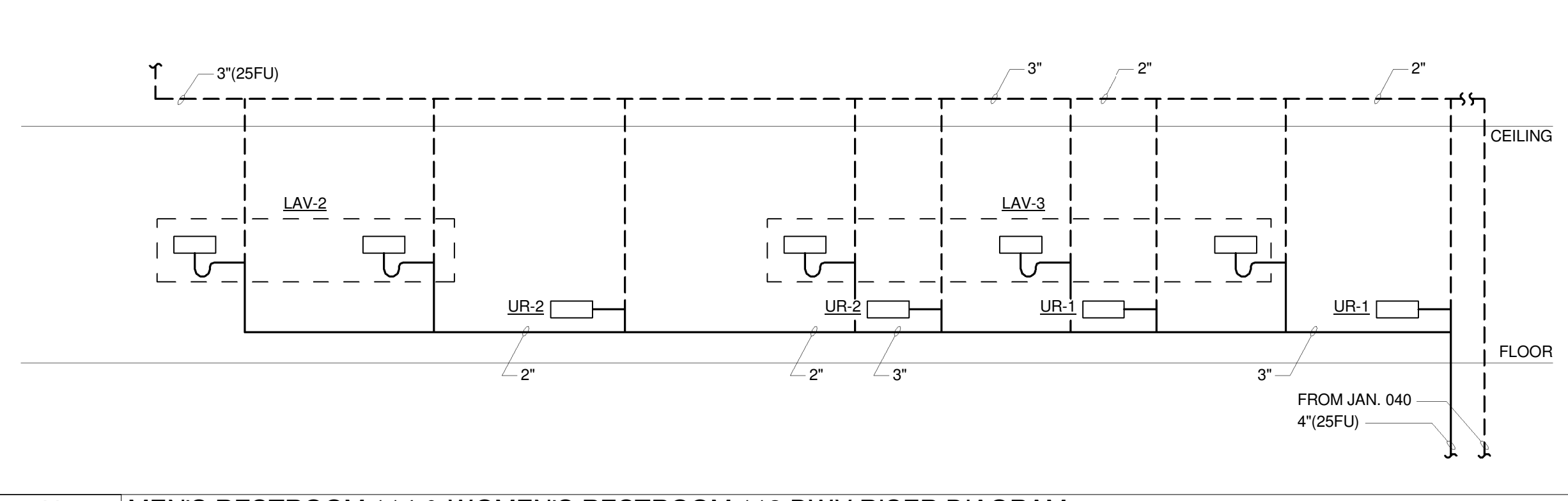
L1 MEN'S RESTROOM 114 & WOMEN'S RESTROOM 113 WATER RISER DIAGRAM
NTS



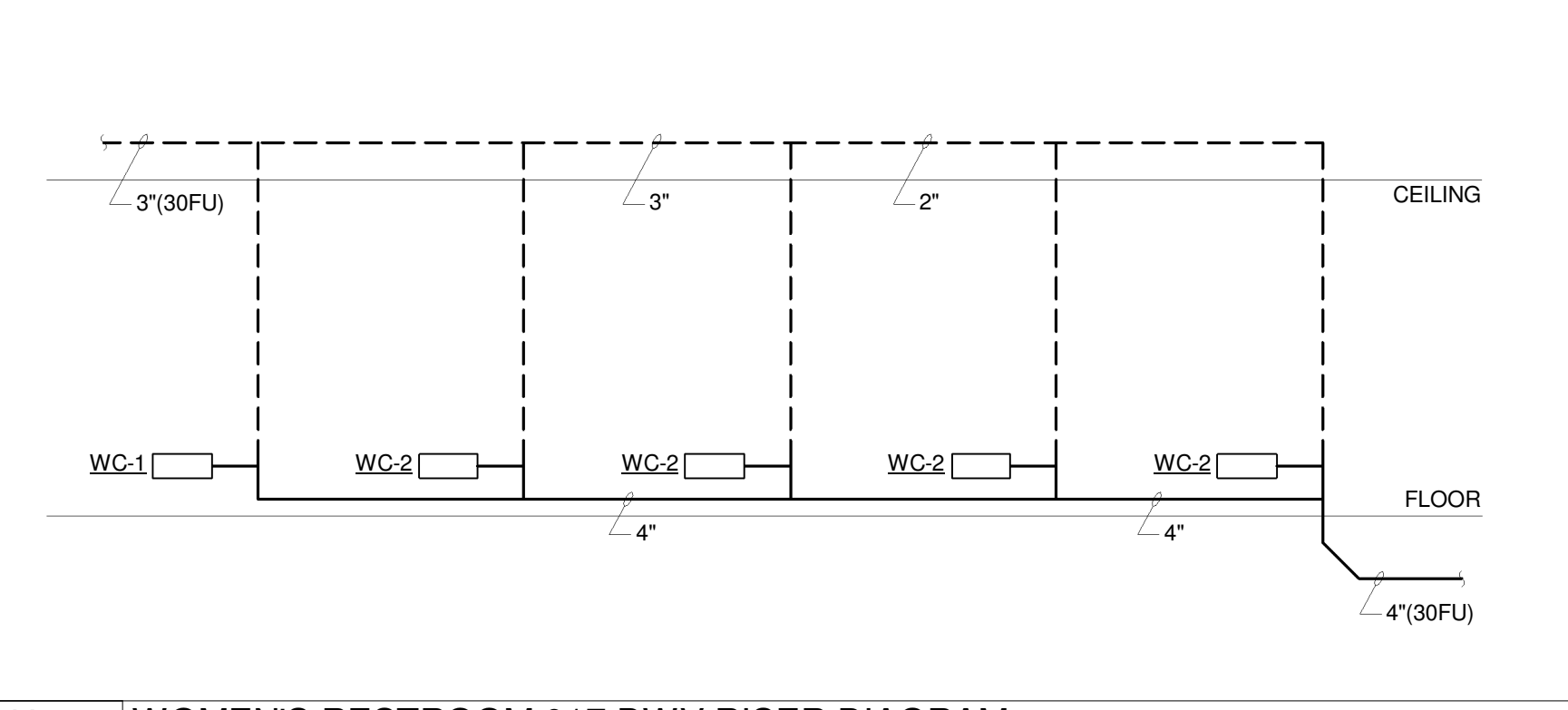
L7 WOMEN'S RESTROOM 017 WATER RISER DIAGRAM
NTS



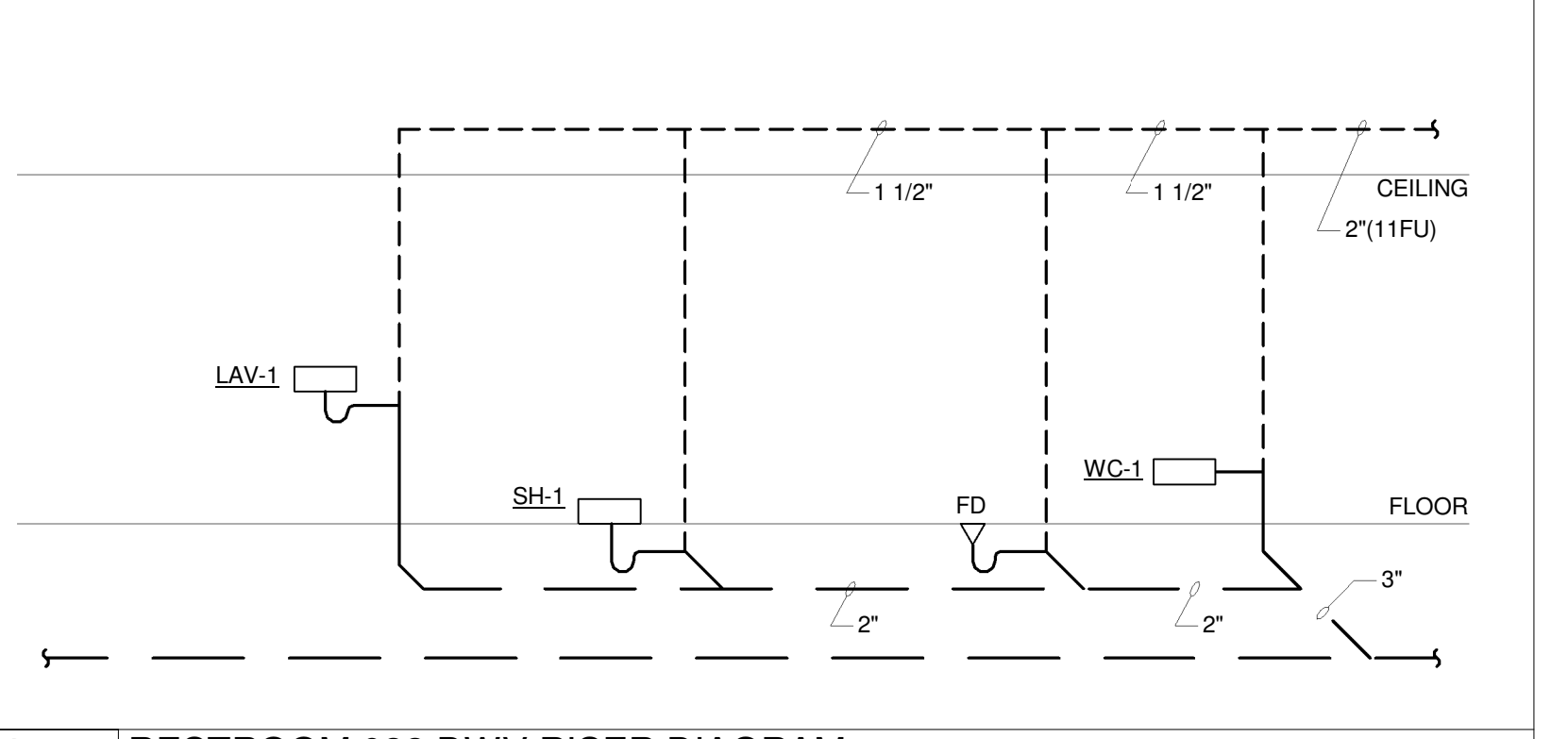
L12 RESTROOM 022 WATER RISER DIAGRAM
NTS



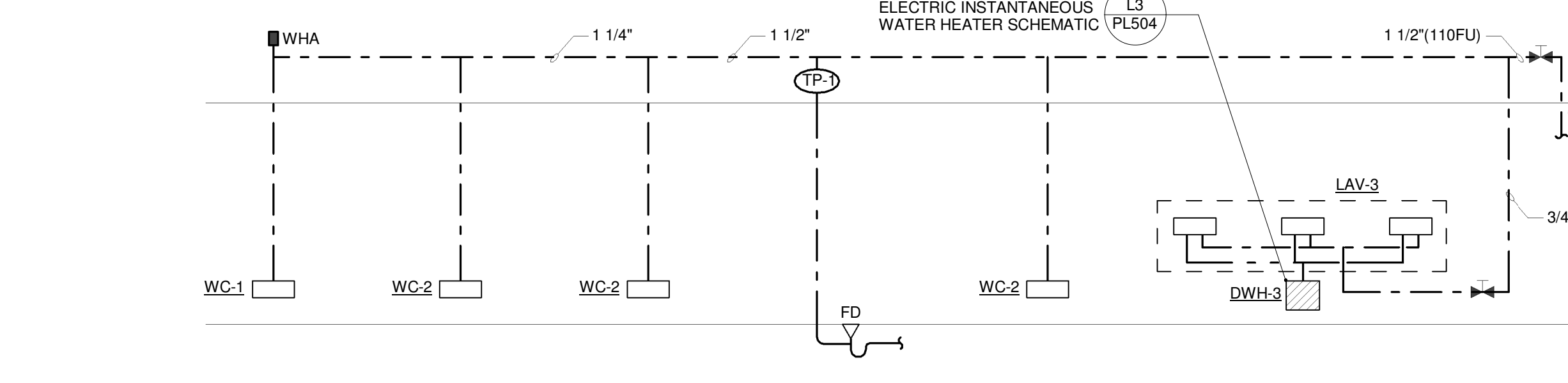
H1 MEN'S RESTROOM 114 & WOMEN'S RESTROOM 113 DWV RISER DIAGRAM
NTS



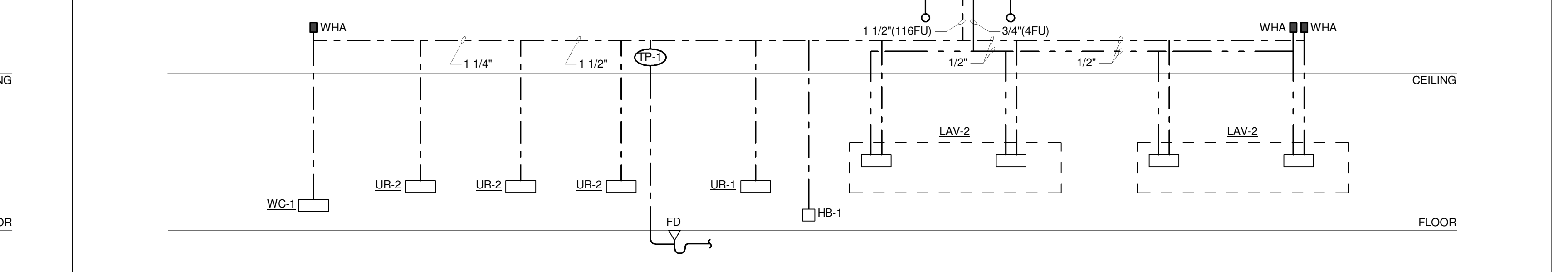
H7 WOMEN'S RESTROOM 017 DWV RISER DIAGRAM
NTS



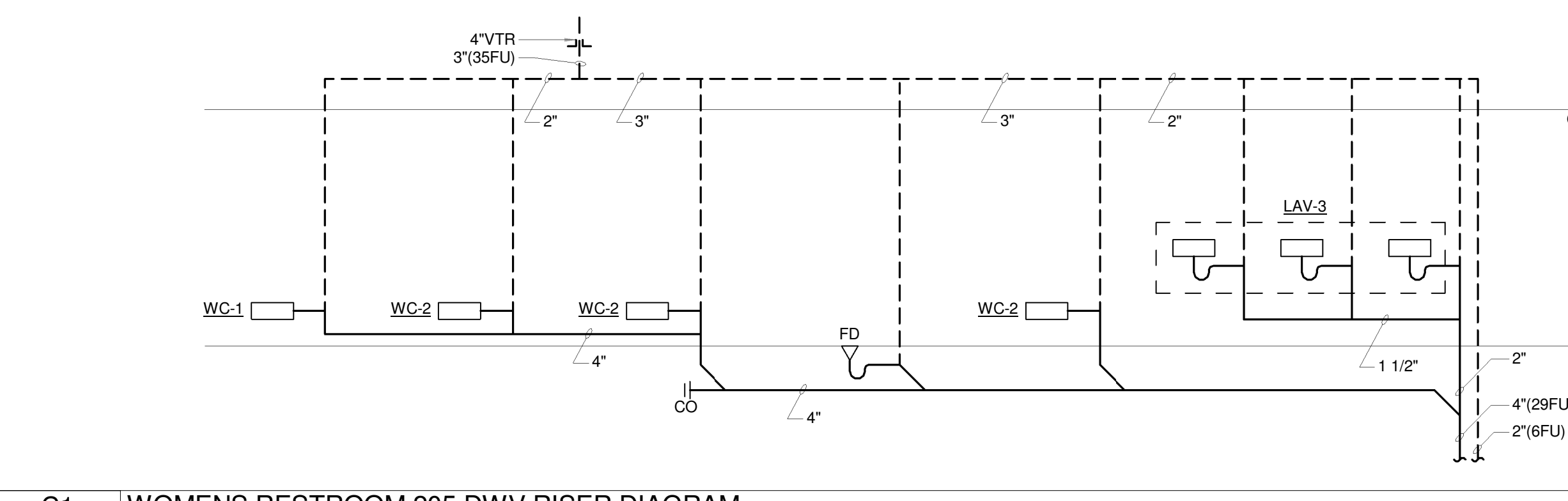
H12 RESTROOM 022 DWV RISER DIAGRAM
NTS



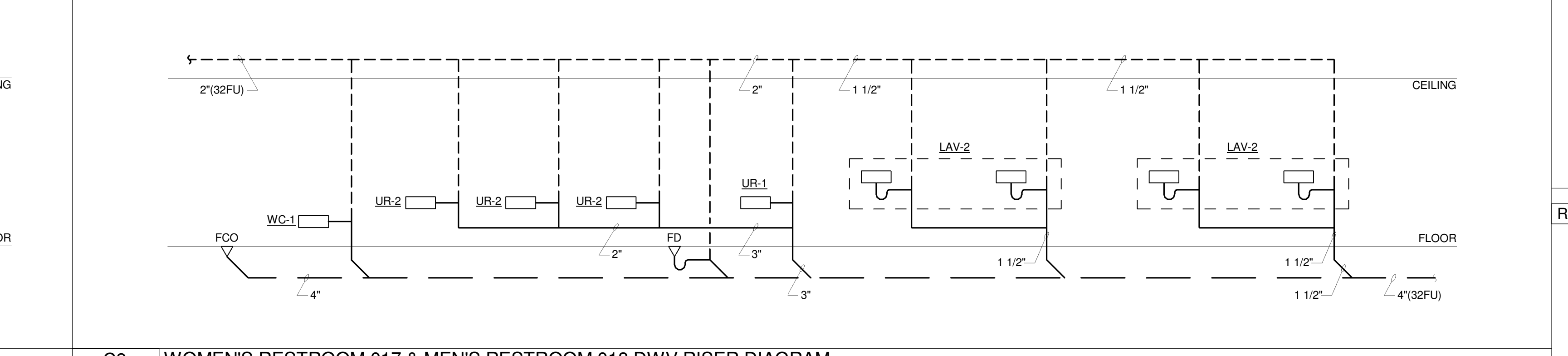
F1 WOMENS RESTROOM 205 WATER RISER DIAGRAM
NTS



F8 WOMEN'S RESTROOM 017 & MEN'S RESTROOM 018 WATER RISER DIAGRAM
NTS



C1 WOMENS RESTROOM 205 DWV RISER DIAGRAM
NTS



C8 WOMEN'S RESTROOM 017 & MEN'S RESTROOM 018 DWV RISER DIAGRAM
NTS

GENERAL NOTES:
1. ALL SANITARY WASTE AND VENT PIPING SIZED AT 1/4" PER FOOT MIN. PITCH.

REV.	DESCRIPTION	DATE
0	ISSUED FOR BID	06 JUNE 2016



WBRC
ARCHITECTS ENGINEERS
WWW.WBRCAE.COM
BANGOR, MAINE 207-947-4511
PORTLAND, MAINE 207-428-4511
SARASOTA, FLORIDA 941-556-0757

ASYLUM
PROJECT:
PLUMBING RISER DIAGRAMS

SHEET TITLE:

WBRC CAD FILE: 407110 - ASYLUM DANCE CLUB - MECH-INT

PROJECT No. **4071.10** GRAPHIC SCALE: 0" = 1"

SCALE: **AS INDICATED**

PROJECT MANAGER: **JRB** SHEET No. **PL502**

DRAWN BY: **CGB**

CHECKED BY: **DMON**

6/3/2016 4:20:46 PM C:\Users\courmey\Documents\407110 - ASYLUM DANCE CLUB - MECH-INT\courmey\bunker.rvt