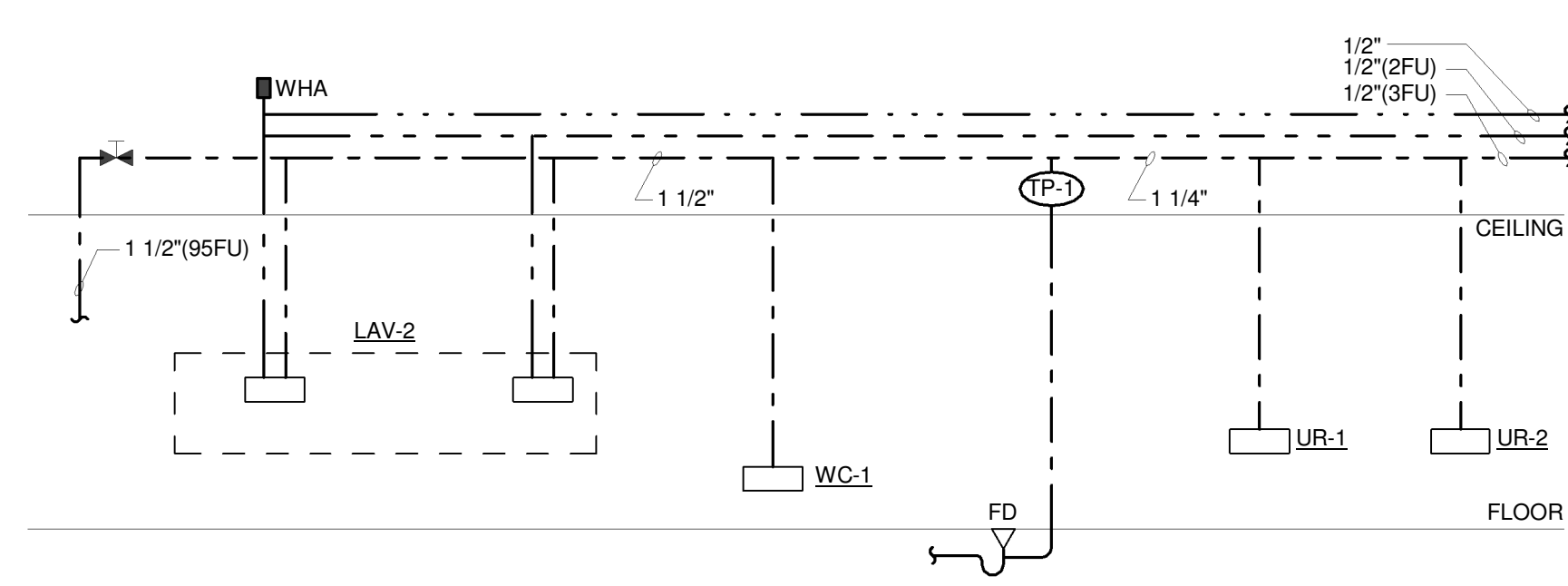


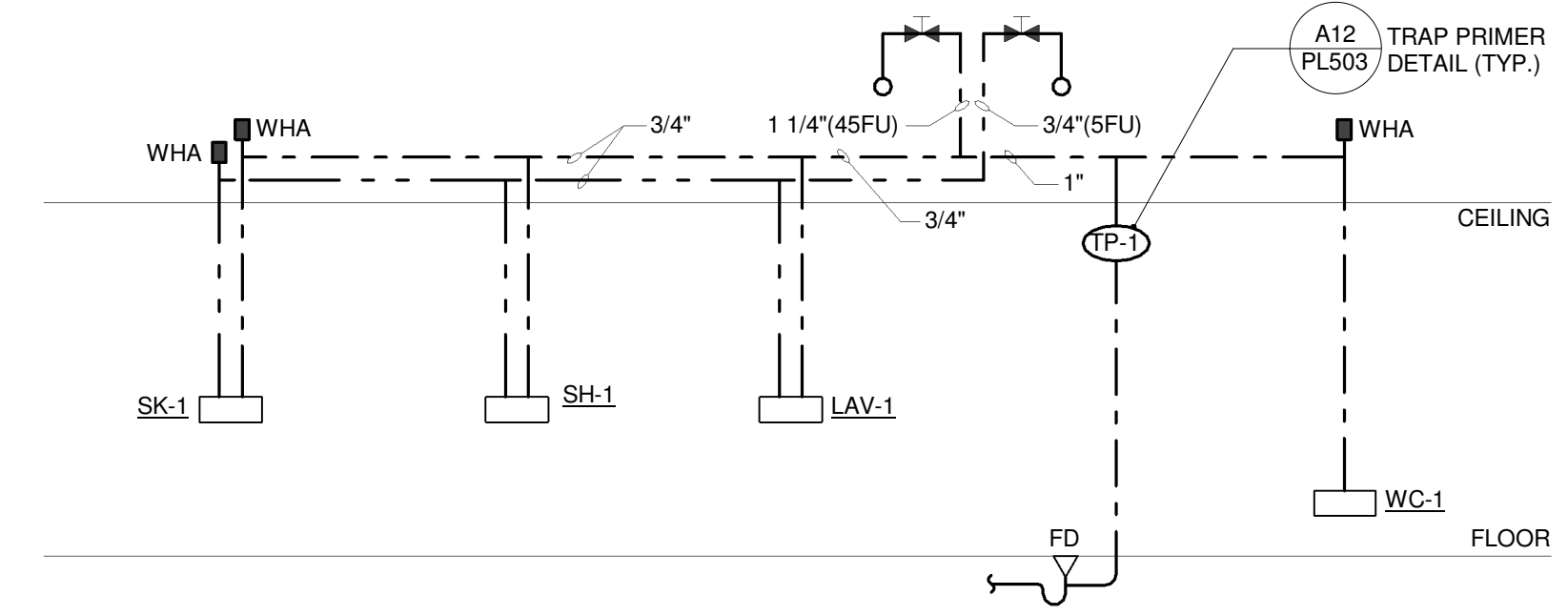
L1 RESTROOM 010 / GREEN ROOM 008 WATER RISER DIAGRAM

NTS



L6 MEN'S RESTROOM 204 WATER RISER DIAGRAM

NTS

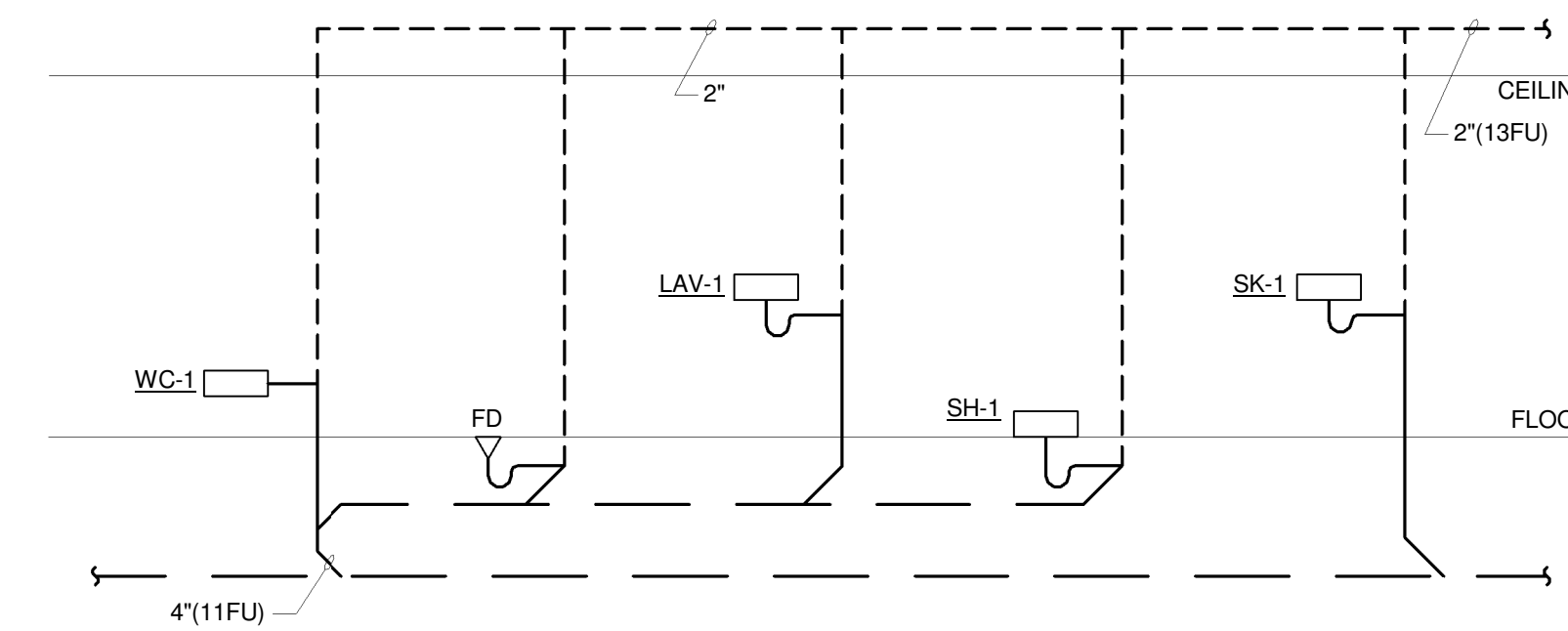


L11 GREEN ROOM 012 / RESTROOM 013 WATER RISER DIAGRAM

NTS

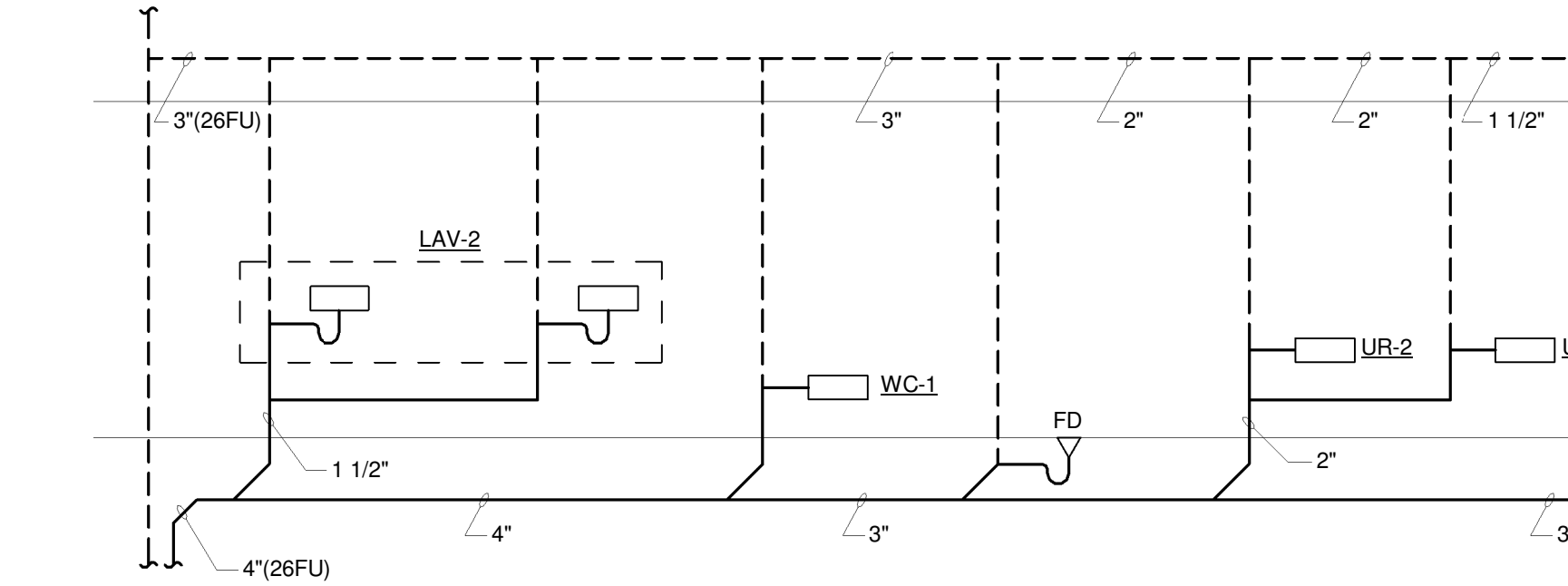
GENERAL NOTES:

1. ALL SANITARY WASTE AND VENT PIPING SIZED AT 1/4" PER FOOT MIN. PITCH.



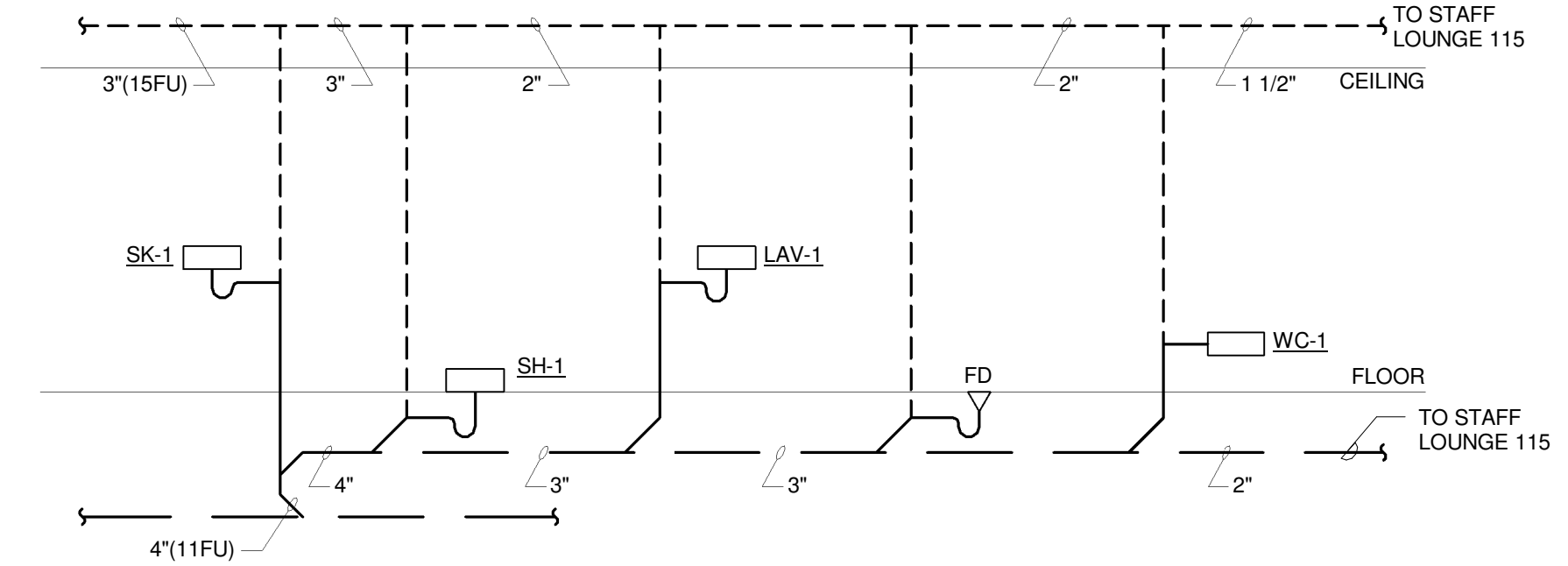
H1 RESTROOM 010 / GREEN ROOM 008 DWV RISER DIAGRAM

NTS



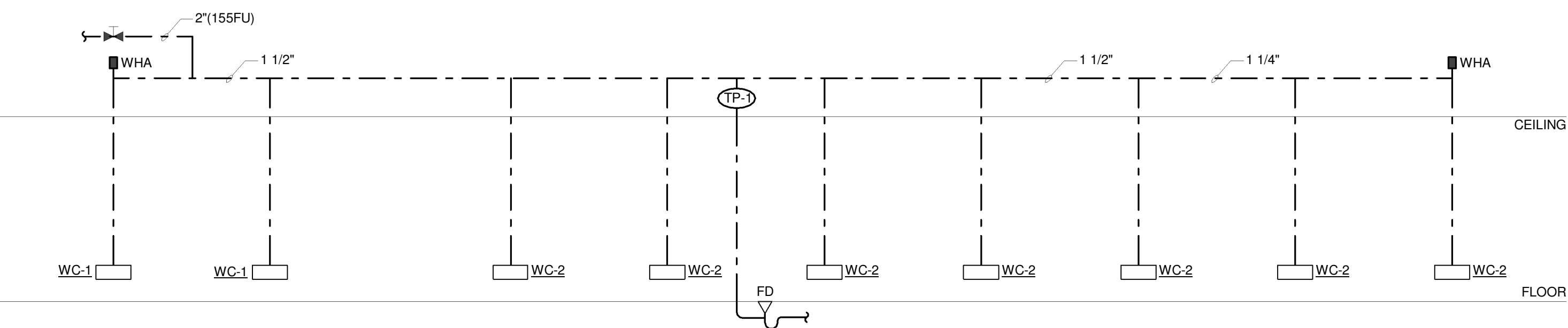
H6 MEN'S RESTROOM 204 DWV RISER DIAGRAM

NTS



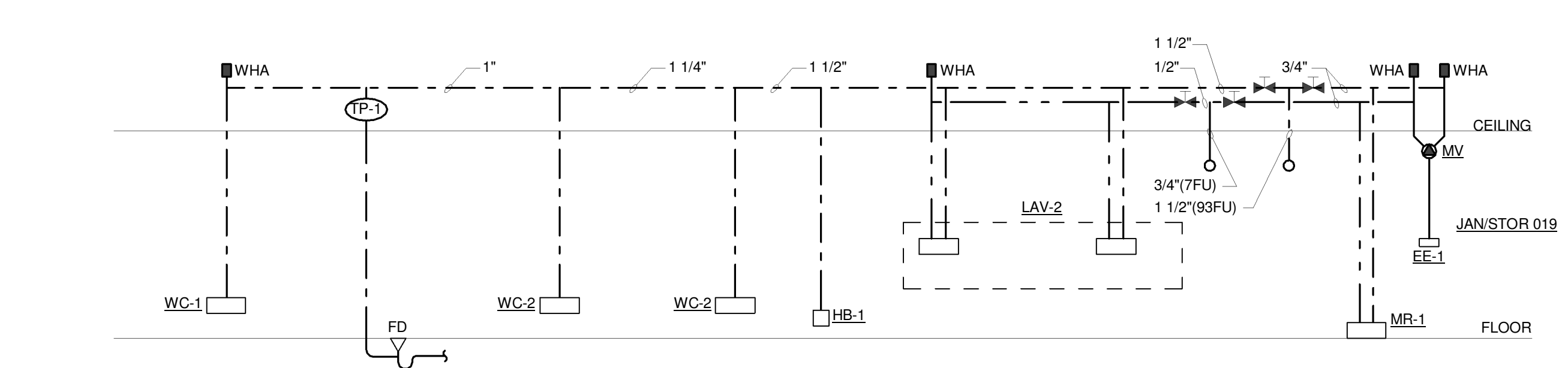
H11 GREEN ROOM 012 / RESTROOM 013 DWV RISER DIAGRAM

NTS



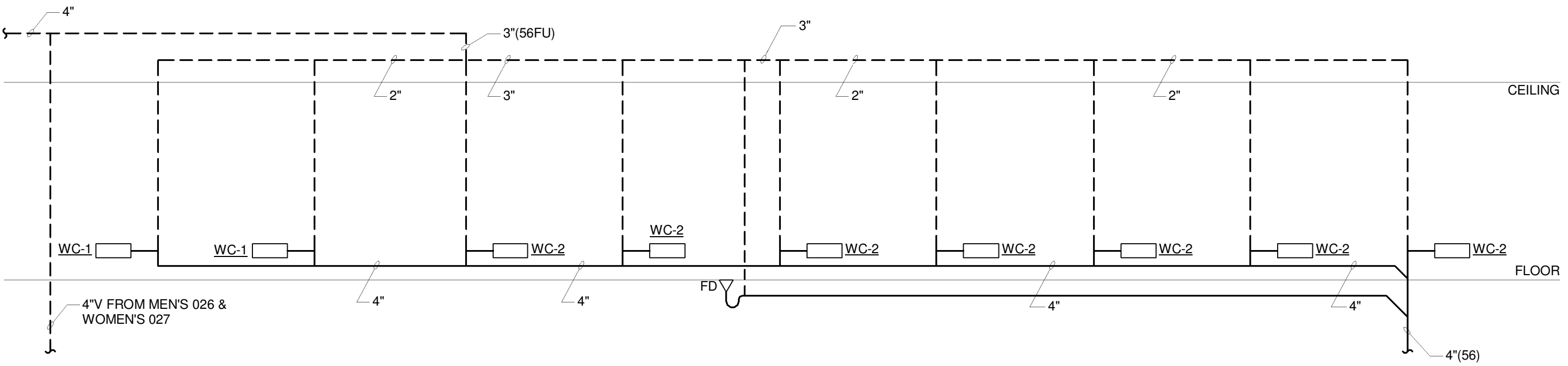
F1 WOMEN'S RESTROOM 113 WATER RISER DIAGRAM

NTS



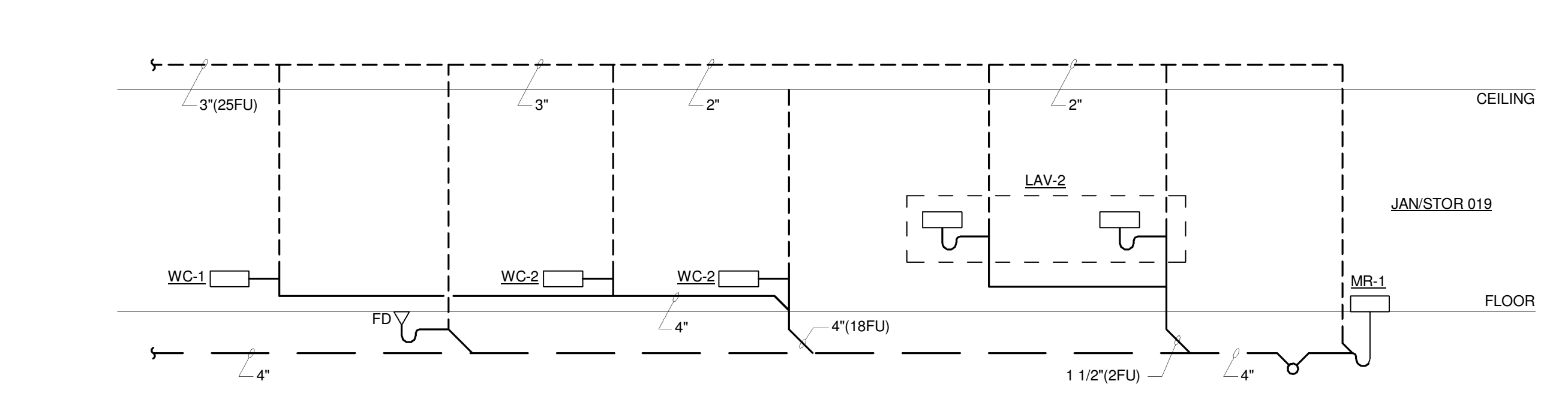
F9 MEN'S RESTROOM 018 & JAN/STOR 019 WATER RISER DIAGRAM

NTS



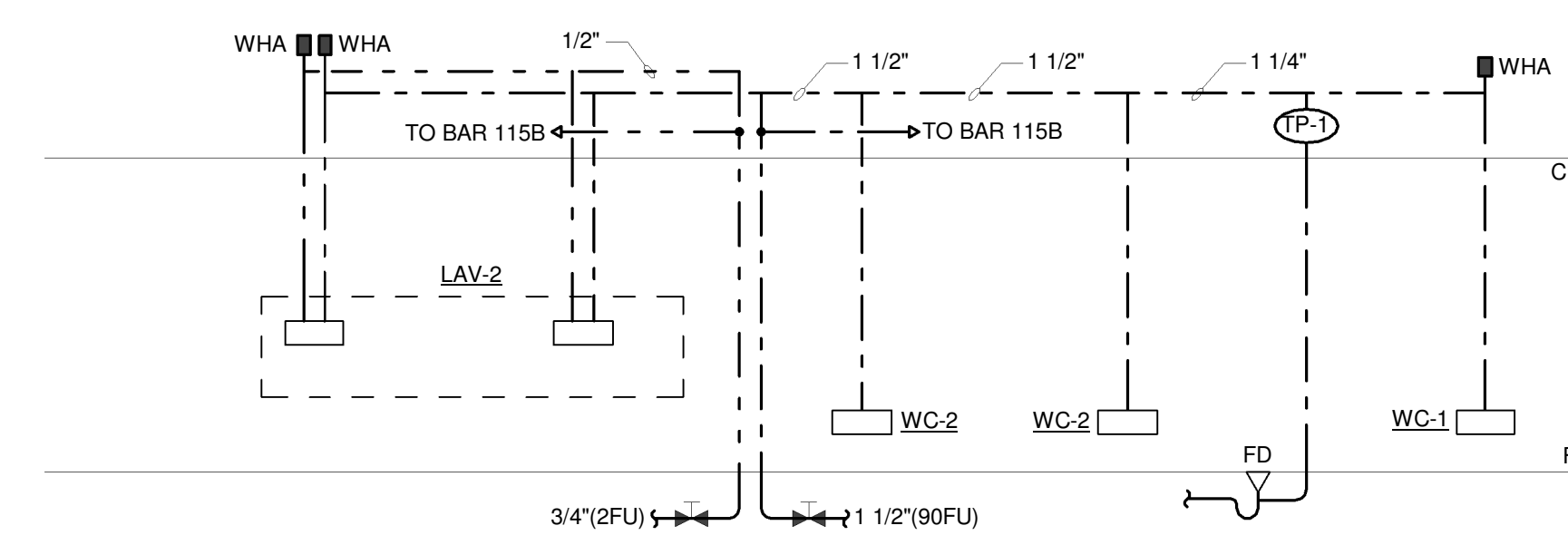
C1 WOMEN'S RESTROOM 113 DWV RISER DIAGRAM

NTS



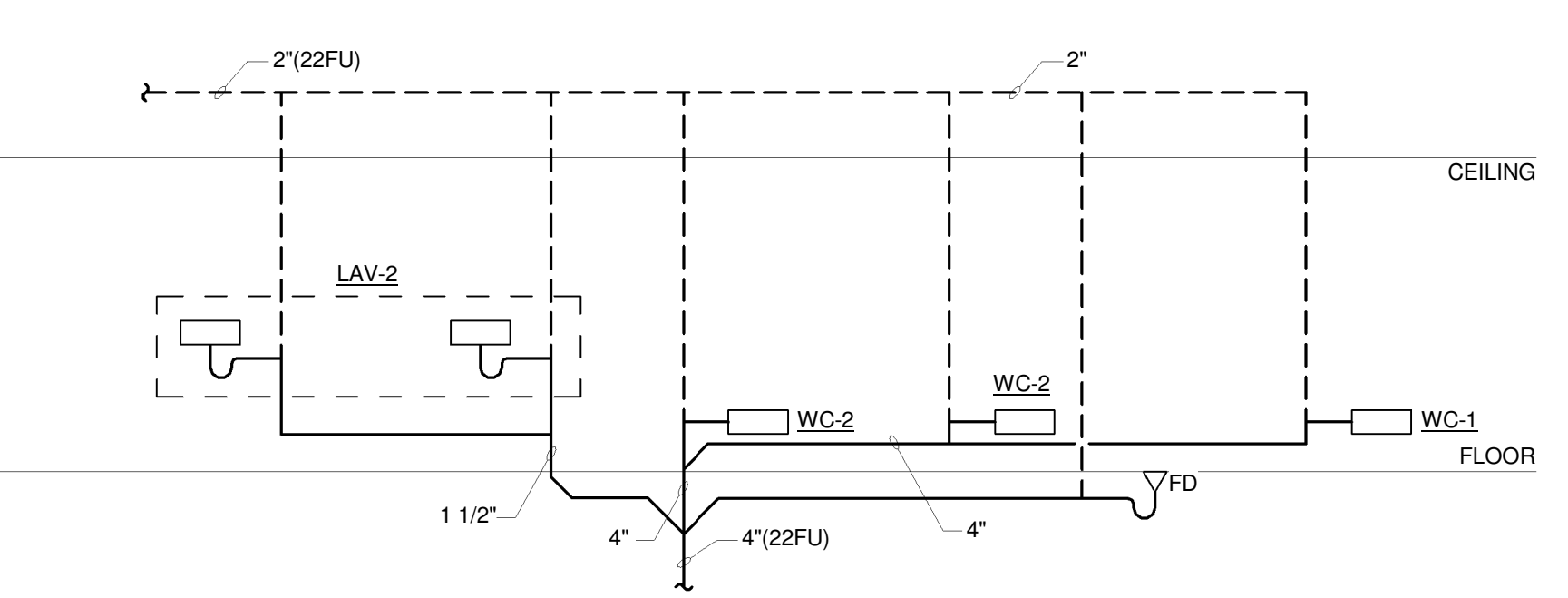
C9 MEN'S RESTROOM 018 & JAN/STOR 019 DWV RISER DIAGRAM

NTS



A6 MEN'S RESTROOM 114 WATER RISER DIAGRAM

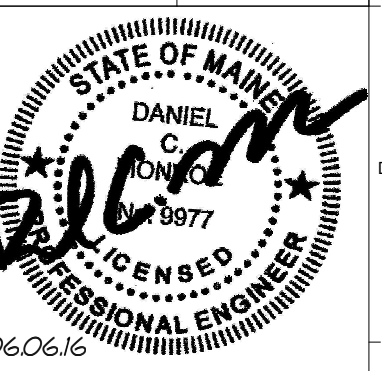
NTS



A11 MEN'S RESTROOM 114 DWV RISER DIAGRAM

NTS

REV.	DESCRIPTION	DATE
0	ISSUED FOR BID	06 JUNE 2016



WBRC
ARCHITECTS ENGINEERS
WWW.WBRCAE.COM
BANGOR, MAINE 207-947-4511
PORTLAND, MAINE 207-428-4511
SARASOTA, FLORIDA 941-556-0757

ASYLUM
PROJECT:
PLUMBING RISER DIAGRAMS

SHEET TITLE:

WBRC CAD FILE: 407110 - ASYLUM DANCE CLUB - MECH - RVT

PROJECT No. 4071.10 GRAPHIC SCALE: 0" = 1"

SCALE: AS INDICATED

PROJECT MANAGER: JRB SHEET No. **PL501**

DRAWN BY: CGB

CHECKED BY: DMON

6/3/2016 4:20:41 PM C:\Users\courney.bunker\Documents\407110 - ASYLUM DANCE CLUB - MECH - RVT