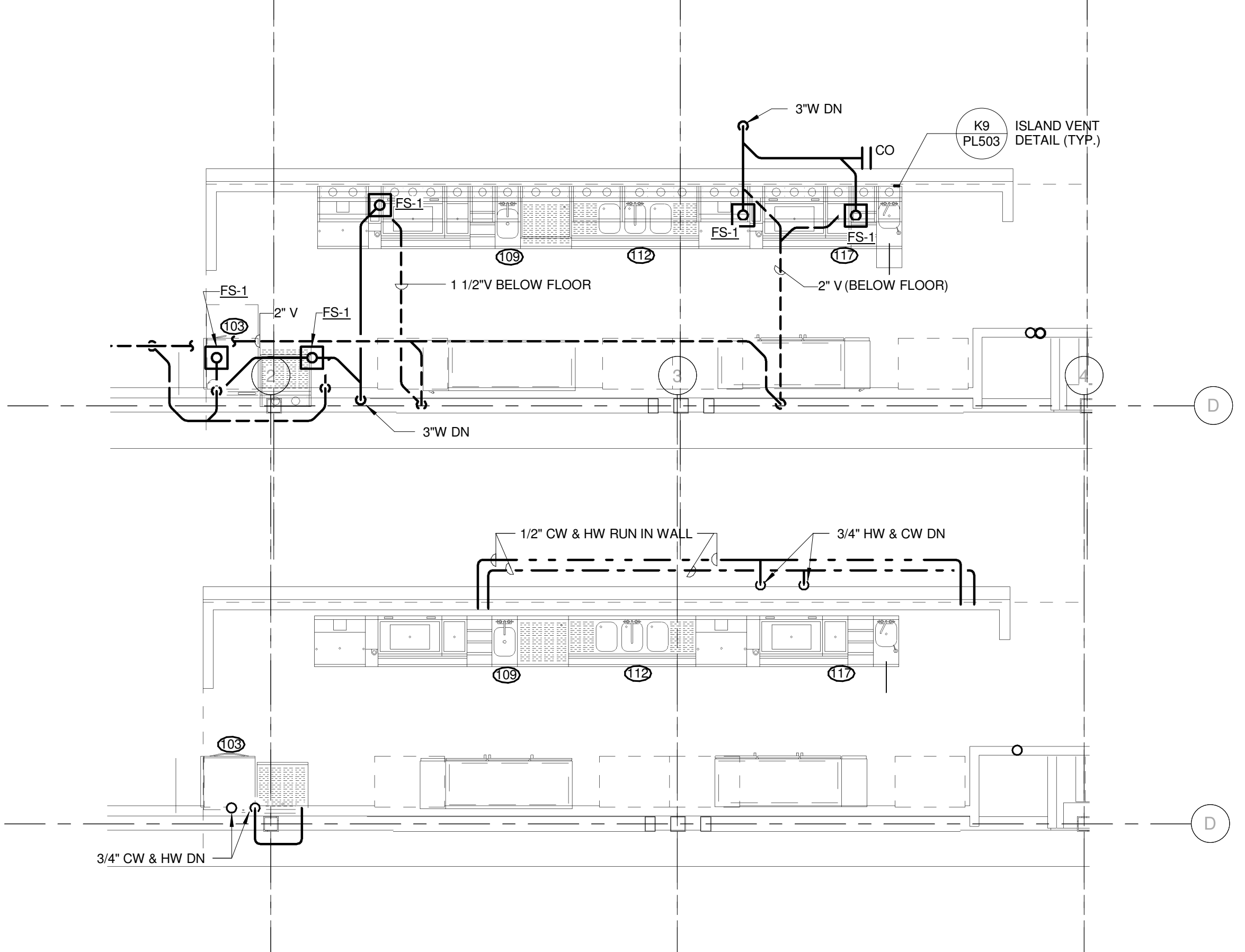


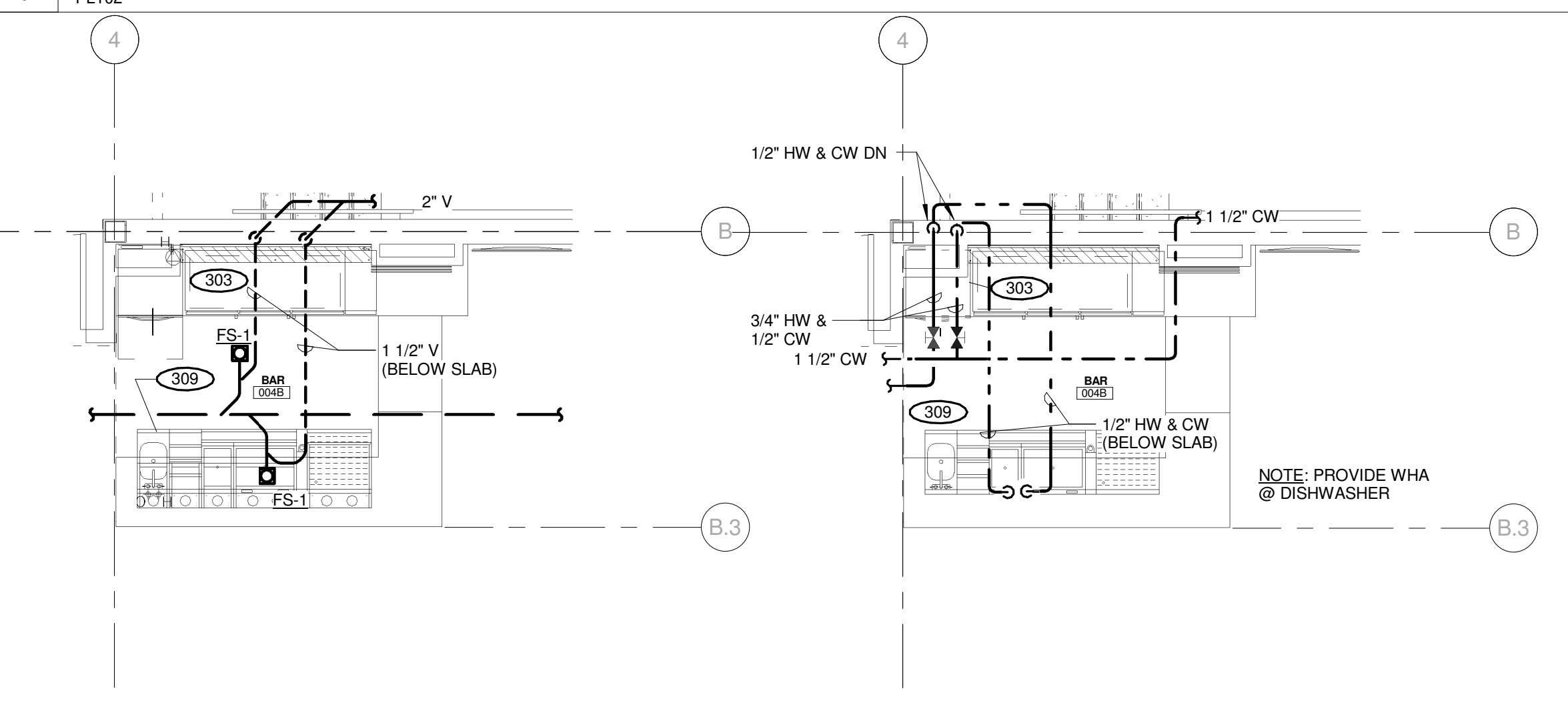
H1 KITCHEN 102 ENLARGED PLUMBING PLAN ①

1/4" = 1'-0" PL102



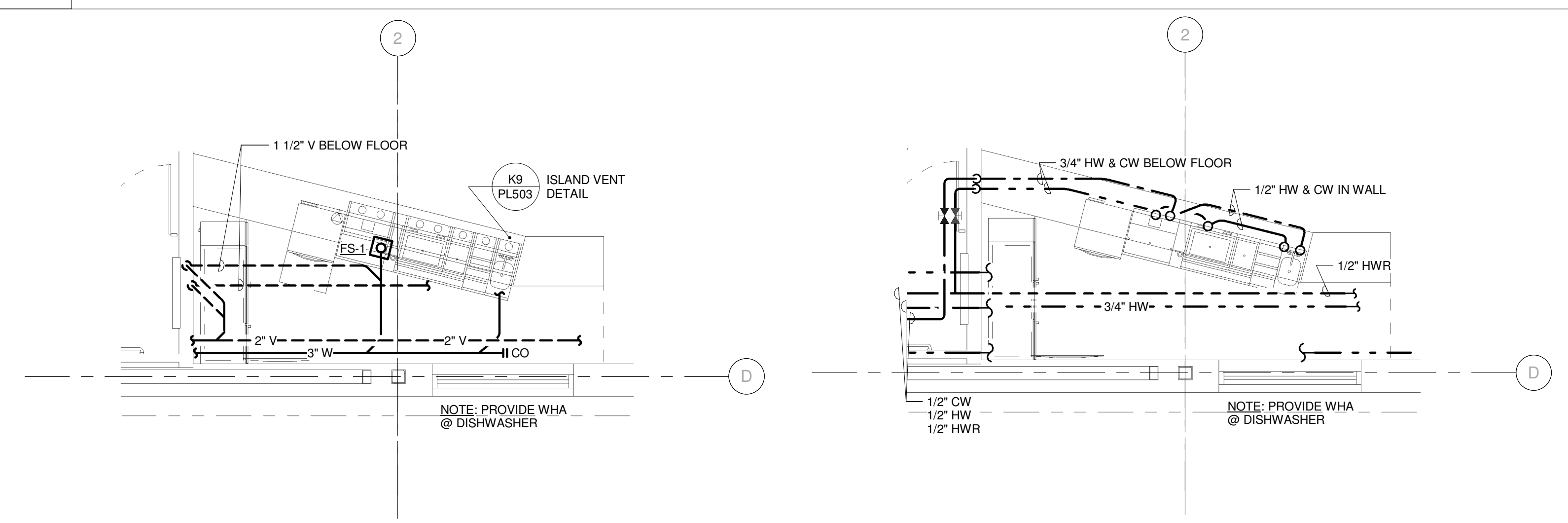
H8 BAR 117C BAR ENLARGED PLANS ①

NTS



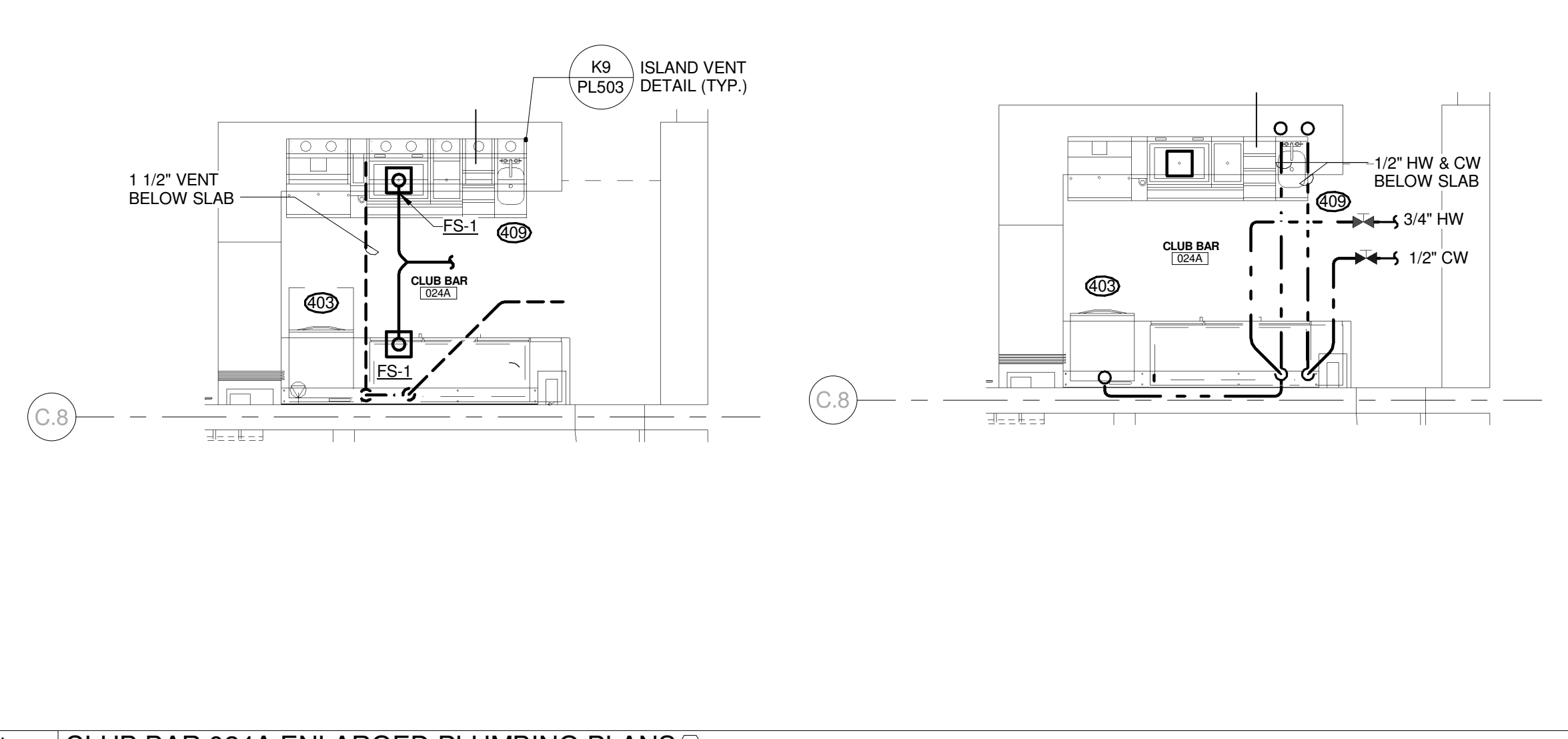
D1 BAR 004B ENLARGED PLUMBING PLANS ①

1/4" = 1'-0" PL101



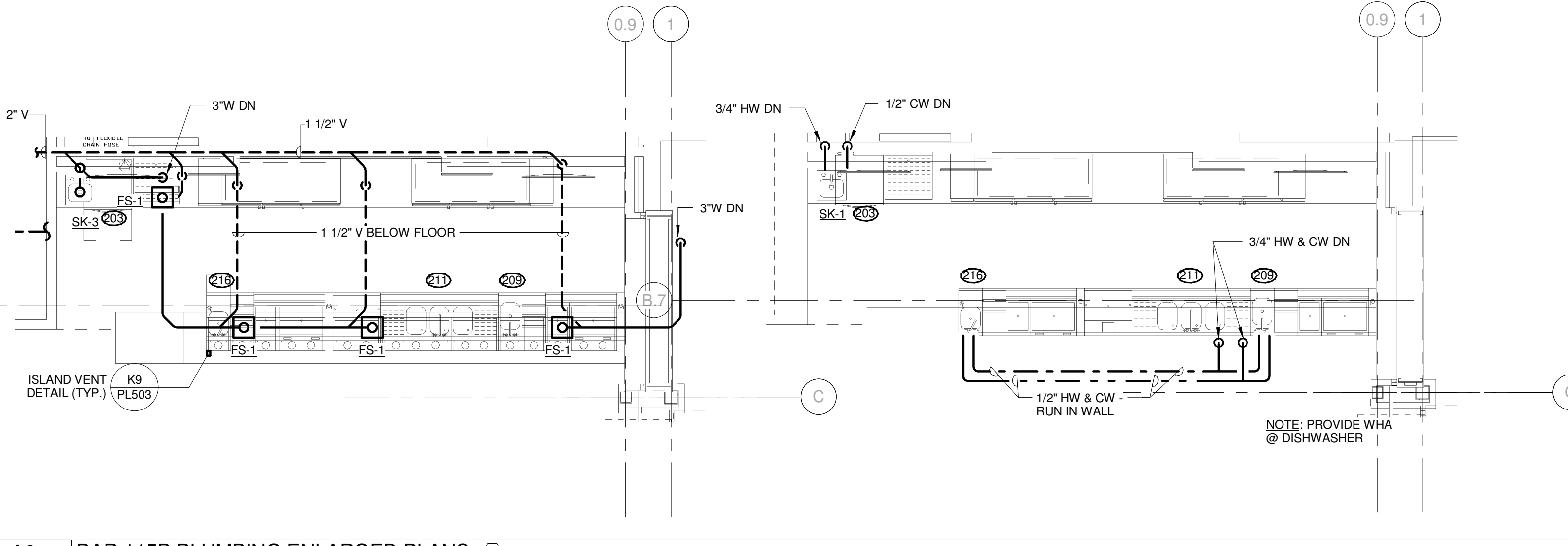
D8 BAR 203 PLUMBING ENLARGED PLANS ①

NTS



A1 CLUB BAR 024A ENLARGED PLUMBING PLANS ①

1/4" = 1'-0" PL101

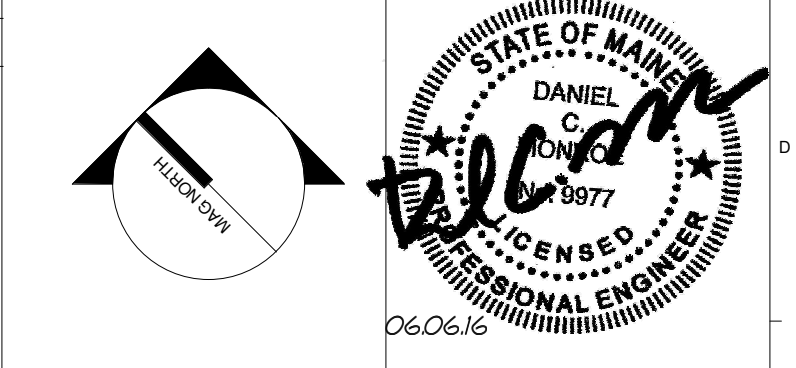


A8 BAR 115B PLUMBING ENLARGED PLANS ①

NTS

- TECHNICAL NOTES:**
- REFER TO FOOD SERVICE DRAWINGS FOR ALL PLUMBING CONNECTION PRIOR TO COMMENCEMENT OF WORK FIELD VERIFY ALL EXTG. PLUMBING SERVICES & COORD ALL CONNECTION WITH NEW WORK
 - ELECTRICAL SPACE - NO PIPING PERMITTED IN THIS AREA
 - REMOVE EXTG FLOOR DRAIN COVER & PROVIDE HALF-GRATE COVER
 - 1 1/4" INDIRECT WASTE (COPPER PIPE) TO TERMINATE W/ AIR GAP @ FLOOR SINK
 - 3-BAY SINK - 2" DRAIN & 1 1/2" VENT- CONNECT TO EXTG. 1/2" H&C WATER CONNECT TO EXTG
 - EXTG FLOOR DRAIN BODY TO REMAIN. PROVIDE NEW FLOOR DRAIN GRATE. GRATES UNDER EQUIPMENT SHALL BE HALF-GRATE.

REV.	DESCRIPTION	DATE
0	ISSUED FOR BID	06 JUNE 2016



WBRC
ARCHITECTS ENGINEERS
WWW.WBRC.AE.COM
BANGOR, MAINE 207-947-4511
PORTLAND, MAINE 207-828-4511
SARASOTA, FLORIDA 941-556-0757

ASYLUM
PROJECT:
ENLARGED PLUMBING PLANS

SHEET TITLE:
WBRC CAD FILE: 407110 - ASYLUM DANCE CLUB - MECH-LRV1
PROJECT No. 4071.10 GRAPHIC SCALE: 0" 1"
SCALE: 1/4" = 1'-0"
PROJECT MANAGER: JRB
DRAWN BY: CGB
CHECKED BY: DMON
SHEET No. **PL401**

6/3/2016 4:55:24 PM C:\Users\courney.bunker\Documents\407110 - ASYLUM DANCE CLUB - MECH_courney.bunker.rvt