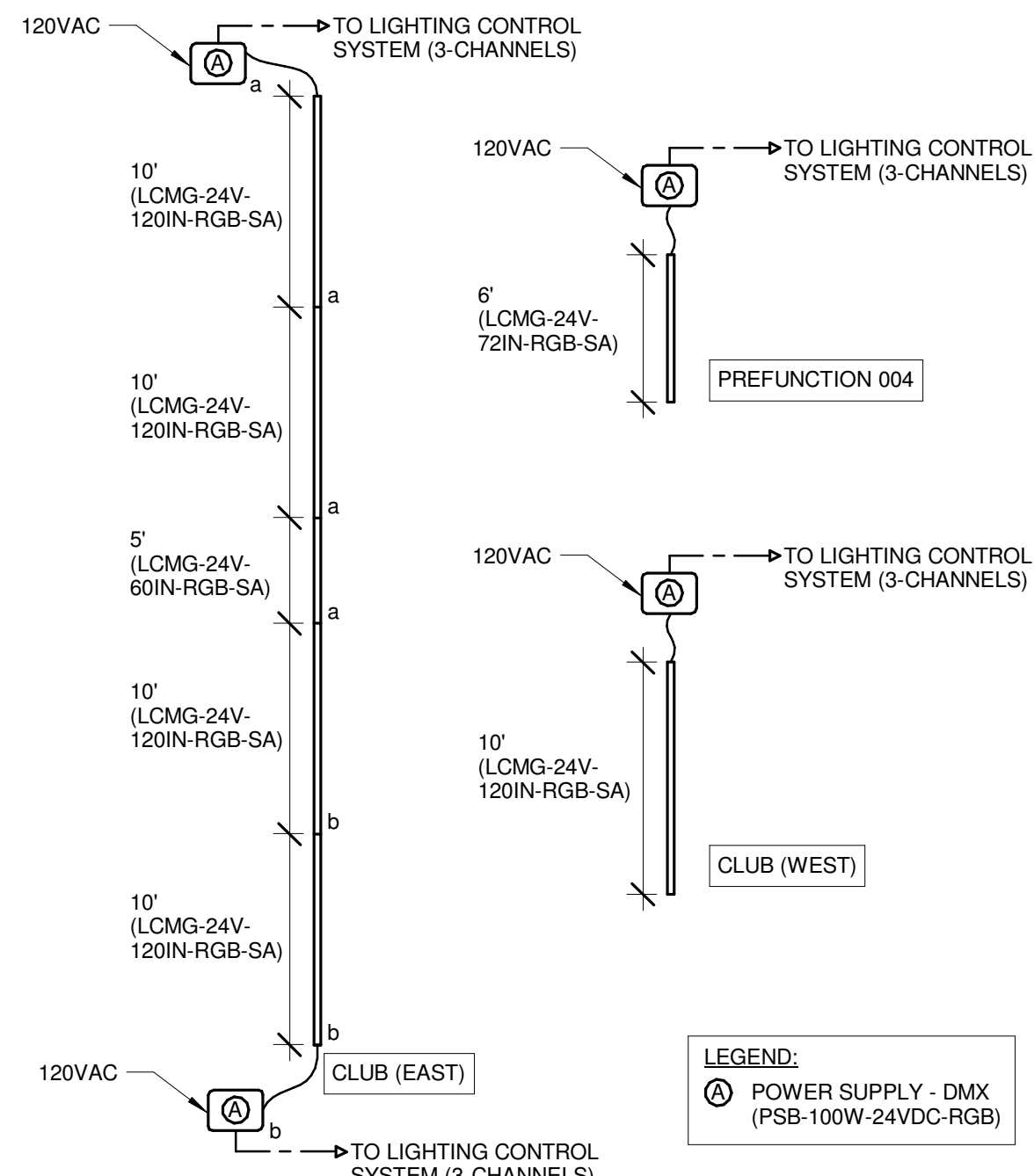
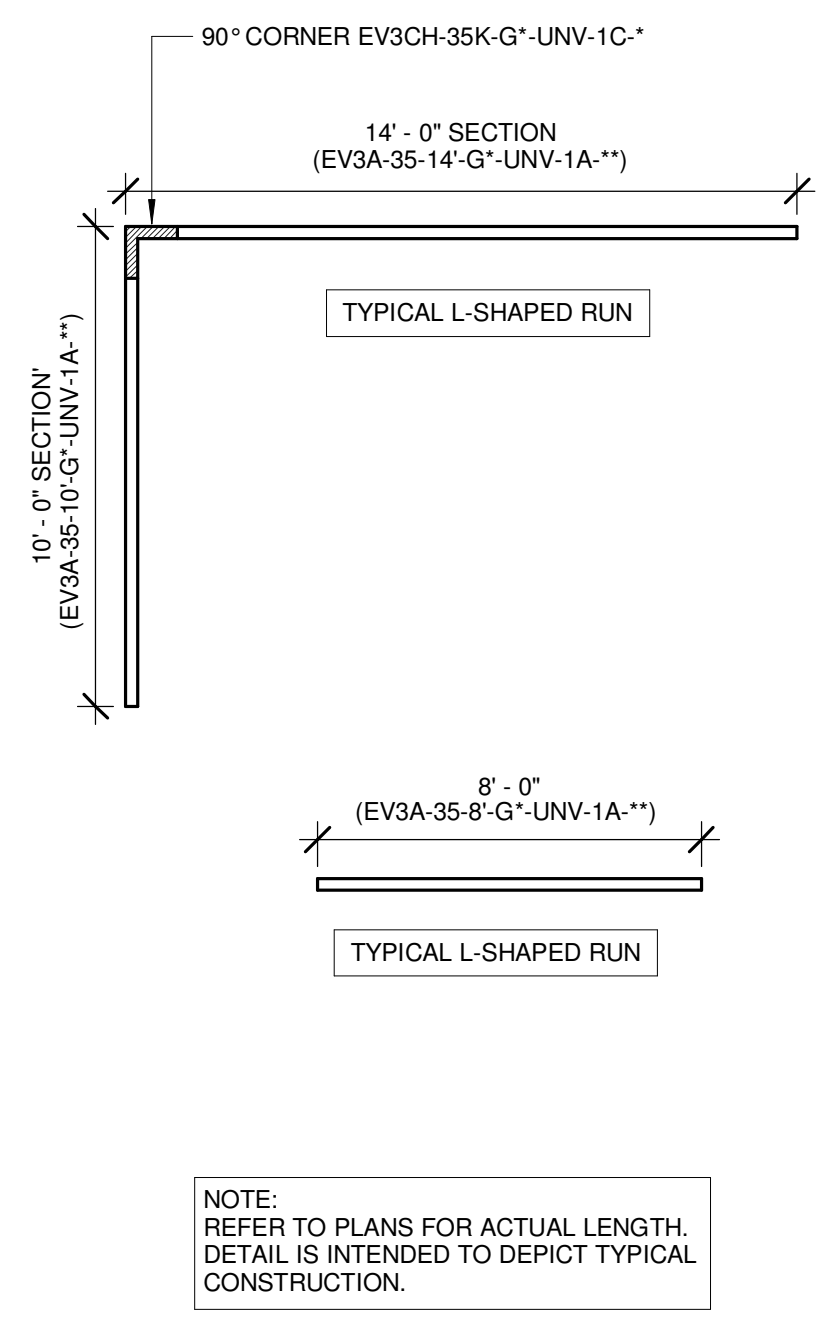


**LEGEND:**  
 PP-S CRESTRON, GLPP SWITCHING ONLY  
 PP-D CRESTRON, GLPP 0-10V DIMMING  
 UL924-D LVS, EPC-1D (IF Y, (1) ON D\*)  
 UL924-S LVS, EPC-1C (IF Y, (1) ON S\*)

NEW BASEMENT  
64' - 5"

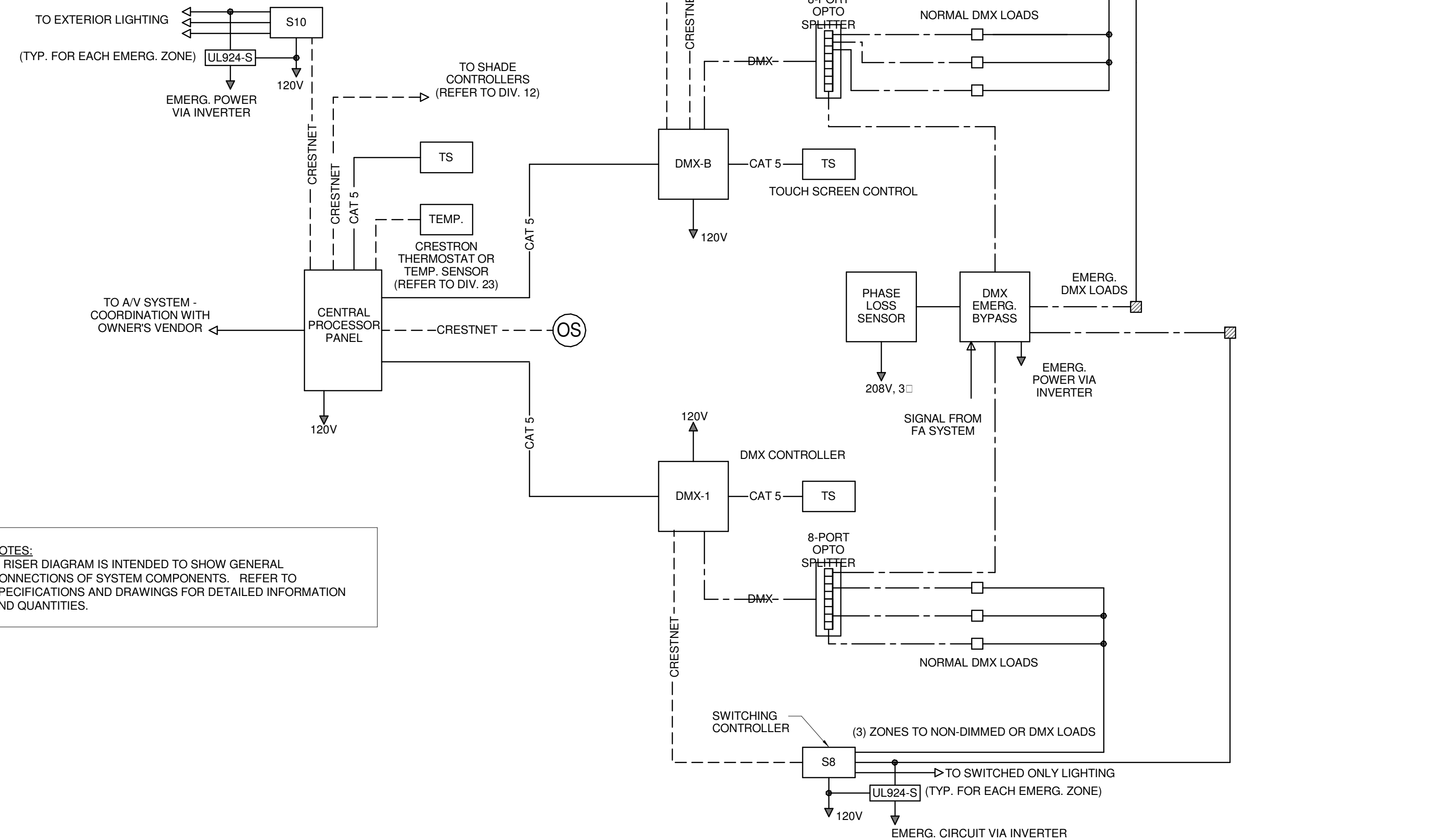
J1 MOUNTING HEIGHT DETAIL

J10 LIGHTING CONTROL ELEVATION - ELECT. 009



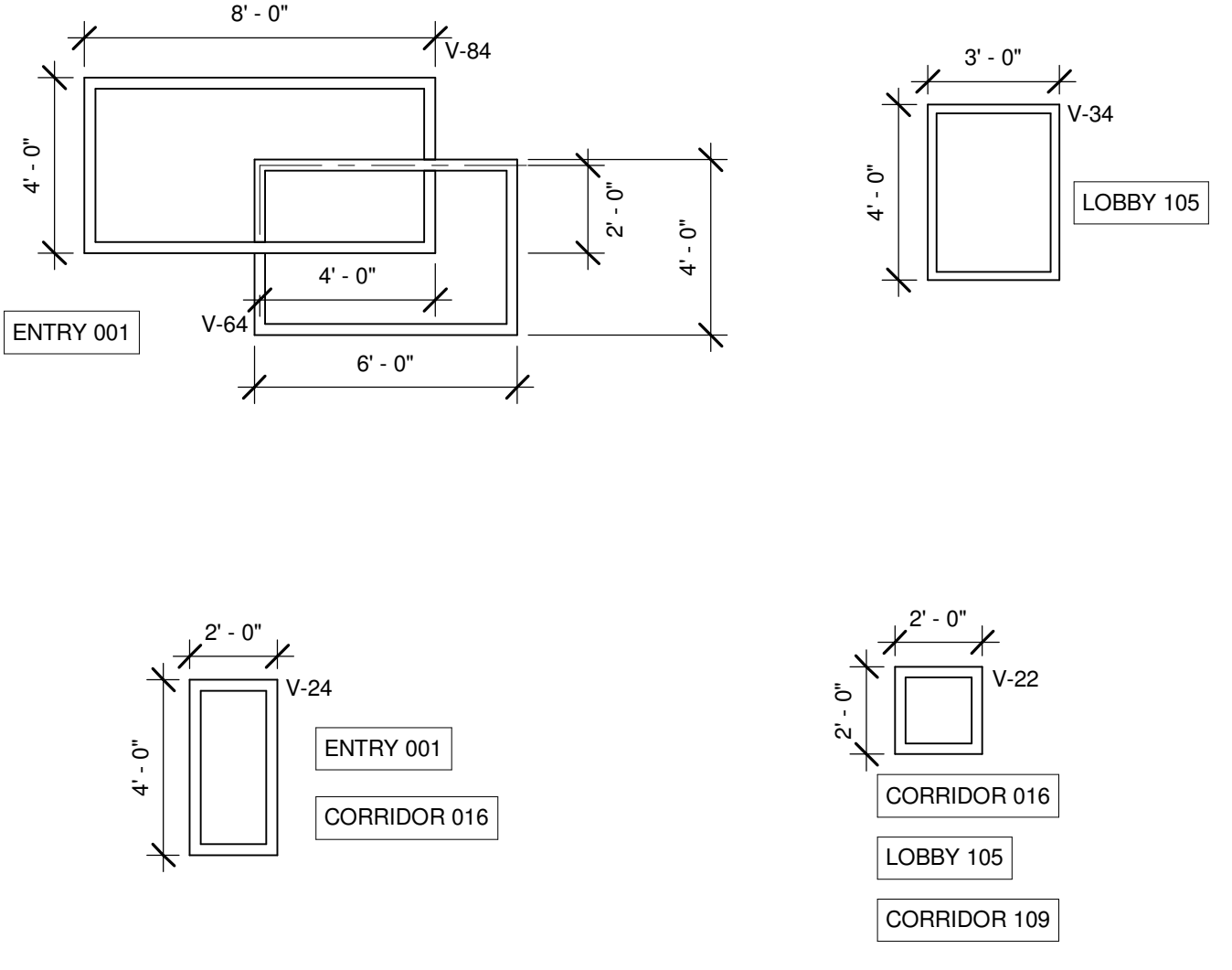
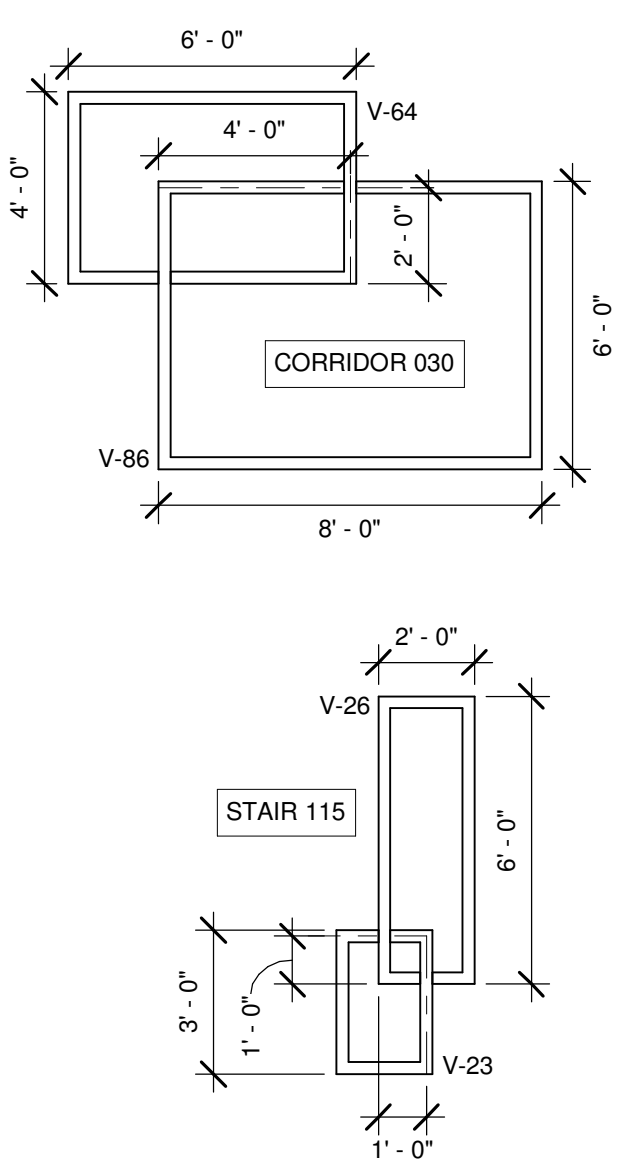
E1 TYPE B CONFIGURATION DETAIL

E4 TYPE U CONFIGURATION DETAIL



**NOTES:**  
 1. RISER DIAGRAM IS INTENDED TO SHOW GENERAL CONNECTIONS OF SYSTEM COMPONENTS. REFER TO SPECIFICATIONS AND DRAWINGS FOR DETAILED INFORMATION AND QUANTITIES.

A7 LIGHTING CONTROL RISER DIAGRAM



A1 TYPE V LIGHTING CONFIGURATIONS

0	ISSUED FOR BID	06 JUNE 2016
REV.	DESCRIPTION	DATE
<b>WBRC</b> ARCHITECTS ENGINEERS WWW.WBRCAE.COM BANGOR, MAINE 207-947-4511 PORTLAND, MAINE 207-828-4511 SARASOTA, FLORIDA 941-556-0757		
PROJECT: ASYLUM		
SHEET TITLE: ELECTRICAL DETAILS		
SHEET FILE: C:\Users\jlmahar\Documents\407110 - ASYLUM DANCE CLUB - ELEC. Lyle.mahar.rvt		
PROJECT No: 4071.10	GRAPHIC SCALE: 0" = 1"	
SCALE: As indicated		
PROJECT MANAGER: JRB	SHEET No:	
DRAWN BY: KRM		
CHECKED BY: SJL		
E-502		