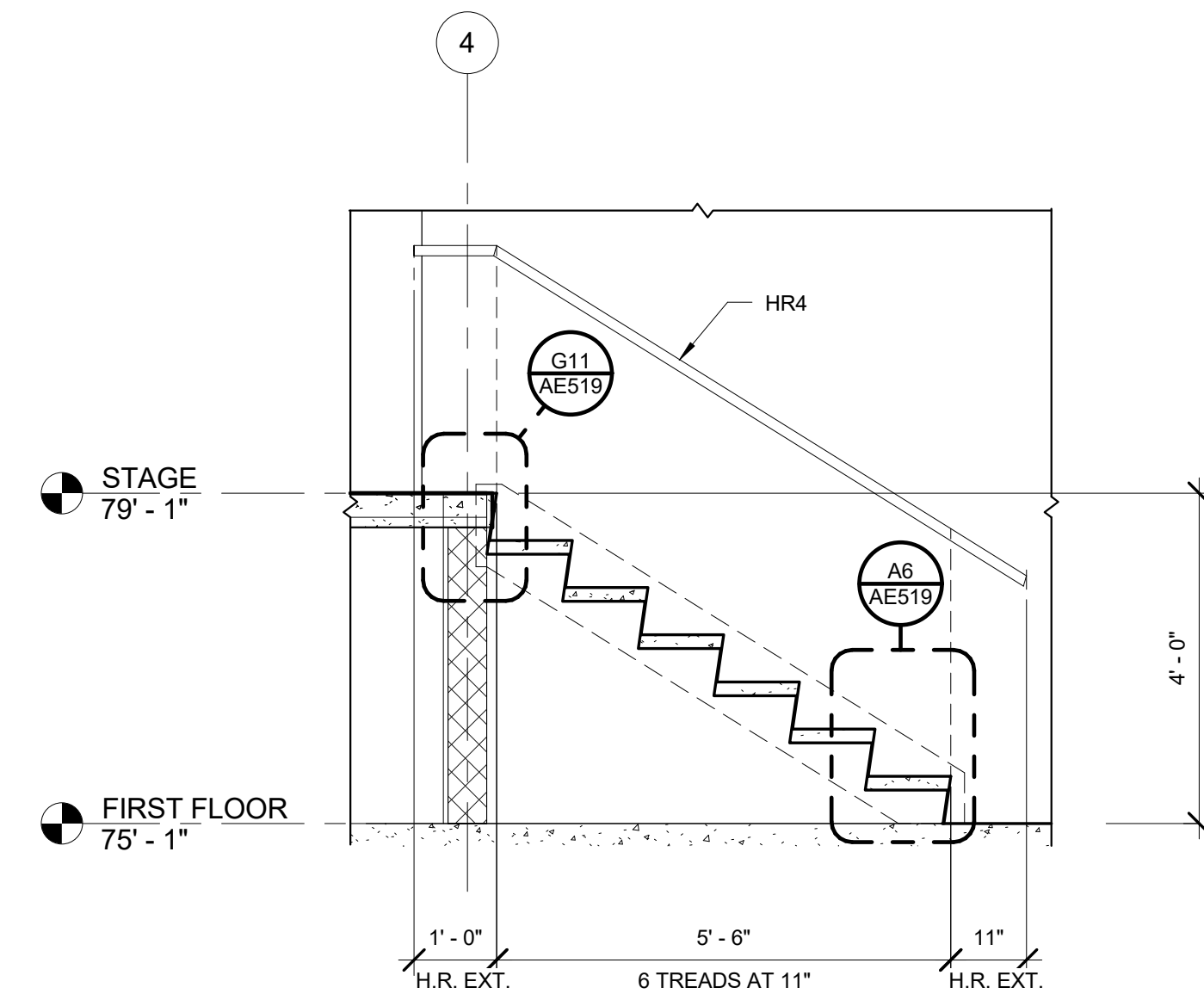
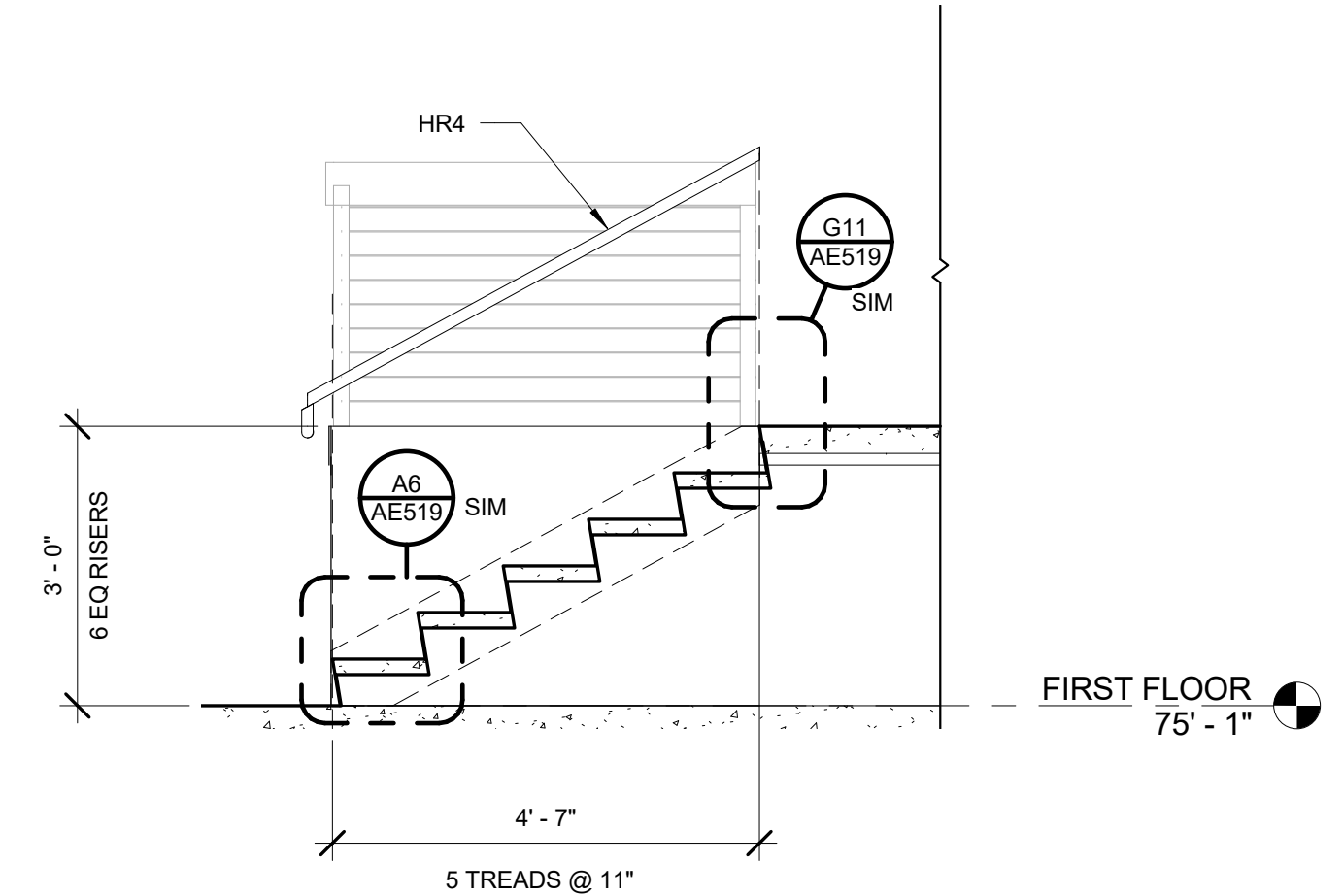


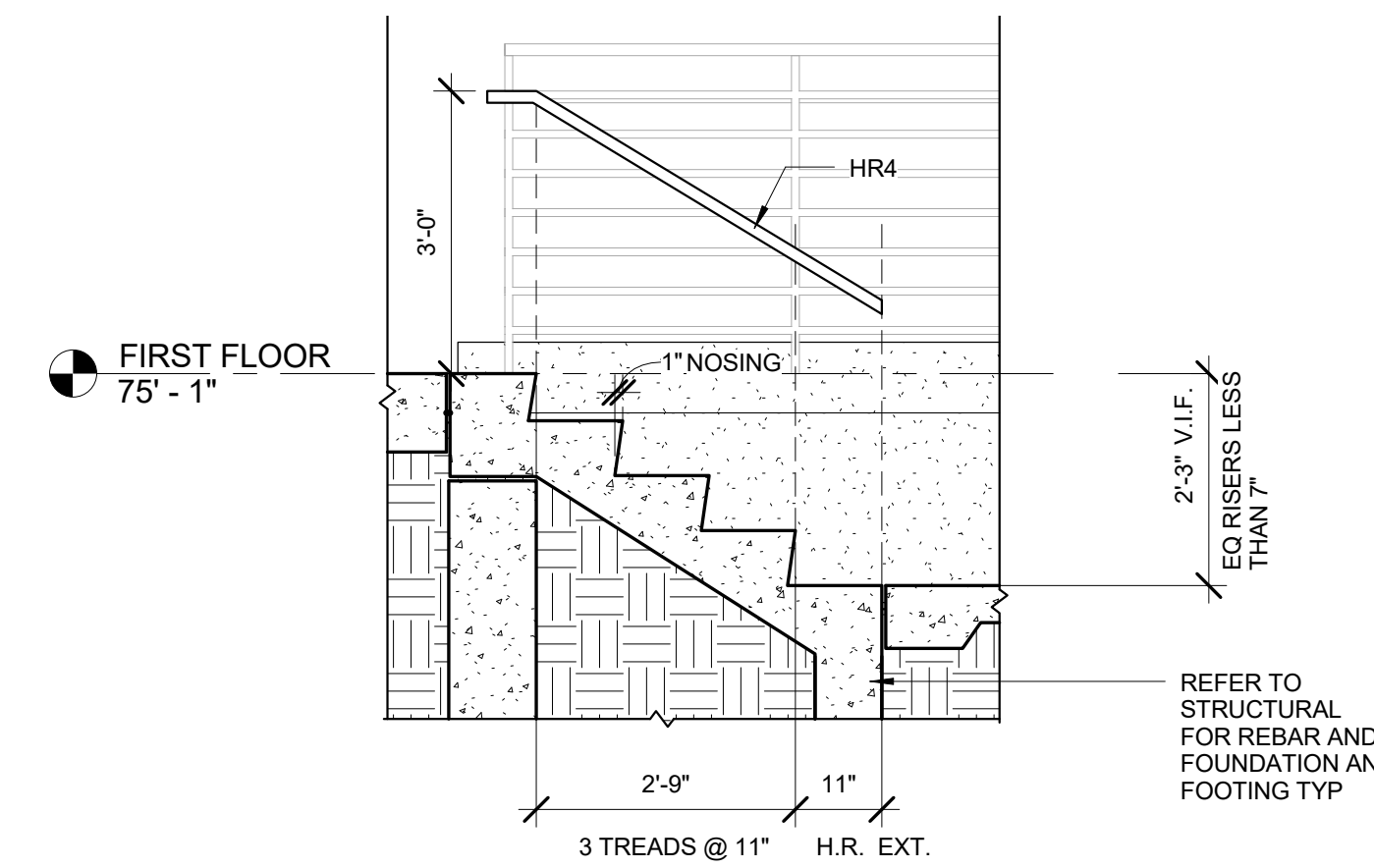
**J4 STAIR @ SEATING TIER 2**  
1/2" = 1'-0" AE102B



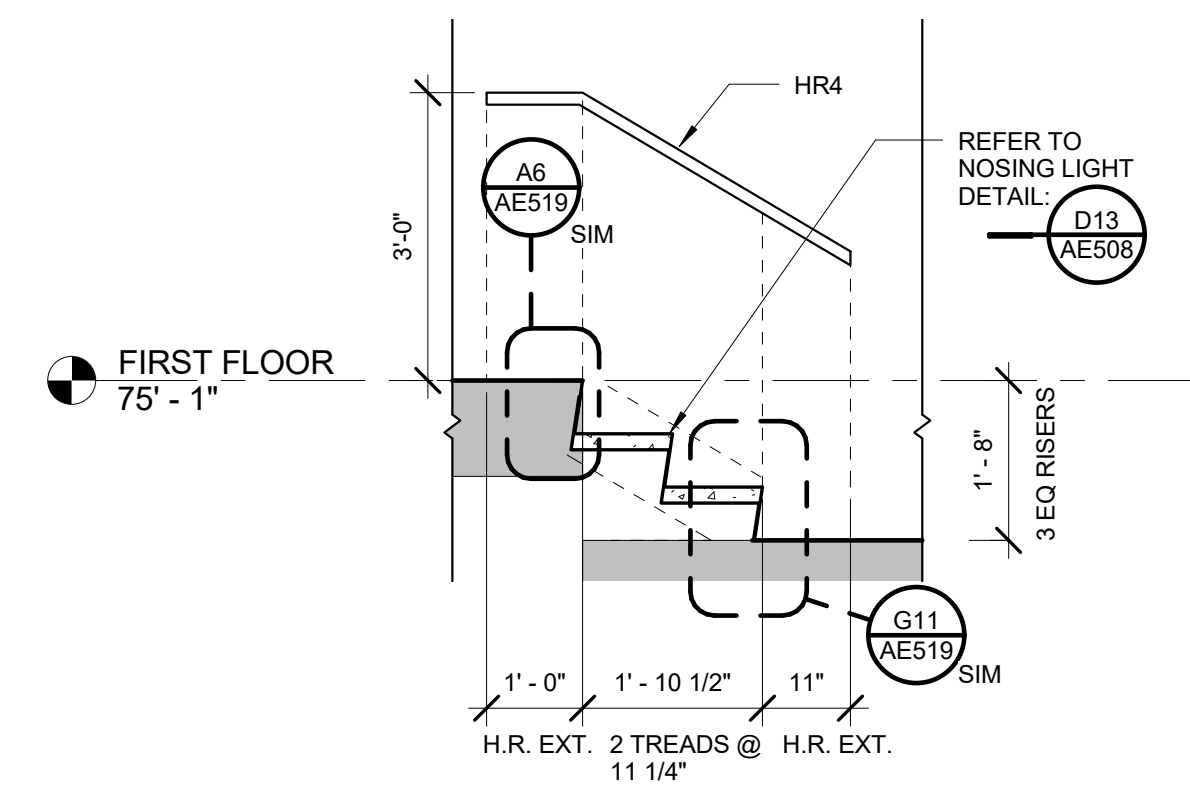
**J8 STAIR @ STAGE**  
1/2" = 1'-0" AE102B



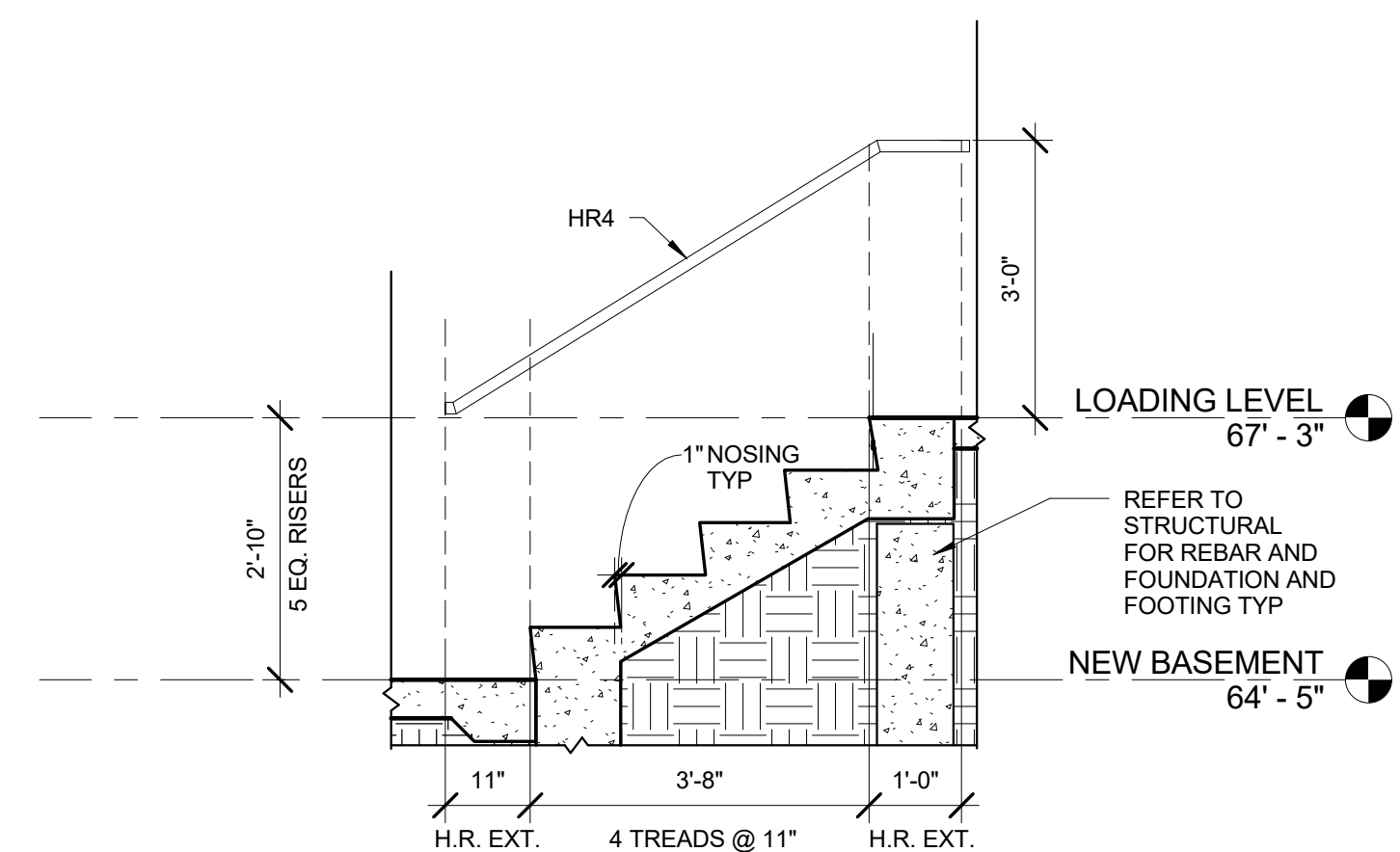
**J12 STAIR @ SEATING TIER**  
1/2" = 1'-0" AE102B



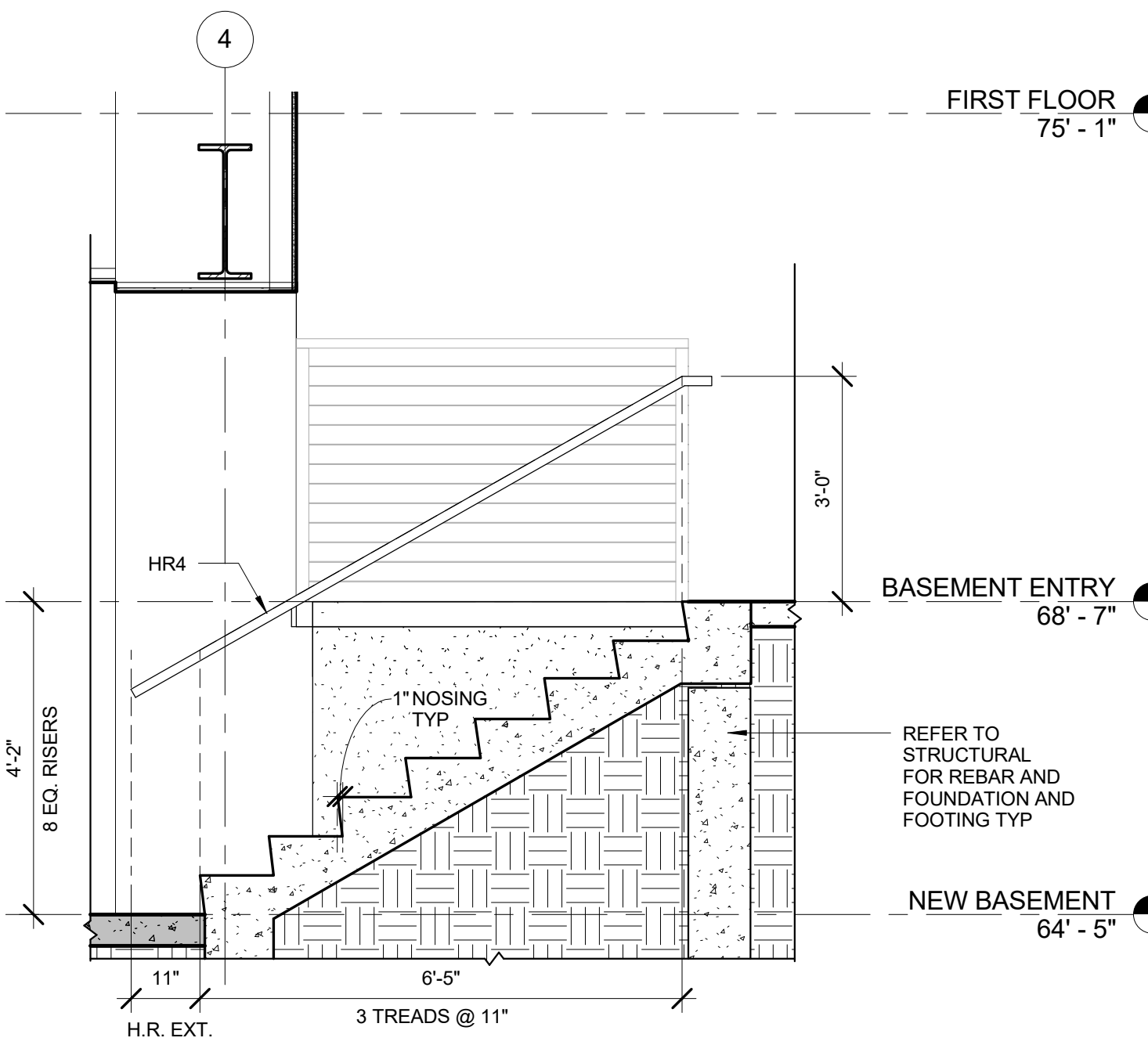
**E8 STAIR @ BACK ENTRY**  
1/2" = 1'-0" AE102A



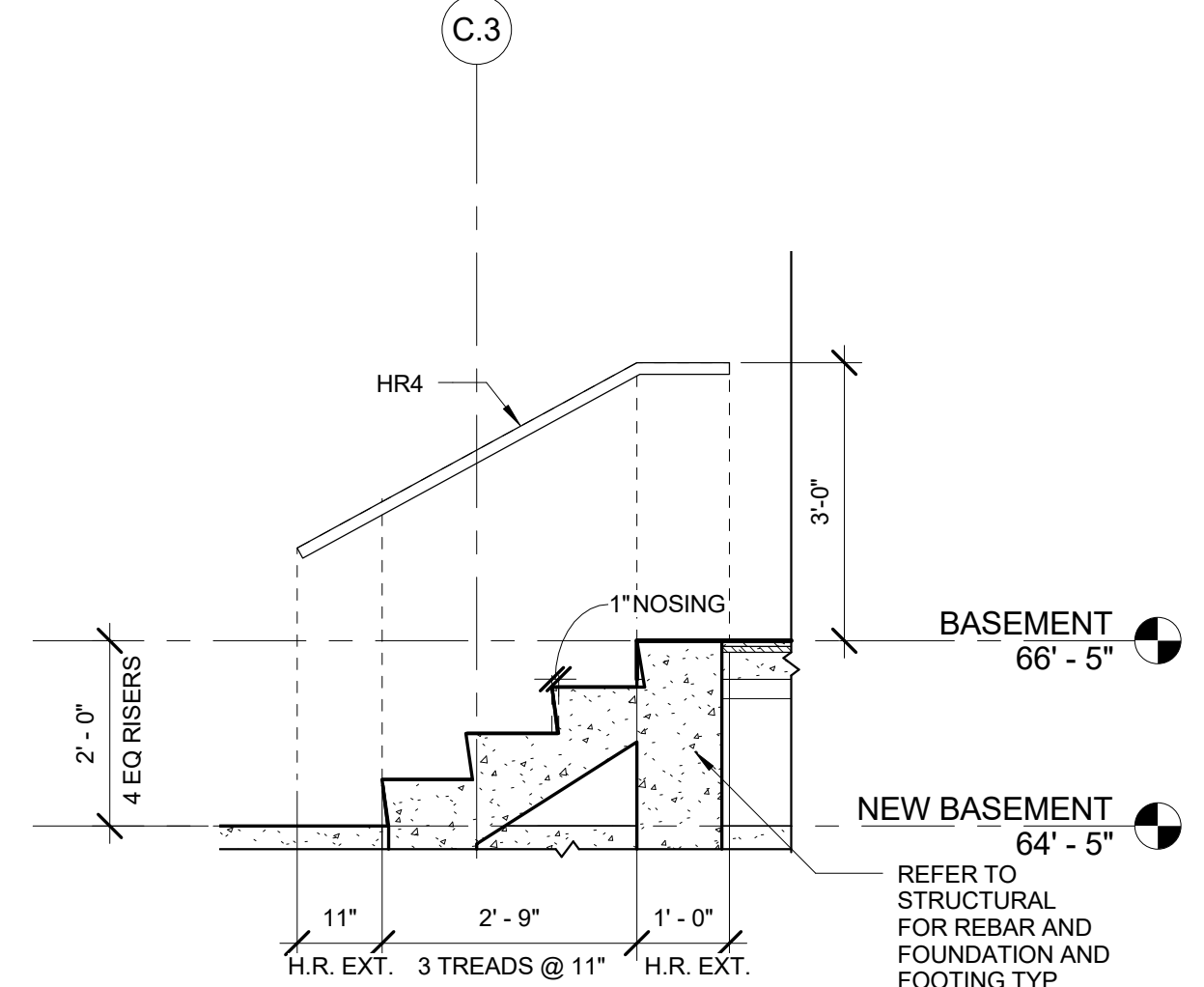
**E12 STAIR @ LOBBY 105**  
1/2" = 1'-0"



**A4 STAIRS @ LOADING ENTRY 005**  
1/2" = 1'-0" AE101B



**8A STAIR @ ENTRY 001**  
1/2" = 1'-0" AE101B



**A12 STAIR @ OFFICE 021**  
1/2" = 1'-0" AE101B

0	ISSUED FOR CONSTRUCTION	06 JUNE 2016
REV.	DESCRIPTION	DATE




**PROJECT NORTH**

**WBRC ARCHITECTS ENGINEERS**  
WWW.WBRCAE.COM  
BANGOR, MAINE 207-947-4511  
PORTLAND, MAINE 207-438-4511  
SARASOTA, FLORIDA 941-556-0757

**ASYLUM**

PROJECT: **MISC STAIR SECTIONS & PLANS**

SHEET TITLE: **AE517**

WBRC CAD FILE: C:\Users\jocelyn.booth\Documents\407110 - ASYLUM DANCE CLUB - ARCH - jocelyn.booth.rvt

PROJECT No: 4071.10 GRAPHIC SCALE: 0" = 1'

SCALE: 1/2" = 1'-0" SHEET No:

PROJECT MANAGER: JRB DRAWN BY: TWL CHECKED BY: JET/MEJ

6/7/2016 8:44:22 AM C:\Users\jocelyn.booth\Documents\407110 - ASYLUM DANCE CLUB - ARCH - jocelyn.booth.rvt