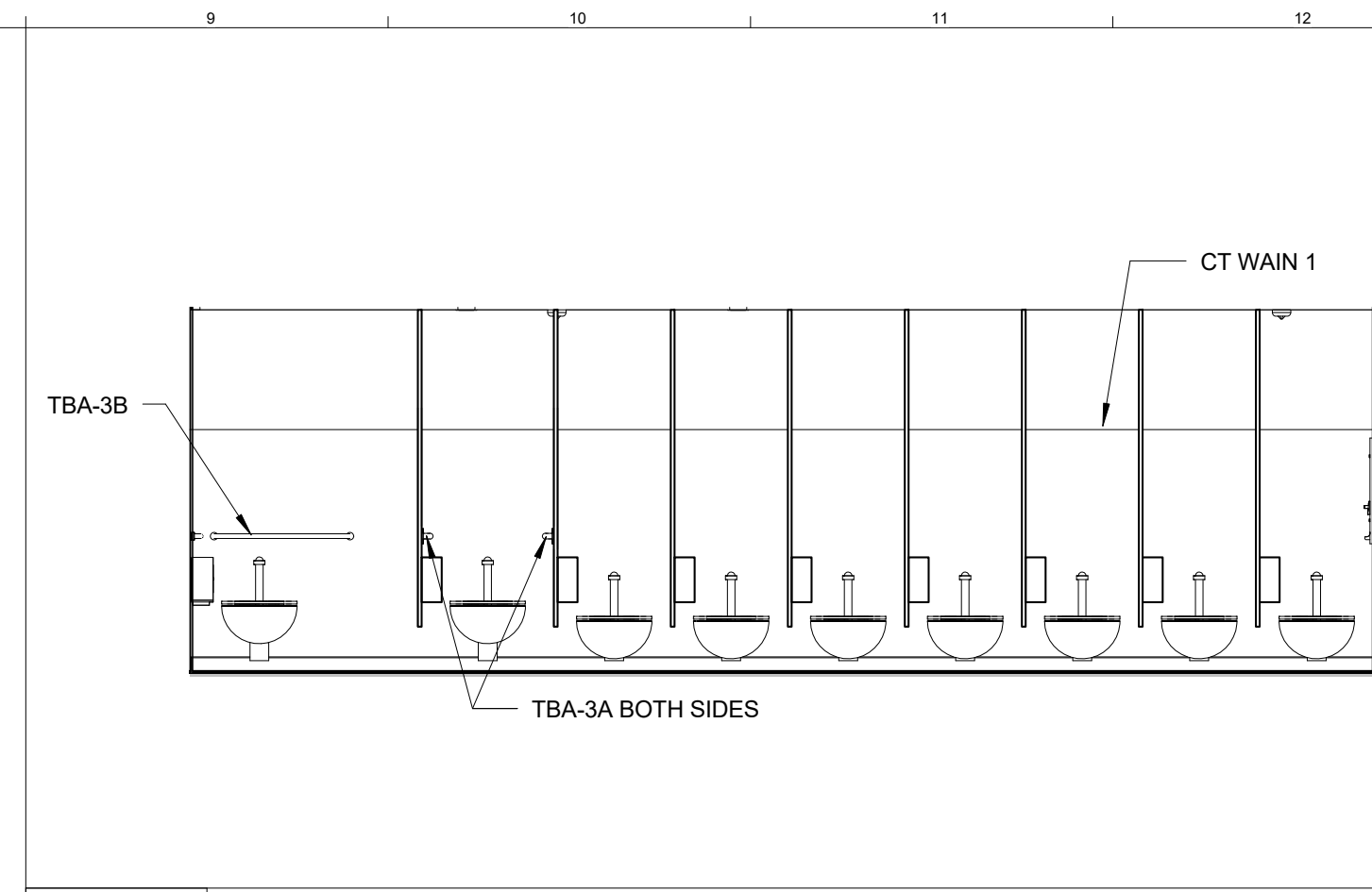
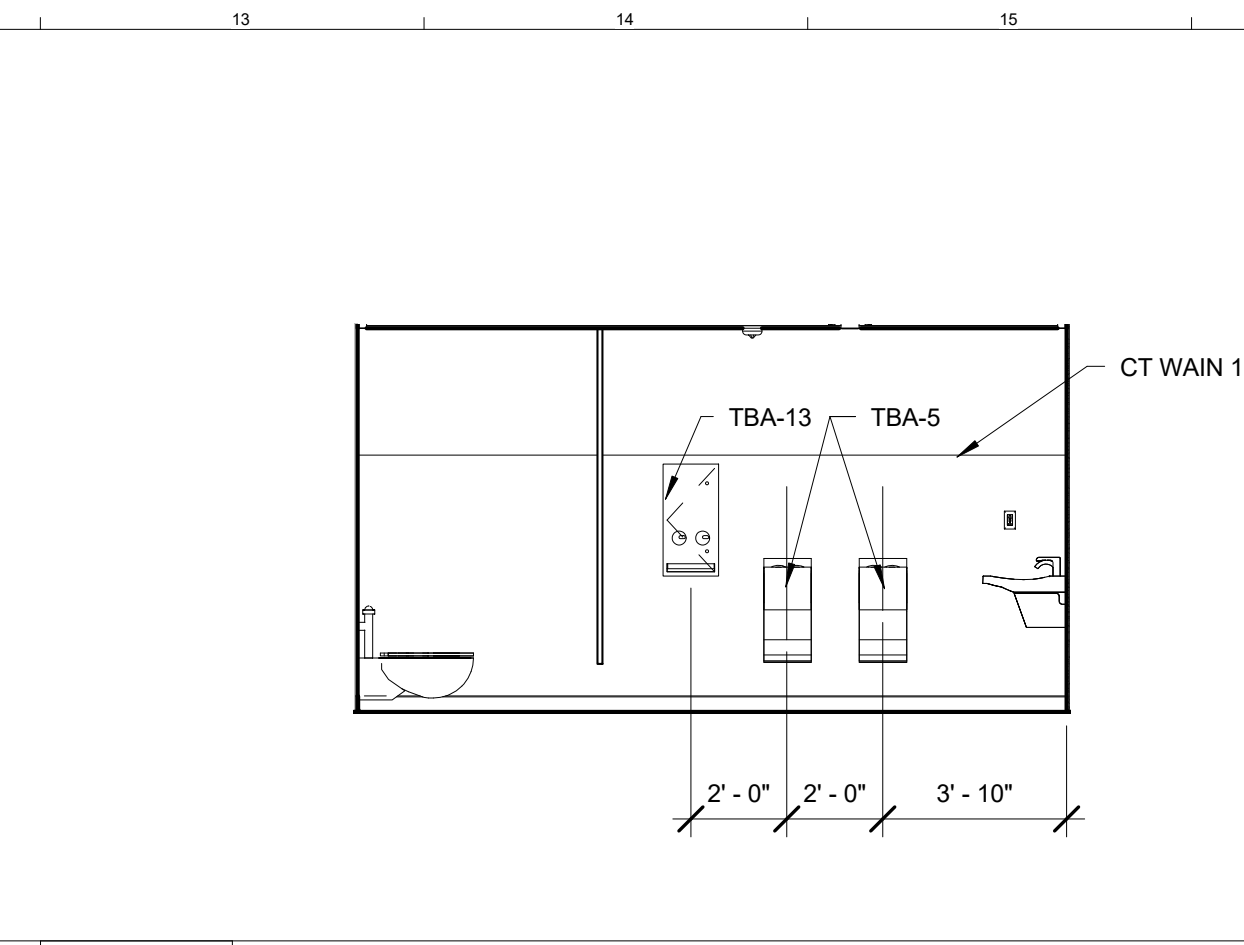


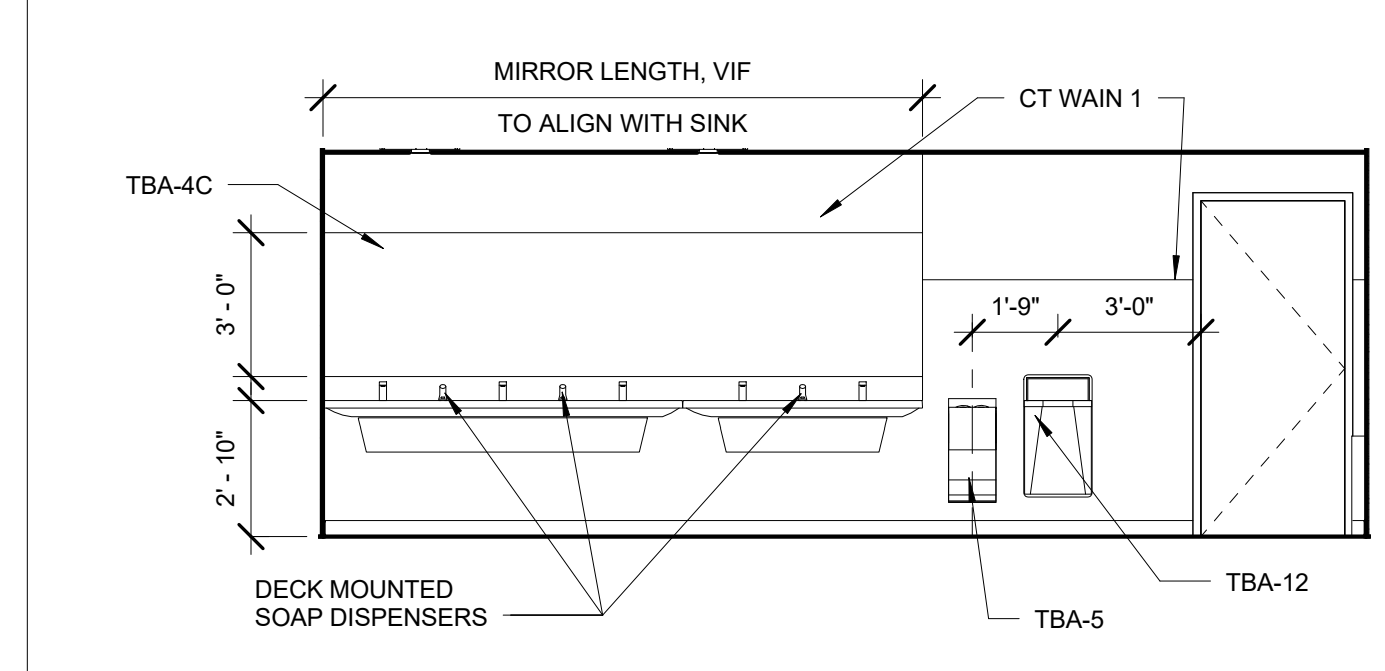
H1 113 WOMEN'S RESTROOM  
1/2" = 1'-0"



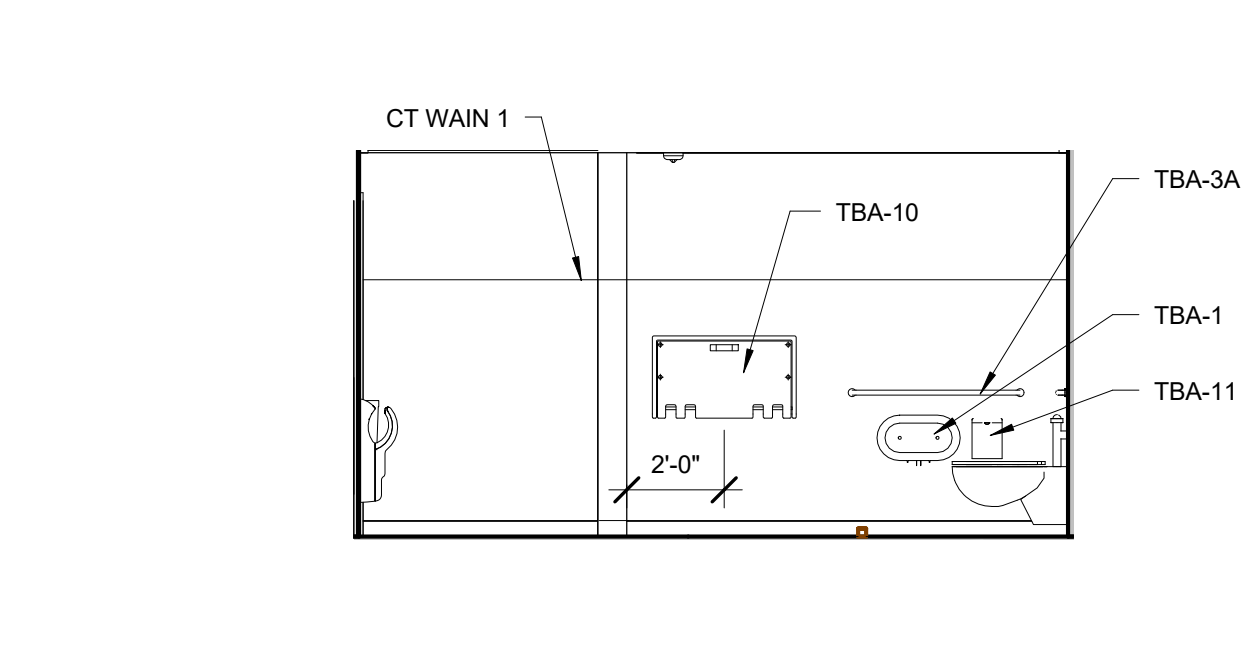
L9 113 - WOMEN'S RR - NORTH  
1/4" = 1'-0"



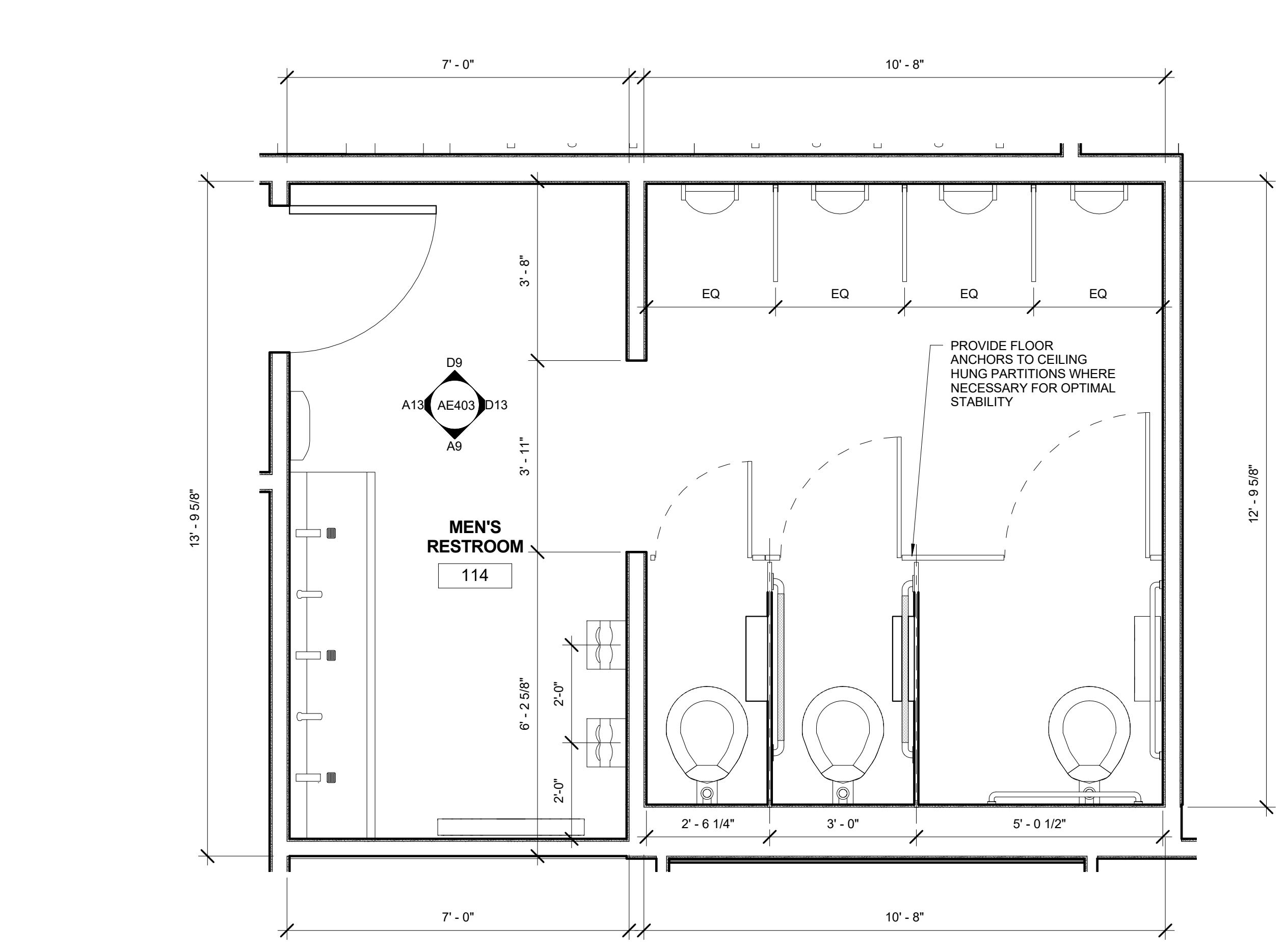
L13 113 - WOMEN'S RR - EAST  
1/4" = 1'-0"



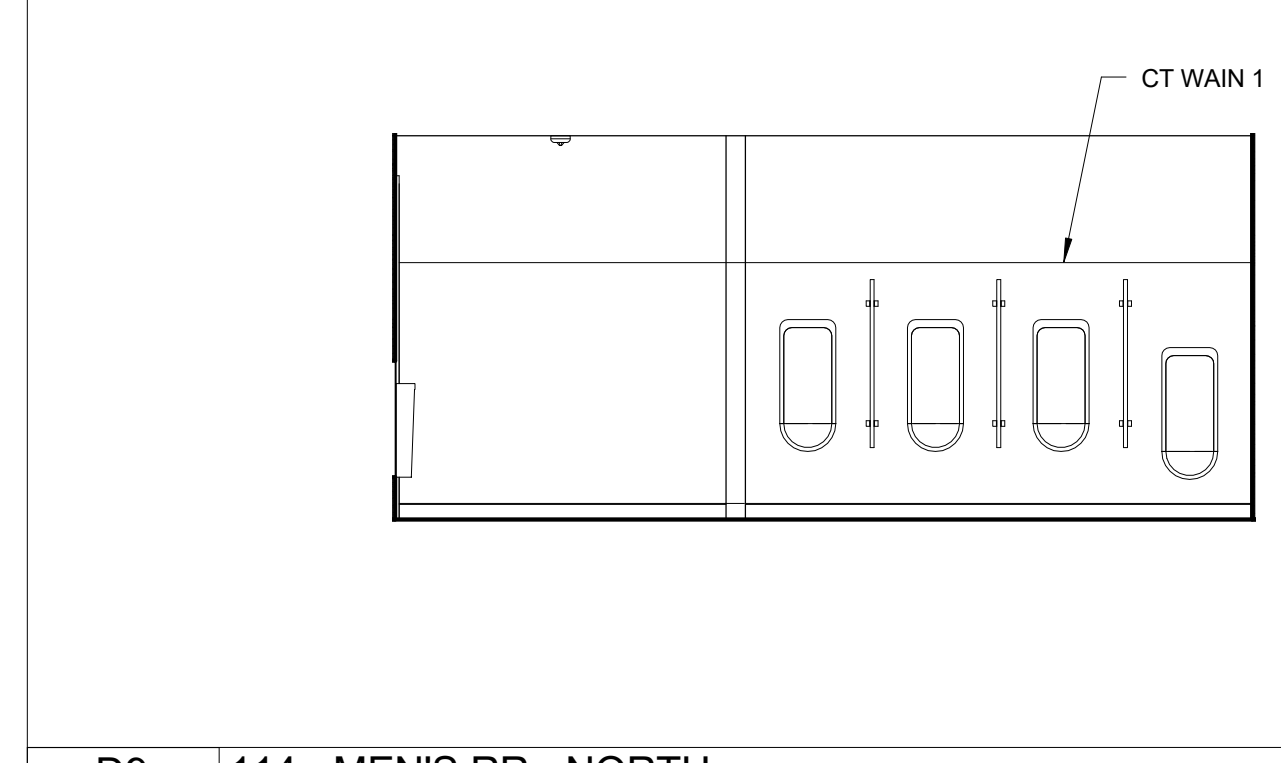
H9 113 - WOMEN'S RR - SOUTH  
1/4" = 1'-0"



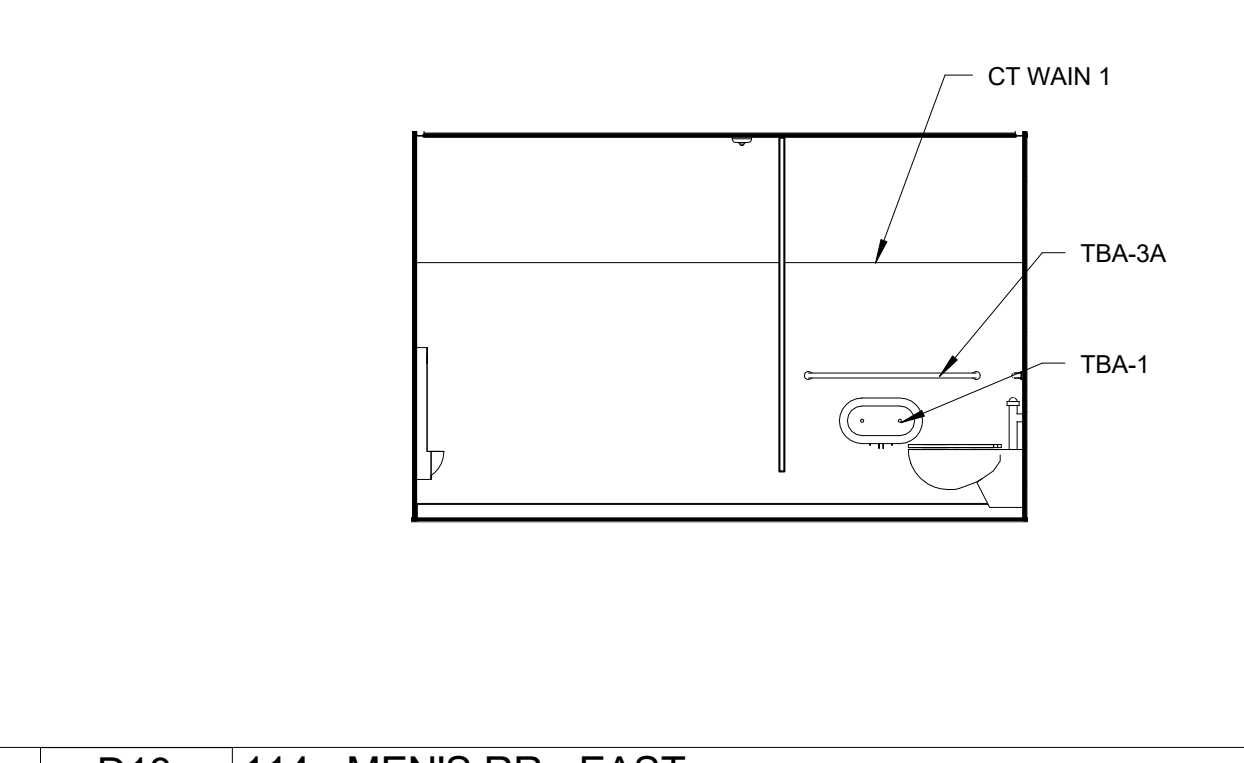
H13 113 - WOMEN'S RR - WEST  
1/4" = 1'-0"



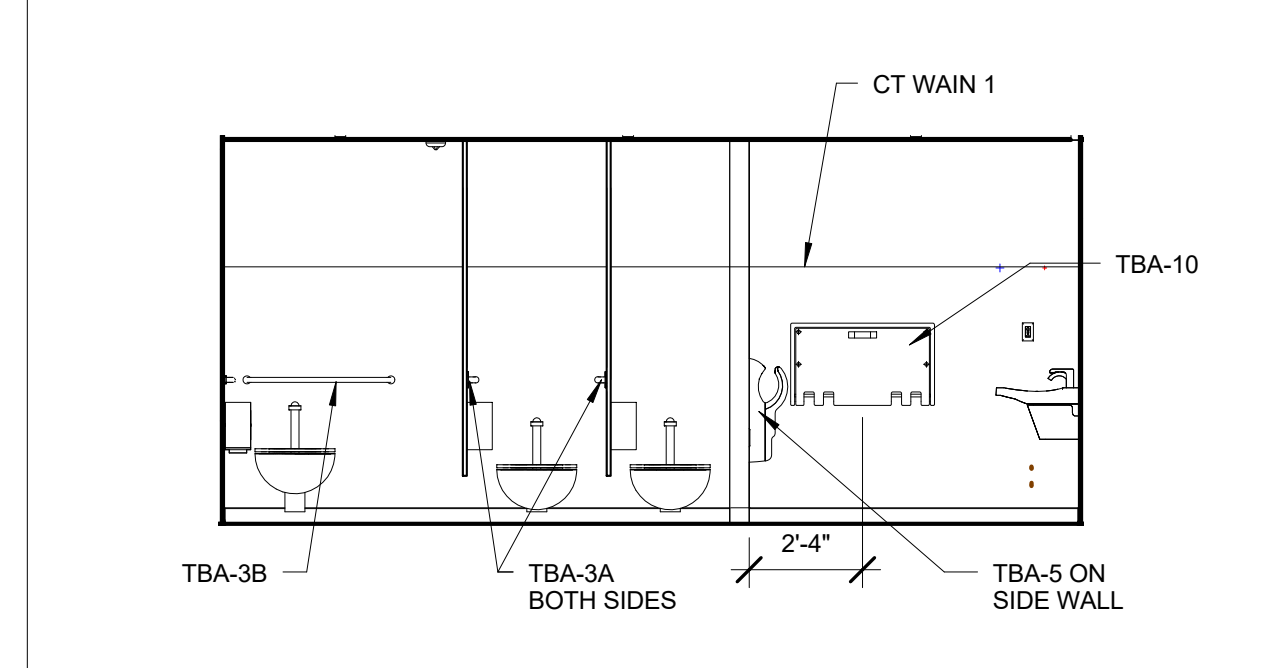
A1 114 MEN'S RESTROOM  
1/2" = 1'-0"



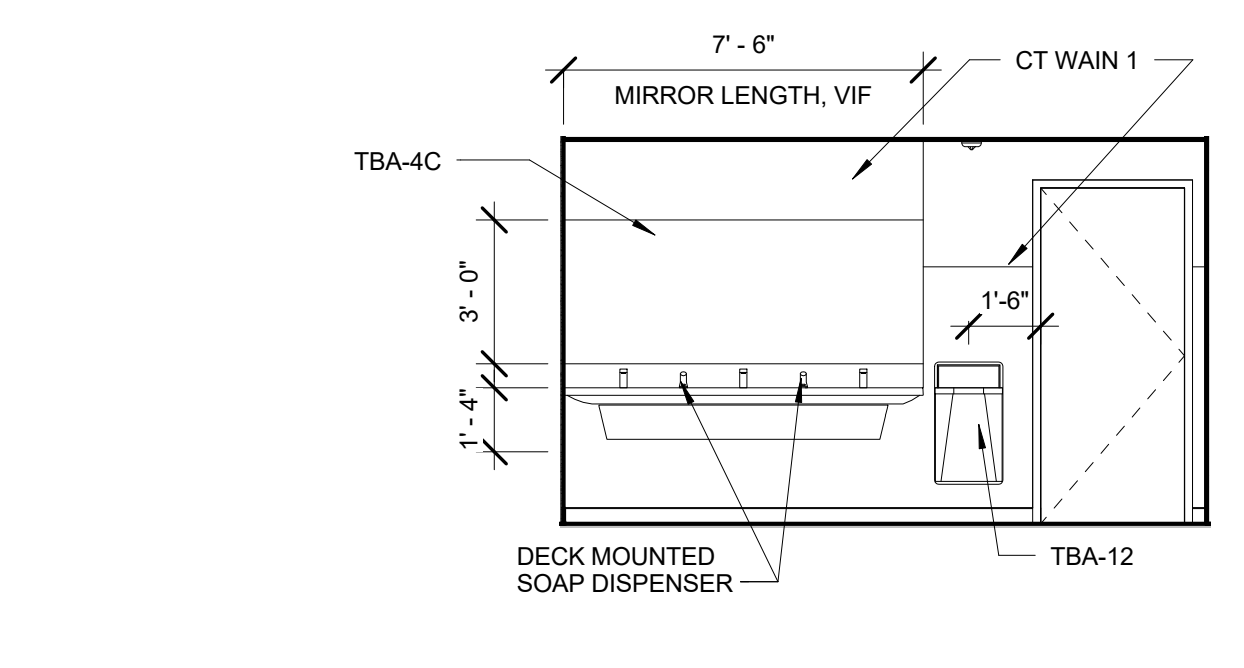
D9 114 - MEN'S RR - NORTH  
1/4" = 1'-0"



D13 114 - MEN'S RR - EAST  
1/4" = 1'-0"



A9 114 - MEN'S RR - SOUTH  
1/4" = 1'-0"



A13 114 - MEN'S RR - WEST  
1/4" = 1'-0"

- GENERAL INTERIOR ELEVATION NOTES:**
- REFER TO ARCHITECTURAL ABBREVIATIONS ON SHEET G1002 FOR ALL ABBREVIATIONS.
  - REFER TO H1/AE401 FOR TYPICAL TOILET AND BATH ACCESSORIES (TBA) LEGEND AND MOUNTING HEIGHT INFORMATION.
  - G.C. SHALL PROVIDE AND INSTALL BLOCKING STIFFENERS, BACKING PLATES AND SUPPORTING CASEWORK (BOTH CONTRACTOR AND OWNER SUPPLIED), TOILET ACCESSORIES, VISUAL DISPLAY UNITS AND MISCELLANEOUS EQUIPMENT WHETHER SUCH SUPPORTS ARE SHOWN OR NOT. G.C. TO COORDINATE BLOCKING REQUIREMENTS OF OWNER SUPPLIED ITEMS WITH THE OWNER.
  - REFER TO AE601 FOR ALL DOOR TYPES, STYLE AND FRAME STYLES.
  - ALL EQUIPMENT, CASEWORK, ETC. TO BE CS/CI, UNO.
  - REVER TO DIVISION 6 SPECIFICATION FOR DETAILED INFORMATION RELATED TO MILLWORK WOOD CABINETS, UNO.
  - "CJ" DENOTES GWB CONTROL JOINT LOCATIONS.
  - REFER TO FINISH PLANS FOR CORNER GUARD LOCATIONS.
  - REFER TO FINISH PLANS AND SCHEDULES FOR COUNTERTOP MATERIAL.
  - REFER TO AE405 FOR CT TILE PATTERNS.
  - VERIFY ALL TOILET PARTITION DIMENSIONS IN THE FIELD BEFORE FABRICATION.

| REV. | DESCRIPTION             | DATE         |
|------|-------------------------|--------------|
| 0    | ISSUED FOR CONSTRUCTION | 06 JUNE 2016 |

PROJECT NORTH

**WBRC**  
ARCHITECTS ENGINEERS  
WWW.WBRCAE.COM  
BANGOR, MAINE 207-947-4511  
PORTLAND, MAINE 207-528-4511  
SARASOTA, FLORIDA 941-556-0757

**ASYLUM**

PROJECT:

**ENLARGED RESTROOM PLANS & ELEVATIONS**

SHEET TITLE:

WBRC CAD FILE: C:\Users\jocelyn.booth\Documents\407110 - ASYLUM DANCE CLUB - ARCH\_jocelyn.booth.rvt

PROJECT No: 4071.10

SCALE: As Indicated

PROJECT MANAGER: JRB

DRAWN BY: ARW

CHECKED BY: JLR

GRAPHIC SCALE: 0" = 1'

SHEET No: **AE403**

6/7/2016 8:38:39 AM C:\Users\jocelyn.booth\Documents\407110 - ASYLUM DANCE CLUB - ARCH\_jocelyn.booth.rvt