

SUBMITTAL DATA

Project: David's Restaurant
Mechanical Contractor: Maine Heating and Cooling
Date: April 26, 2017
Product: Vertical Water Source Heat Pumps
Specification Section: Replacements
Revision: 0

Tag	Qty	Model / Description	Manufacturer
8 Ton	1	WLVC1096/ Vertical WSHP	Daikin Applied
10 Ton	1	WLVC1120 / Vertical WSHP	Daikin Applied

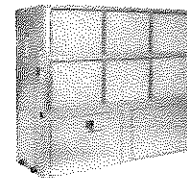
Please confirm voltage and unit handing/configuration.

Prepared by:
Ann Marie Juliano
ajuliano@briggsac.com
 207-657-7123 ext. 202



Job Information Technical Data Sheet

Job Name Davids Restaurant
Date 04/26/2017
Submitted By Ann Marie Juliano
Software Version 04.70
Unit Tag 8 ton



Unit Overview

Model Number	Voltage V/Hz/Phase	Air Flow CFM	Fluid Flow gpm	Cooling Capacity Btu/hr	Cooling Efficiency EER @ design	Heating Capacity Btu/hr	Heating Efficiency COP @ design
WLVC1096	208/60/3	3000	24.00	87138	13.18	106851	4.77

Unit

Model Number:	WLVC1096
Unit Type:	Large Vertical, Standard Range
Unit Construction:	Fiberglass Insulation
Approval:	ETL, CETL, ARI
Refrigerant Type	R-410A
Refrigerant Weight	60.0 oz

Unit Performance

Air & Water Flow									
Airflow	Total External Static Pressure		Fluid Flow		Fluid Type	Fluid Pressure Drop			
3000 CFM	0.37 inH ₂ O		24.00 gpm / 3.00 gpm/ton		Water	22.18 ft H ₂ O			
Cooling Performance									
Fluid Temperature		Air Temperature				Capacity		Heat of Rejection	EER @ design
Entering °F	Leaving °F	Entering Dry Bulb °F	Entering Wet Bulb °F	Leaving Dry Bulb °F	Leaving Wet Bulb °F	Total Btu/hr	Sensible Btu/hr	Btu/hr	
85.0	94.1	80.0	67.0	60.5	57.5	87138	61960	109704	13.18
Heating Performance									
Fluid Temperature		Air Temperature		Capacity	Heat of Absorption	COP @ design			
Entering °F	Leaving °F	Entering Dry Bulb °F	Leaving Dry Bulb °F	Total Btu/hr	Btu/hr				
70.0	63.0	70.0	103.0	106851	84448	4.77			

Electrical


Unit Voltage	208/60/3	Minimum Voltage	187 V	Total Unit MCA	35.80 A	Total Unit Full Load Current	32.40 A
Compressor RLA	13.70 A	Compressor LRA	83.1 A	Motor FLA	5.00 A	Maximum Recommended Fuse Size / HACR Breaker Size	
							45 A

Physical						
Unit						Connections
Length	Height	Width	Weight		Connections	
28.00 in	55.75 in	54.62 in	Shipping	Operating	Water, FPT	Condensate, FPT
			620 lb	588 lb	1.25	1.00 in
Cabinet						
Construction Type		Piping Hand			Condensate Drain Pan	
Standard 1/2" Fiberglass		Right Side Pipe Connections			Galvanized Steel	
Fan				Controls		
Type	Type	Motor	Horsepower	Drive Type	Type	
DWDI FC	Belt Drive - Integral HP Motor		1.500 hp	Belt	Microtech III Base Controller	
Airstream						
Discharge		Air	Return	Filter		
Upblast Front			Front	(Quantity) Height x Width x Depth (4) 25 in x 16 in x 2 in		

Options	
Heating	
Heat Exchanger:	Copper Inner Tube / Steel Outer Tube
Filter Options	
Filter Options:	2" 4-Sided, MERV 8 filter
Controls	
Control Transformer:	75VA Control Transformer
Condensate Overflow:	Sensor

Warranty	
Entire Unit:	One Year Entire Unit Parts Only Warranty, Not to Exceed 18 Months from Shipment
OPTIONAL EXTENDED:	Four Year Extended, Five Year Total Entire Unit Parts Only Warranty

AHRI Certification



All equipment is rated and certified in accordance with AHRI / ISO 13256-1 and tested, investigated, and determined to comply with the requirements of the standards for Heating and Cooling Equipment UL-1995 for the United States and CAN/CSA-C22.2 NO.236 for Canada.

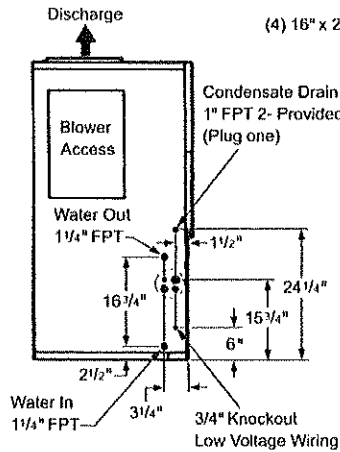
Certified Drawing	LVC-LVW-096 Specs
The Water Source Heat Pump product represented on this document will conform to the drawings and specifications set out below, in accordance with the express, written Limited Warranty. Purchaser's acceptance of this drawing certifies that the conforming equipment meets the order specifications. No changes may be made to this document without the prior, express, written authorization of the manufacturer.	Group: WSHP
	Type: Large Vertical
	Date: March 2015

Daikin Enfinity™ Large Vertical WSHP

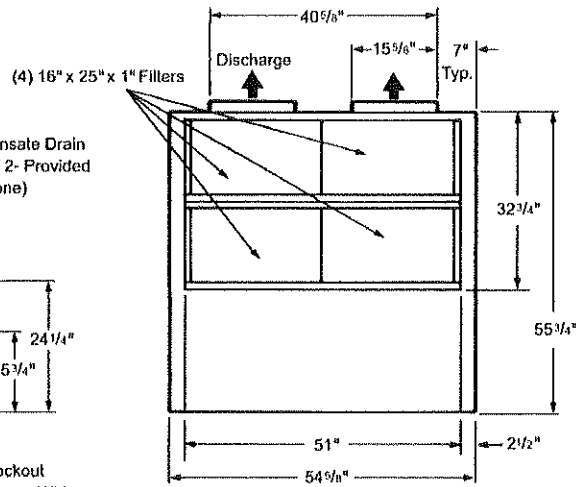
Models LVC/LVW – Unit Size 096

Dimensions

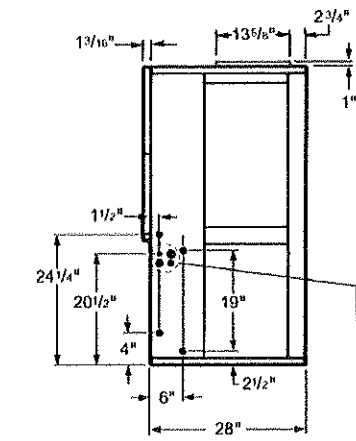
Left Hand Piping



Front View-Front Return

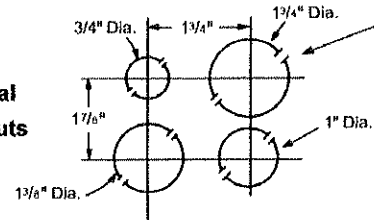


Right Hand Piping



Overall unit dimensions: 54 5/8" W x 55 1/4" H x 28" D

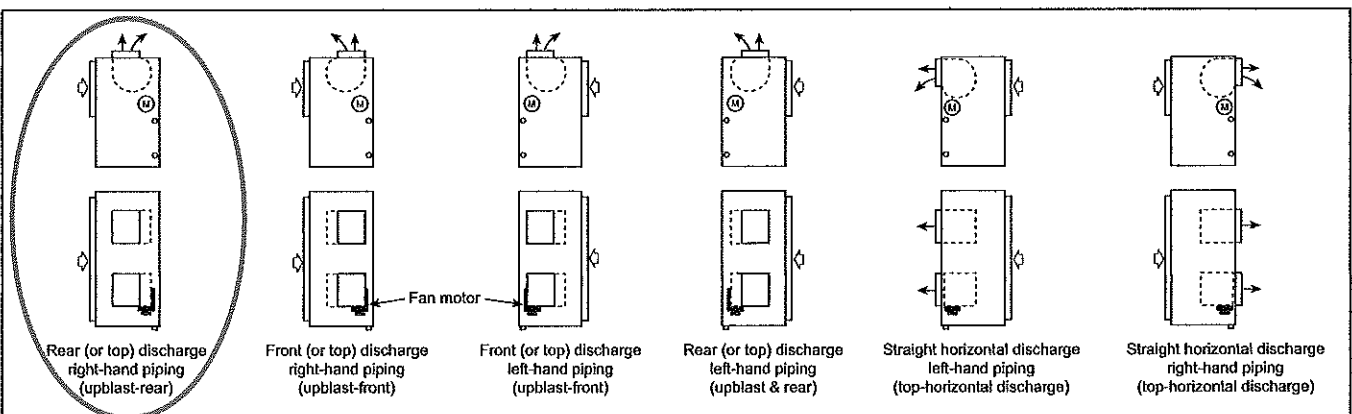
Electrical knockouts



Fan Discharge Arrangements

Six fan discharge arrangements and two piping arrangements are available. With the return air side defined as the "front" of the unit, the water piping connections may be right-hand (side) or left-hand. All units have a single supply and return water connection with a copper FPT type fitting that protrudes through the unit casing for easy connection. The condensate connection is also a copper FPT type and is located on both sides of the unit. The unused connection is plugged.

Figure 1: Fan deck arrangements

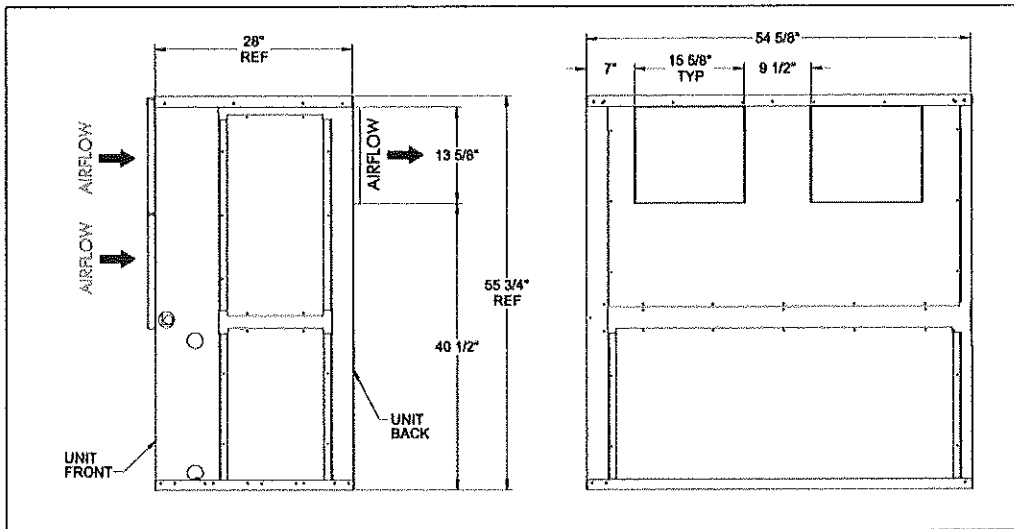


Note: 1. The hand of unit is determined by looking at the return air (filter) side. The piping and electrical connections are always made on the "hand" side of the unit.
2. The return air (filter) side is considered the "front" of the unit. The fan motor is always located at the piping/electrical connection (hand) side of the unit.



Enfinity Large Vertical WSHP - Models LVC/LVW – Unit Size 096

Figure 2: LVC/LVW top horizontal discharge opening – size 096



Filter rack and filters

Units come standard with a 1-inch, 4-sided, factory-installed filter rack and 1-inch disposable filters, Four filters for unit size 096. Filters can be removed from either side of the filter rack.

2" Filter Rack Included

Physical data

Table 1: Large vertical size 096

Unit Size		096
Fan Wheel - D x W (In.)		(2) 13 ³ / ₁₆ " x 12 ³ / ₁₆ "
Fan Motor Horsepower	Standard Static	1.5
	High Static	2.0
Coil Face Area (Sq. Ft.)		10.0
Coil Rows		3
Refrigerant Charge (Oz.)	Compressor 1	60
	Compressor 2	56
Standard Filter, (Qty.) Size (In.)		(4) 18" x 25 x 1"
Water Connections, Female NPT		1 ¹ / ₄ " FPT
Condensate Connections, Female NPT		1" FPT
Weight, Operating (Lbs.)		588
Weight, Shipping (Lbs.)		620



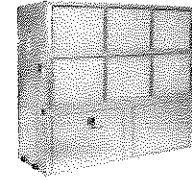
© 2015 Daikin Applied • www.DaikinApplied.com • (800) 432-1342

ENFINITY™ Heat Pump



Job Information Technical Data Sheet

Job Name Davids Restaurant
Date 04/26/2017
Submitted By Ann Marie Juliano
Software Version 04.70
Unit Tag 10 ton



Unit Overview

Model Number	Voltage V/Hz/Phase	Air Flow CFM	Fluid Flow gpm	Cooling Capacity Btu/hr	Cooling Efficiency EER @ design	Heating Capacity Btu/hr	Heating Efficiency COP @ design
WLVC1120	208/60/3	4000	30.00	87138	13.18	106851	4.77

Unit

Model Number:	WLVC1120
Unit Type:	Large Vertical, Standard Range
Unit Construction:	Fiberglass Insulation
Approval:	ETL, CETL, ARI
Refrigerant Type	R-410A
Refrigerant Weight	80.0 oz

Unit Performance

Air & Water Flow									
Airflow	Total External Static Pressure		Fluid Flow		Fluid Type	Fluid Pressure Drop			
4000 CFM	0.50 inH ₂ O		30.00 gpm / 3.00 gpm/ton		Water	22.18 ft H ₂ O			
Cooling Performance									
Fluid Temperature		Air Temperature				Capacity		Heat of Rejection	EER @ design
Entering °F	Leaving °F	Entering Dry Bulb °F	Wet Bulb °F	Leaving Dry Bulb °F	Wet Bulb °F	Total Btu/hr	Sensible Btu/hr	Btu/hr	
85.0	0.0	80.0	67.0	65.4	60.0	87138	61960	109704	13.18
Heating Performance									
Fluid Temperature		Air Temperature				Capacity	Heat of Absorption	COP @ design	
Entering °F	Leaving °F	Entering Dry Bulb °F	Leaving Dry Bulb °F		Total Btu/hr	Btu/hr			
70.0	63.0	70.0	94.8		106851	84448	4.77		

Electrical

Unit Voltage	Minimum Voltage	Total Unit MCA	Total Unit Full Load Current
208/60/3	187 V	41.60 A	37.70 A
Compressor RLA	Compressor LRA	Motor FLA	Maximum Recommended Fuse Size / HACR Breaker Size
15.60 A	110.0 A	6.50 A	50 A

ENFINITY™ Heat Pump




Physical						
						Unit
Length	Height	Width	Weight		Connections	
28.00 in	55.75 in	54.62 in	Shipping	Operating	Water, FPT	Condensate, FPT
			710 lb	681 lb	1.25	1.00 in
Cabinet						
Construction Type		Piping Hand			Condensate Drain Pan	
Standard 1/2" Fiberglass		Right Side Pipe Connections			Galvanized Steel	
Fan				Controls		
Type	Type	Motor	Horsepower	Drive Type	Type	
DWDI FC	Belt Drive - Integral HP Motor		2.000 hp	Belt	Microtech III Base Controller	
Airstream						
Discharge		Air	Return	Filter		
Upblast Front			Front	(Quantity) Height x Width x Depth (4) 25 in x 16 in x 2 in		

Options	
Heating	
Heat Exchanger:	Copper Inner Tube / Steel Outer Tube
Filter Options	
Filter Options:	2" 4-Sided, MERV 8 filter
Controls	
Control Transformer:	75VA Control Transformer
Condensate Overflow:	Sensor

Warranty	
Entire Unit:	One Year Entire Unit Parts Only Warranty, Not to Exceed 18 Months from Shipment
OPTIONAL EXTENDED:	Four Years Extended, Five Years Total Entire Unit Parts Only

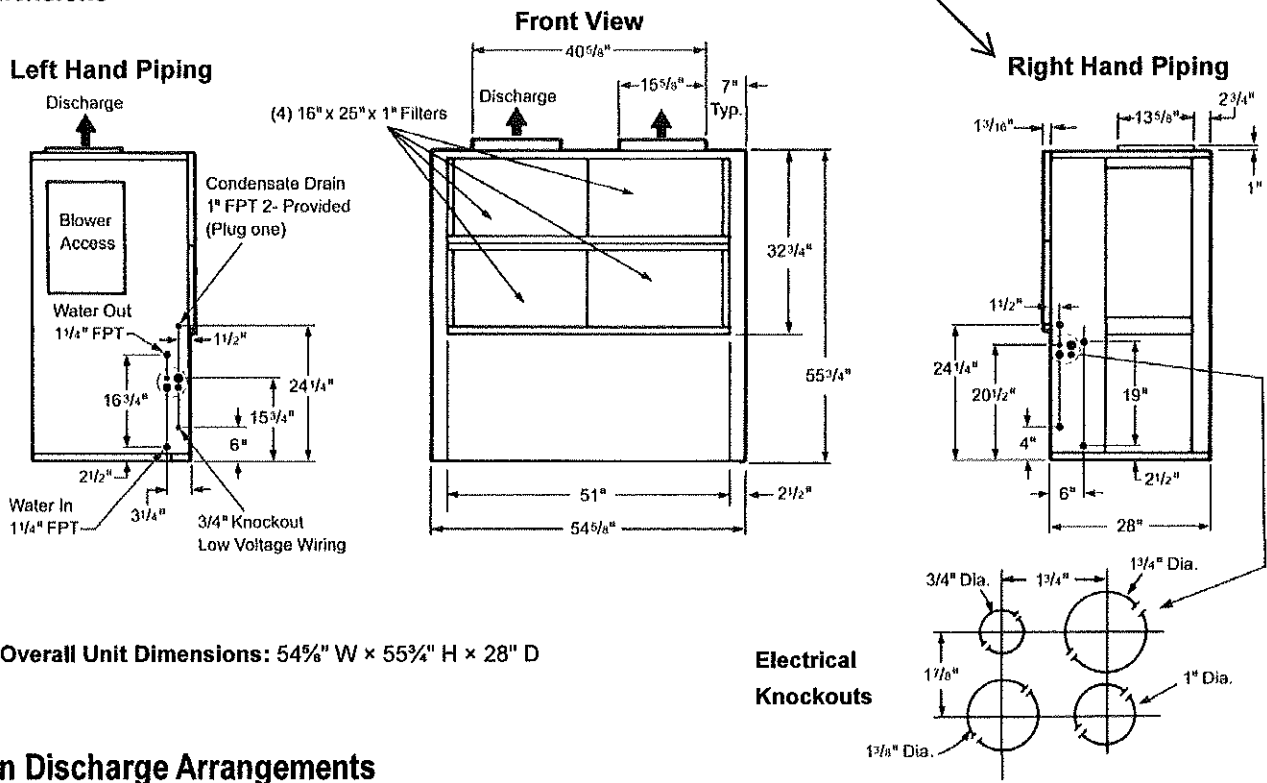
AHRI Certification



All equipment is rated and certified in accordance with AHRI / ISO 13256-1 and tested, investigated, and determined to comply with the requirements of the standards for Heating and Cooling Equipment UL-1995 for the United States and CAN/CSA-C22.2 NO.236 for Canada.

Certified Drawing	LVC-LVW-120 Specs
<p>The Water Source Heat Pump product represented on this document will conform to the drawings and specifications set out below, in accordance with the express, written Limited Warranty. Purchaser's acceptance of this drawing certifies that the conforming equipment meets the order specifications. No changes may be made to this document without the prior, express, written authorization of the manufacturer.</p>	Group: WSHP
	Type: Large Vertical
	Date: March 2015

Daikin Enfinity™ Large Vertical WSHP
Models LVC/LVW – Unit Size 120
Dimensions

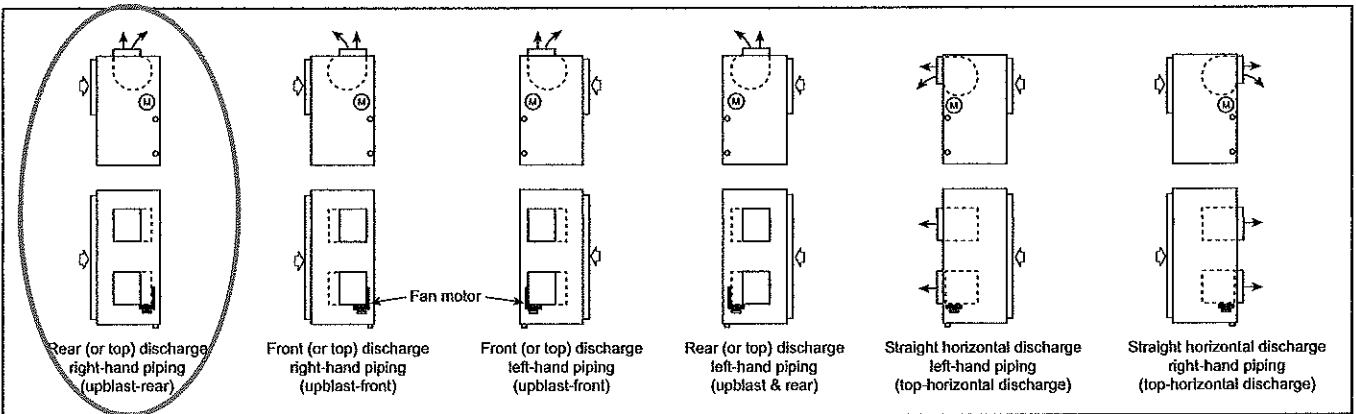


Overall Unit Dimensions: 54 5/8" W × 55 3/4" H × 28" D

Fan Discharge Arrangements

Six fan discharge arrangements and two piping arrangements are available. With the return air side defined as the "front" of the unit, the water piping connections may be right-hand (side) or left-hand. All units have a single supply and return water connection with a copper FPT type fitting that protrudes through the unit casing for easy connection. The condensate connection is also a copper FPT type and is located on both sides of the unit. The unused connection is plugged.

Figure 1: Fan deck arrangements

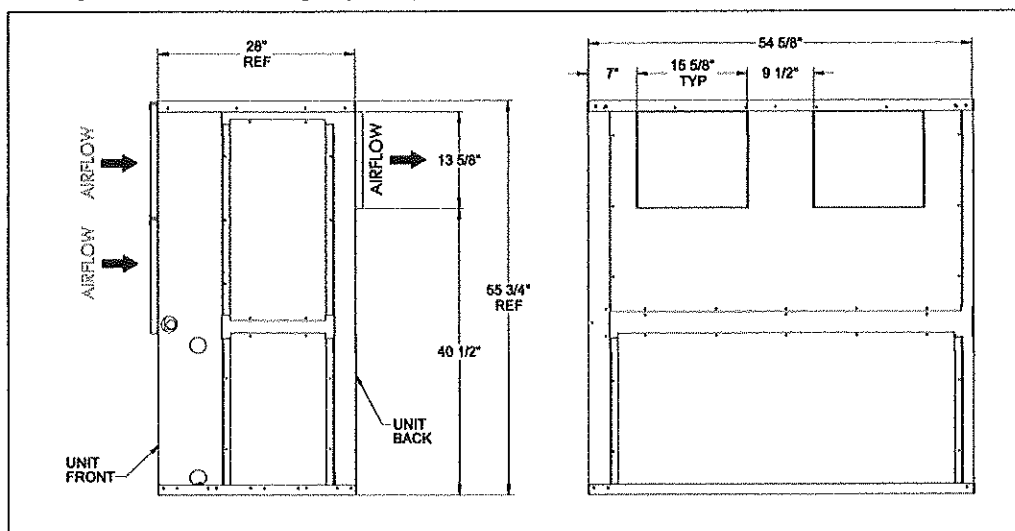


Note: 1. The hand of unit is determined by looking at the return air (filter) side. The piping and electrical connections are always made on the "hand" side of the unit.
 2. The return air (filter) side is considered the "front" of the unit. The fan motor is always located at the piping/electrical connection (hand) side of the unit.



Enfinity Large Vertical WSHP - Models LVC/LVW – Unit Size 120

Figure 2: LVC/LVW top horizontal discharge opening – size 120



Filter rack and filters

Units come standard with a 1-inch, 4-sided, factory-installed filter rack and 1-inch disposable filters, Four filters for unit size 120. Filters can be removed from either side of the filter rack.

2" filter Rack Included

Physical data

Table 1: Large vertical size 120

Unit Size		120
Fan Wheel - D x W (In.)		(2) 13 ³ / ₁₆ " x 12 ³ / ₁₆ "
Fan Motor Horsepower	Standard Static	2.0
	High Static	3.0
Coil Face Area (Sq. Ft.)		10.0
Coil Rows		4
Refrigerant Charge (Oz.)	Compressor 1	80
	Compressor 2	86
Standard Filter, (Qty.) Size (In.)		(4) 16" x 25 x 1"
Water Connections, Female NPT		1 ¹ / ₄ " FPT
Condensate Connections, Female NPT		1" FPT
Weight, Operating (Lbs.)		681
Weight, Shipping (Lbs.)		710



© 2015 Daikin Applied • www.DaikinApplied.com • (800) 432-1342