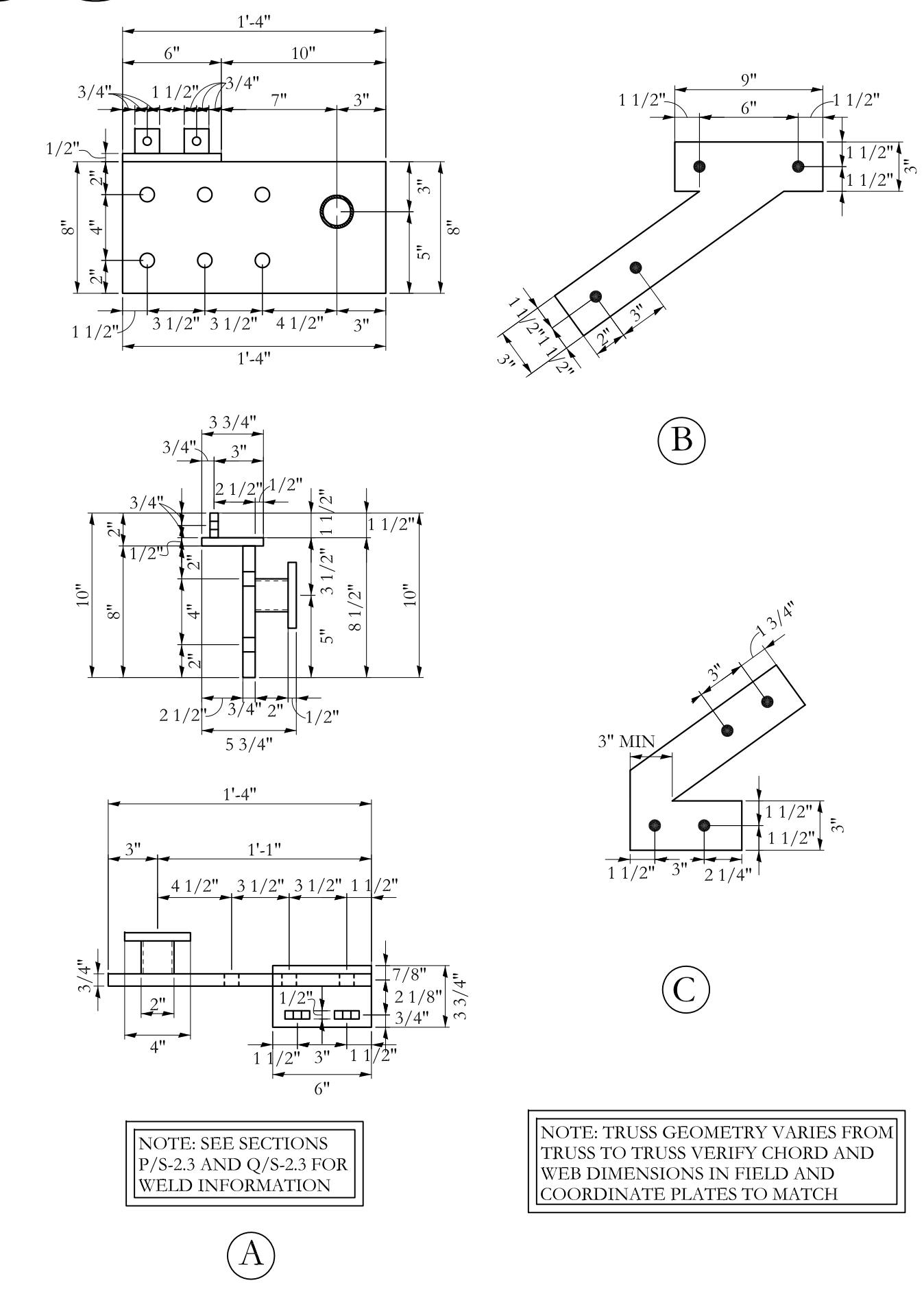
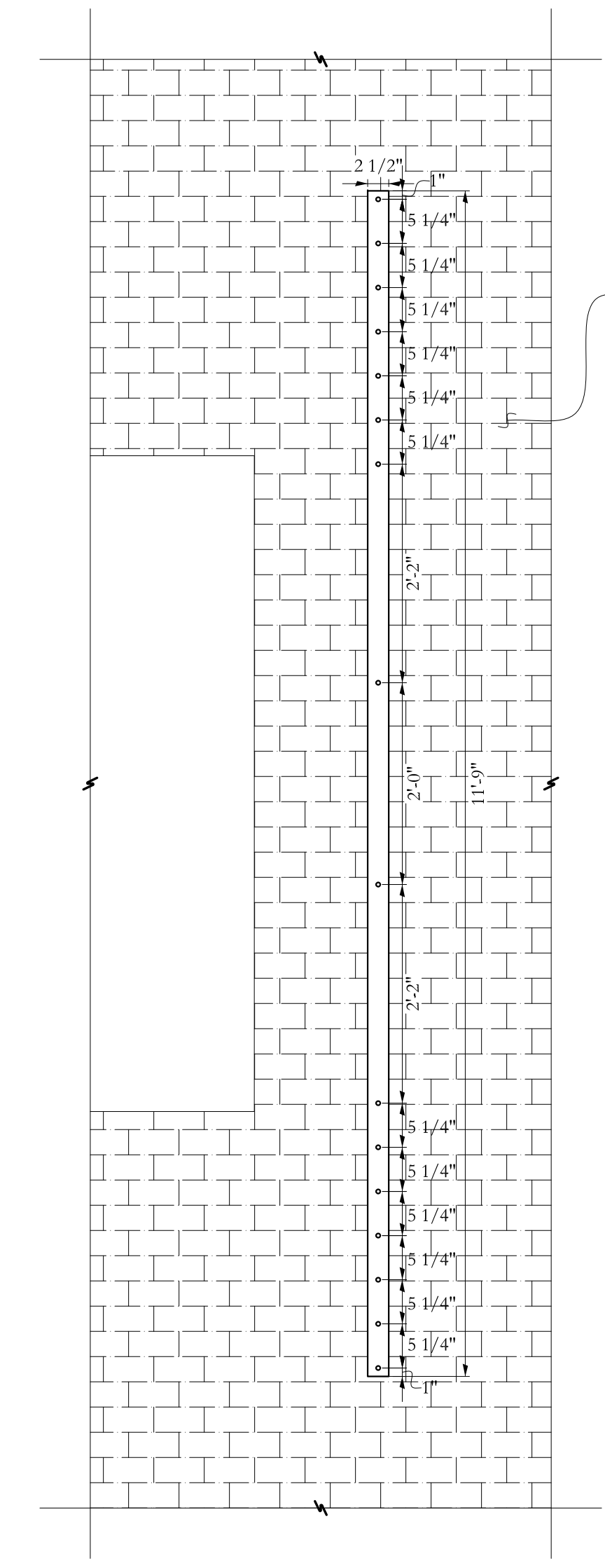


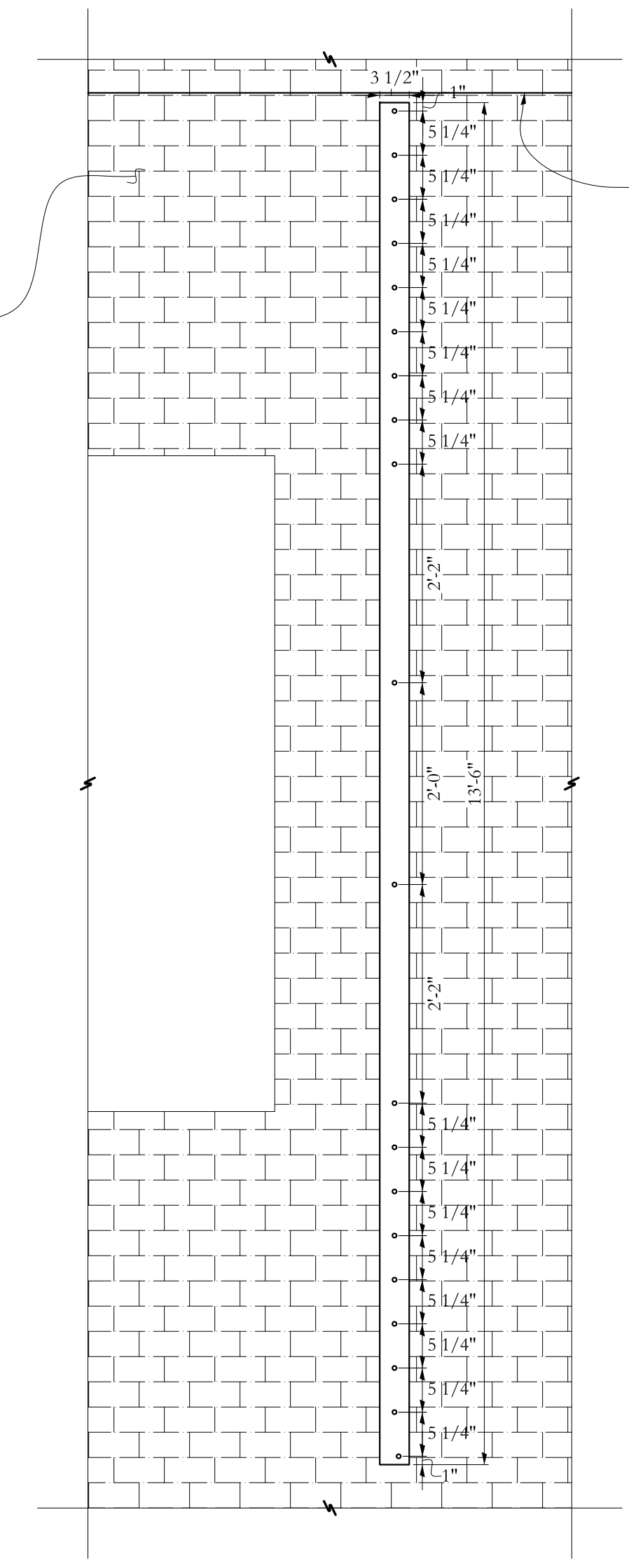
INTERIOR ELEVATION R S2.3 1/8"=1'-0"



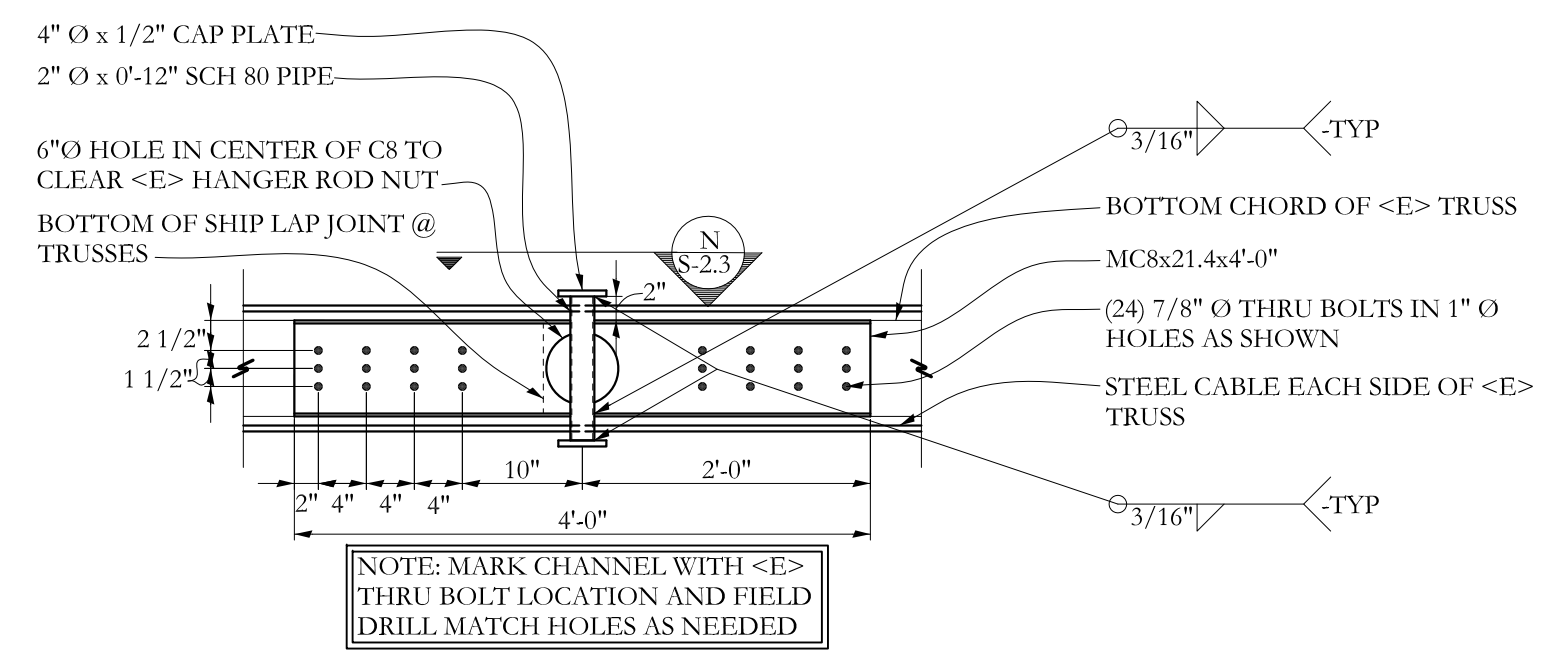
SECTION S S2.3 1 1/2"=1'-0"



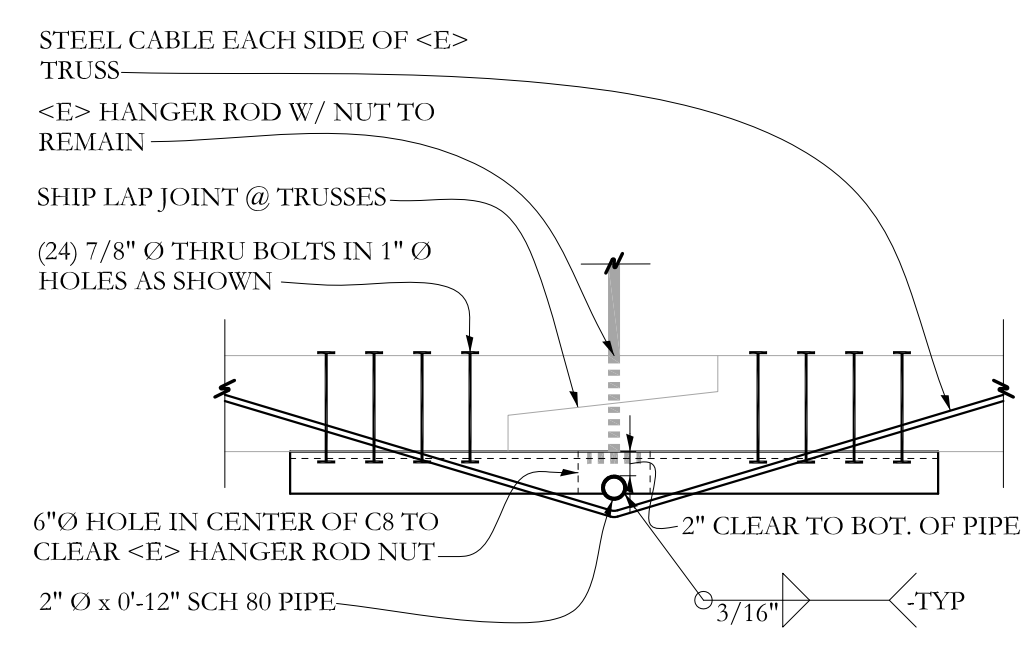
ELEVATION T S2.3 3/4"=1'-0"



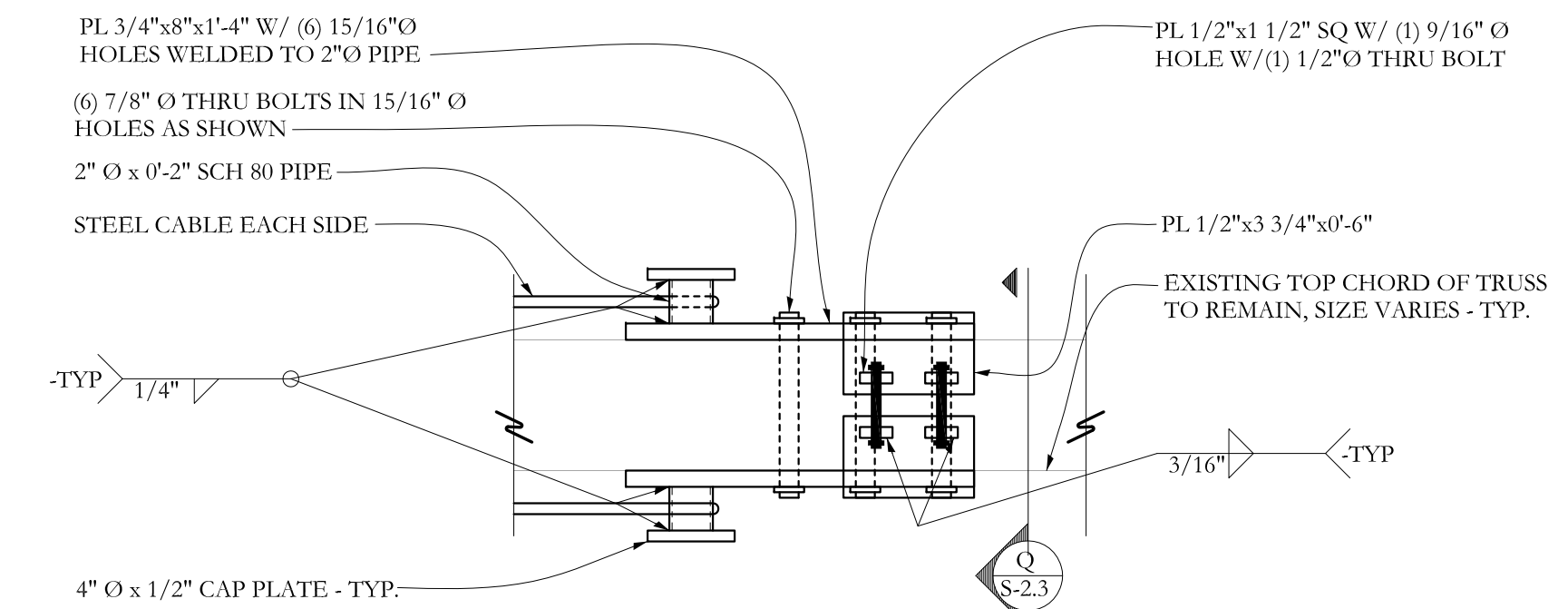
ELEVATION U S2.3 3/4"=1'-0"



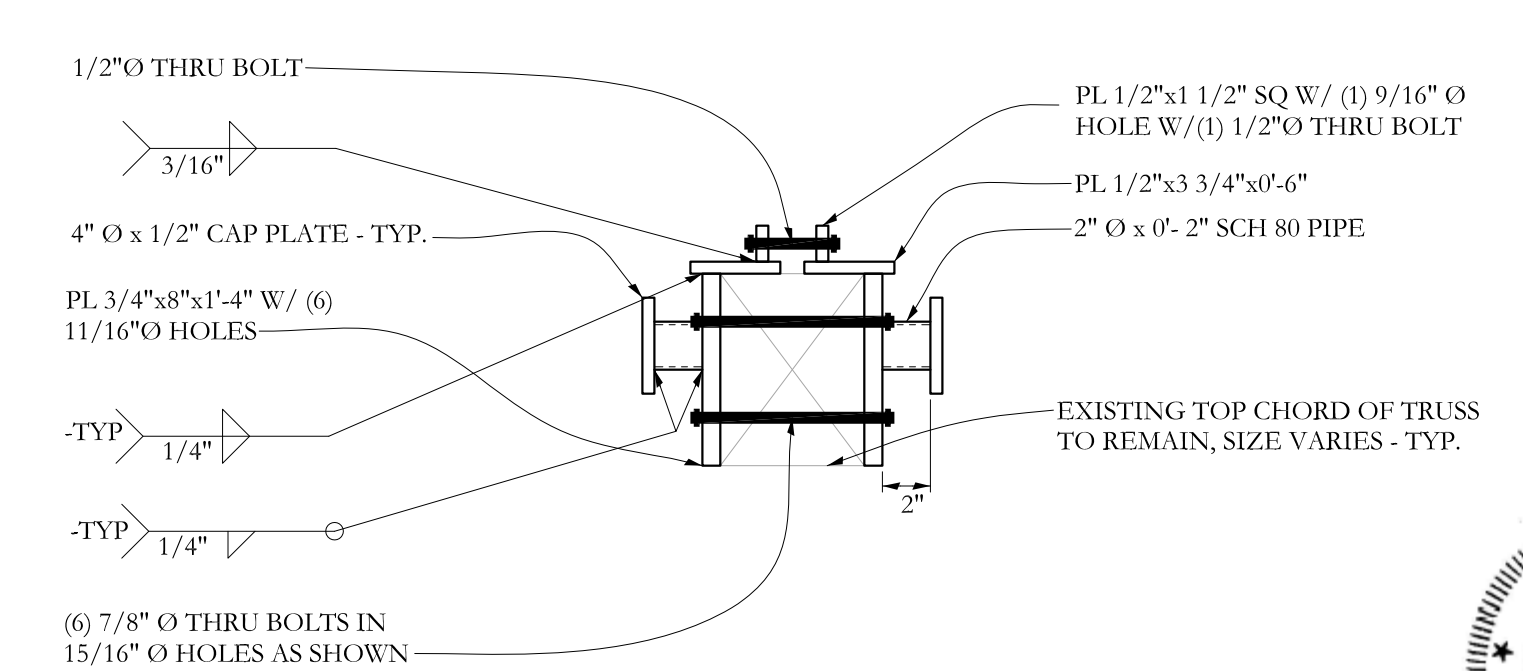
SECTION M S2.3 3/4"=1'-0"



SECTION N S2.3 3/4"=1'-0"



SECTION P S2.3 1 1/2"=1'-0"



SECTION Q S2.3 1 1/2"=1'-0"