

HOOD INFORMATION - Job#2075277

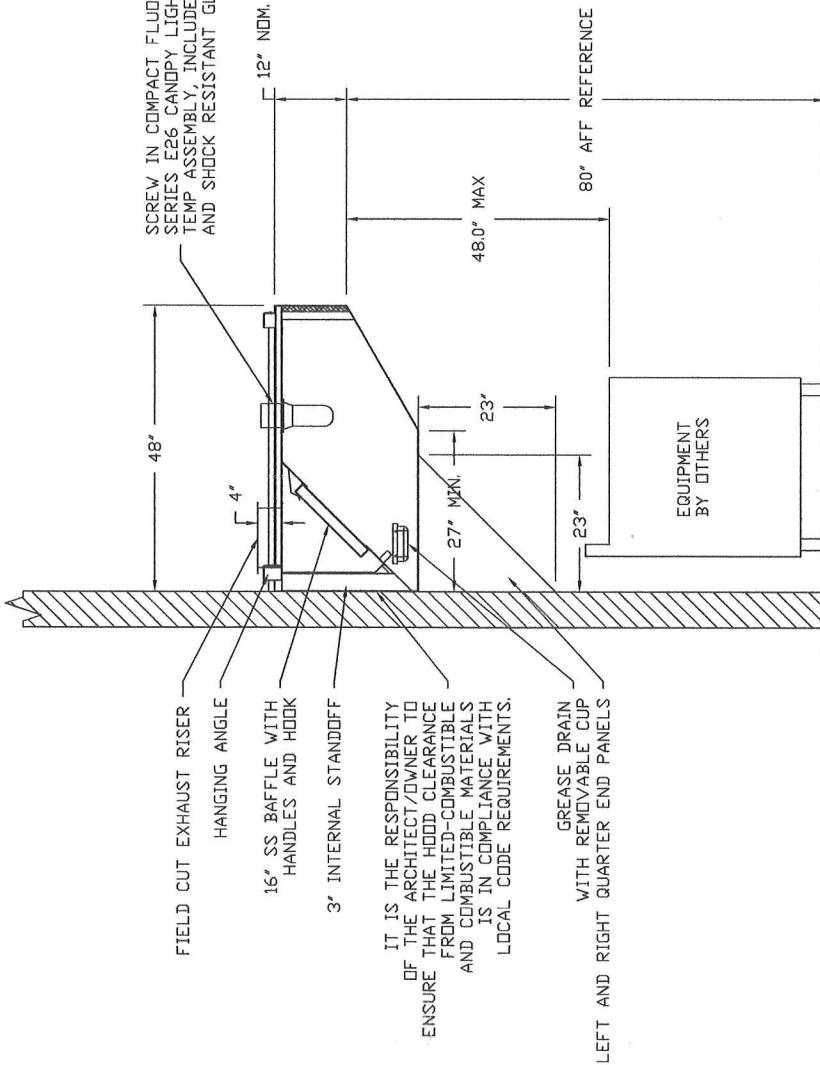
HOOD TAG	MODEL	LENGTH	MAX. COOKING TEMP.	EXHAUST PLENUM RISERS		HOOD CONSTRUCTION		HOOD CONFIG.	
				WIDTH	DIAM.	CFM	S.P.	END TO END	ROW
1	4812 SND-2	4' 0.00'	450 Deg.	10'	800	430 SS	430 SS	ALONE	ALONE

HOOD INFORMATION

HOOD TAG	TYPE	QTY.	HEIGHT	LENGTH	QTY.	TYPE	LIGHTS		UTILITY CABINETS		FIRE SYSTEM	HOOD HANGING PIPING	WEIGHT LBS
							WIRE GUARD	NO	SIZE	MODEL #			
1	SS Baffle with Handles	2	16"	16"	2	Screw In Compact	NO				NO		374

HOOD OPTIONS

HOOD TAG	OPTION
1	RIGHT QUARTER END PANEL 23" Top Width, 0" Bottom Width, 23" High 430 SS
	LEFT QUARTER END PANEL 23" Top Width, 0" Bottom Width, 23" High 430 SS



PLAN VIEW - Hood #1
4' 0.00" LONG 4812SND-2

SECTION VIEW - MODEL 4812SND-2
HOOD - #1

CUSTOMER APPROVAL TO MANUFACTURE:

Approved as Noted

Approved with NO Exception Taken

Revise and Resubmit

SIGNATURE _____ Date _____

Your Title _____



CAPTIVEAIRE

JOB Cupcakes	LOCATION Lewiston, ME.	JOB # 2075277
DATE 6/24/2014	DRAWN BY BFC-21	REV. SCALE 3/8" = 1'-0"