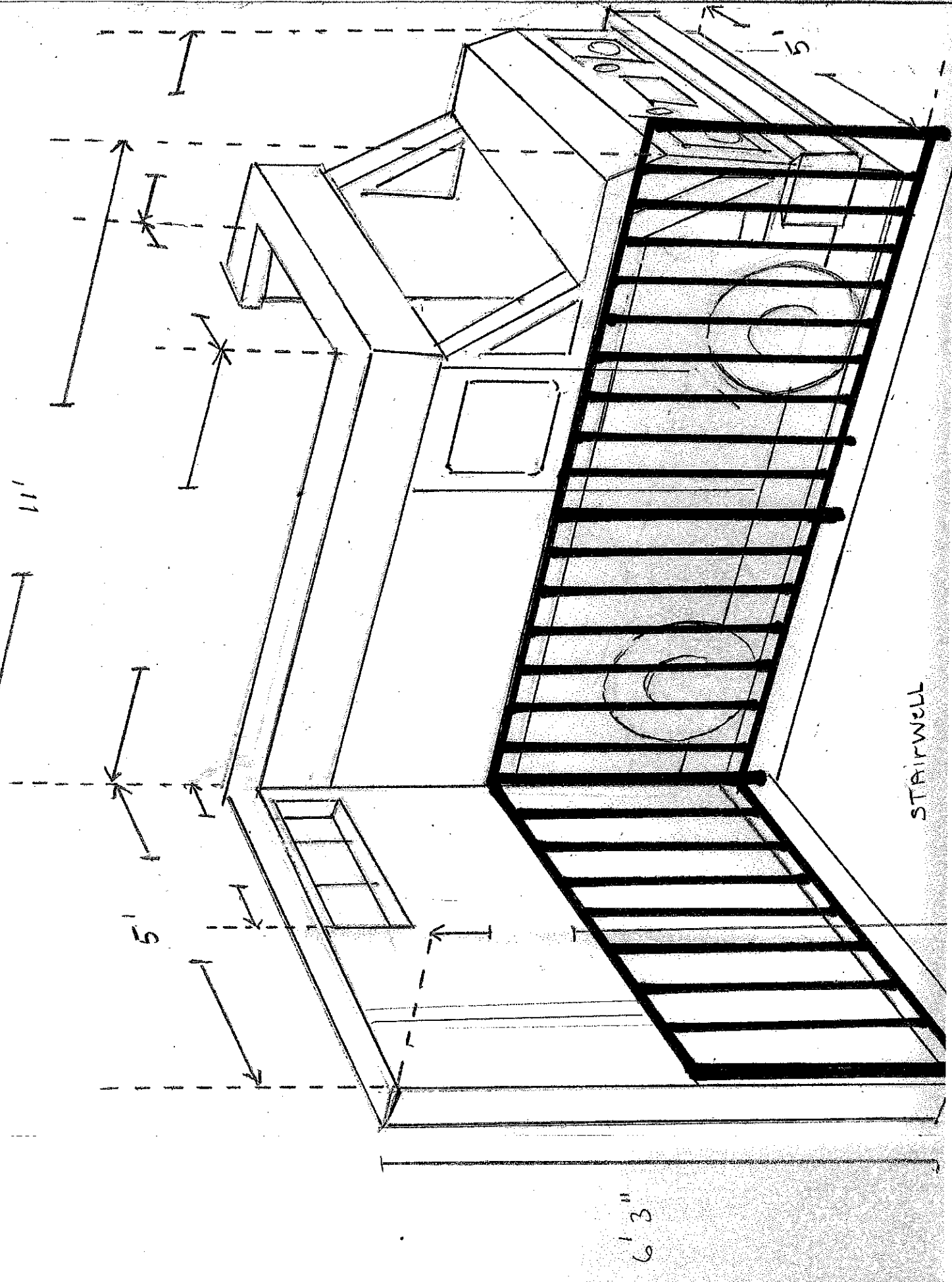


Kopceas Inc
207 749 1671

Public House Market CBL

2x4 KD PARTITION WALL

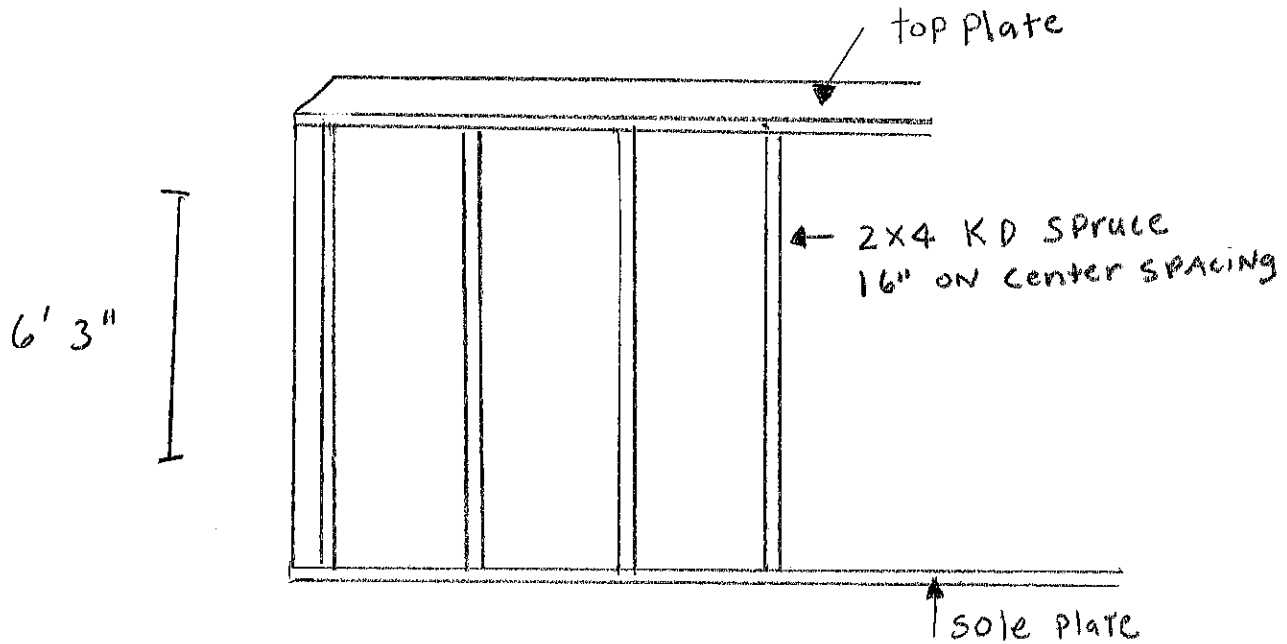


STAIRWELL

6'3"

Public House MARKET CBL

KUPCAKES INC 2ND Floor



FRAMING FOR 3 NON-LOAD BEARING PARTITION WALLS

Kupcakes Inc
207-749-1671