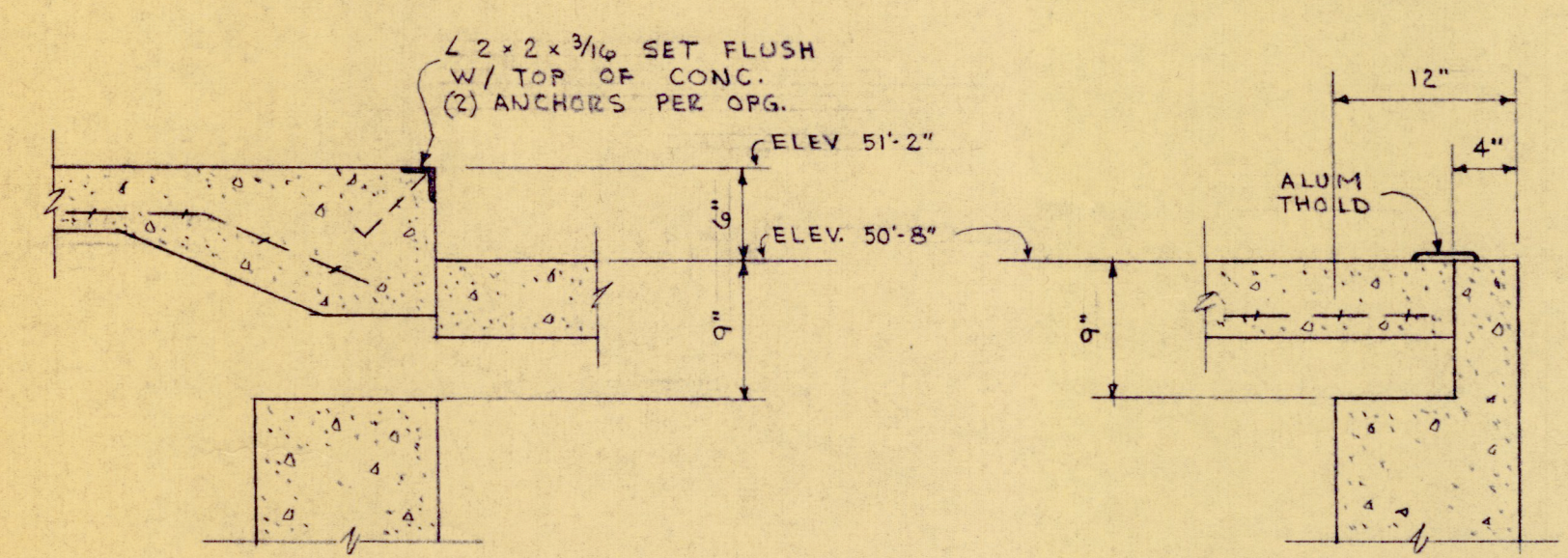
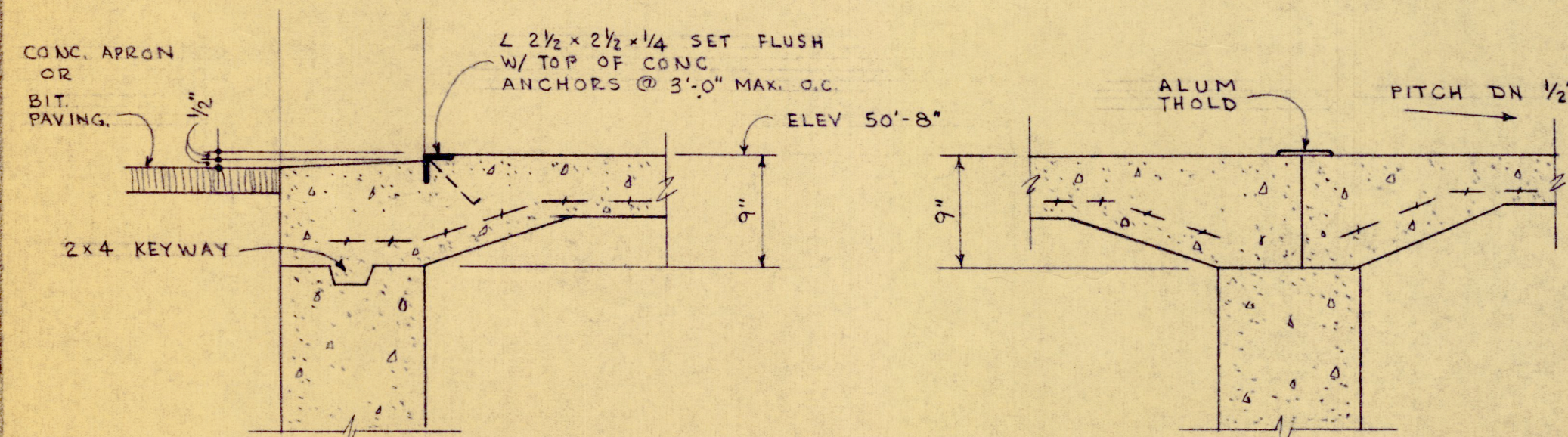


TYPICAL STEP FOOTING DETAIL
NO SCALE

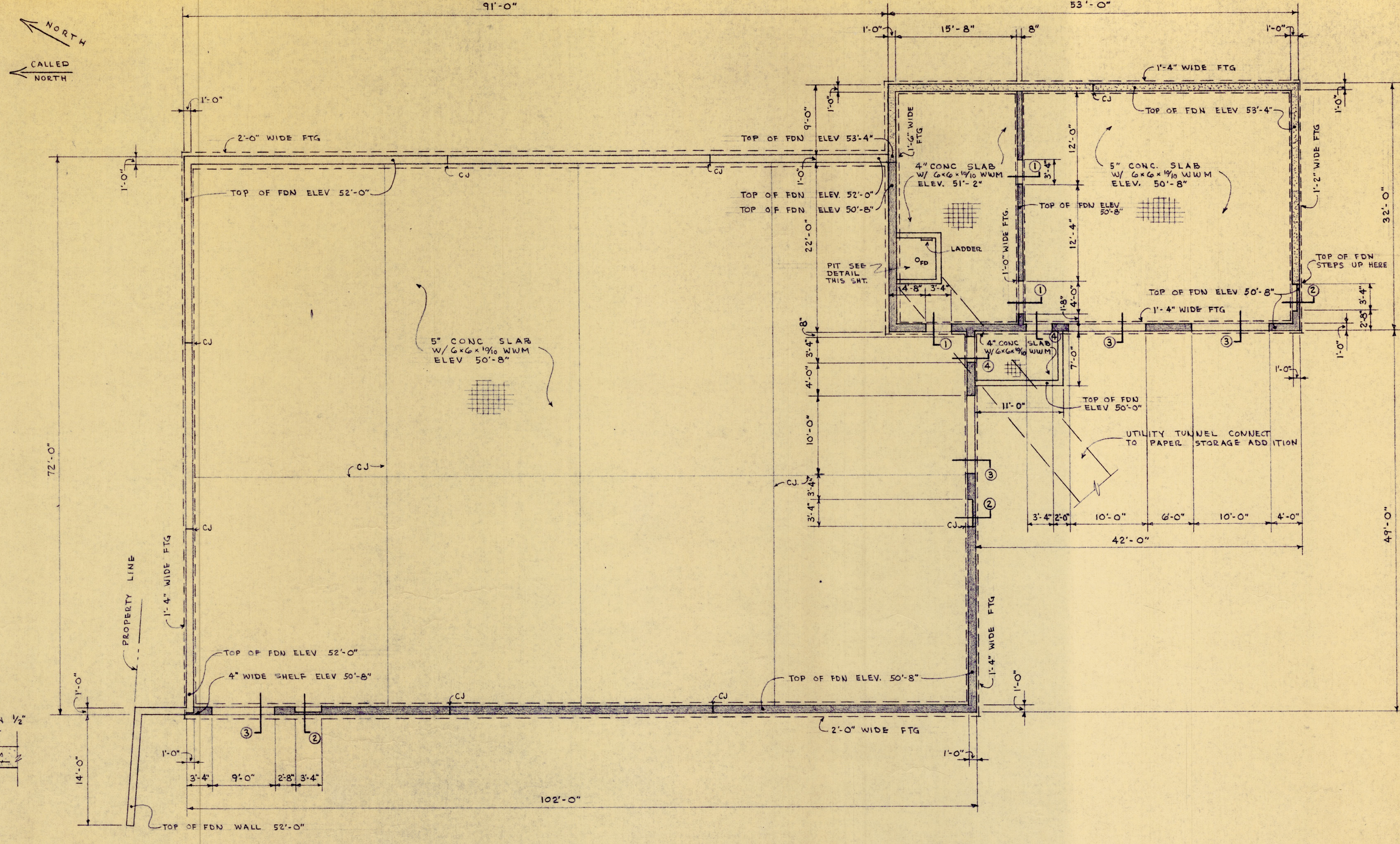


SECTION 1 SECTION 2

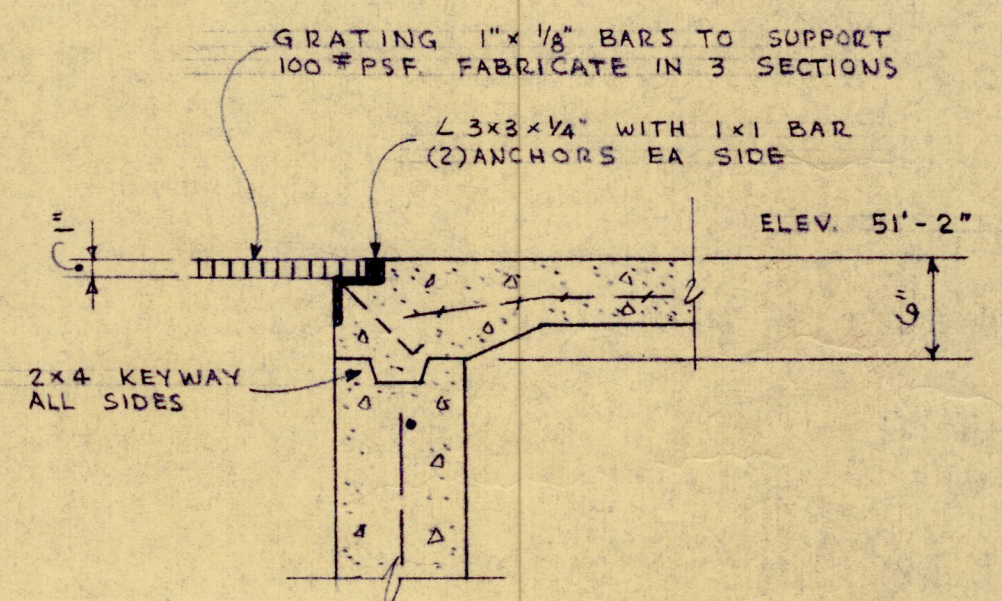


SECTION 3 SECTION 4

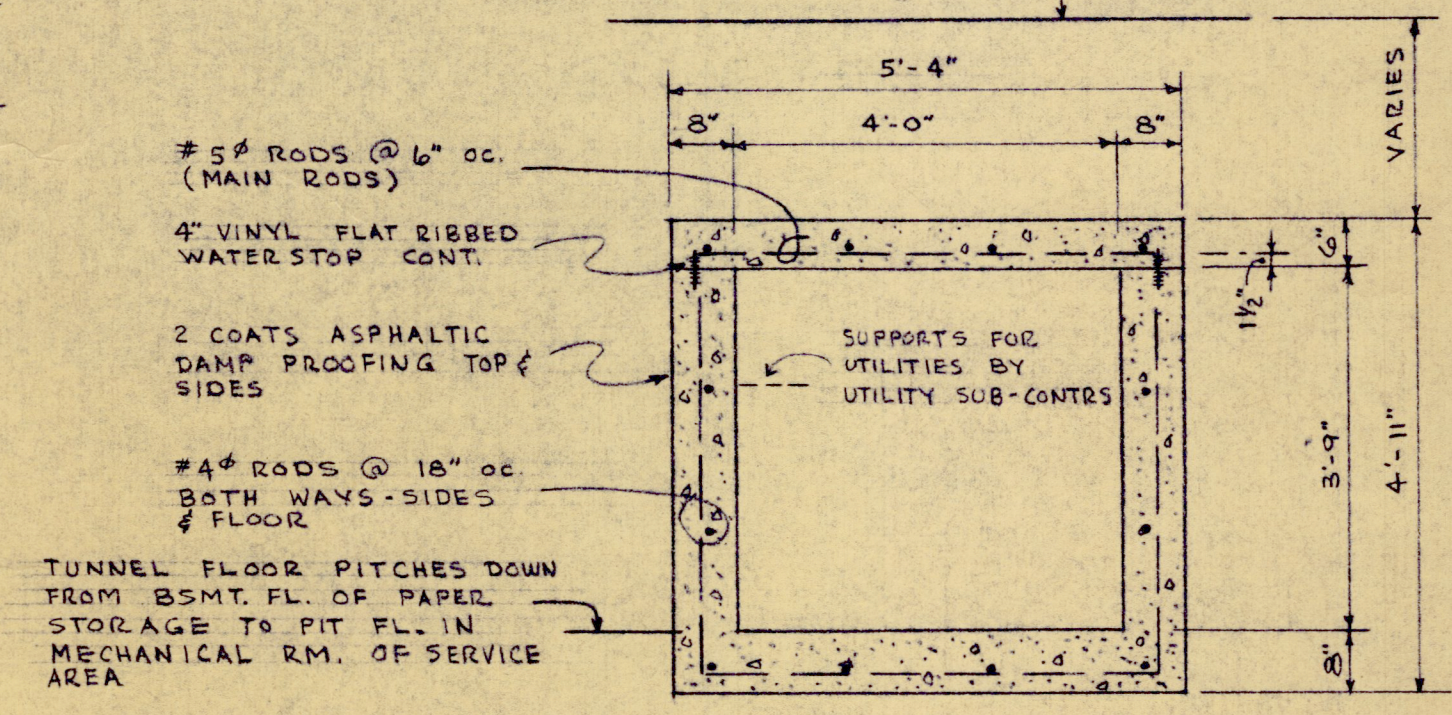
FOUNDATION DETAILS
SCALE 1" = 1'-0"



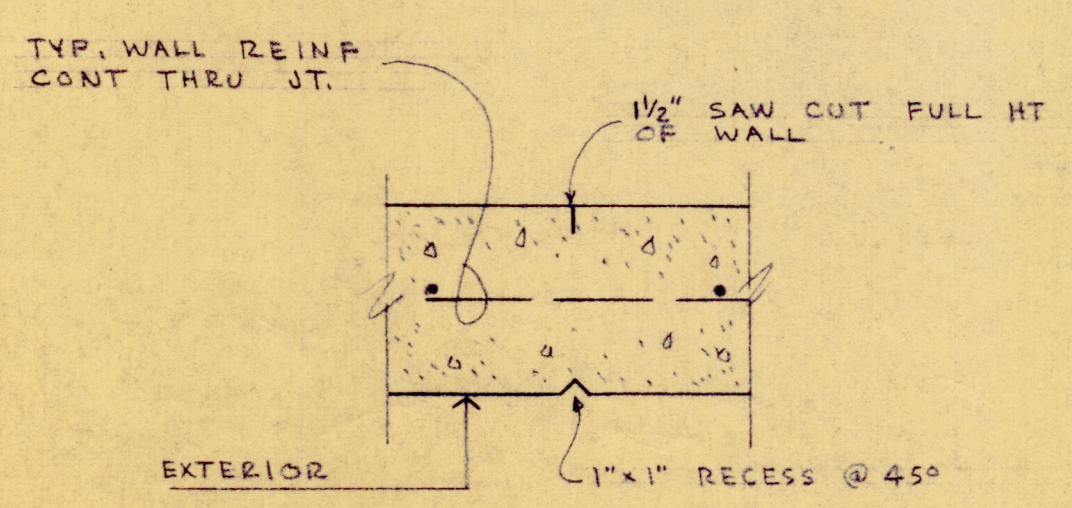
FOUNDATION PLAN
SCALE 1/8" = 1'-0"



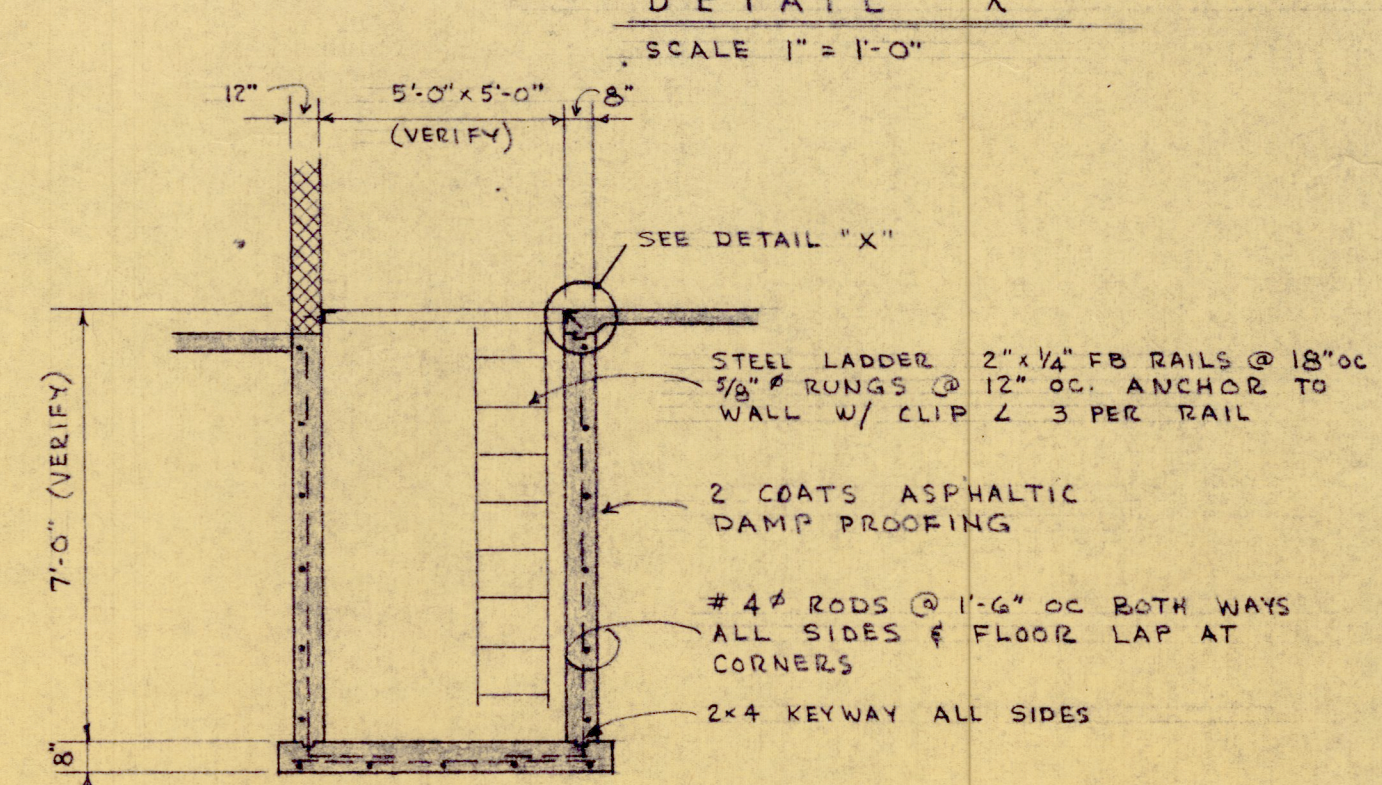
DETAIL "X"
SCALE 1" = 1'-0"



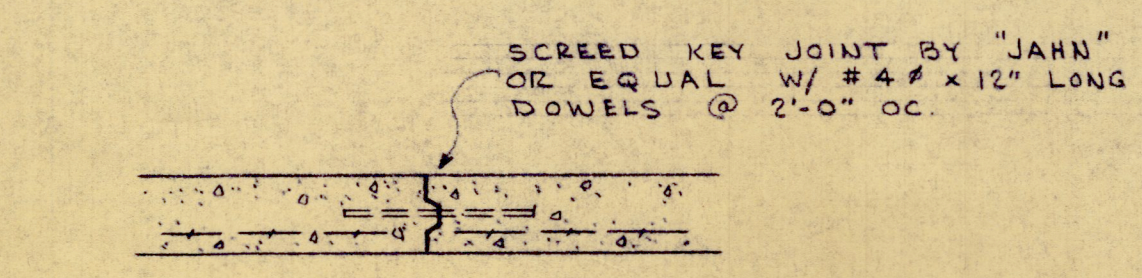
UTILITY TUNNEL DETAIL
SCALE 1/4" = 1'-0"



FOUNDATION WALL CONTROL JOINT
SCALE 1" = 1'-0"



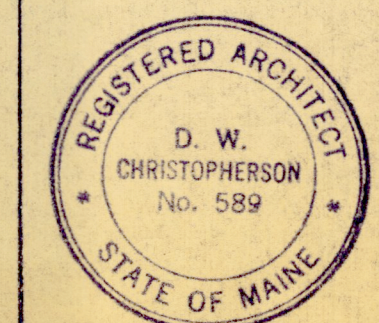
SECTION THRU MECHANICAL PIT
SCALE 1/4" = 1'-0"



TYPICAL SLAB CONTROL JOINT
SCALE 1" = 1'-0"

NOTES

1. BOTTOM OF ALL FOOTINGS TO BE 18" MIN INTO VIRGIN SOIL
2. CO-ORDINATE FOUNDATION BOND-OUTS, PITS ETC. WITH MECHANICAL SUB-CONTR.
3. FOR FOUNDATION WALL REINFORCING SEE WALL SECTIONS ON DWG. # 6



FOUNDATION PLAN	
PARKING-SERVICE FACILITY	
GUY GANNETT PUBLISHING CO. PEARL ST. PORTLAND, MAINE	
D.W. CHRISTOPHERSON ARCHITECT PORTLAND, MAINE	2
SCALE	DATE APRIL 5, 1973 C-7301