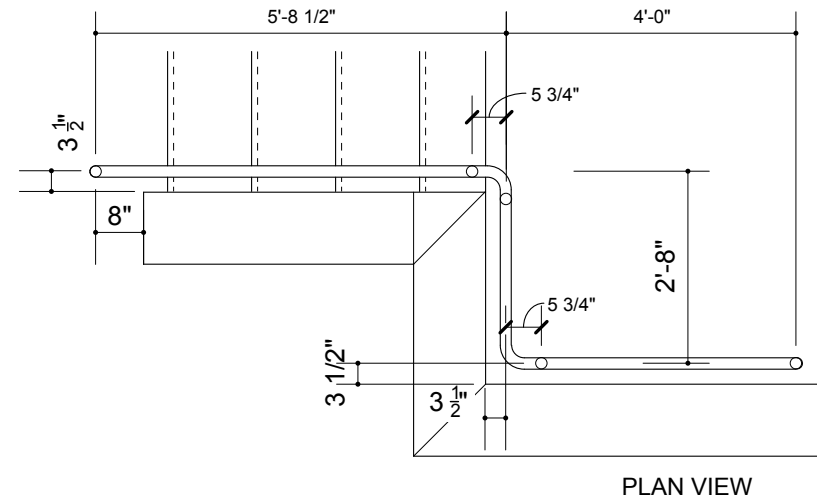
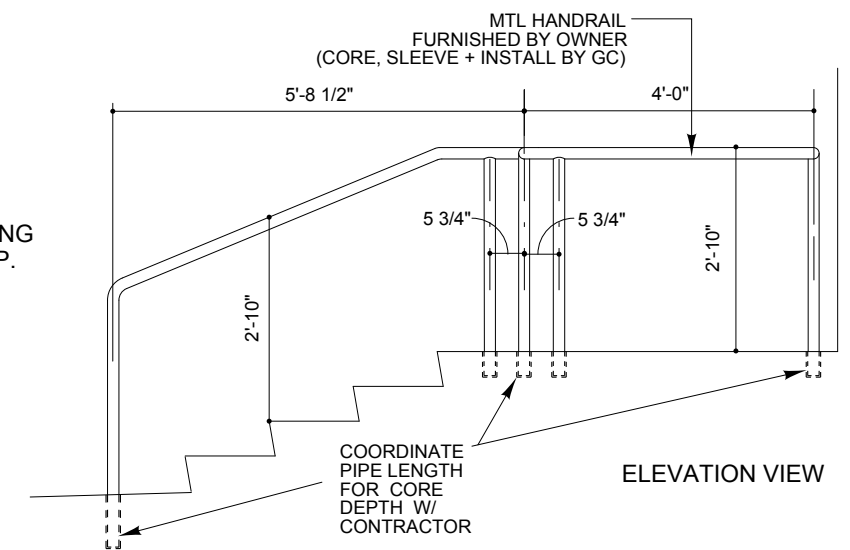


Section B
3"=1'-0"

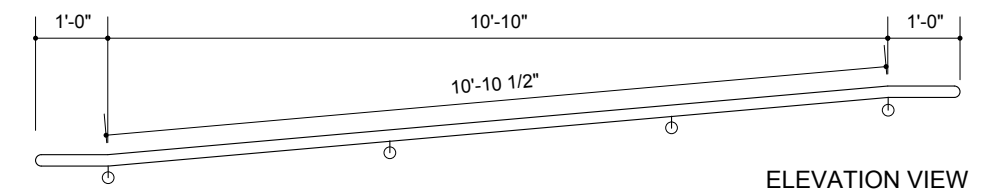


PLAN VIEW



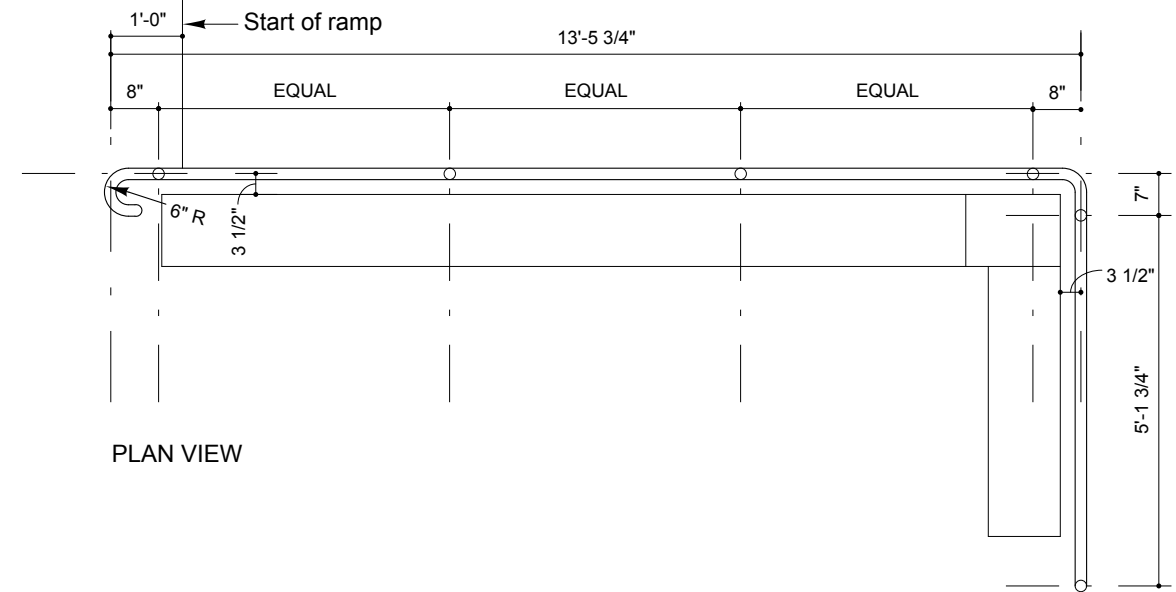
ELEVATION VIEW

STAIR SIDE RAIL (Provided by Owner- installed by Contractor)
3/8" = 1'-0"

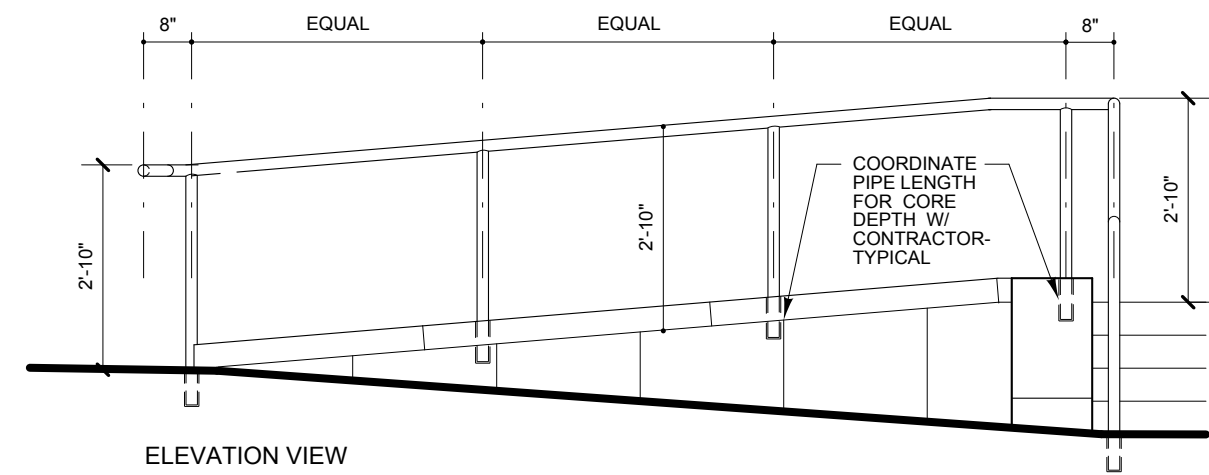


ELEVATION VIEW

WALL MOUNTED RAIL (Provided by Owner- installed by Contractor)
3/8" = 1'-0"



PLAN VIEW



ELEVATION VIEW

STAIR & RAMP SIDE RAIL (Provided by Owner- installed by Contractor)
3/8" = 1'-0"



Portland City Hall
Myrtle Street Entrance Renovations
Portland, Maine

Entry Details

WINTON SCOTT ARCHITECTS
5 Milk Street
Portland, Maine 04101

Scale: As Shown