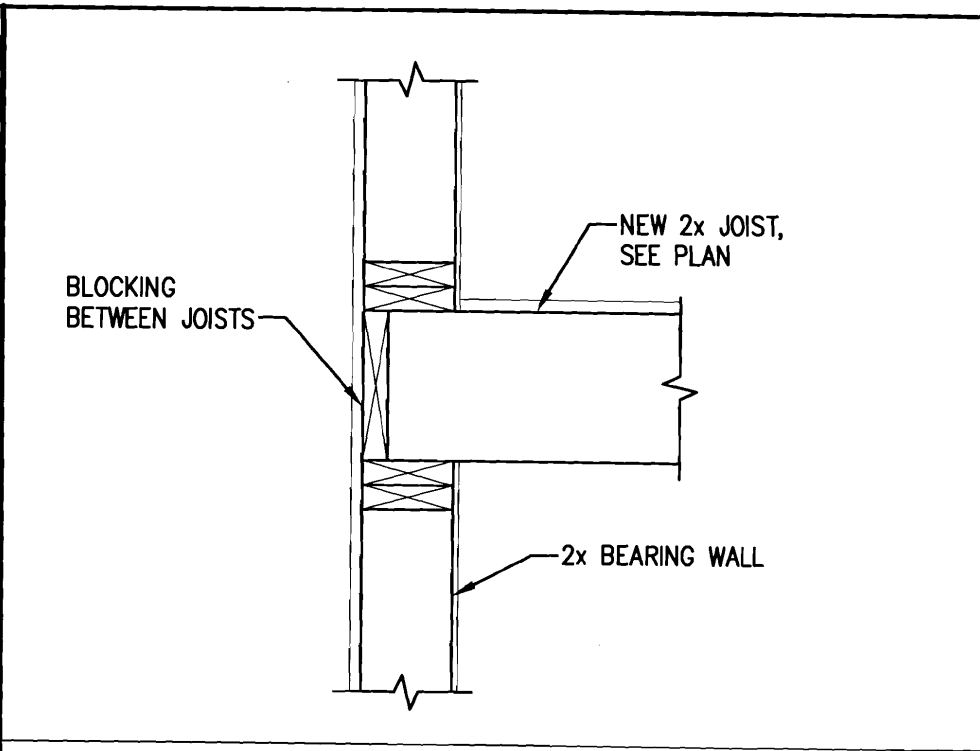
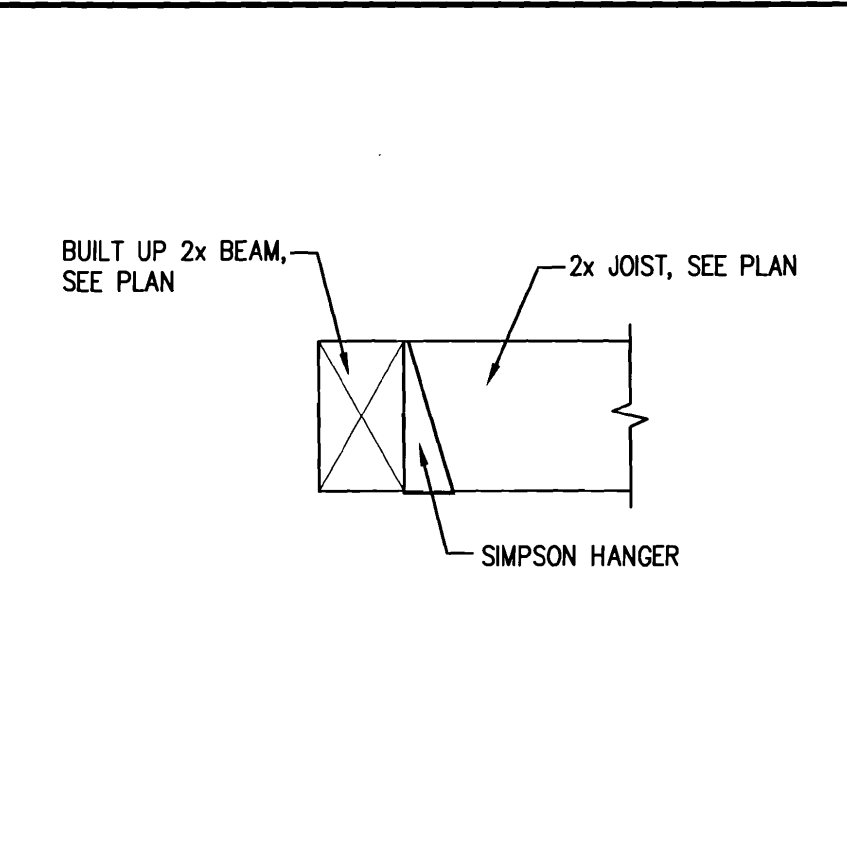


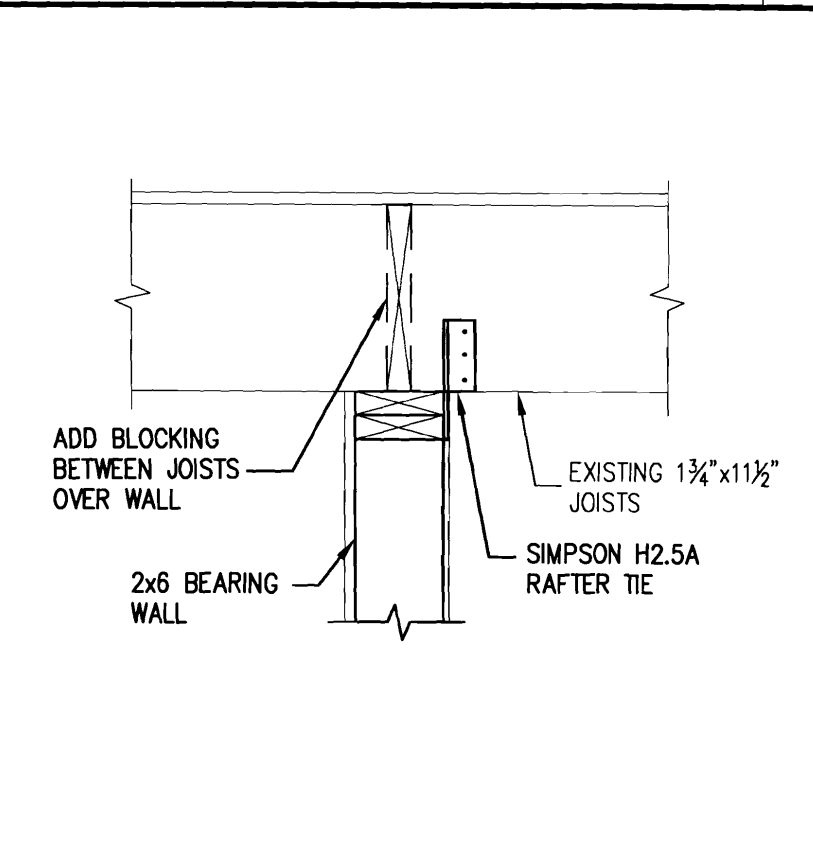
SECTION SCALE: 1"=1'-0" 1



SECTION SCALE: 1"=1'-0" 2



SECTION SCALE: 1"=1'-0" 3



SECTION SCALE: 1"=1'-0" 4

SECTION SCALE: 1"=1'-0" -

REVISIONS	No.	DATE	ISSUE
	0	11-25-08	FOR CONSTRUCTION

SHEET TITLE:
DETAILS

DESIGNED: TD
 DRAWN: TD
 DATE: 10-31-08
 CADD FILE: 8097-S1.DWG
 PROJECT No: 8097