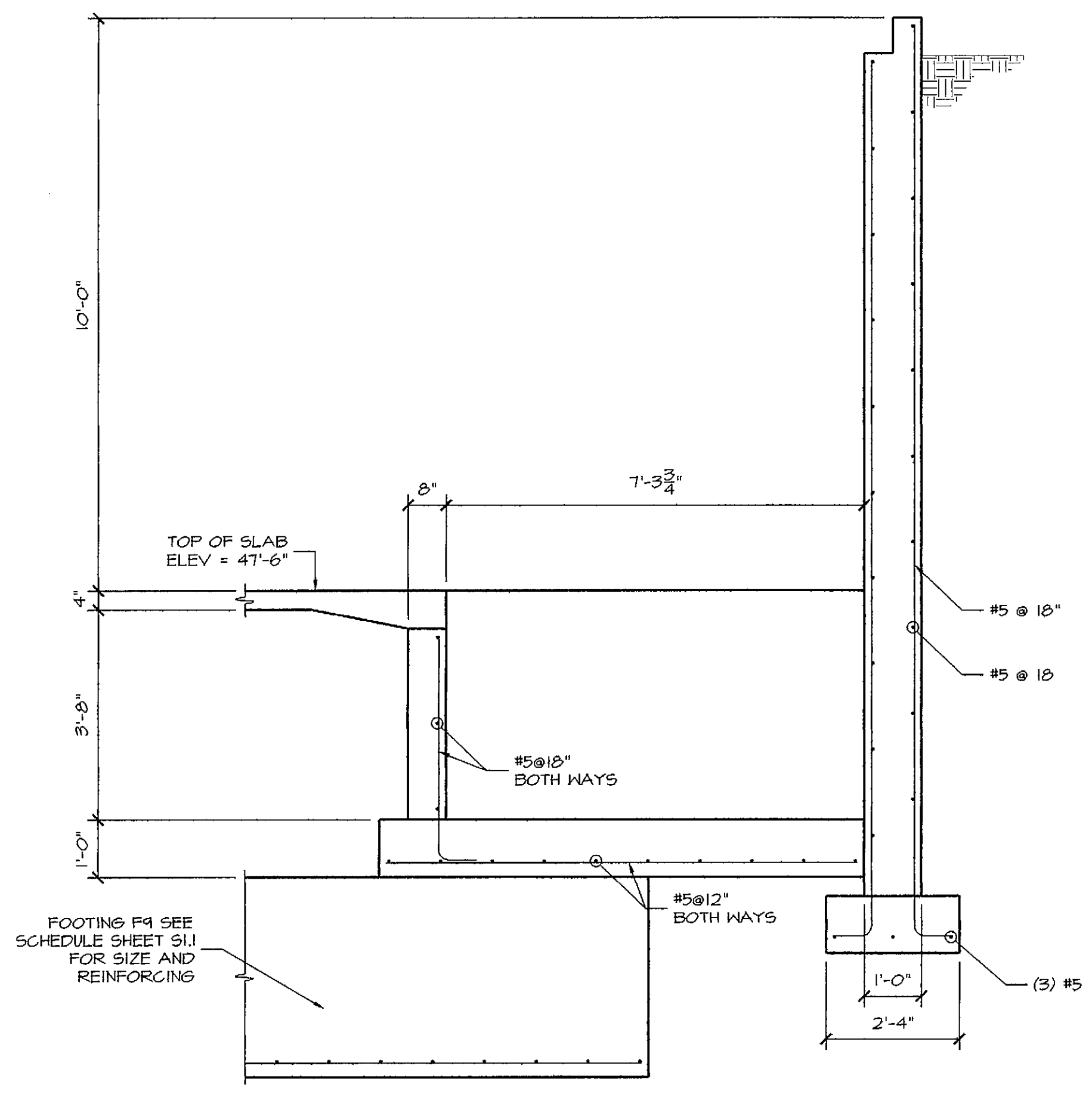
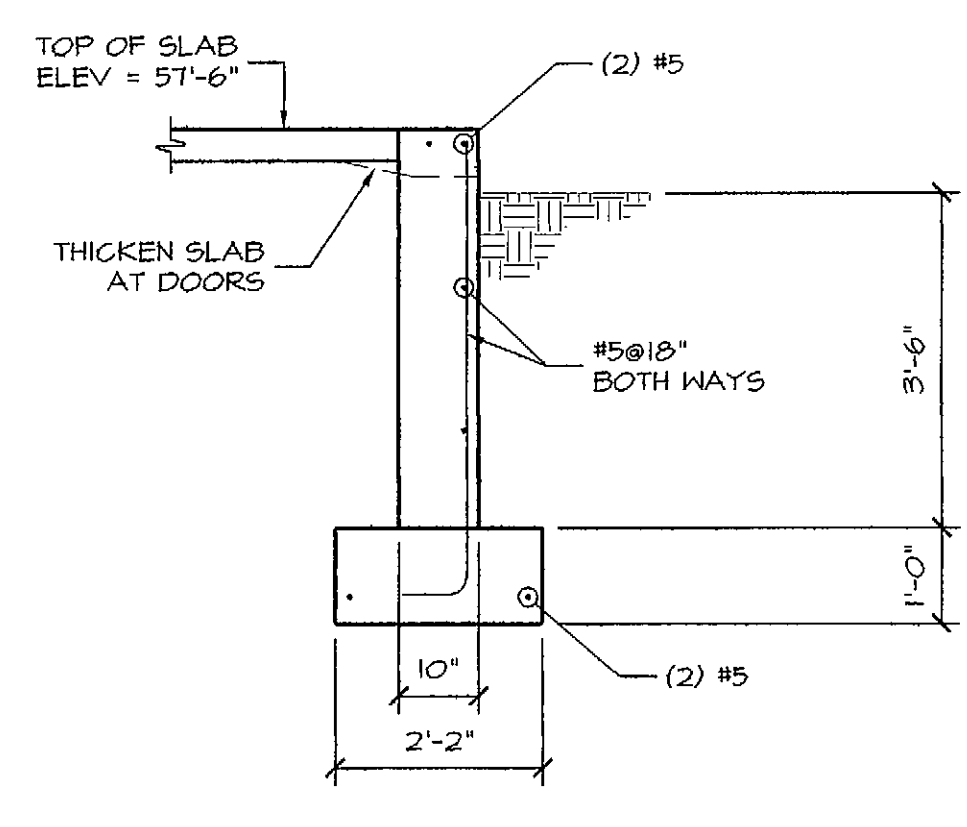


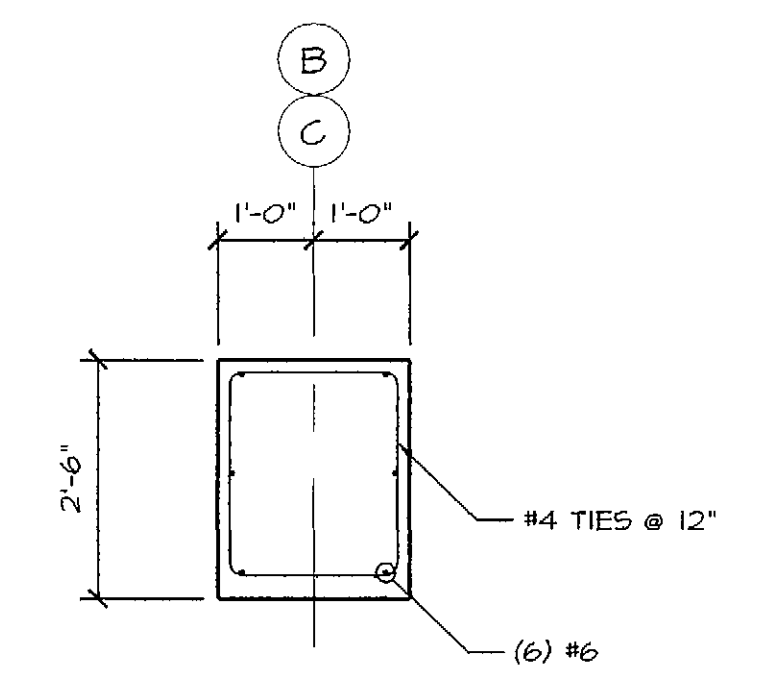
© 2006 TFH ARCHITECTS



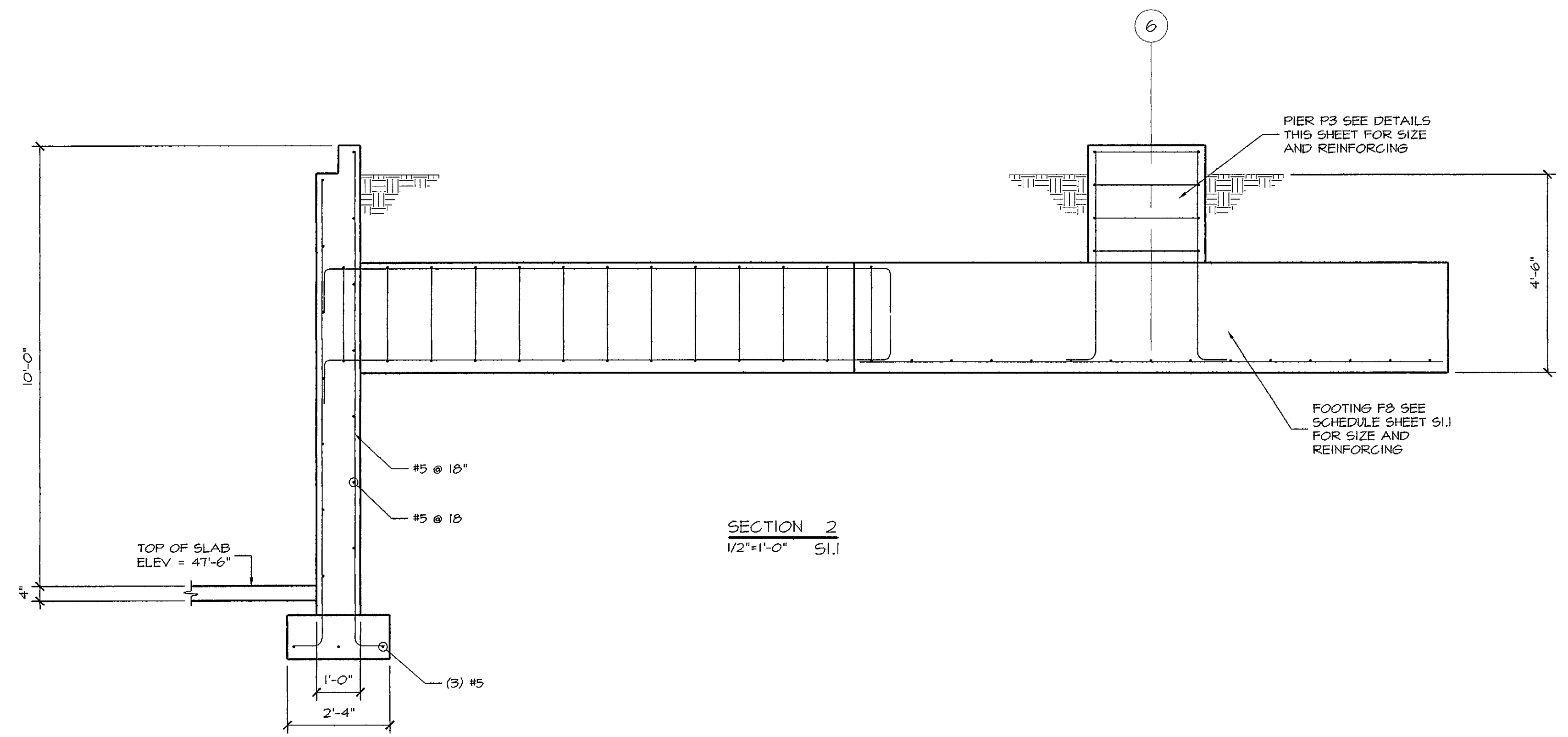
SECTION 1  
1/2"=1'-0" S1.1



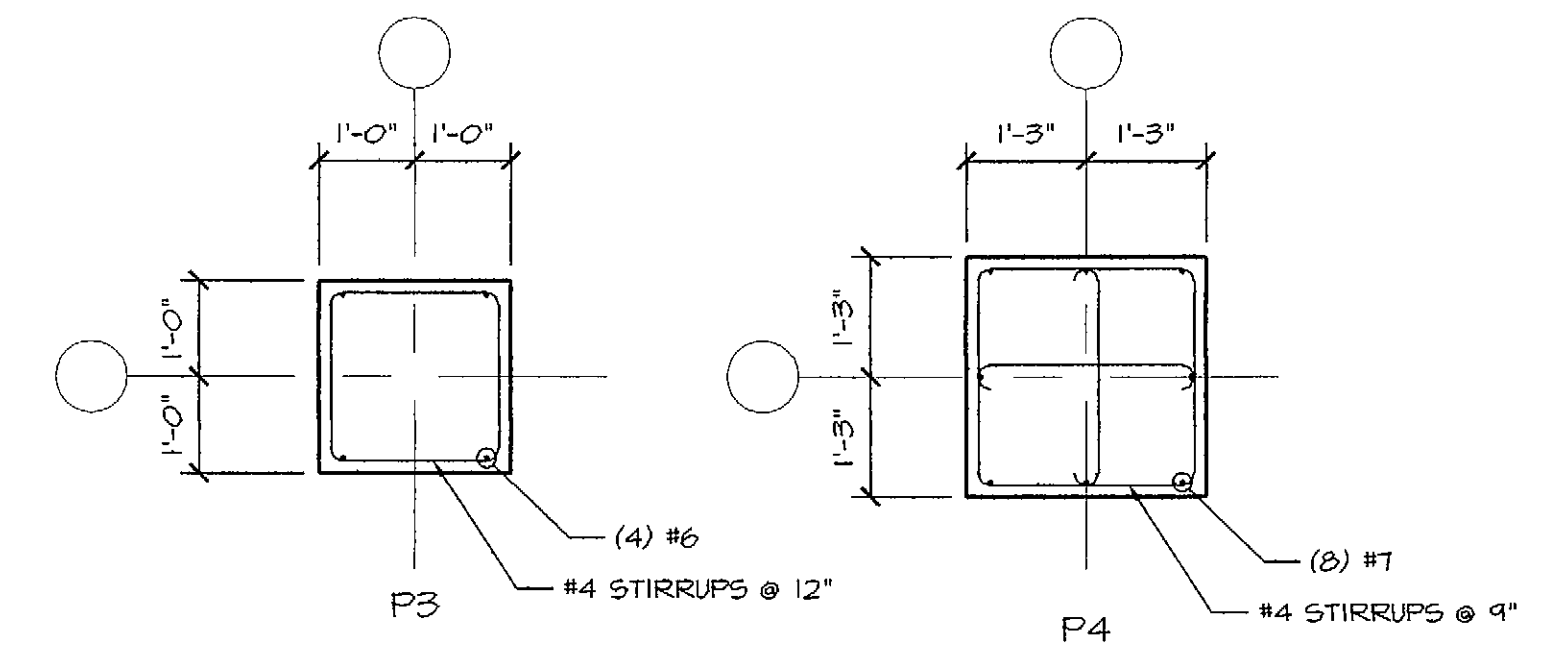
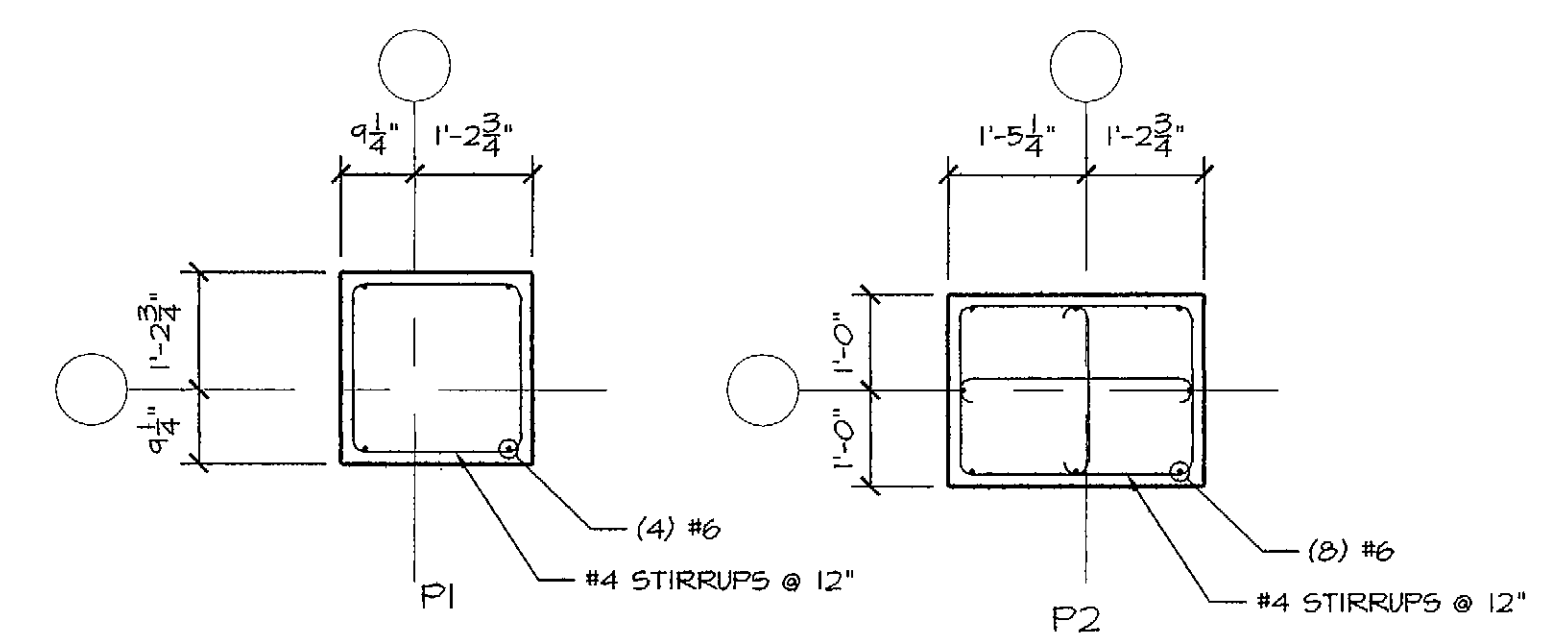
SECTION 3  
1/2"=1'-0" S1.1



SECTION 4  
1/2"=1'-0" S1.1



SECTION 2  
1/2"=1'-0" S1.1



PIER DETAILS  
1/2"=1'-0"

TFH ARCHITECTS  
100 COMMERCIAL STREET  
PORTLAND MAINE 04101  
TELEPHONE 207 775 6141  
ARCHITECTURE PLANNING

CONSULTANTS:

REVISIONS:  
A 100% CONST. DOC.

DATE: 02/24/06

PROJECT No. 0422

DRAWN BY: DJT

CHECKED BY: DJT

SCALE: AS NOTED

SHEET TITLE:  
FOUNDATION SECTIONS & DETAILS

S3.0