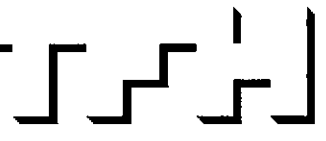


© 2006 TFH ARCHITECTS

CHESTNUT STREET LOFTS

URBAN REVITALIZATION PROJECT
BY CHESTNUT STREET LLC.
PORTLAND, MAINE



TFH ARCHITECTS
100 COMMERCIAL STREET
PORTLAND MAINE 04101
TELEPHONE 207 775 6141
ARCHITECTURE PLANNING

CONSULTANTS:

Civil
Land Use Consultants
686 Riverside Street
Portland, ME 04103
207-676-3113

STRUCTURAL
Structural Design Consulting
22 Colburn Drive
Old Orchard Beach, ME 04054
207-334-8088

MECHANICAL
Whitney Engineering
10 Danforth Street
Portland, ME 04101
207-474-7468

ELECTRICAL
Bennett Engineering
7 Bennett Drive
Freeport, ME 04032
207-856-6476

REVISIONS:

100% CONSTRUCTION DOCUMENTS
02/24/06

DATE:

PROJECT No. 0422

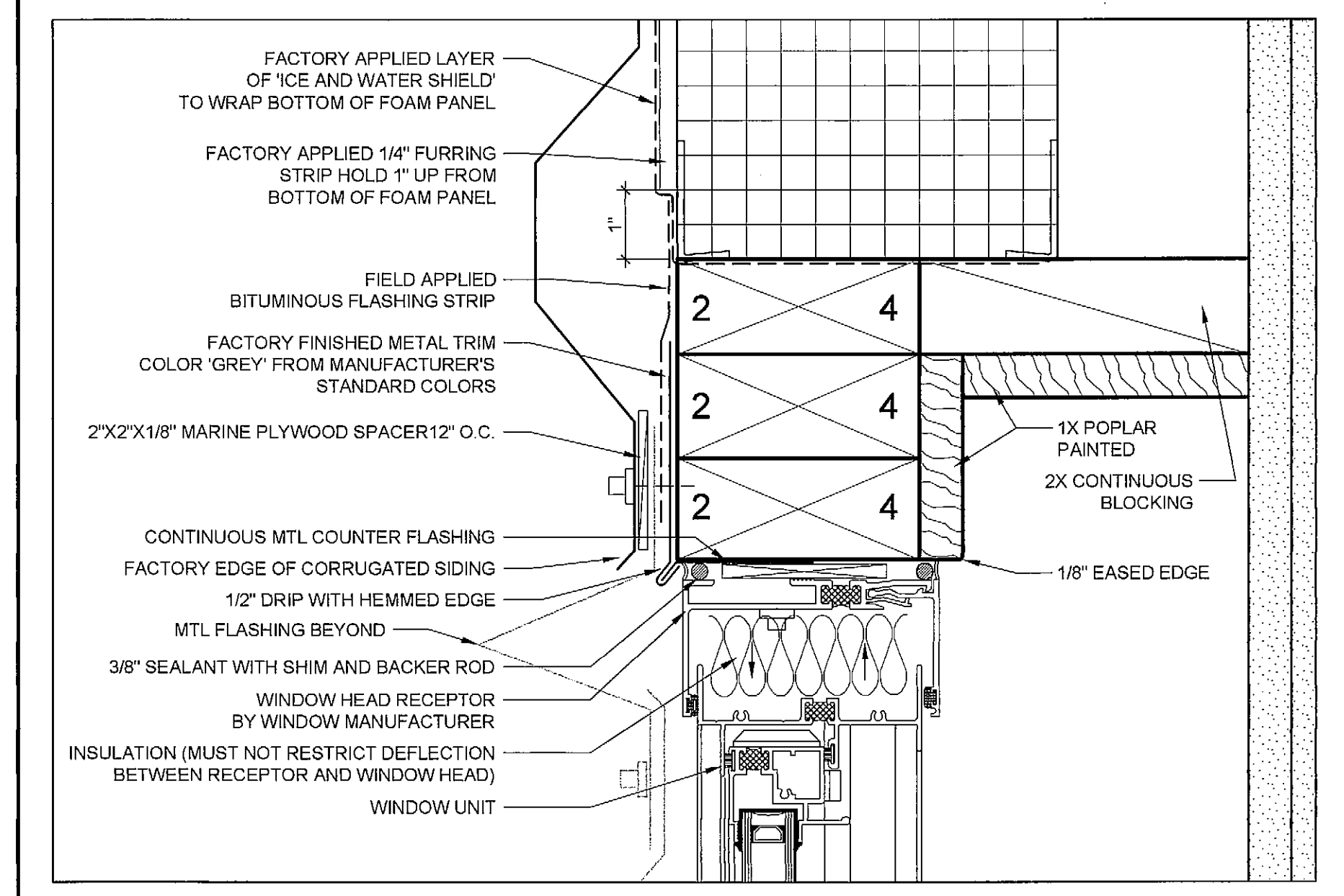
DRAWN BY: RJS

CHECKED BY: TST

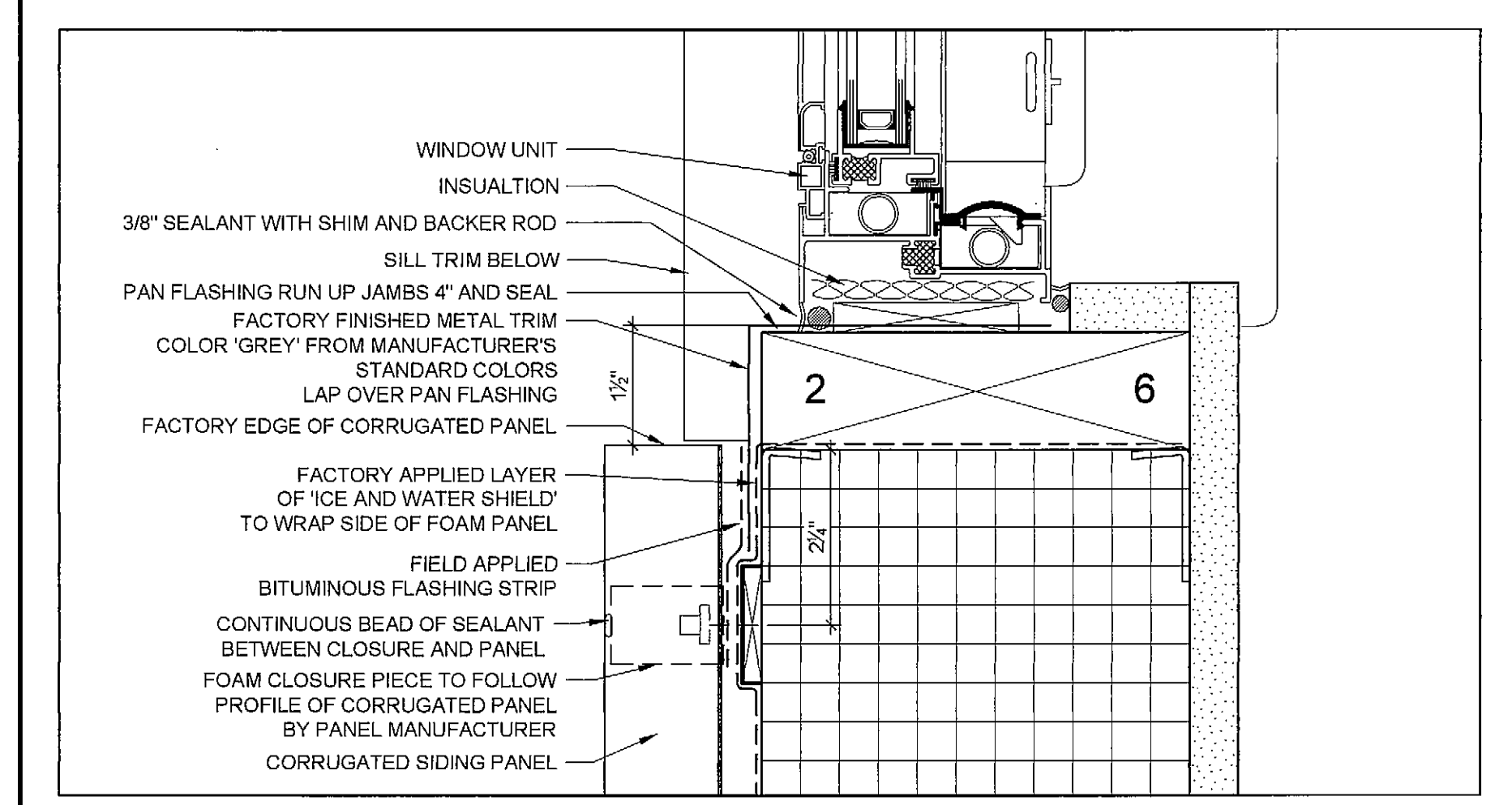
SCALE: AS NOTED

SHEET TITLE:
WINDOW DETAILS

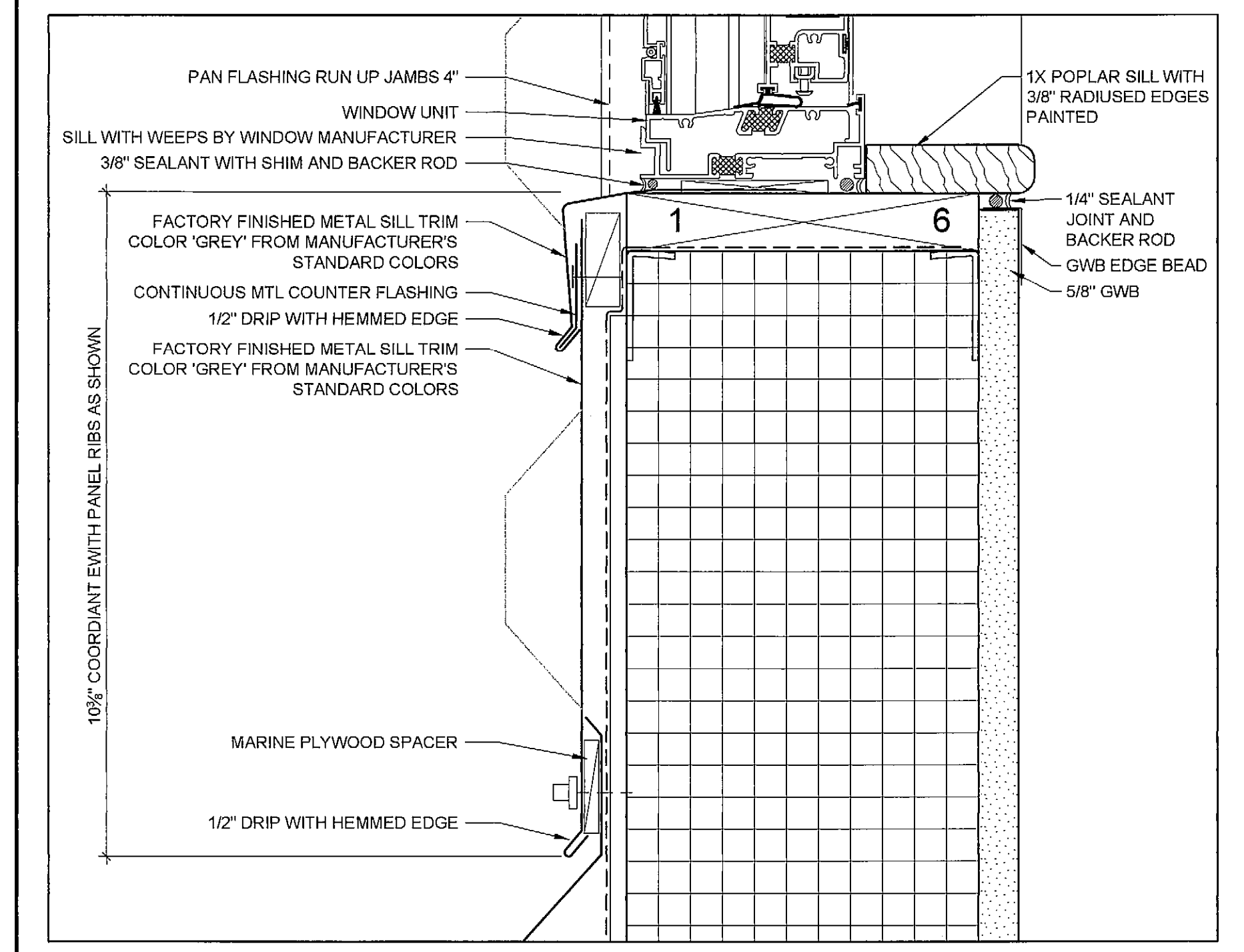
A7.2



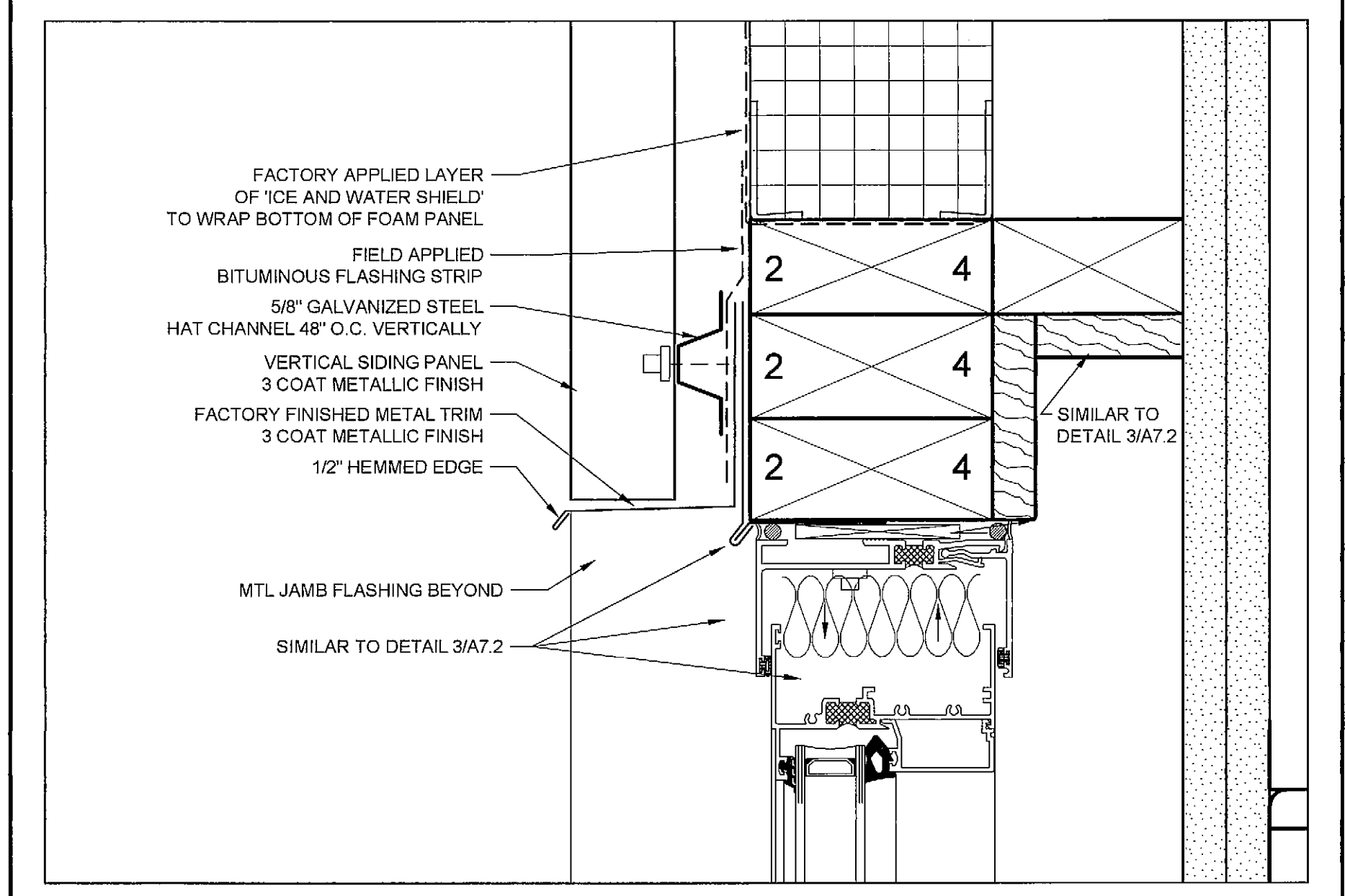
3 WINDOW HEAD SECTION DETAIL - DOUBLE HUNG AT HORIZONTAL SIDING
A7.2 6" = 1'-0"



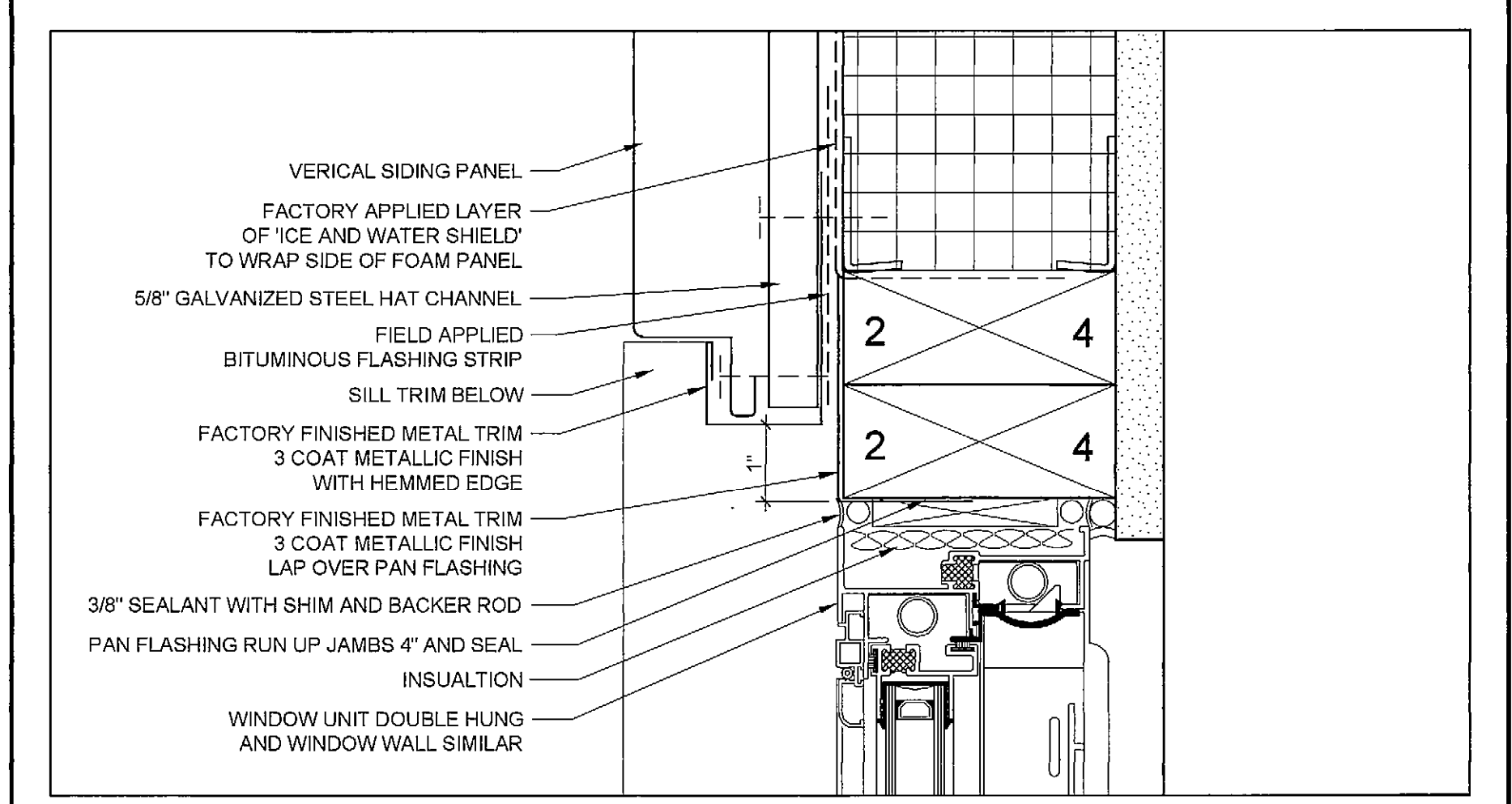
2 WINDOW JAMB PLAN DETAIL - DOUBLE HUNG AT HORIZONTAL SIDING
A7.2 6" = 1'-0"



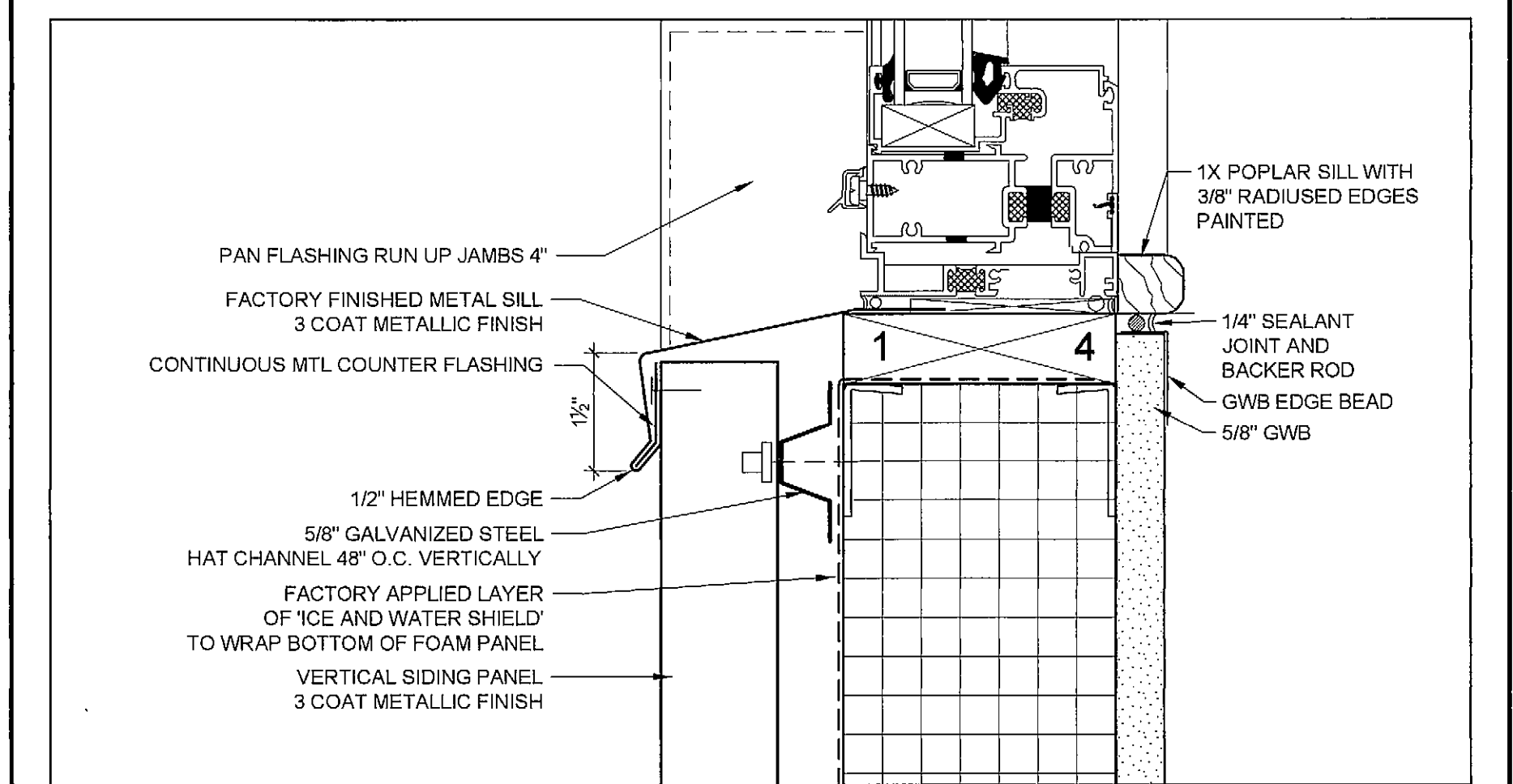
1 WINDOW SILL SECTION DETAIL - DOUBLE HUNG AT HORIZONTAL SIDING
A7.2 6" = 1'-0"



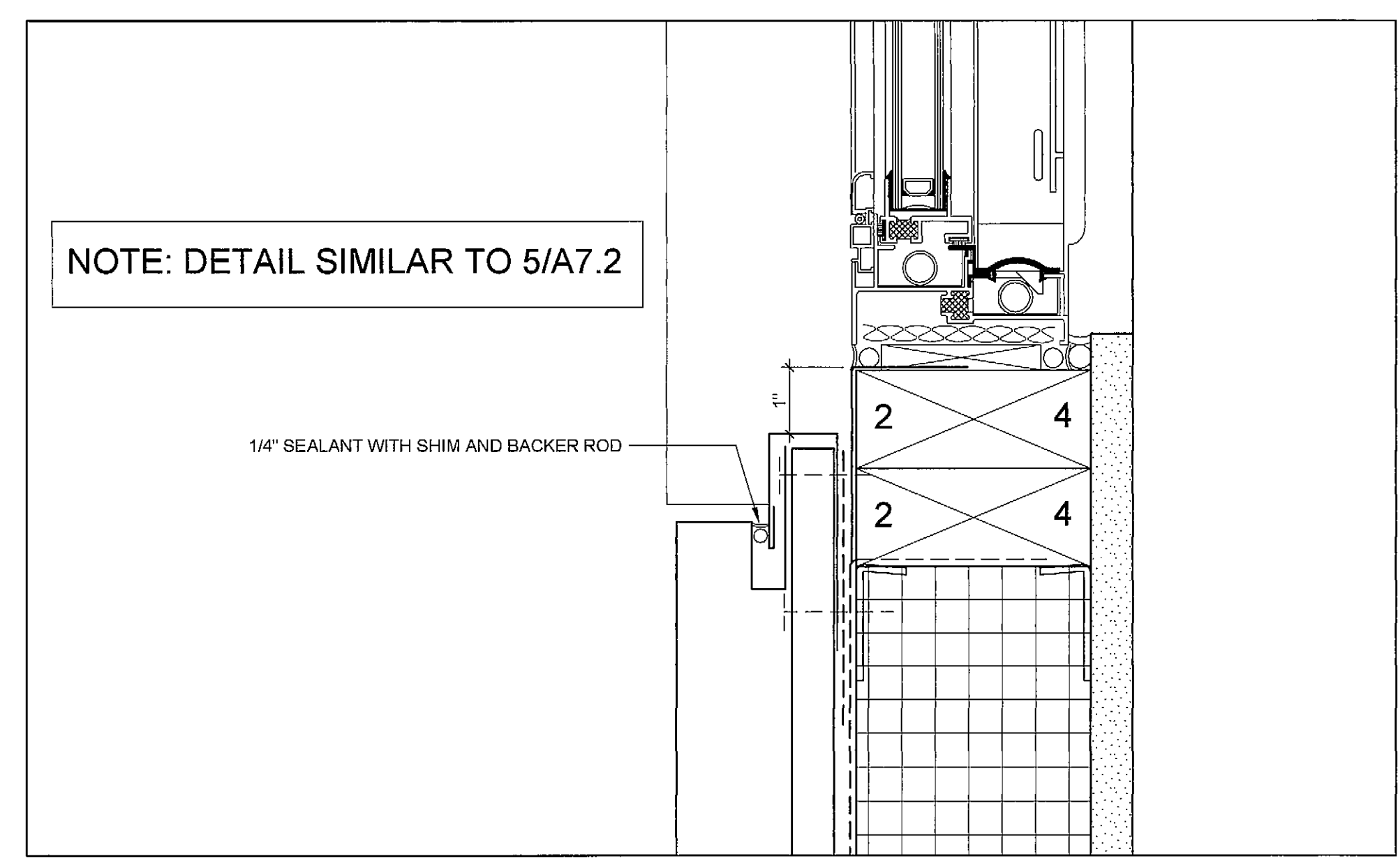
6 WINDOW HEAD SECTION DETAIL - WINDOW WALL AT VERTICAL SIDING
A7.2 6" = 1'-0"



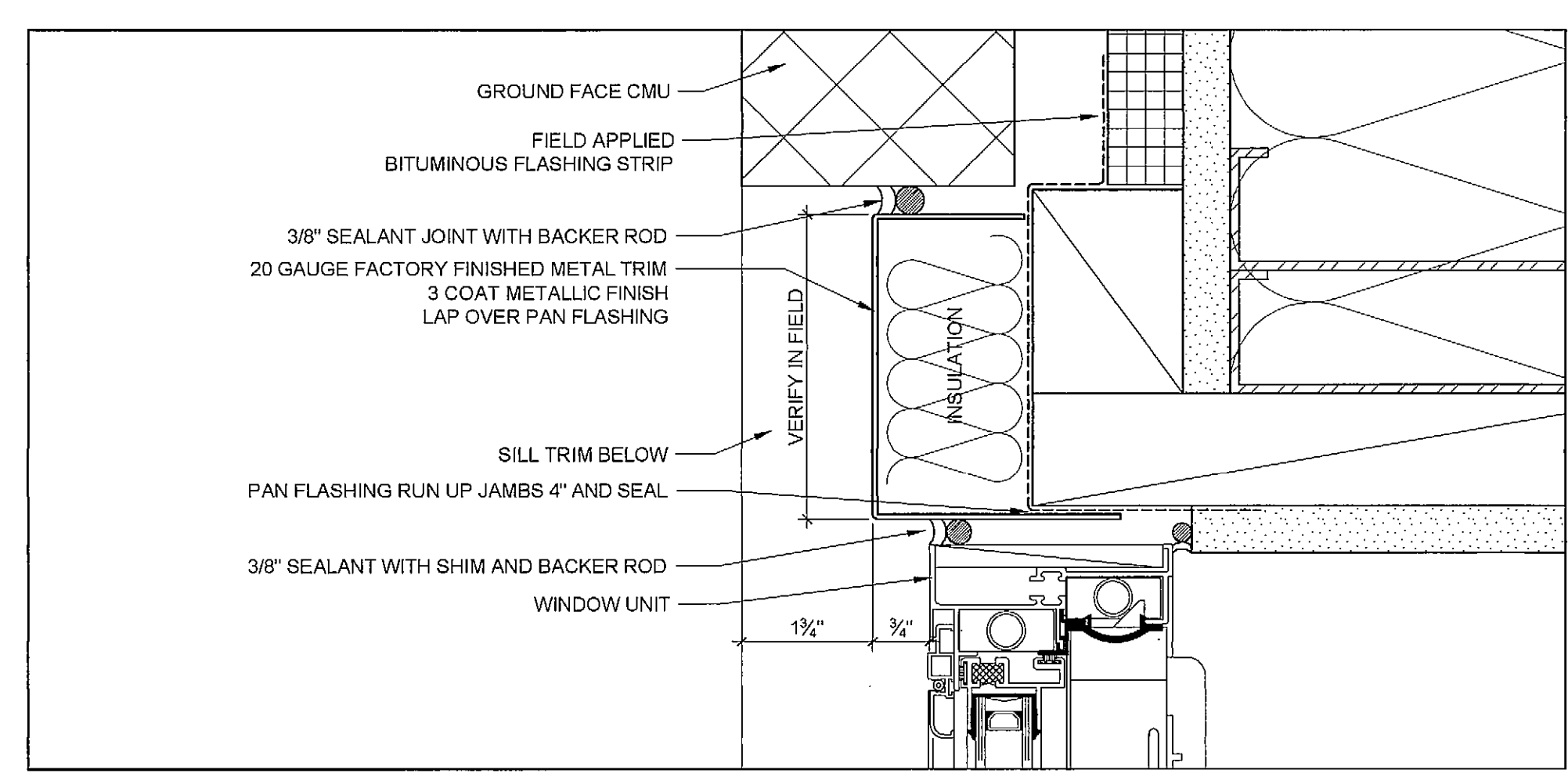
5 WINDOW JAMB PLAN DETAIL - WINDOW WALL AT VERTICAL SIDING
A7.2 6" = 1'-0"



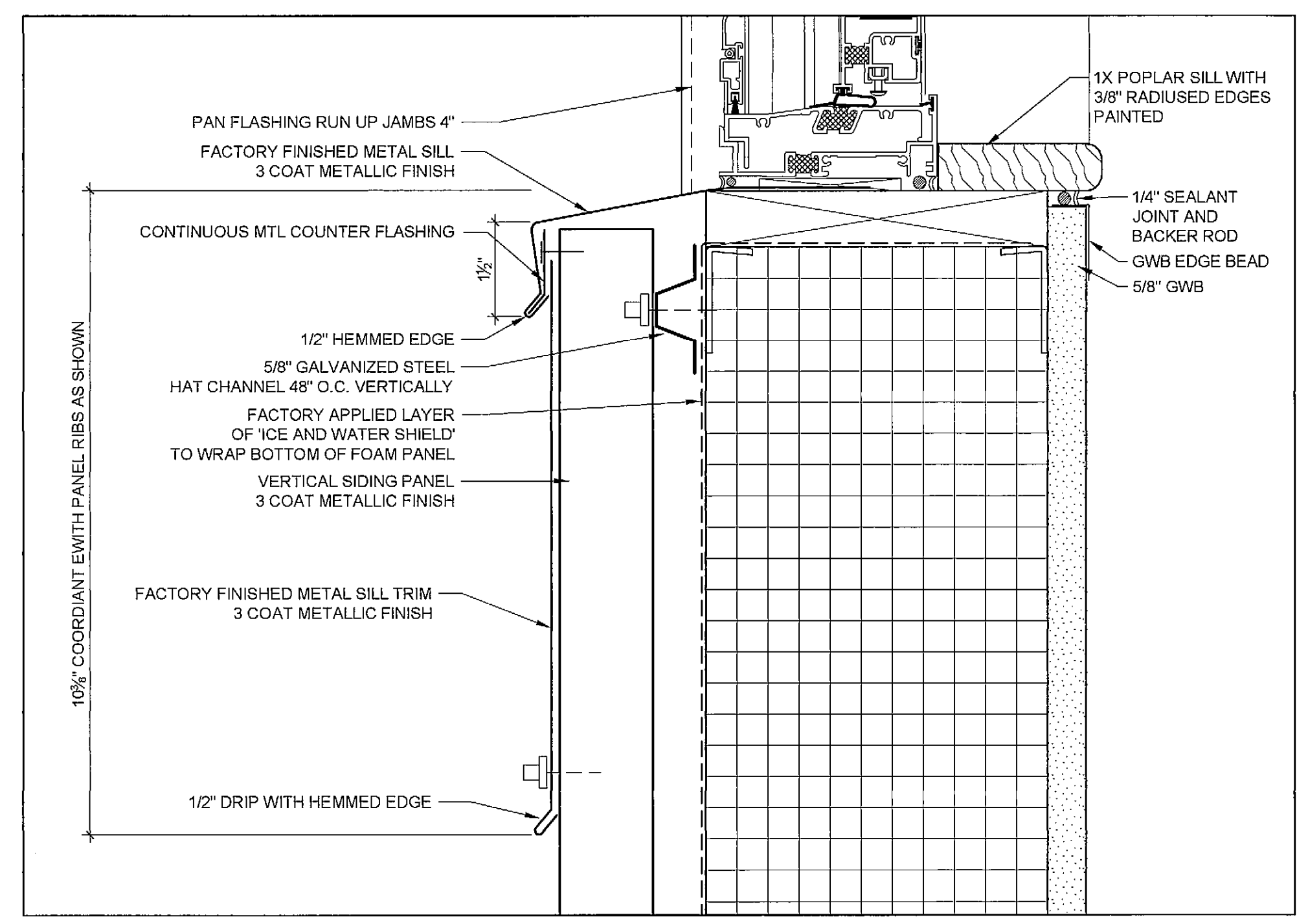
4 WINDOW SILL SECTION DETAIL - WINDOW WALL AT VERTICAL SIDING
A7.2 6" = 1'-0"



9 WINDOW JAMB SECTION DETAIL - WINDOW WALL AT VERTICAL SIDING
A7.2 6" = 1'-0"



8 WINDOW JAMB PLAN DETAIL - DOUBLE HUNG AT MASONRY
A7.2 6" = 1'-0"



7 WINDOW SILL SECTION DETAIL - DOUBLE HUNG AT VERTICAL SIDING
A7.2 6" = 1'-0"

NOTE: DETAIL SIMILAR TO 5/A7.2

T:\00_TFH\Projects\022_Chestnut Street\Construction Documents\07_Schedule\0422_Window Details.dwg, 2/24/2006 11:24:39 AM, HP DesignJet 750C Plus (E..._00.ppt