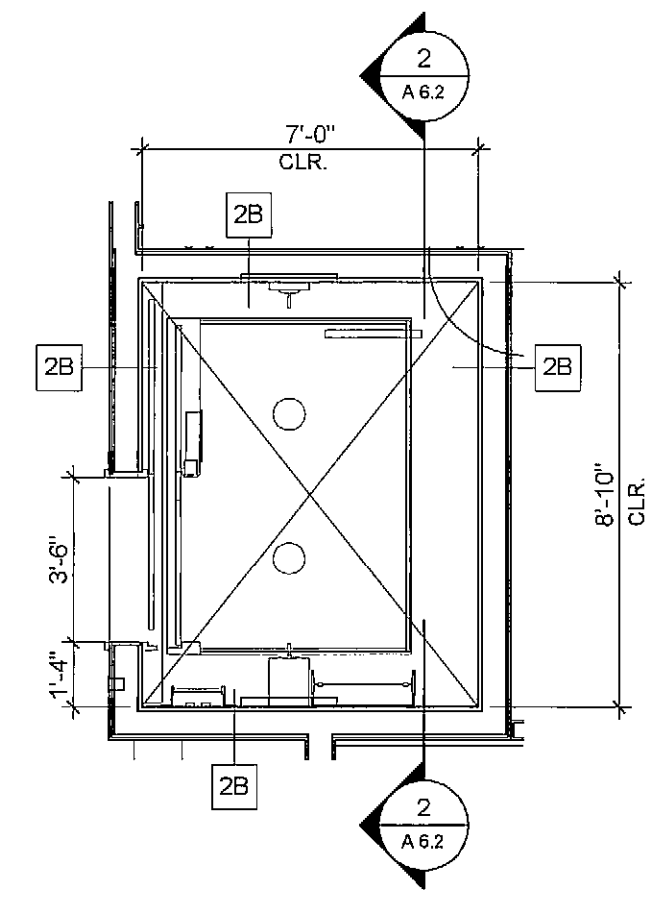
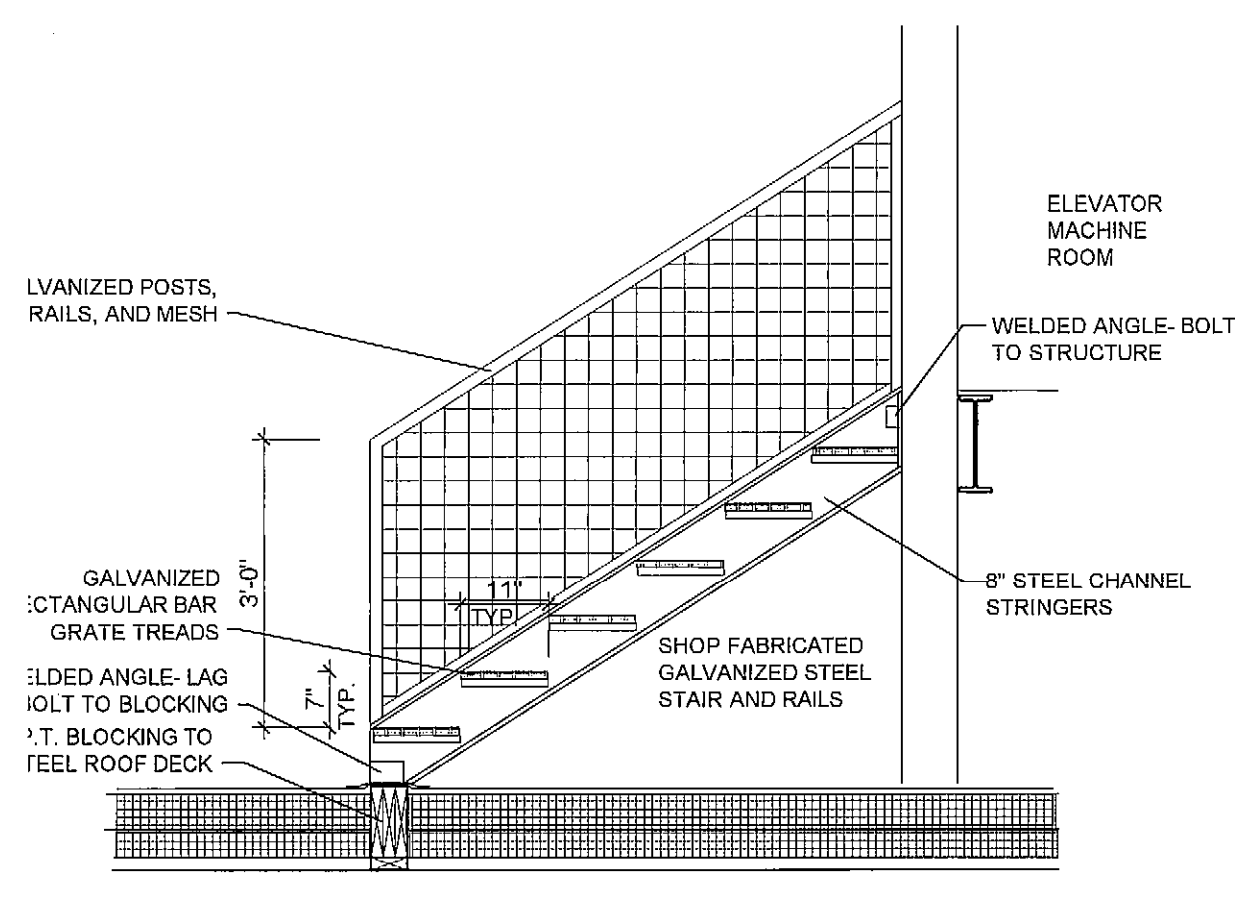


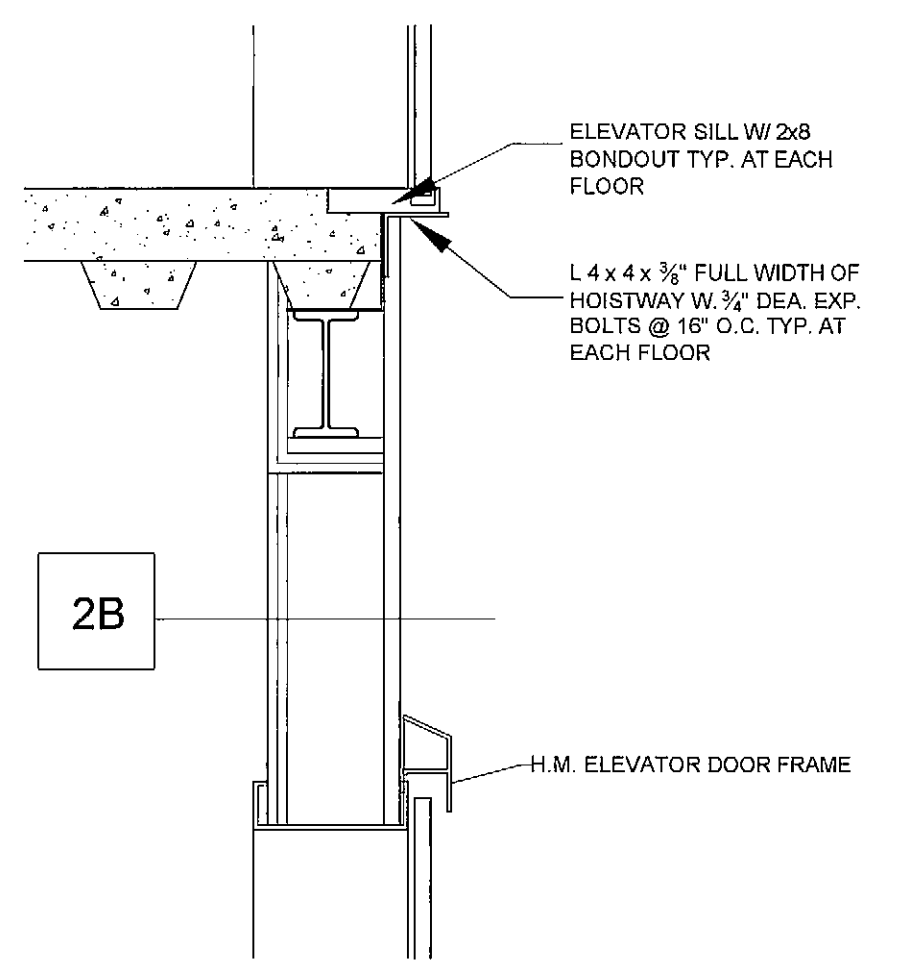
4 MACHINE ROOM PLAN
A6.2 1/4" = 1'-0"



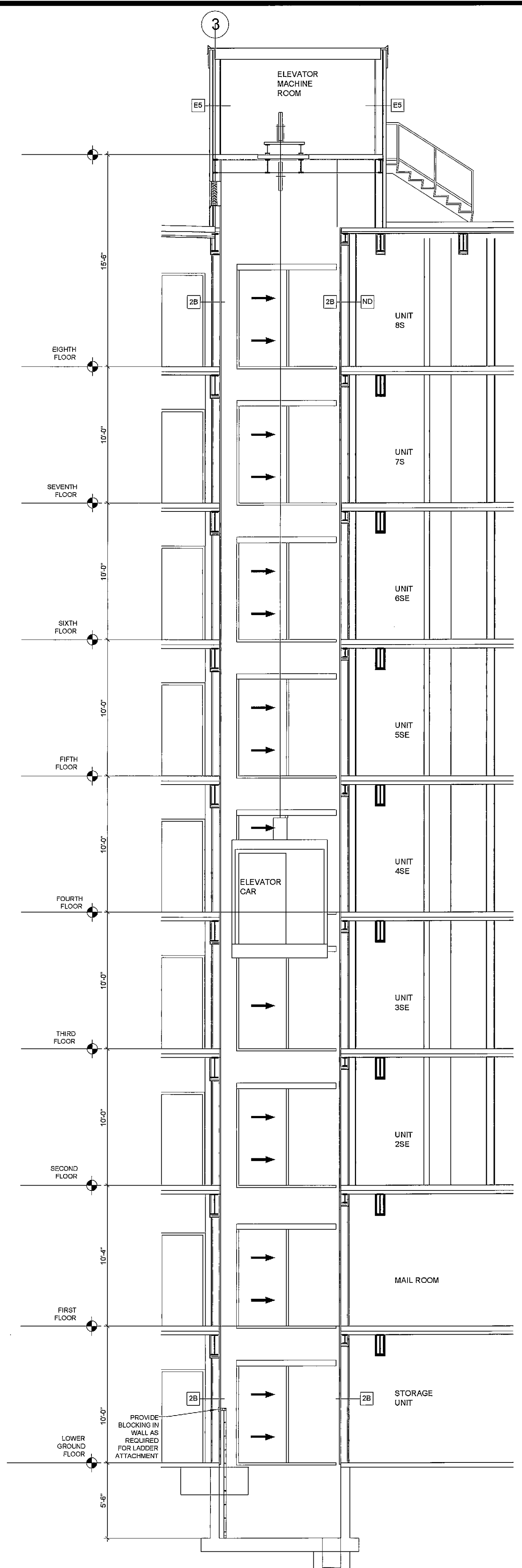
3 ELEVATOR PLAN, TYP. 1ST-8TH FLOOR
A6.2 1/4" = 1'-0"



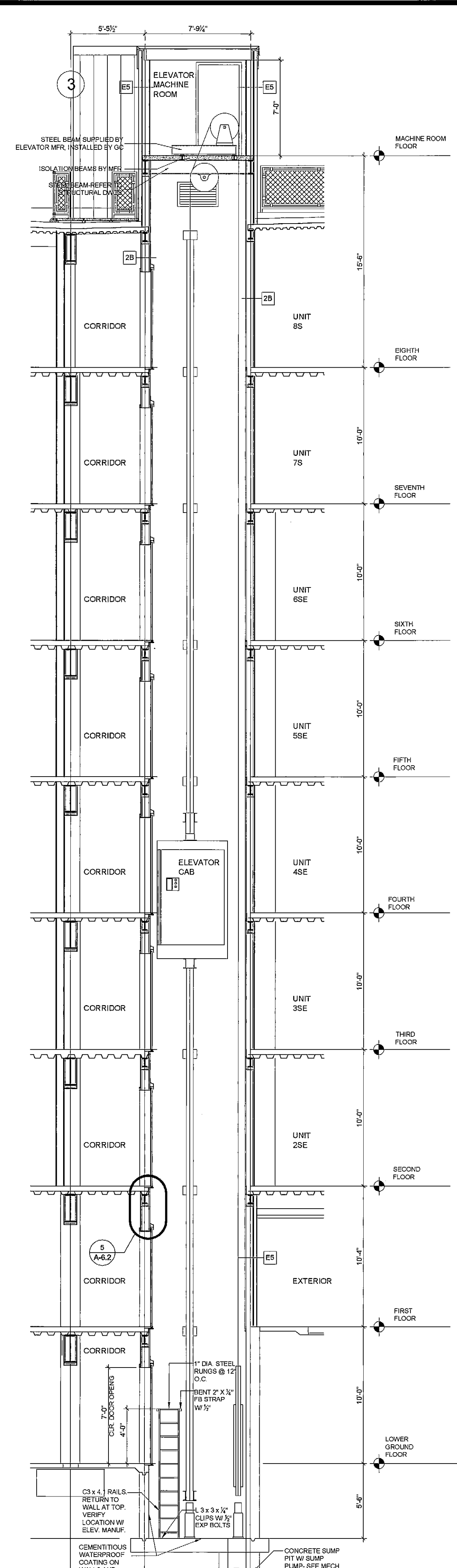
6 ROOF STAIR DETAIL
A6.2 1/2" = 1'-0"



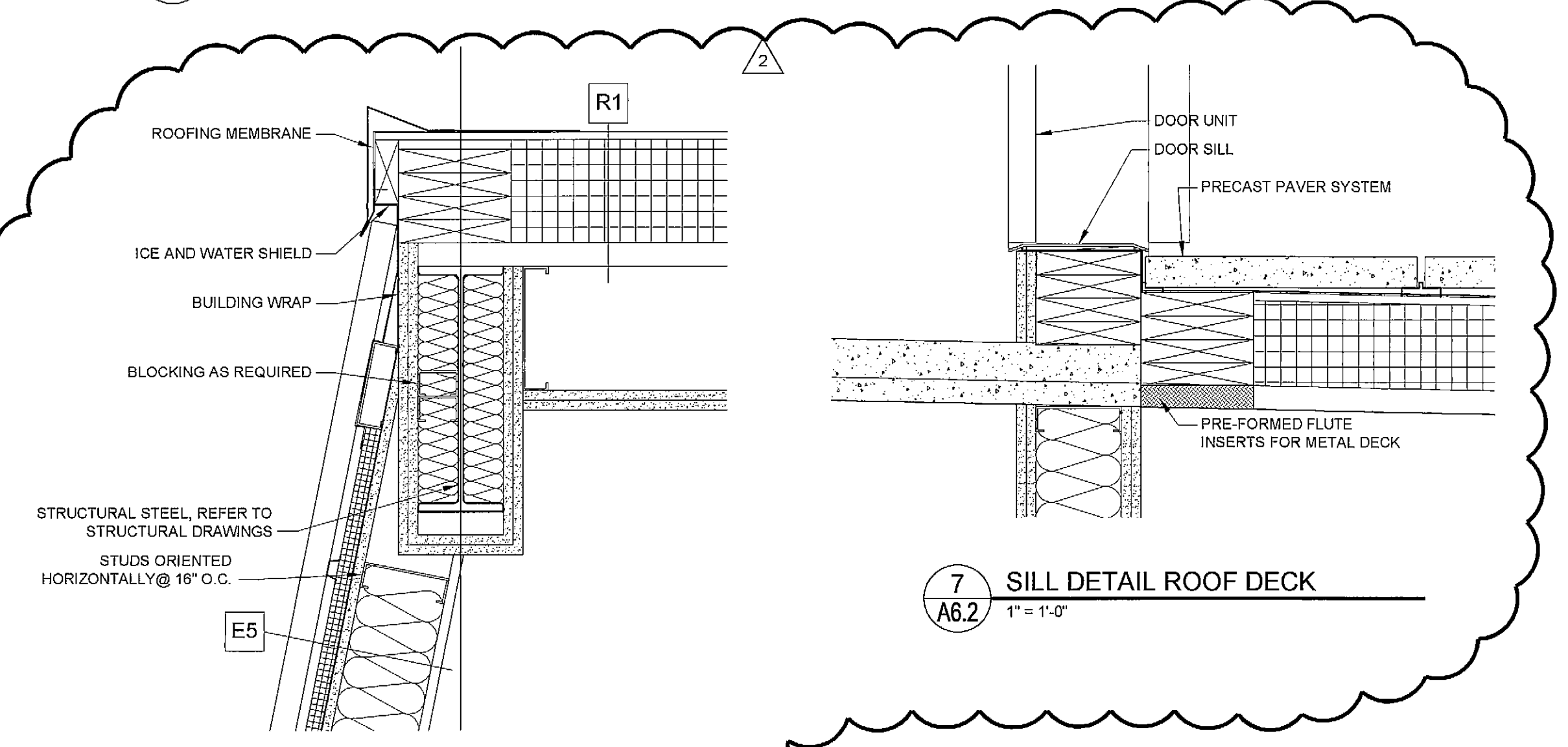
5 SECTION DETAIL
A6.2 1" = 1'-0"



2 SECTION
A6.2 3/16" = 1'-0"



1 SECTION
A6.2 3/16" = 1'-0"



7 SILL DETAIL ROOF DECK
A6.2 1" = 1'-0"



8 CORNICE DETAIL AT STAIR #1
A6.2 1-1/2" = 1'-0"