

CONSULTANTS:

- CIVIL:** Land Use Consultants
955 Riverside Street
Portland, ME 04103
207-478-3313
- STRUCTURAL:** Structural Design Consulting
23 Oakmont Circle
Old Orchard Beach, ME 04054
207-934-8000
- MECHANICAL:** Wilbey Engineering
10 Danforth Street
Portland, ME 04101
207-478-7499
- ELECTRICAL:** Bennett Engineering
7 Barrett Road
Fairport, ME 04032
207-865-8475

REVISIONS:

- 2 100% CONSTRUCTION DOCUMENTS
10/24/06

DATE:

PROJECT No. 0422

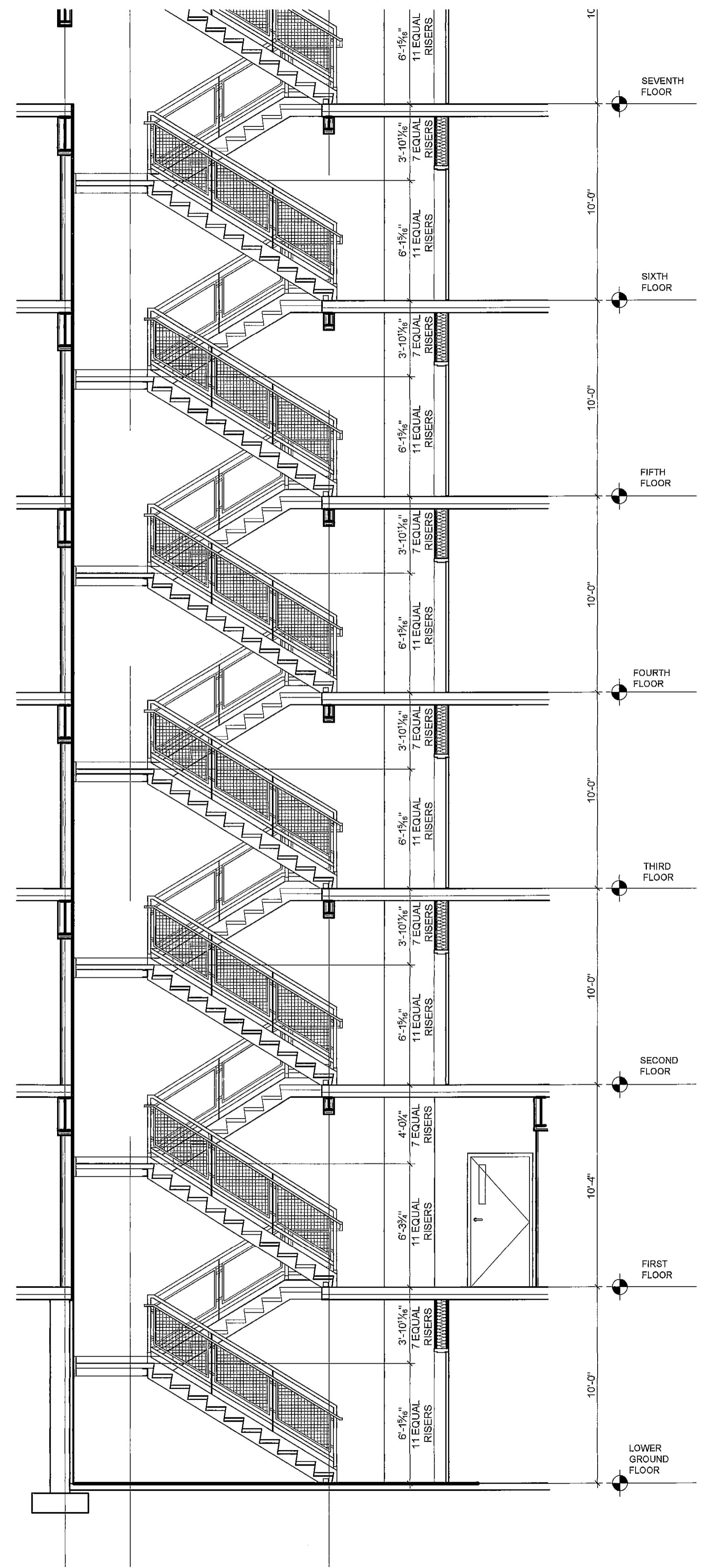
DRAWN BY: RJS

CHECKED BY: TST

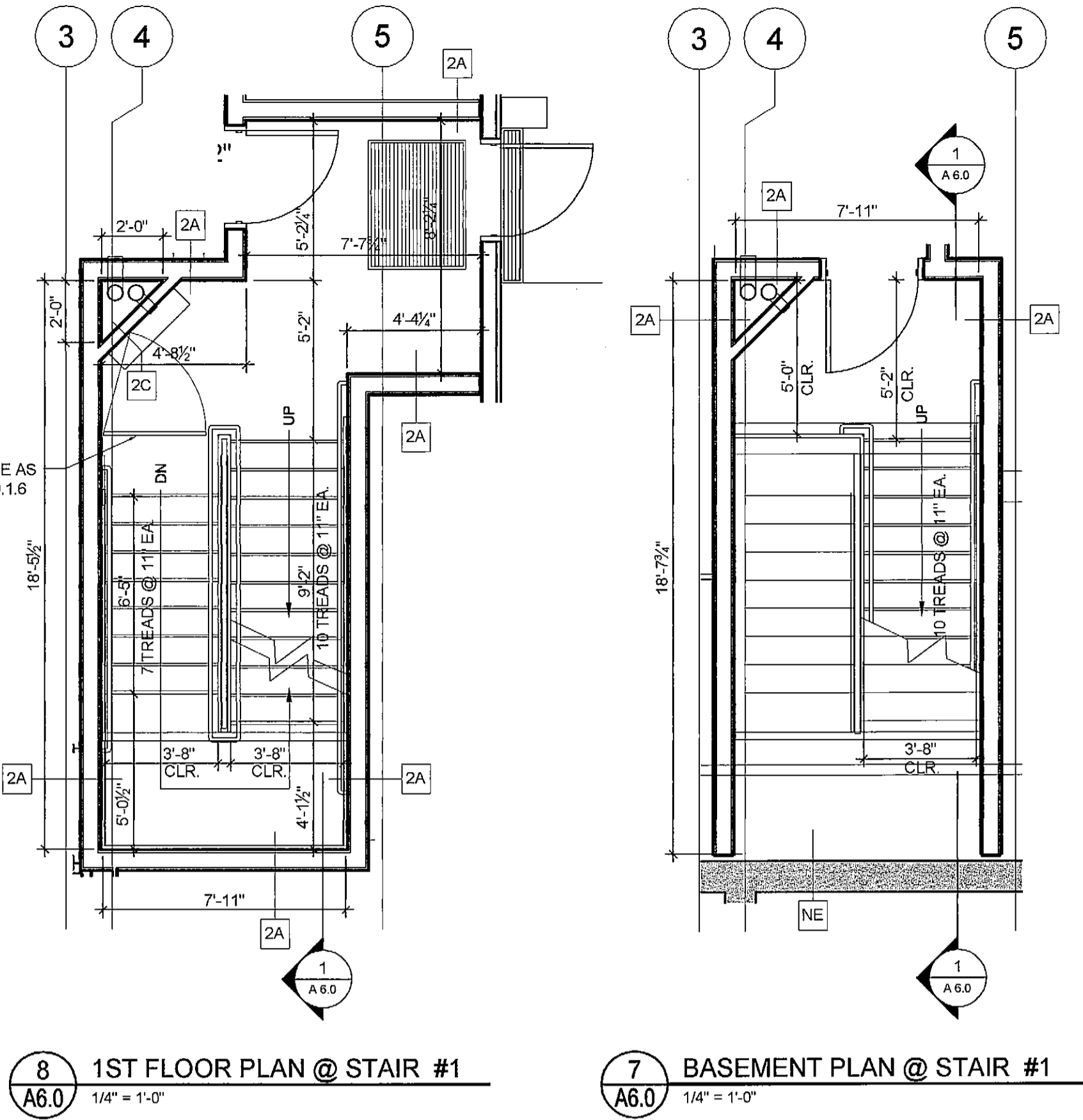
SCALE: AS NOTED

SHEET TITLE:

STAIR PLAN AND SECTION DETAIL



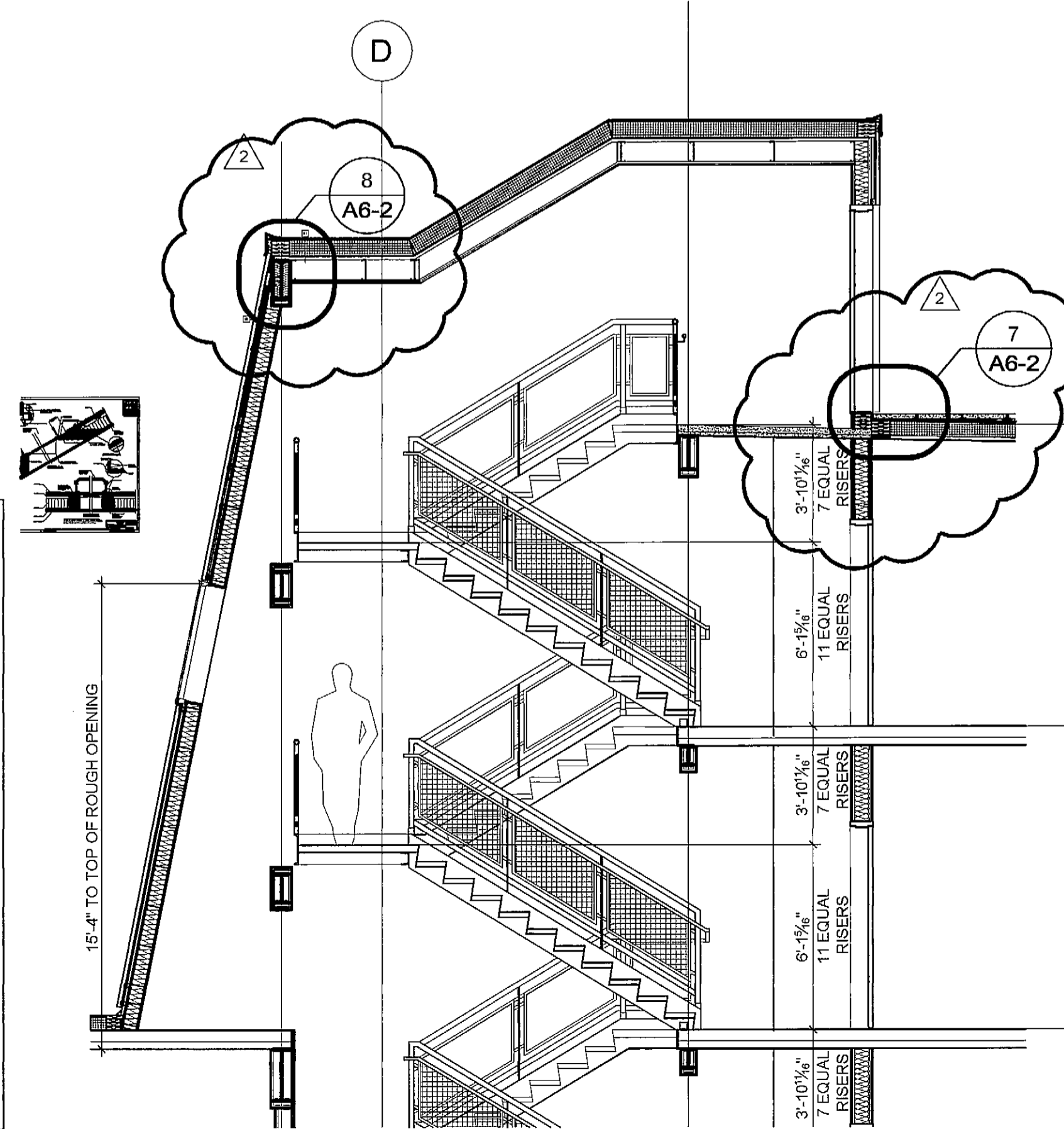
1 SECTION DETAIL @ STAIR #1
A6.1 1/4" = 1'-0"



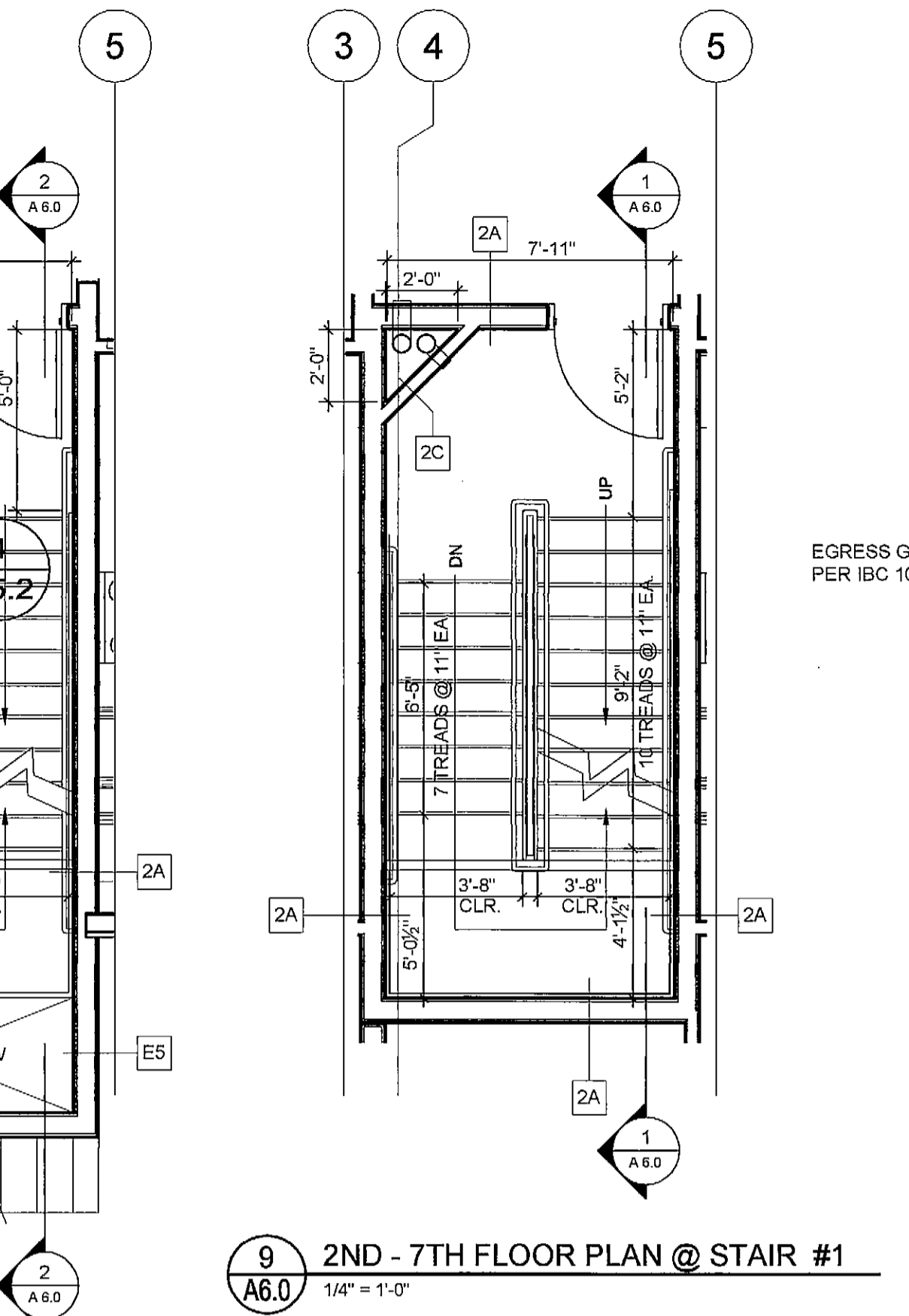
8 1ST FLOOR PLAN @ STAIR #1
A6.0 1/4" = 1'-0"

7 BASEMENT PLAN @ STAIR #1
A6.0 1/4" = 1'-0"

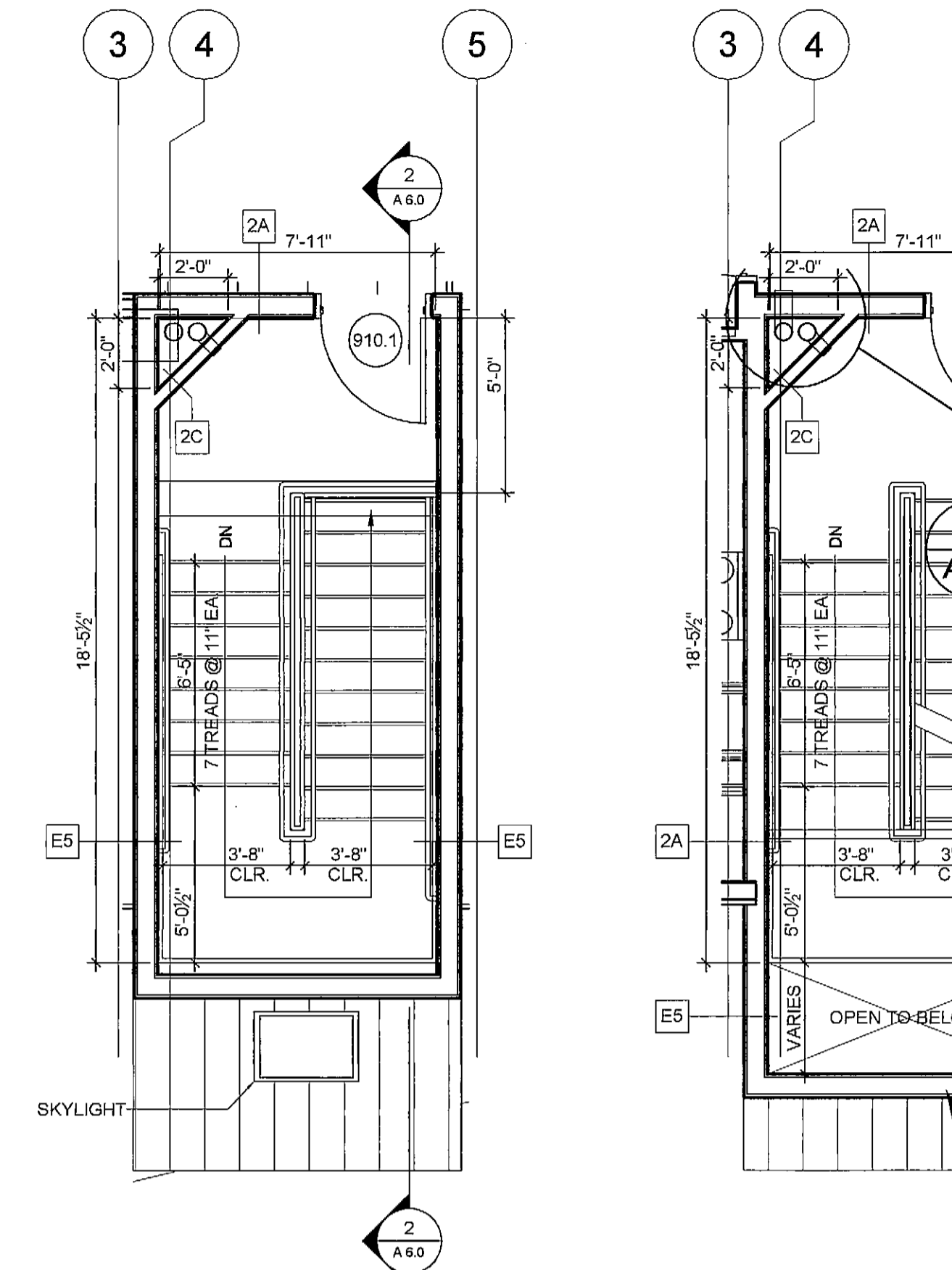
9 2ND - 7TH FLOOR PLAN @ STAIR #1
A6.0 1/4" = 1'-0"



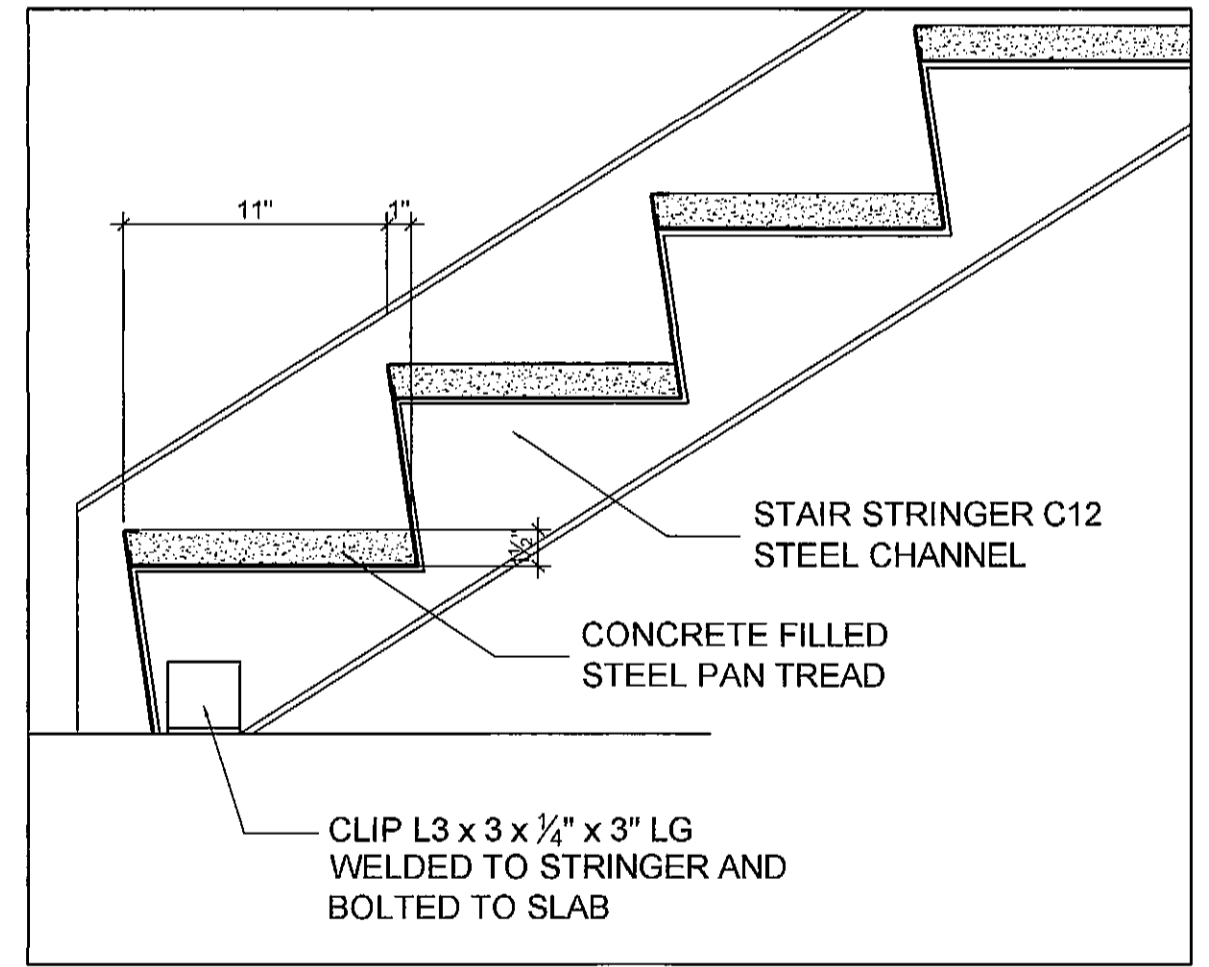
2 SECTION DETAIL @ STAIR #1
A6.1 1/4" = 1'-0"



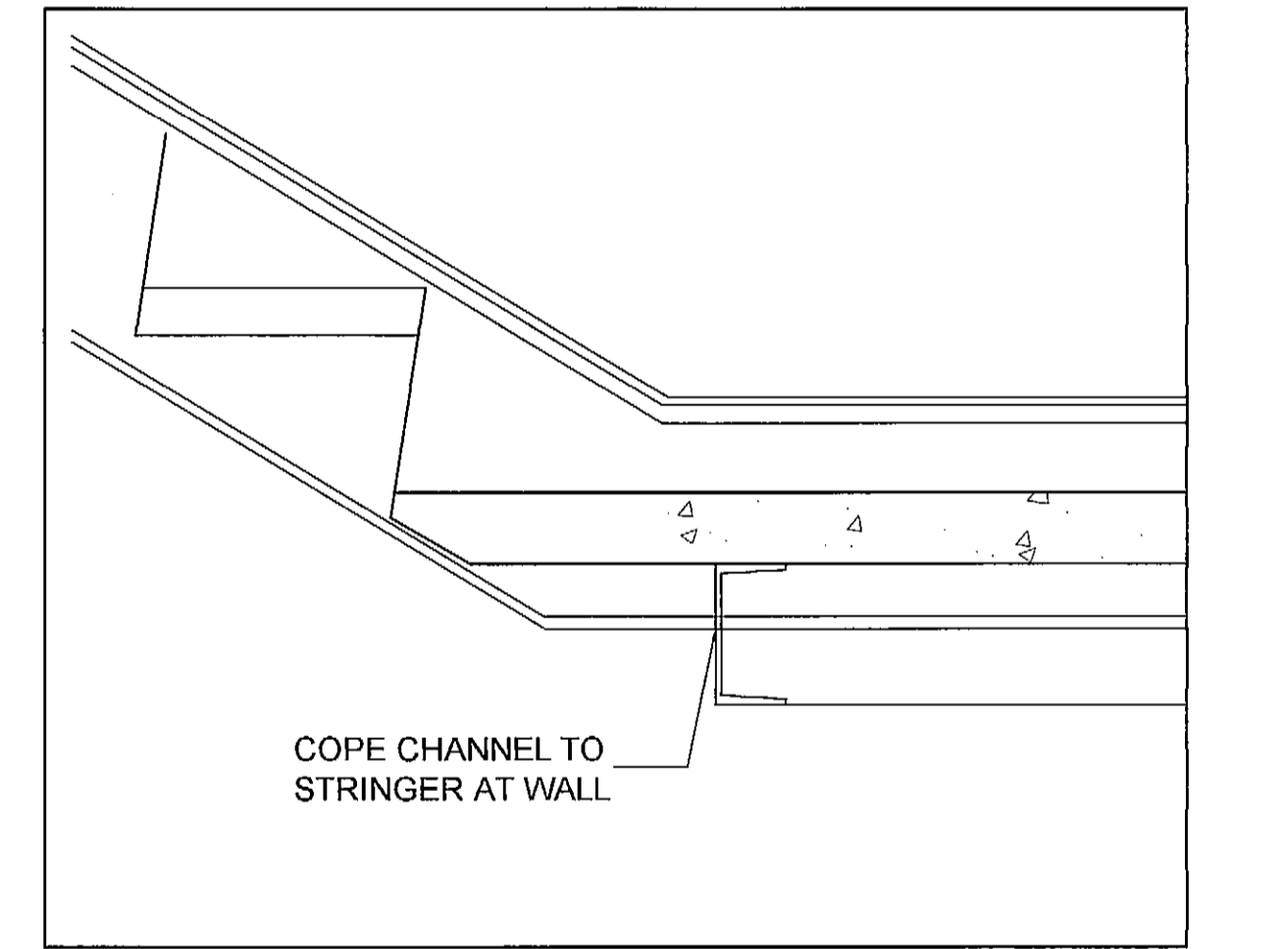
10 7th and 8th FLOOR PLAN, TYPICAL @ STAIR #1
A6.0 1/4" = 1'-0"



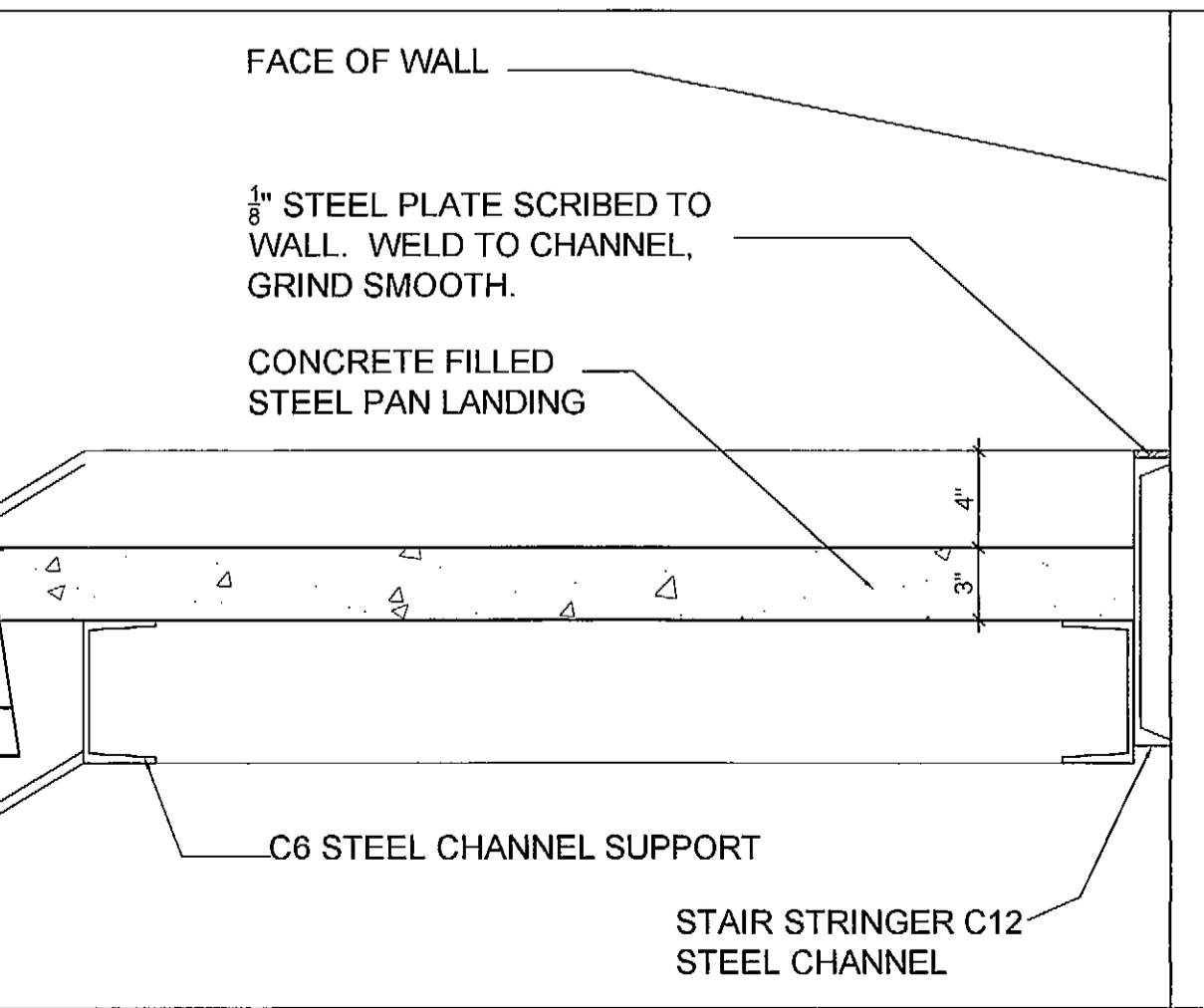
11 ROOF PLAN, TYPICAL @ STAIR #1
A6.0 1/4" = 1'-0"



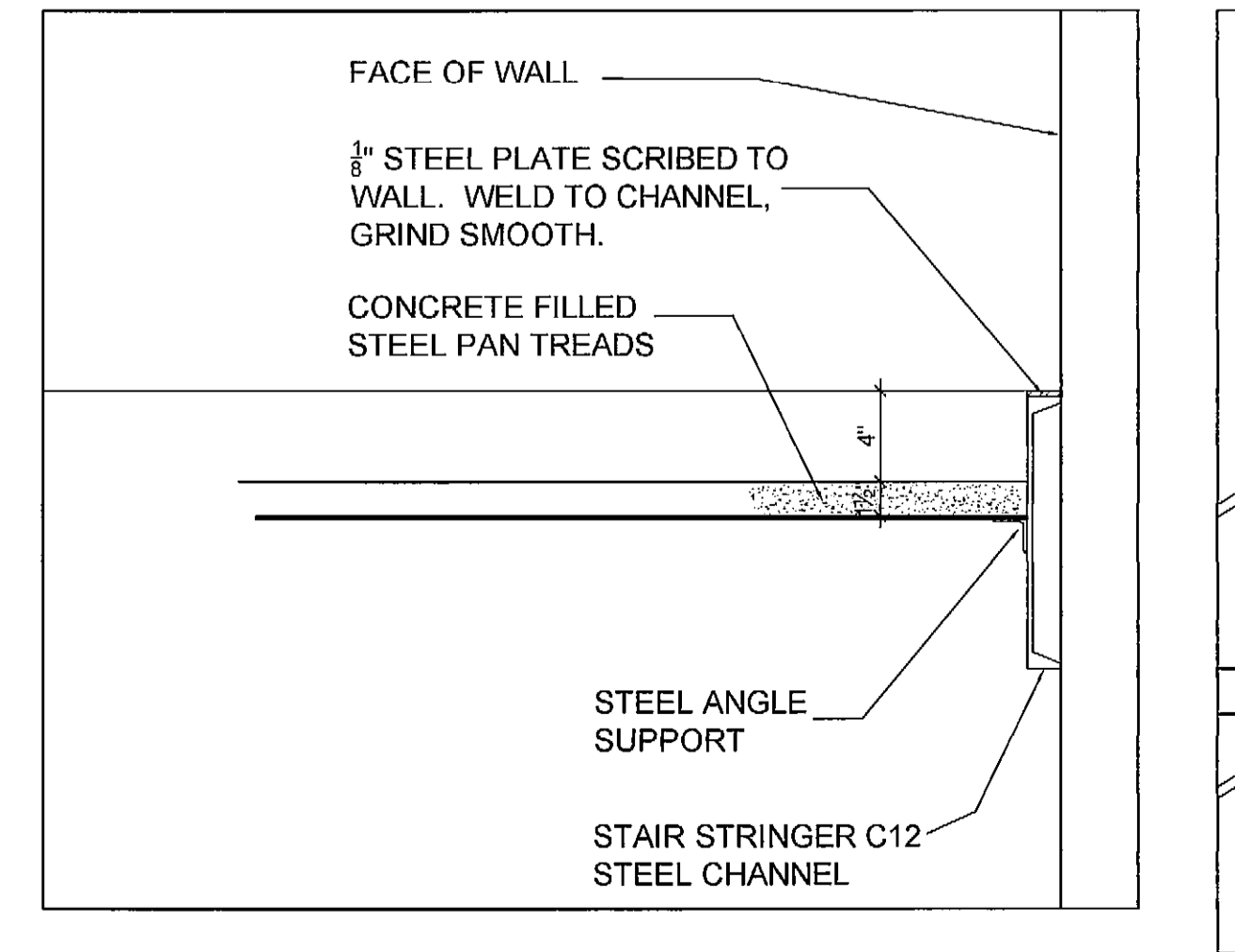
5 BOTTOM OF FLIGHT @ FLOOR, TYP.
A6.1 1 1/2" = 1'-0"



6 BOTTOM OF FLIGHT @ LANDING, TYP.
A6.1 1 1/2" = 1'-0"



3 RISER TO LANDING TO WALL DETAIL, TYP.
A6.1 1 1/2" = 1'-0"



4 STAIR AT WALL DETAIL, TYP.
A6.1 1 1/2" = 1'-0"