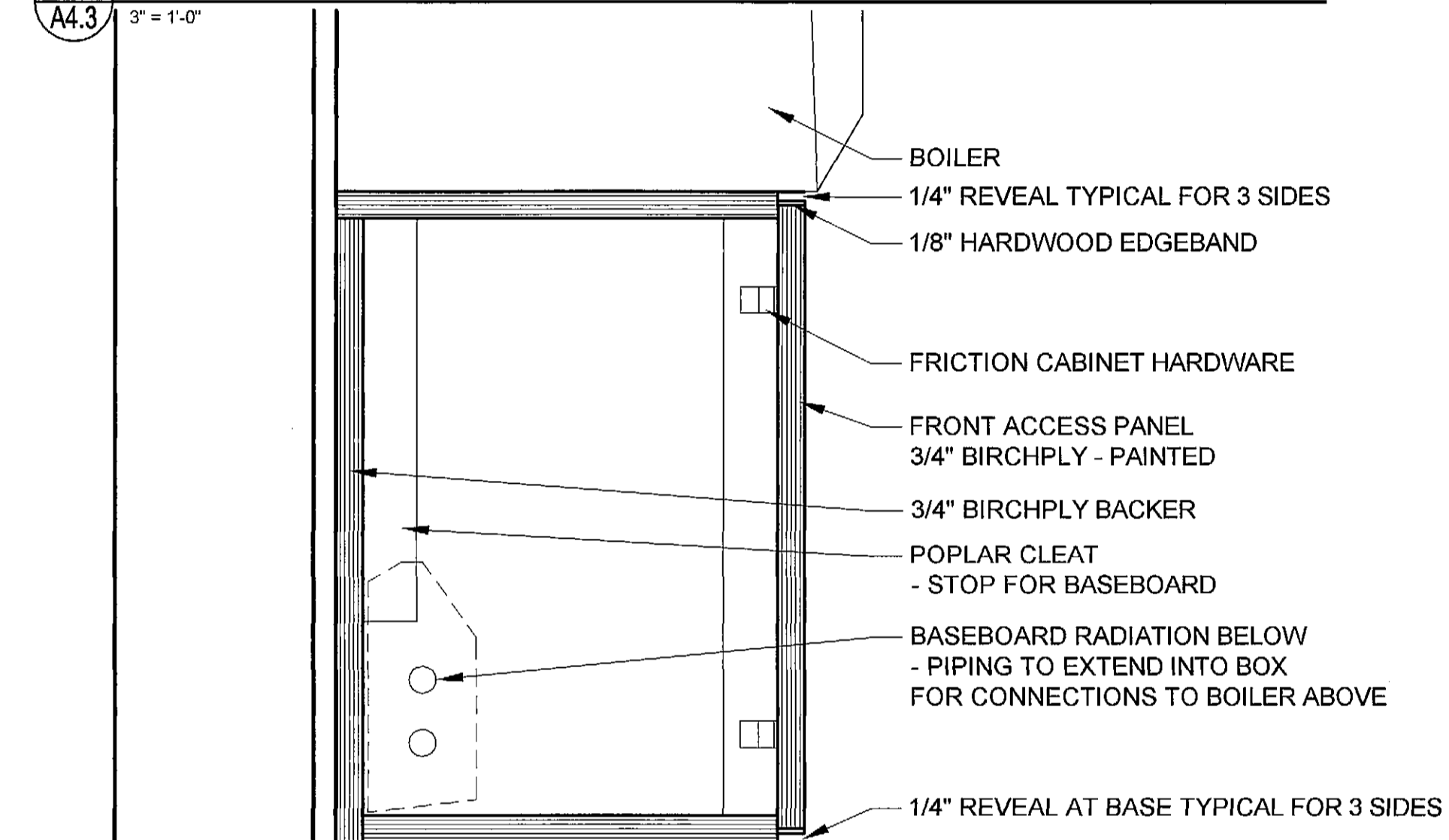
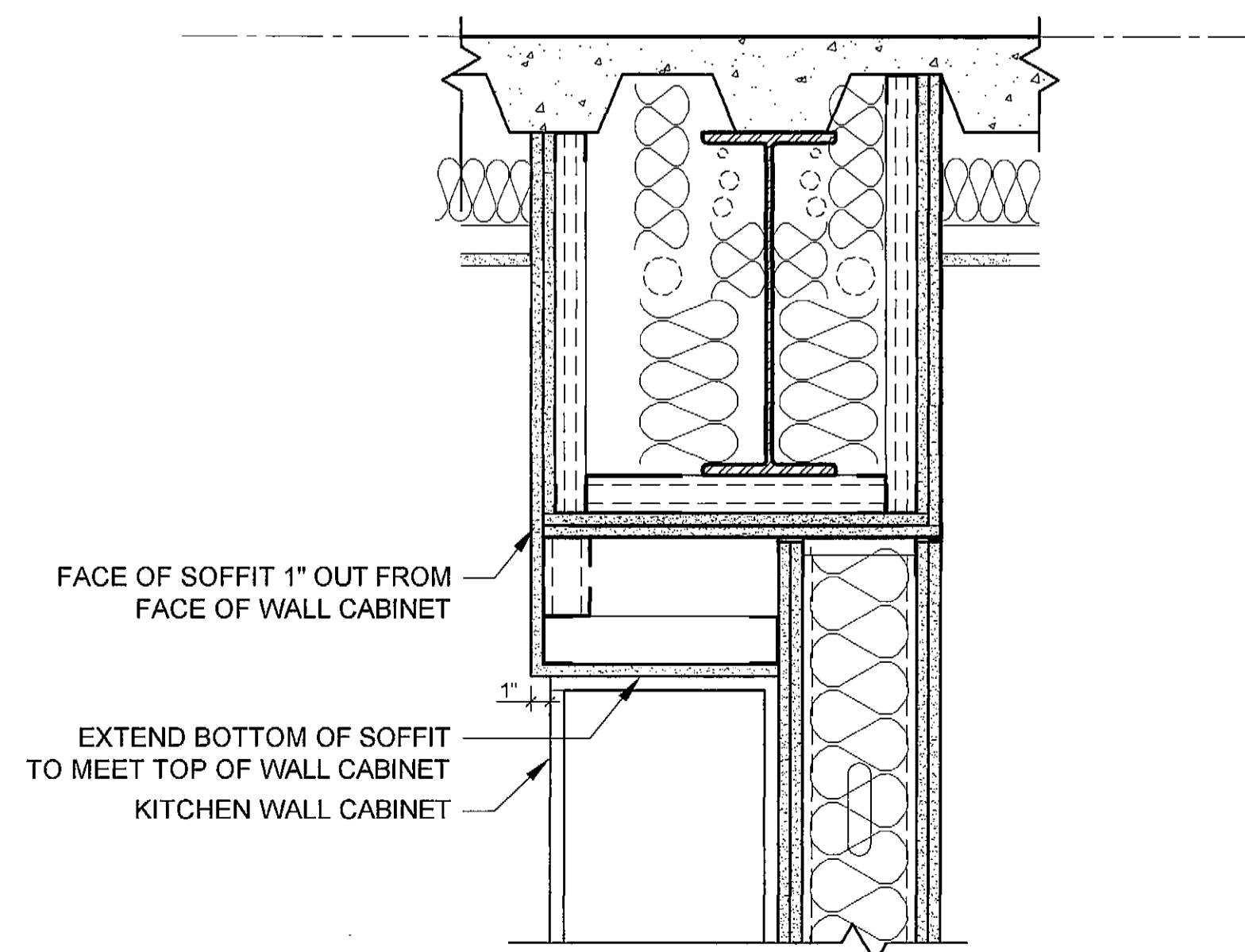


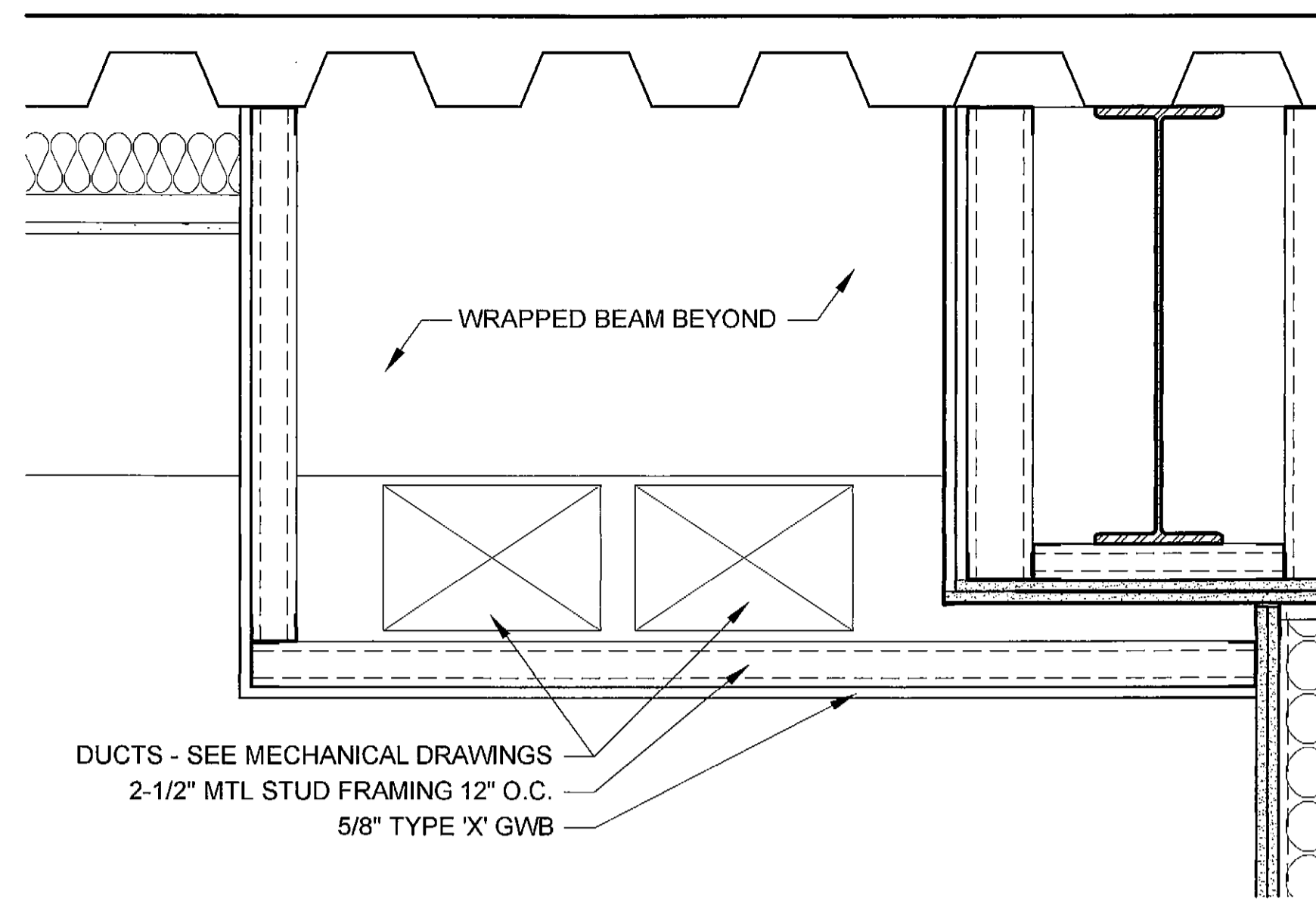
9 BOILER BASE BOX PLAN DETAIL  
A4.3 3" = 1'-0"



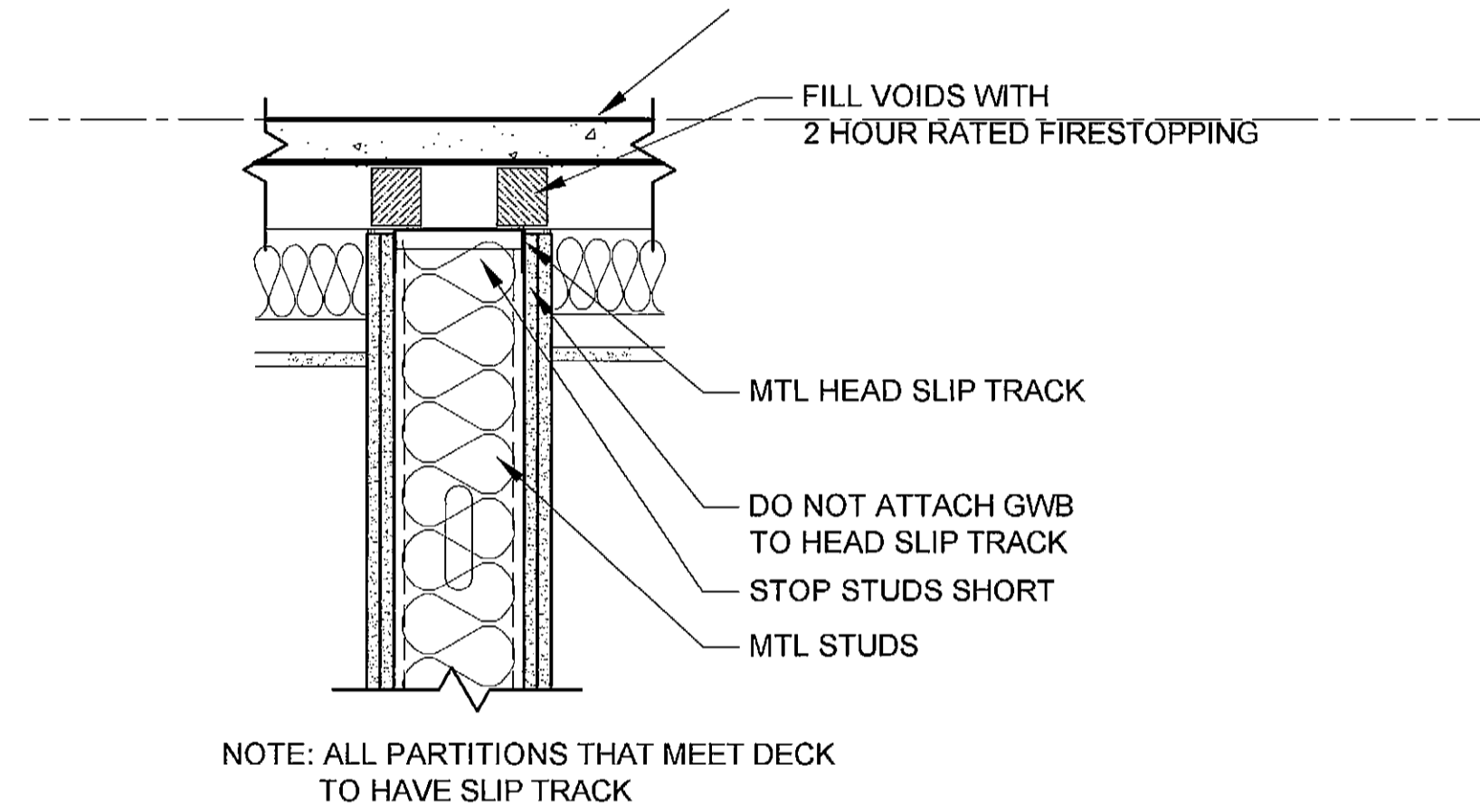
8 BOILER BASE BOX SECTION DETAIL  
A4.3 3" = 1'-0"



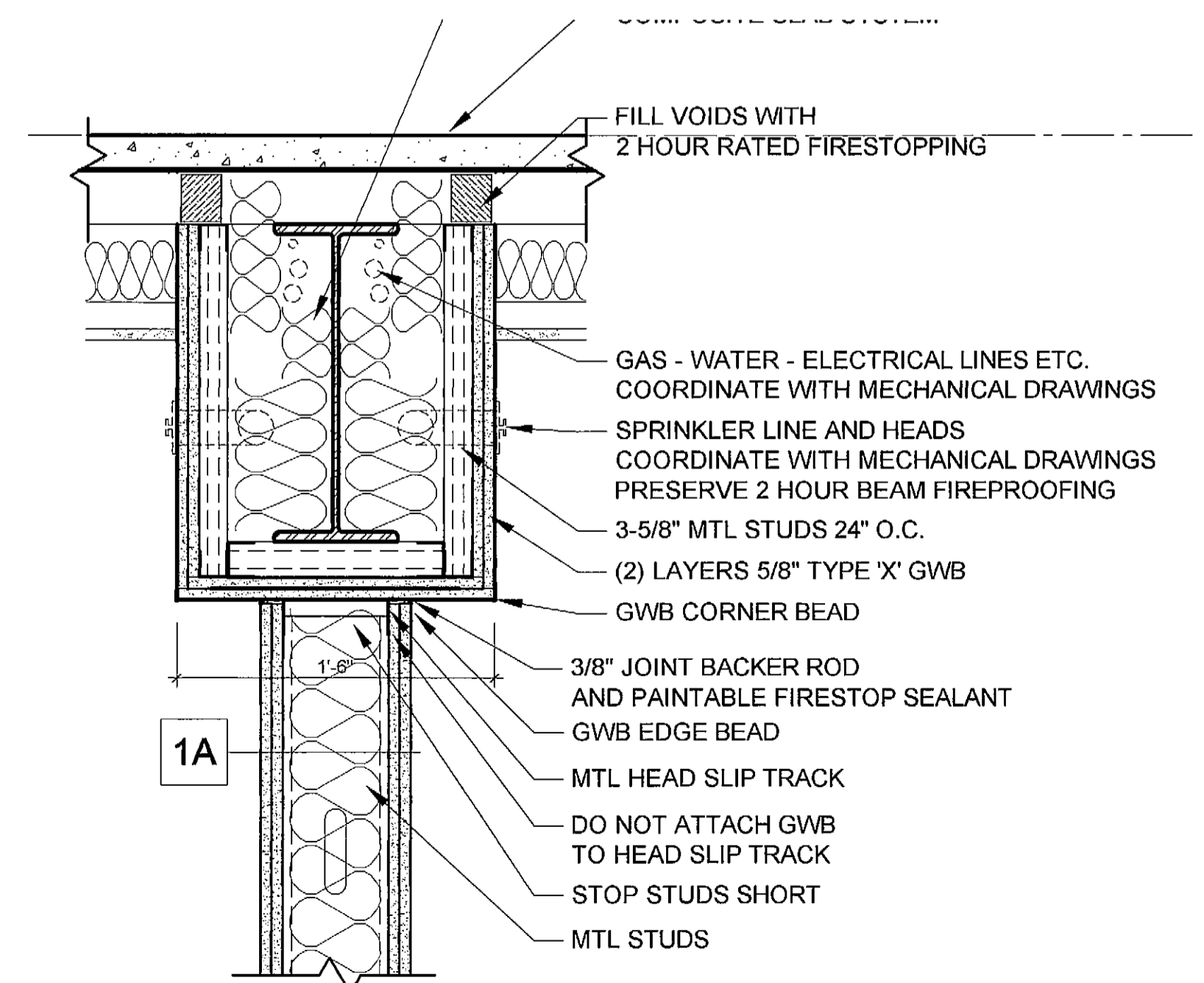
7 BEAM SOFFIT SECTION DETAIL AT KITCHEN WALL CABINET  
A4.3 1-1/2" = 1'-0"



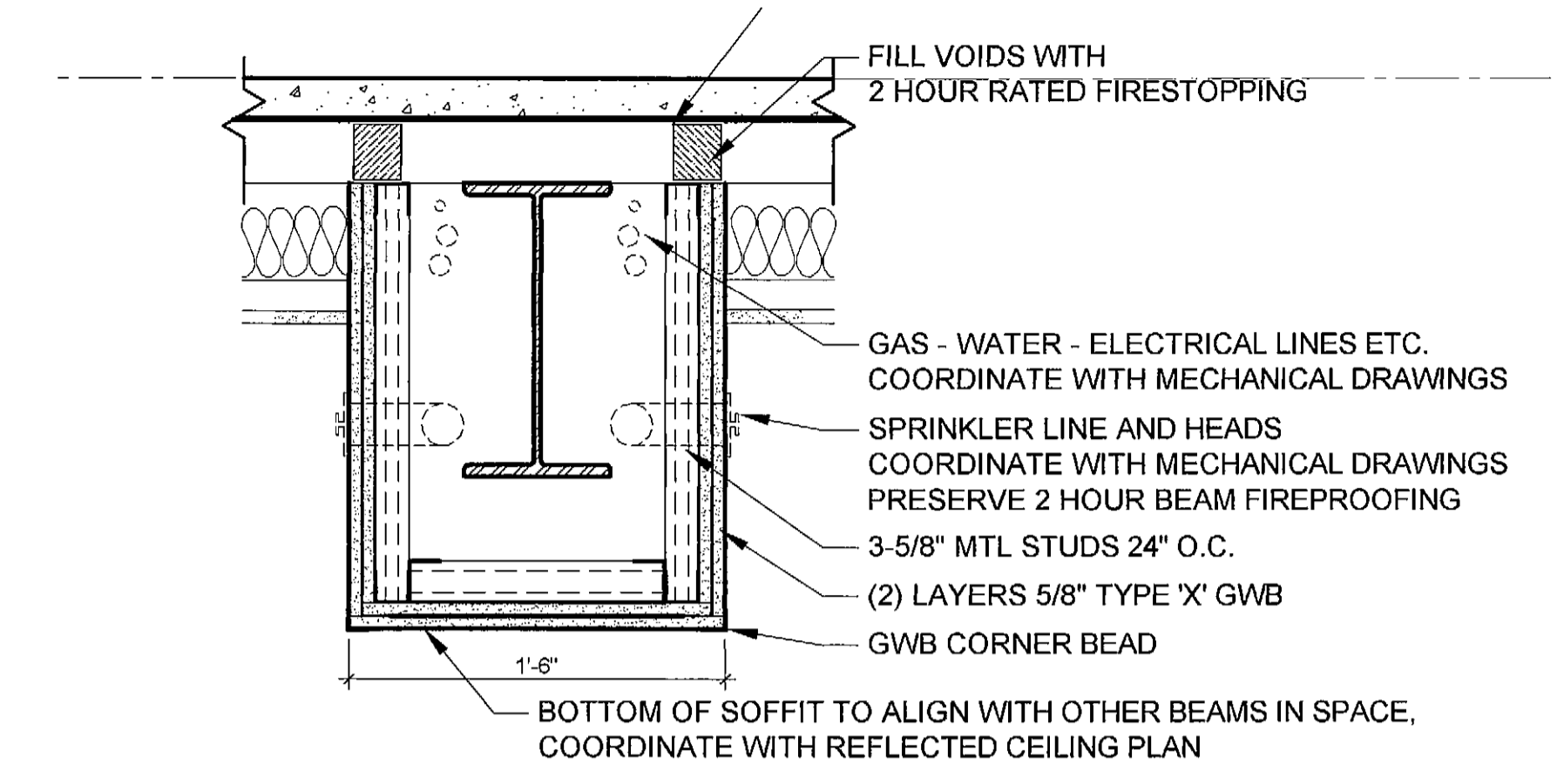
6 BEAM SOFFIT SECTION DETAIL AT COMMERCIAL SPACE DUCT  
A4.3 1-1/2" = 1'-0"



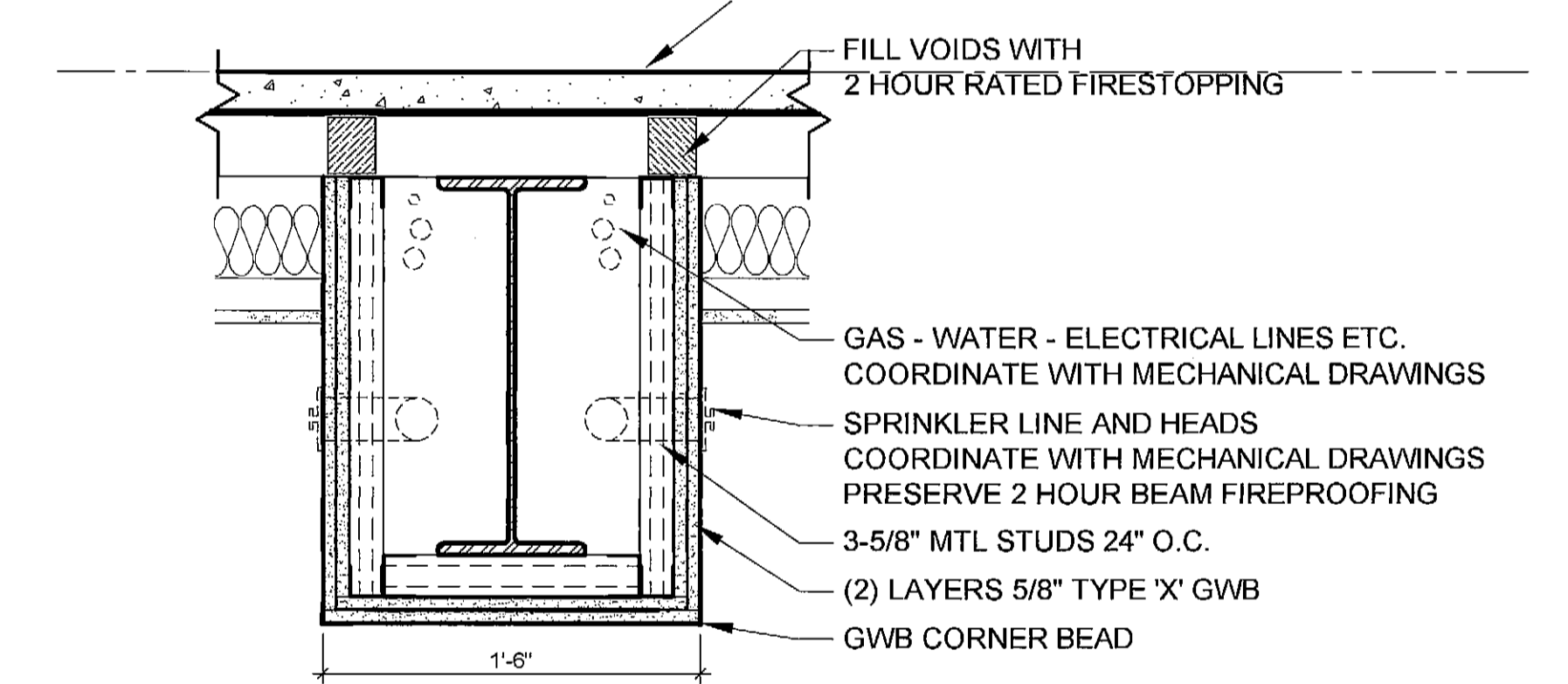
5 BEAM SOFFIT SECTION DETAIL AT PARTITION  
A4.3 1-1/2" = 1'-0"



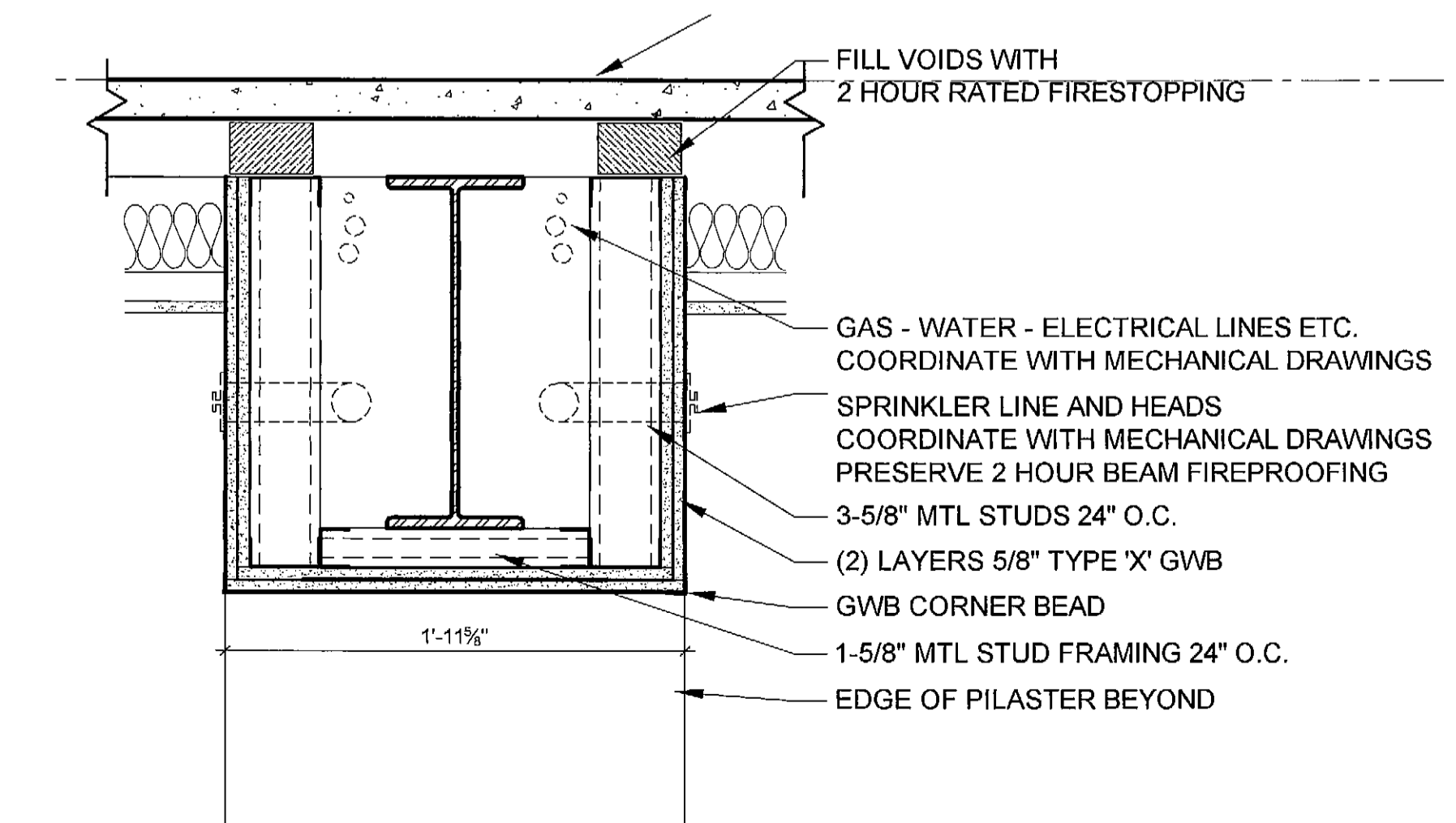
4 BEAM SOFFIT SECTION DETAIL AT PARTITION  
A4.3 1-1/2" = 1'-0"



3 BEAM SOFFIT SECTION DETAIL AT SMALLER BEAM  
A4.3 1-1/2" = 1'-0"



2 BEAM SOFFIT SECTION DETAIL  
A4.3 1-1/2" = 1'-0"



1 BEAM SOFFIT SECTION DETAIL AT COMMERCIAL SPACE  
A4.3 1-1/2" = 1'-0"