

TFH ARCHITECTS
100 COMMERCIAL STREET
PORTLAND MAINE 04101
TELEPHONE 207 775 6141
ARCHITECTURE PLANNING

CONSULTANTS:
ENVIRONMENTAL
Land Use Consultants
565 Riverside Street
Portland, ME 04103
207-678-2313
STRUCTURAL
Structural Design Consulting
22 Calhoun Drive
Old Orchard Beach, ME 04064
207-934-8238
MECHANICAL
Whitney Engineering
10 Danforth Street
Portland, ME 04101
207-874-7489
ELECTRICAL
Bennett Engineering
7 Bennett Road
Freeport, ME 04032
207-886-9476

REVISIONS:

2 100% CONSTRUCTION DOCUMENTS
02-24-05

DATE:

PROJECT No. 0422

DRAWN BY: RJS

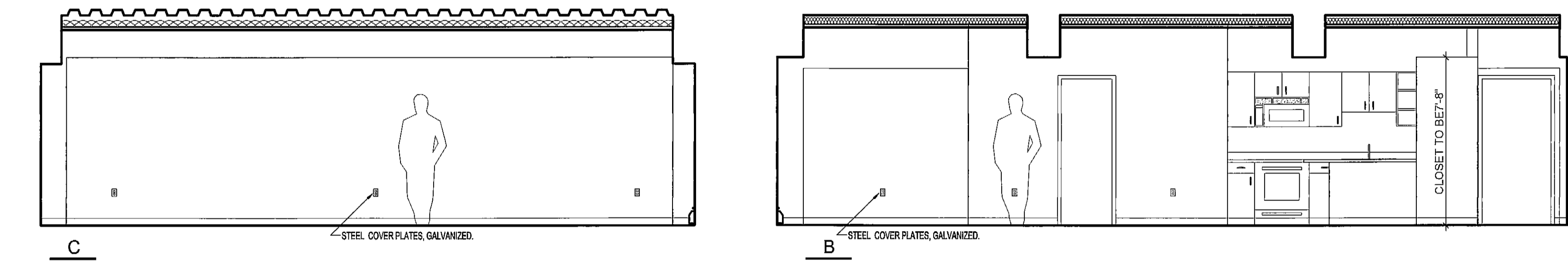
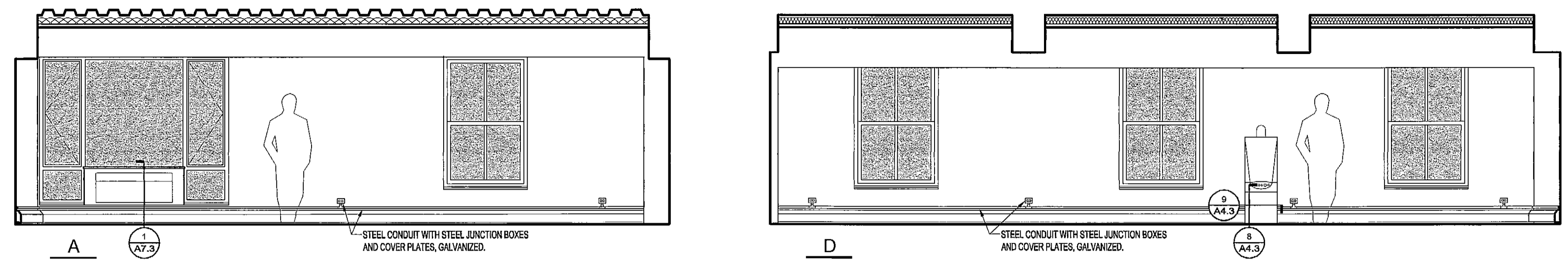
CHECKED BY: TST

SCALE: AS NOTED

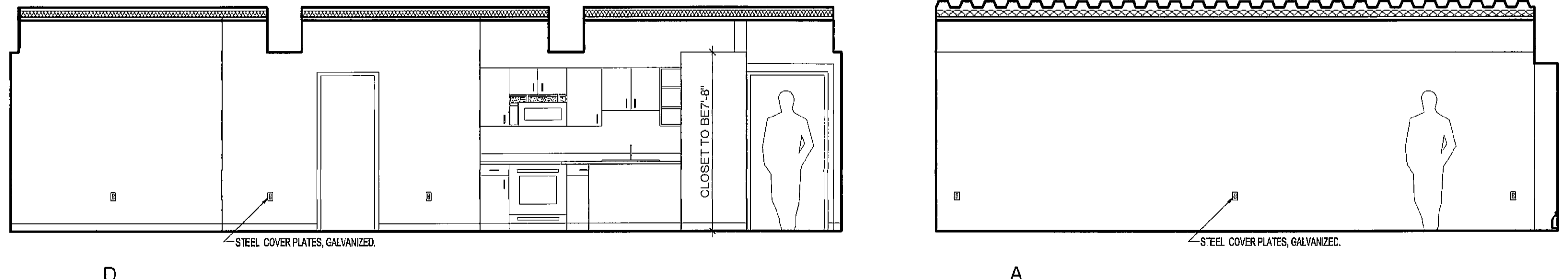
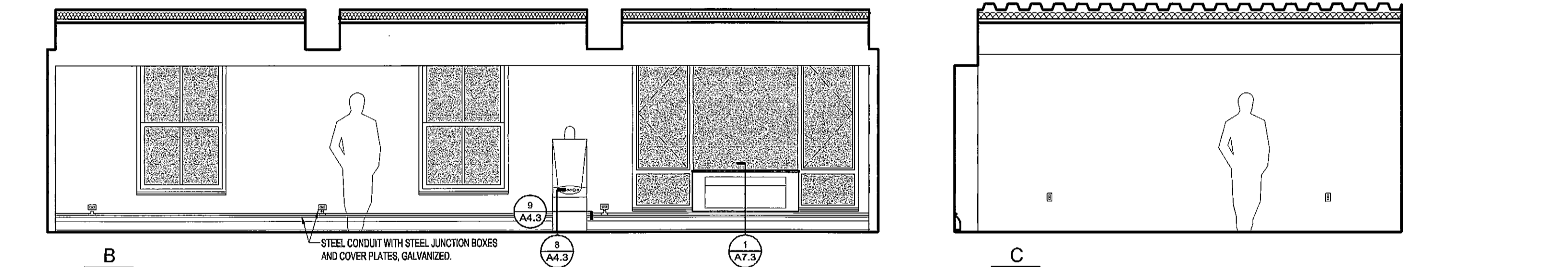
SHEET TITLE:

INTERIOR
ELEVATIONS

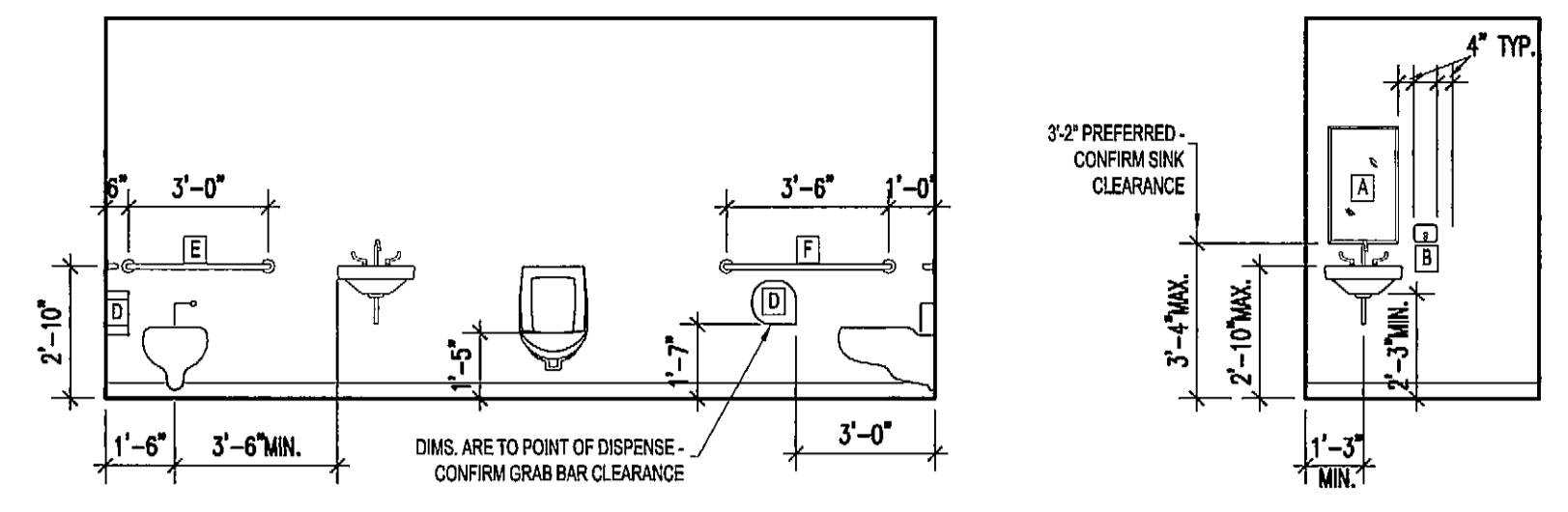
A4.1



4 UNIT 3N
A4.1 1/4" = 1'-0"

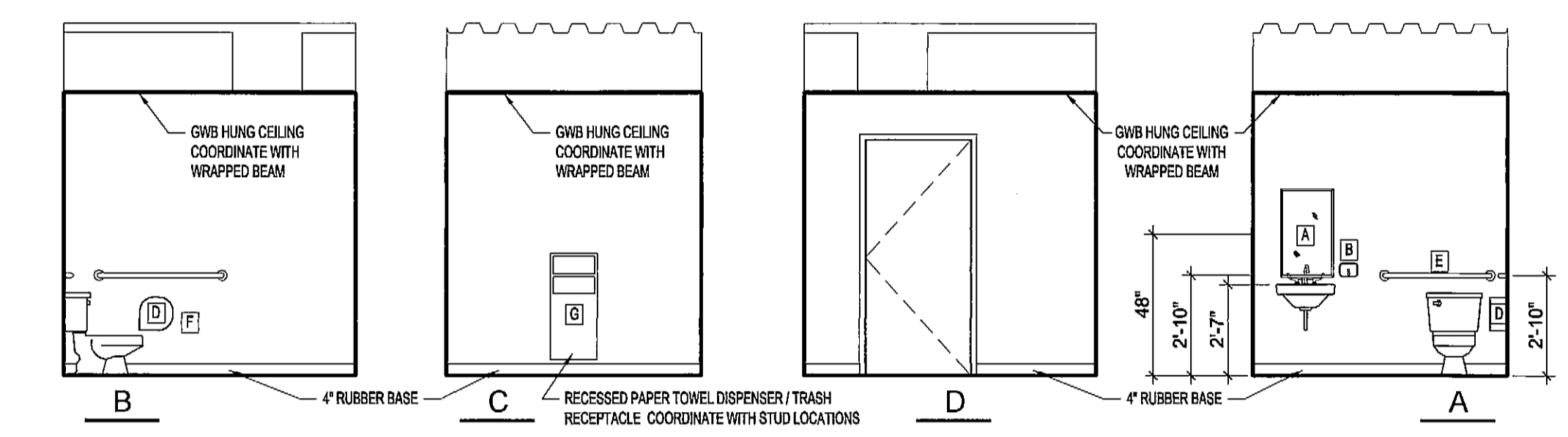


5 UNIT 3SE
A4.1 1/4" = 1'-0"

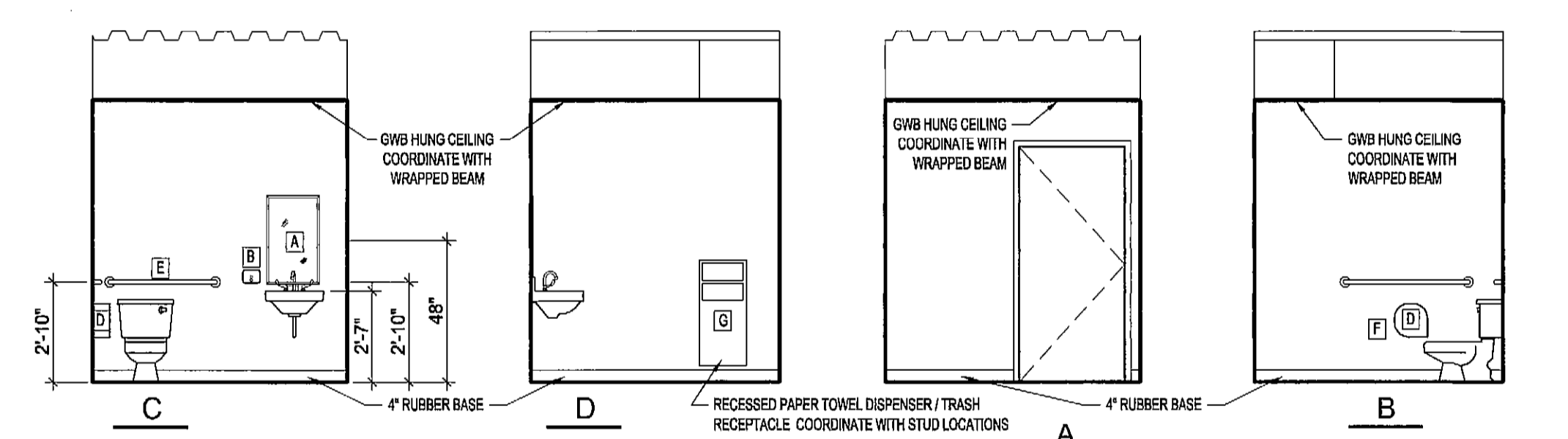


NOTES
1. WHEN GIVEN A RANGE OF DIMENSIONS FOR PLACEMENT, PLACE ALL FIXTURES OF SAME TYPE AT THE SAME ELEVATION THROUGHOUT, UNLESS OTHERWISE DIRECTED.
2. MIRRORS TO BE CENTERED OVER SINKS
3. PROVIDE APPROPRIATE BLOCKING IN WALLS BEHIND ALL FIXTURES, PARTITIONS, AND ACCESSORIES.
TOILET ACCESSORIES KEY
A MIRROR 18" x 36" NOM.
B SOAP DISPENSER
C PAPER TOWEL DISPENSER
D TOILET PAPER DISPENSER
E GRAB BAR 36" (1 1/4" TO 1 1/2" O.D.)
F GRAB BAR 42" (1 1/4" TO 1 1/2" O.D.)
G RECESSED PAPER TOWEL DISPENSER / TRASH RECEPTACLE

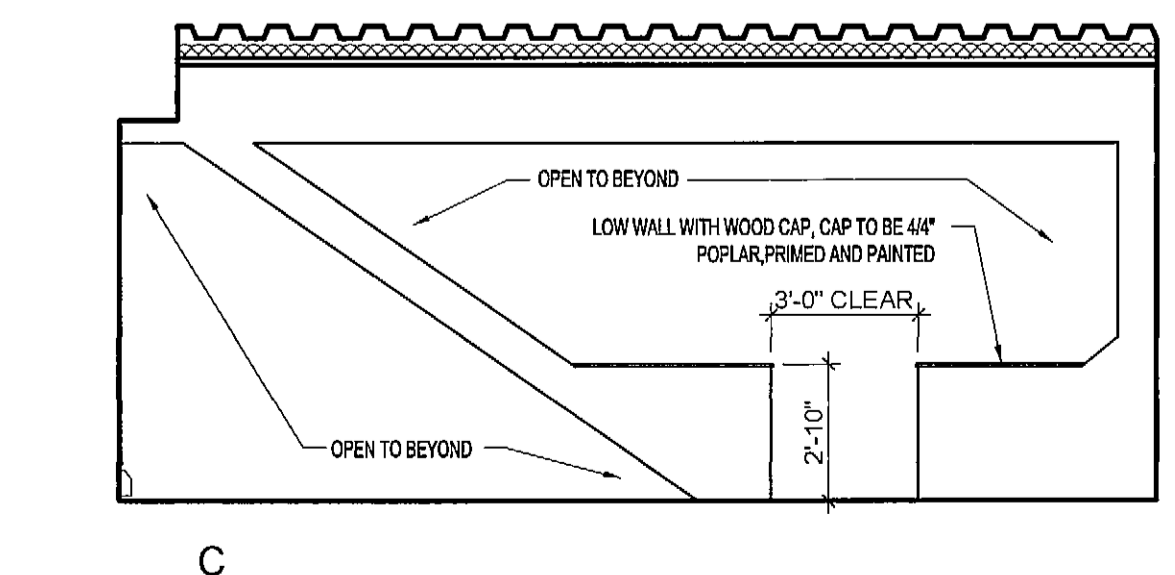
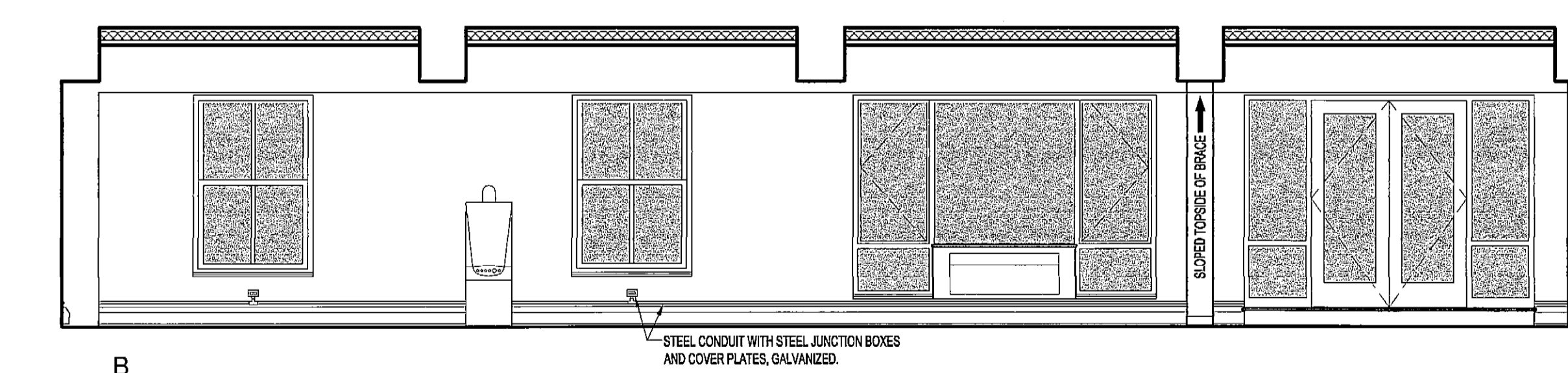
TYPICAL ADA FIXTURE LAYOUTS (NOT ALL TYPES ARE USED)
1/4" = 1'-0"



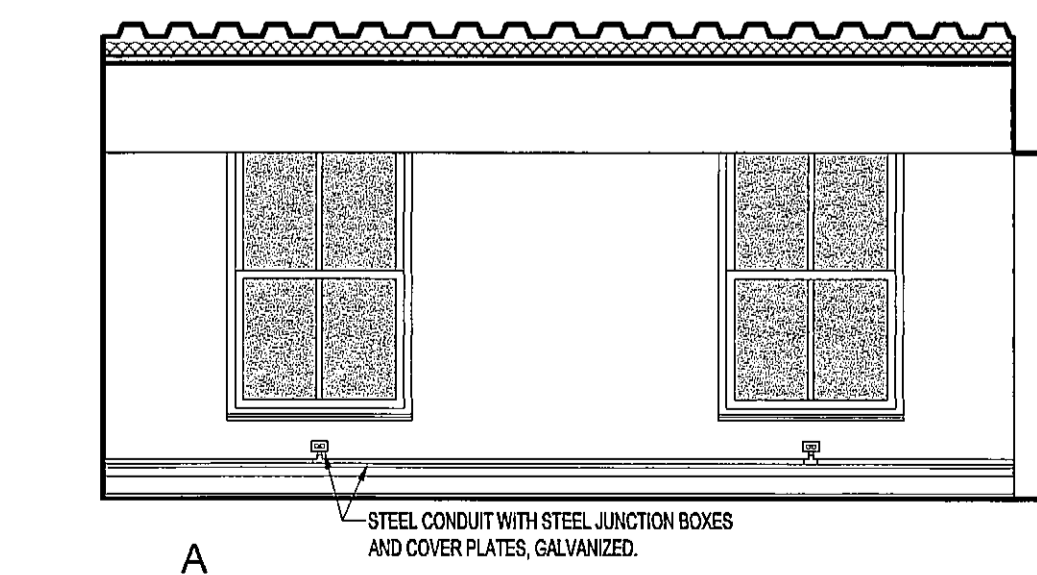
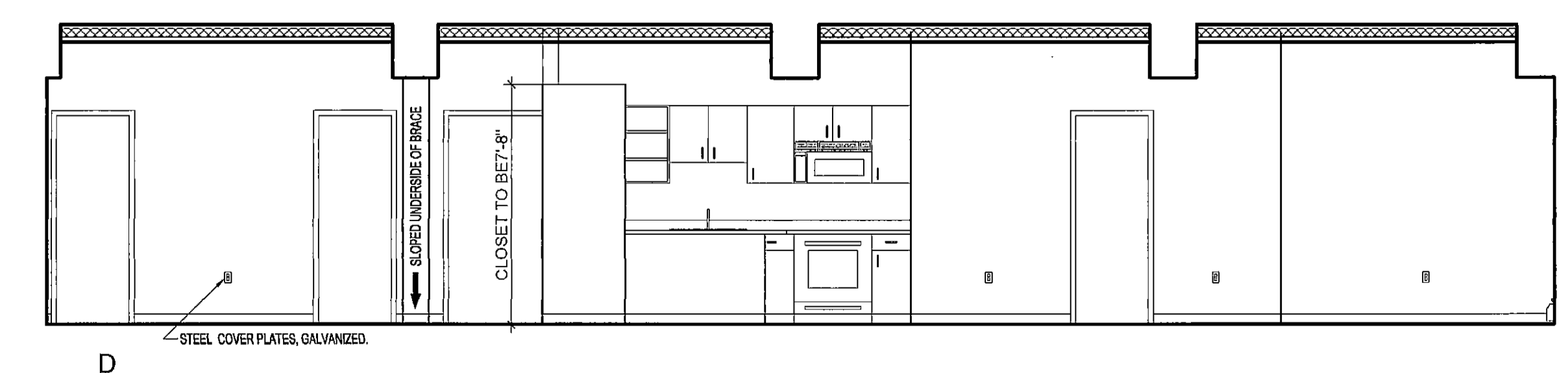
1 TOILET 102
A4.1 1/4" = 1'-0"



2 TOILET 103
A4.1 1/4" = 1'-0"



3 UNIT 7E
A4.1 1/4" = 1'-0"



A4.1 1/4" = 1'-0"