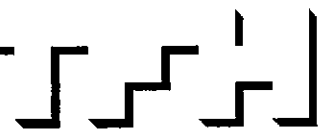


© 2005 TFH ARCHITECTS

CHESTNUT STREET LOFTS
 URBAN REVITALIZATION PROJECT
 BY CHESTNUT STREET LLC.
 PORTLAND, MAINE



TFH ARCHITECTS
 100 COMMERCIAL STREET
 PORTLAND MAINE 04101
 TELEPHONE 207 775 6141
 ARCHITECTURE PLANNING

CONSULTANTS:
CIVIL:
 Land Use Consultants
 989 Riverside Street
 Portland ME 04103
 207-878-3313
STRUCTURAL:
 Structural Design Consulting
 22 Calumet Drive
 Old Orchard Beach, ME 04054
 207-934-4038
MECHANICAL:
 Whitney Engineering
 11 Durbin Street
 Portland, ME 04101
 207-674-7469
ELECTRICAL:
 Bennett Engineering
 7 Bennett Road
 Fenwick ME 04032
 207-665-9475

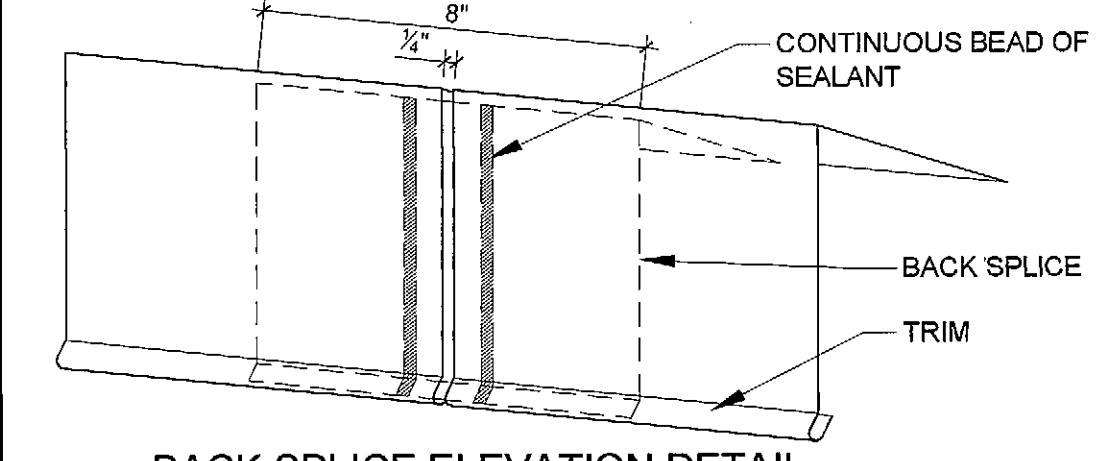
REVISIONS:
 1 100% CONSTRUCTION DOCUMENTS
 2 02.24.09

DATE:
PROJECT No.: 0422
DRAWN BY: RJS
CHECKED BY: TST
SCALE: AS NOTED

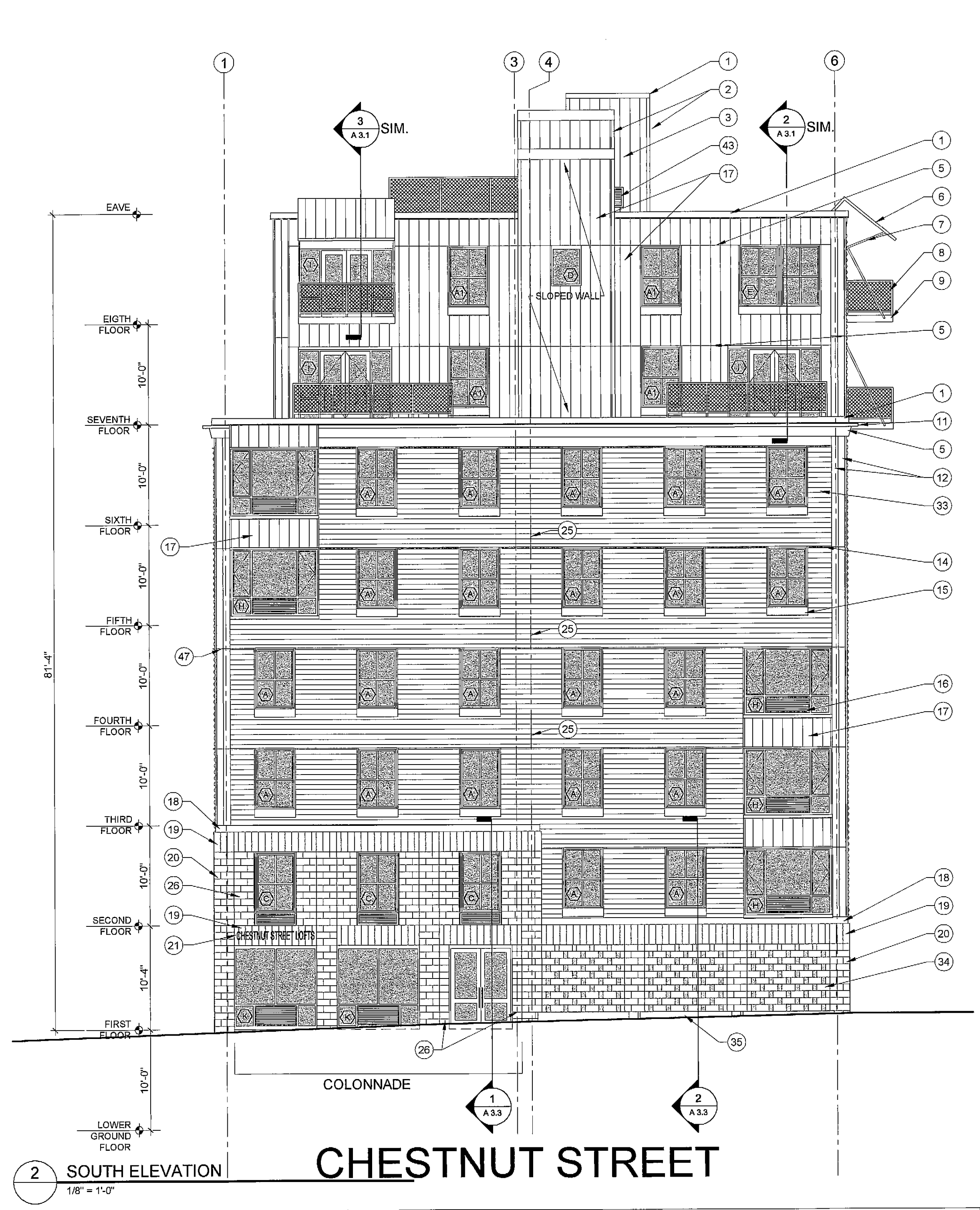
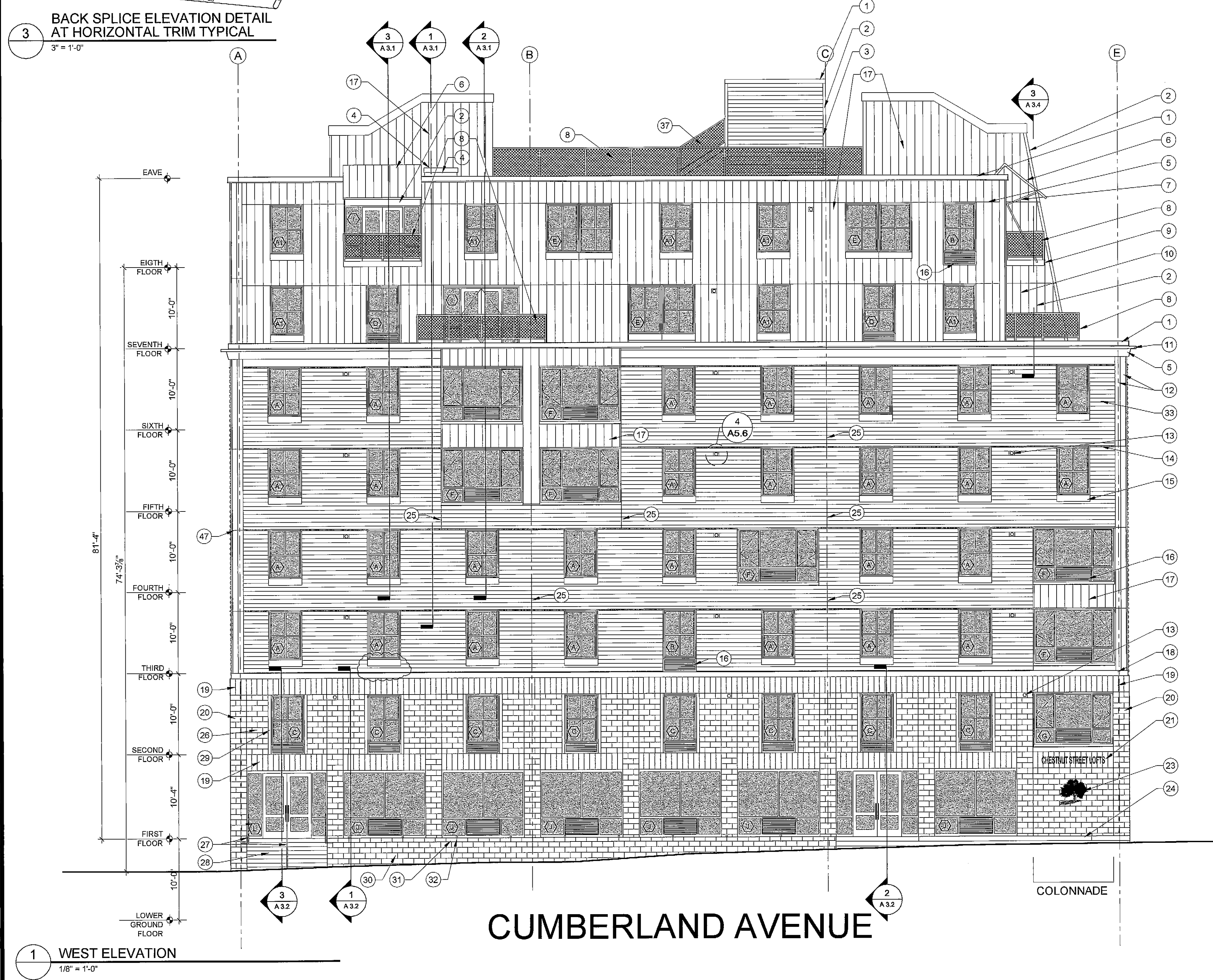
SHEET TITLE:
ELEVATIONS

A2.0

ELEVATION NOTES:
 1. ALL RUNS OF METAL TRIM THAT REQUIRE (BOTH HORIZONTAL AND VERTICAL) JOINTS ARE TO BE BACK SPLICE TYPE JOINTS.
 2. NO RIVETS ARE TO BE USED ON METALWORK



3
BACK SPLICE ELEVATION DETAIL AT HORIZONTAL TRIM TYPICAL
 3" = 1'-0"



EXTERIOR ELEVATION MATERIALS LEGEND

CODE	DESCRIPTION	MATERIAL / COLOR
1	ROOF EDGE STRIP	PRE-FINISHED METAL - (COLOR)
2	TRIM	PRE-FINISHED METAL - (COLOR)
3	HORIZONTAL CORRUGATED SIDING	PRE-FINISHED METAL - (COLOR)
4	ROOF ACCESS HATCH	
5	HORIZONTAL ACCENT FLASHING JOINT	PRE-FINISHED METAL - (COLOR)
6	CANOPY	PRE-FINISHED METAL - (COLOR)
7	BALCONY AND SUPPORT	GALVANIZED STEEL
8	BALCONY GUARD	GALVANIZED STEEL 2" TUBE FRAME WITH 2"X2" GALV. STL. MESH
9	BALCONY DECK FRAME	GALVANIZED STEEL CHANNELS
10	VERTICAL CONCEALED FASTENER SIDING	PRE-FINISHED METAL - (COLOR)
11	CORNICE	PRE-FINISHED METAL - (COLOR)
12	TRIM	PRE-FINISHED METAL - (COLOR)

EXT. ELEVATION MATERIALS LEGEND (CONTINUED)

CODE	DESCRIPTION	MATERIAL / COLOR
13	BOILER VENT WITH FLASHING PLATE	METAL - COLOR TO MATCH ADJACENT SIDING
14	HORIZONTAL TRIM	PRE-FINISHED METAL - (COLOR)
15	WINDOW SILL TRIM	PRE-FINISHED METAL - (COLOR)
16	LOUVER	
17	VERTICAL CONCEALED FASTENER SIDING	PRE-FINISHED METAL - (COLOR)
18	TRANSITION BELT TRIM	PRE-FINISHED METAL - (COLOR)
19	MASONRY SOLDIER COURSE	MONUMENTAL SERIES GROUND FACE BLOCK - (COLOR)
20	MASONRY COLUMN VENEER	GROUND FACE BLOCK - (COLOR)
21	DIMENSIONAL LETTER BUILDING SIGNAGE	ANODIZED ALUMINUM
22	TRIM	PRE-FINISHED METAL - (COLOR)
23	CHESTNUT STREET LOFTS RAISED LOGO	ANODIZED ALUMINUM
24	STEPS	BRICK - COORDINATE WITH CIVIL DRAWINGS

EXT. ELEVATION MATERIALS LEGEND (CONTINUED)

CODE	DESCRIPTION	MATERIAL / COLOR
25	JOINT BETWEEN PANELS	
26	MASONRY FIELD	GROUND FACE BLOCK - (COLOR)
27	HAND RAIL	GALVANIZED STEEL
28	POURED CONCRETE STEPS	
29	JAMB TRIM	PRE-FINISHED METAL - (COLOR)
30	PLANTER WALL	GROUND FACE BLOCK - (COLOR)
31	GROUND FACE CMU BLOCK CAP	GROUND FACE BLOCK - (COLOR)
32	JOINT IN CMU WITH INSERTED METAL STUB	METAL STUB EVERY 6'-8" (5 BLOCKS) ALONG WALL
33	HORIZONTAL CORRUGATED SIDING	PRE-FINISHED METAL - (COLOR)
34	SCREEN WALL	GROUND FACE BLOCK - (COLOR)
35	PLANTER BASE	PRECAST CONCRETE - (COLOR)
36	GRANITE VENEER PANELS	FLAMED FINISH - COLOR - FRESHWATER PEARL

EXT. ELEVATION MATERIALS LEGEND (CONTINUED)

CODE	DESCRIPTION	MATERIAL / COLOR
37	ELEVATOR MACHINE ROOM STAIR AND RAILING	GALVANIZED STEEL
38	CONDENSER ENCLOSURE WITH GATE	GALV. STL. 2" TUBE FRM. W/2"X2" GALV. STL. MESH
39	EXTERIOR DOOR	INSULATED STEEL - PAINTED FINISH
40	PORCH GUARD	GALV. STL. 2" TUBE FRM. W/2"X2" GALV. STL. MESH
41	BOLLARD	CONCRETE FILLED STEEL - PAINTED
42	GAS METERS	
43	ELEVATOR SHAFT LOUVER	PAINTED FINISH
44	MECHANICAL LOUVER	PAINTED FINISH
45	ELECTRIC METERS	
46	COLUMN PROTECTION 32" HIGH MIN.	4" X 4" X 5/16" GALVANIZED STEEL ANGLE
47	BACK SPLICE JOINT ALIGN WITH ACCENT FLASHING	1/4" REVEAL AT BACKSPLICE
48	BALCONY BRACKETS	SEE STRUCTURAL DRAWINGS