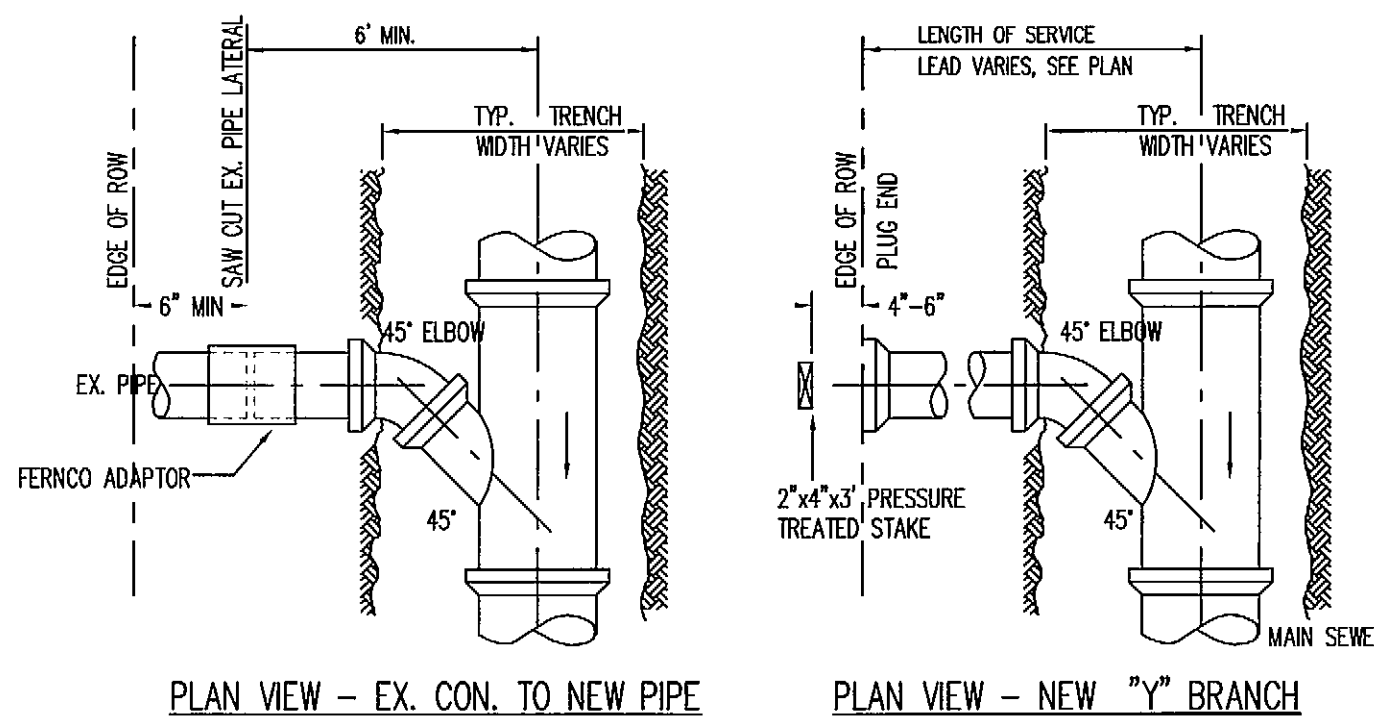


PLAN VIEW

NOTE:
CONTRACTOR TO PROVIDE TRANSFORMER
DETAIL FOR REVIEW BY ELEC. ENG PRIOR
TO INSTALLATION.

5 TRANSFORMER PAD DETAIL

ALL NEW UTILITY SERVICE LEADS SHALL BE INSTALLED TO THE RIGHT-OF-WAY LINE. SANITARY SEWER
SERVICE LEADS SHALL BE 6-INCH DIAMETER. STORM DRAIN SERVICE LEADS SHALL BE 4-INCH DIAMETER.
A PRESSURE-TREATED WOODEN STAKE 2"x4"x3"
SHALL BE INSTALLED TO MARK THE END OF EACH NEW SERVICE LEAD.

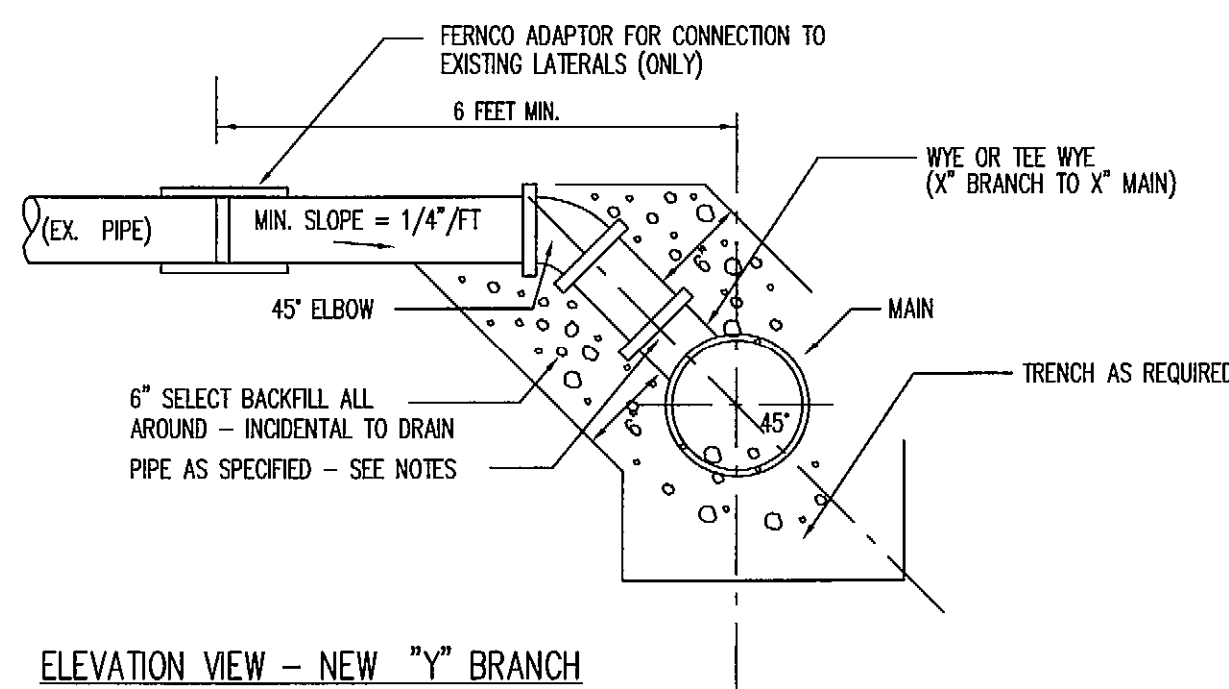


PLAN VIEW - EX. CON. TO NEW PIPE

PLAN VIEW - NEW "Y" BRANCH

3 SEWER & STORM DRAIN PIPE INSTALLATION DETAIL

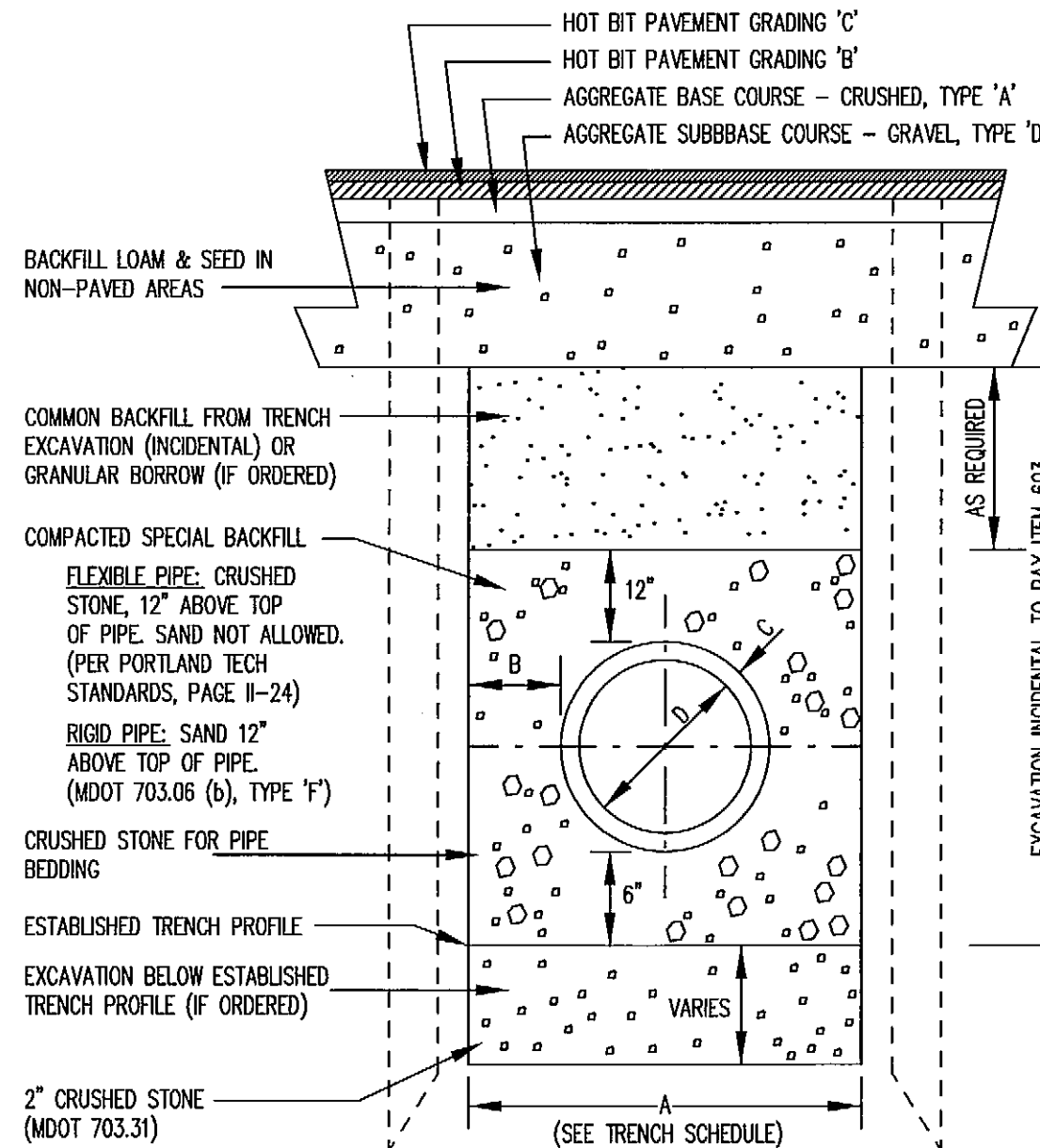
NOT TO SCALE



ELEVATION VIEW - NEW "Y" BRANCH

5 TYPICAL SEWER SERVICE LEAD CONNECTION

NOT TO SCALE



3 SEWER & STORM DRAIN PIPE INSTALLATION DETAIL

NOT TO SCALE

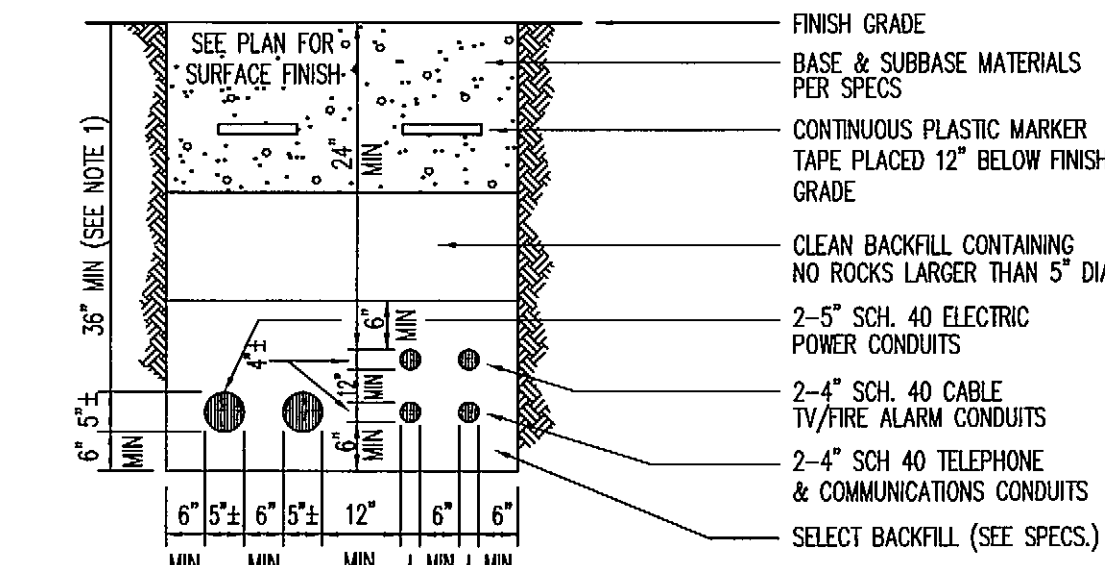
D	A	B	C	VOL. BASE /100'	VOL. BASE /100'
CNO	CNO	CNO	CNO	UNSHRETTED	OD. BELL
12"	3'-0"	10"	2"	8.319	20 1/4"
15"	3'-0"	8 1/4"	2 1/4"	8.628	24 1/8"
18"	3'-0"	6 1/2"	2 1/2"	8.925	28"
21"	3'-1 1/2"	6"	2 3/4"	9.266	31 7/8"
24"	3'-6"	6"	3"	11.233	35 3/4"
27"	3'-9 1/2"	6"	3 1/4"	12.635	
30"	4'-1"	6"	3 1/2"	14.120	
33"	4'-4 1/2"	6"	3 3/4"	15.722	
36"	4'-8"	6"	4"	17.338	
42"	5'-3"	6"	4 1/2"	20.726	
48"	5'-10"	6"	5"	24.463	
54"	6'-5"	6"	5 1/2"	28.404	
60"	7'-0"	6"	6"	32.607	
66"	7'-7"	6"	6 1/2"	37.074	
72"	8'-2"	6"	7"	41.886	
78"	8'-9"	6"	7 1/2"	46.881	
84"	9'-4"	6"	8"	52.149	
90"	9'-11"	6"	8 1/2"	57.769	
96"	10'-6"	6"	9"	63.552	

D	A	B	C	VOL. BASE /100'	VOL. BASE /100'
CNO	CNO	CNO	CNO	UNSHRETTED	OD. SOCKET
8"	3'-0"	1'-1 1/2"	1/2"	7.358	10 3/8"
10"	3'-0"	1'-3/8"	5/8"	7.638	12 1/2"
12"	3'-0"	1 1/8"	5/8"	7.932	14 1/2"
14"	3'-0"	1 1/4"	5/8"	8.178	16 3/4"
16"	3'-0"	1 3/4"	3/4"	8.447	19"
18"	3'-0"	1 7/8"	3/4"	8.663	21 1/8"
20"	3'-0"	2 1/8"	3/4"	8.815	23 3/8"
24"	3'-1 3/4"	6"	7/8"	9.633	27 3/4"
27"	3'-5 1/4"	6"	1 1/8"	10.959	31 1/8"
30"	3'-8 1/4"	6"	1 1/8"	12.156	34 1/2"
33"	3'-11 3/4"	6"	1 3/8"	13.513	38 1/8"
36"	4'-2 3/4"	6"	1 3/8"	14.910	

A - WIDTH OF UNSHRETTED TRENCH
PVC, TRUSS, CMP AND POLYETHYLENE

2 PIPE TRENCH SCHEDULE

NOT TO SCALE

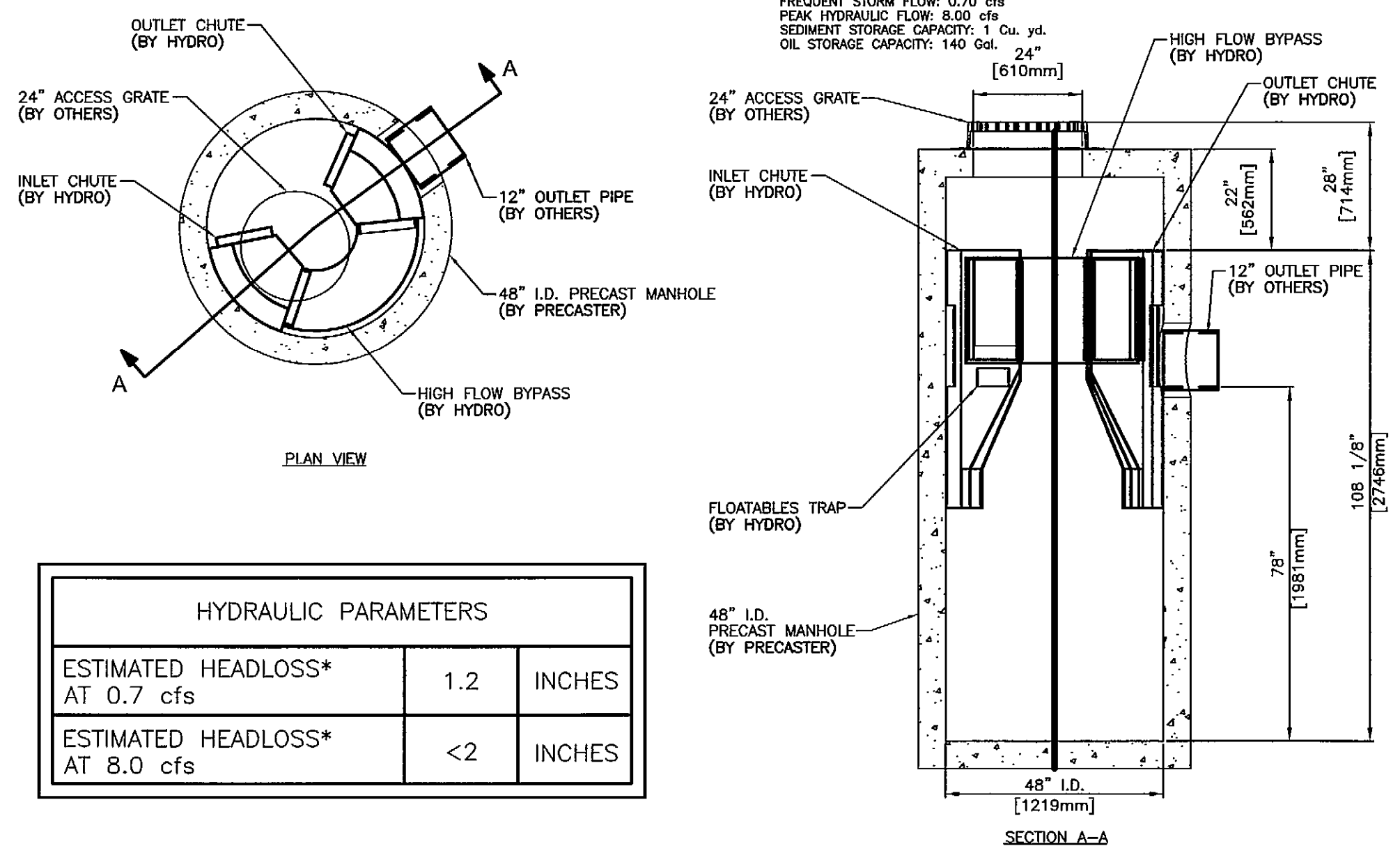


NOTES:
1. IF LEDGE IS ENCOUNTERED, DEPTH OF TRENCH MAY BE REDUCED ONLY BY PRIOR APPROVAL BY THE APPROPRIATE UTILITY COMPANIES.
2. BEDDING AND BACKFILL SHALL BE FREE OF ROOTS, STUMPS AND OTHER DEBRIS.
3. REFER TO DETAIL #1 ON SHEET #7 FOR LOCATION OF UG UTILITIES.

1 CABLE TRENCH - PRIMARY SERVICES

NOT TO SCALE

NOTES:
1. THIS DRAWING IS A LEDGER SIZE ORIGINAL.
2. DIMENSIONS ARE GENERAL AND INTENDED FOR GUIDANCE ONLY.
3. THE ORIENTATION OF THE OUTLET PIPE CAN BE ADJUSTED TO SITE REQUIREMENTS. SEE SITE PLAN FOR ORIENTATION.
4. METRIC DIMENSIONS BASED ON 25.4mm/INCH



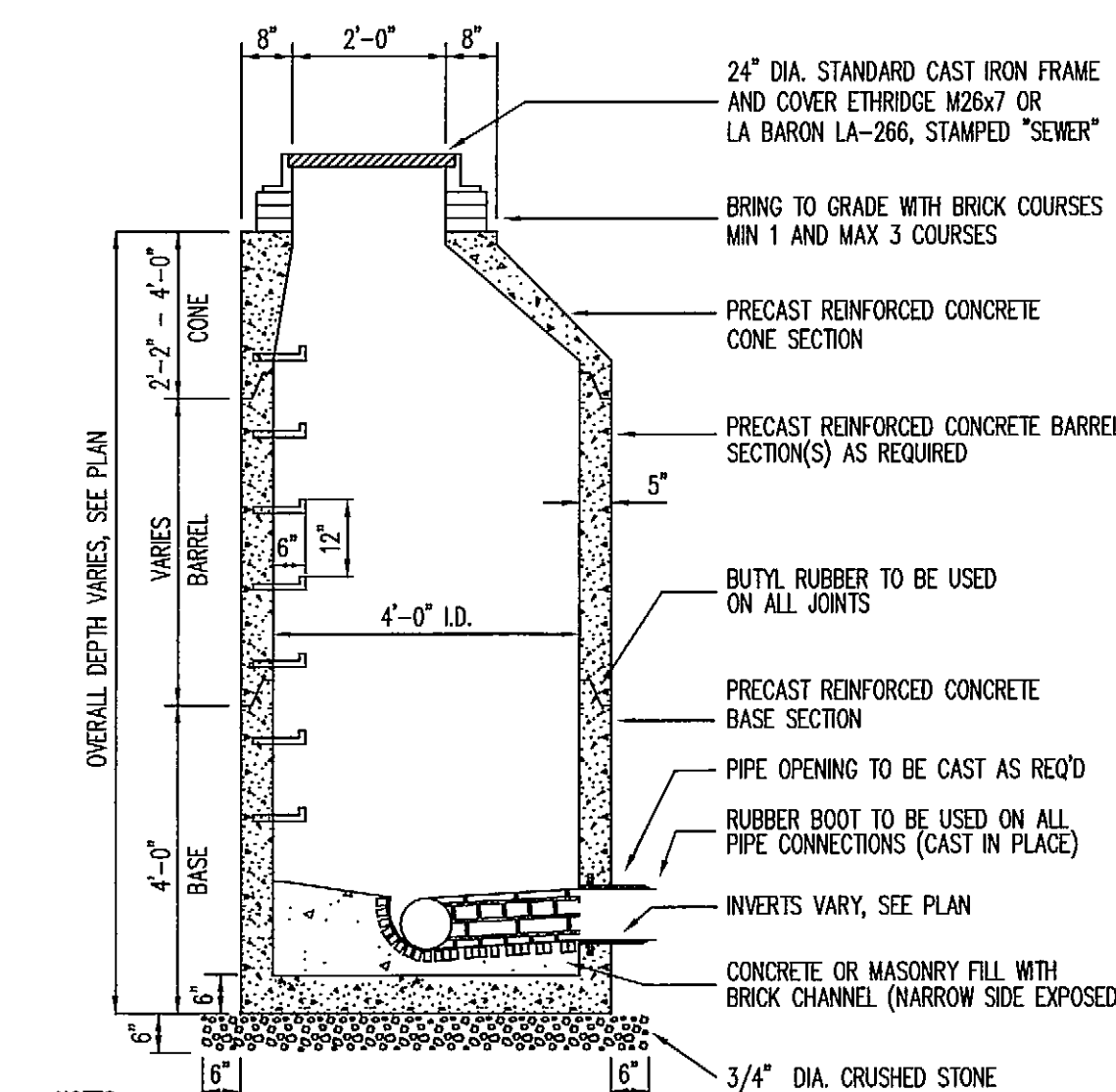
ESTIMATED HEADLOSS*		
AT 0.7 cfs	1.2	INCHES
AT 8.0 cfs	<2	INCHES

6 FIRST DEFENSE TREATMENT MANHOLE (HYDRO INTERNATIONAL)

NOT TO SCALE

5 TYPICAL SEWER SERVICE LEAD CONNECTION

NOT TO SCALE



NOTES:
1. CONCRETE 4000 PSI AFTER 28 DAYS.
2. REINFORCING H-20 LOADING 4x4 / 4x4 W/M.
3. EACH CASTING TO HAVE LIFTING HOLES TO BE FILLED WITH NON-SHRINK MORTAR.
4. MANHOLE STEPS TO BE ALUMINUM OR HIGH IMPACT PLASTIC.
5. APPLY TWO COATS OF BITUMASTIC PAINT ON ALL EXTERIOR SECTIONS.

4 SANITARY SEWER MANHOLE

NOT TO SCALE

Engineers
Architects
986 RIVERSIDE STREET
PORTLAND, MAINE 04103
Voice (207) 878-3313
Fax (207) 878-0201
www.twoinc.com
Two Inc. Consultants, Inc.

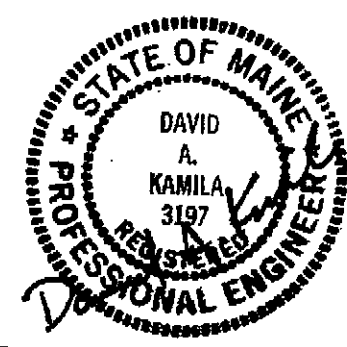
TWO ARCHITECTS
100 COMMERCIAL STREET
PORTLAND MAINE 04101
TELEPHONE 207 775 8141
ARCHITECTURE PLANNING

CHESTNUT STREET LOFTS
29 CHESTNUT STREET, PORTLAND, MAINE 04101
PREPARED FOR
CHESTNUT STREET LOFTS, LLC
ONE INDIA STREET
PORTLAND, MAINE 04101

Revision	Date
ISSUED FOR PRELIMINARY REVIEW	07/19/05
FINAL REVIEW	08/23/05
ADDED TRANSFORMER DETAIL	12/15/05
ISSUED FOR CONSTRUCTION	02/17/06

Designed PLC	Checked PLC	Scale	Date
CAM	PLC	NO SCALE	6-1-05

DETAILS



Job No. 4376
Drawing

C-8