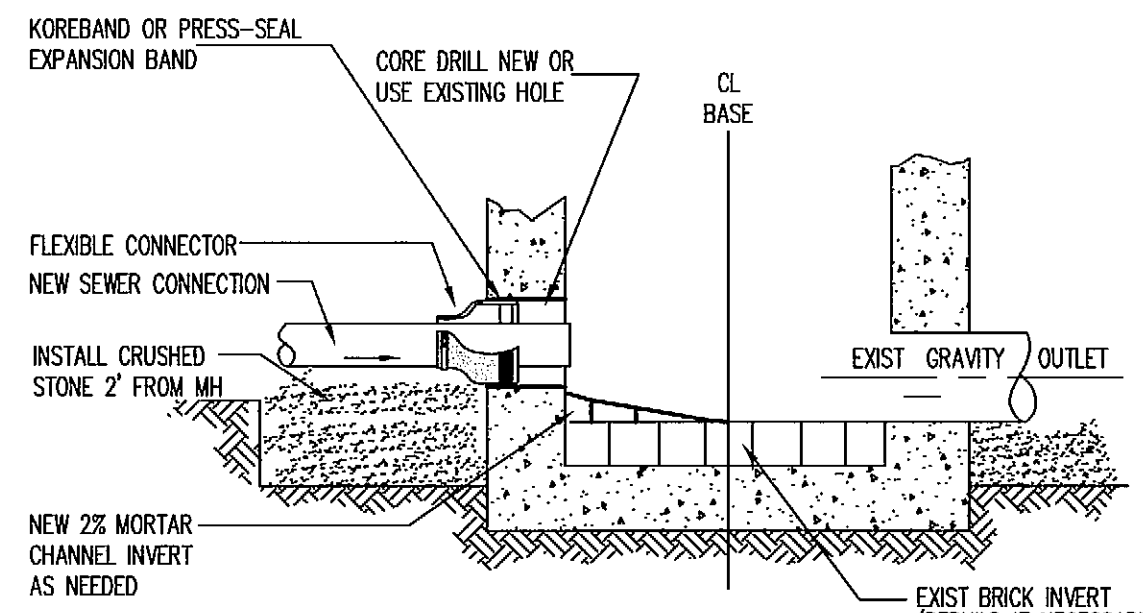


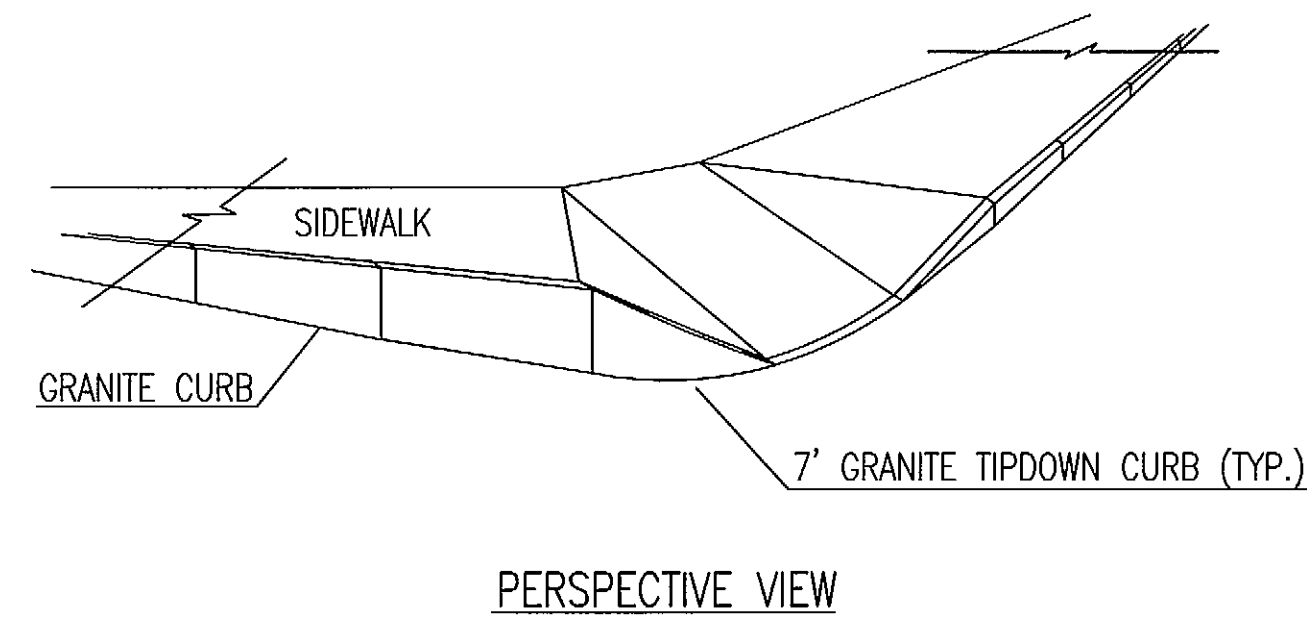
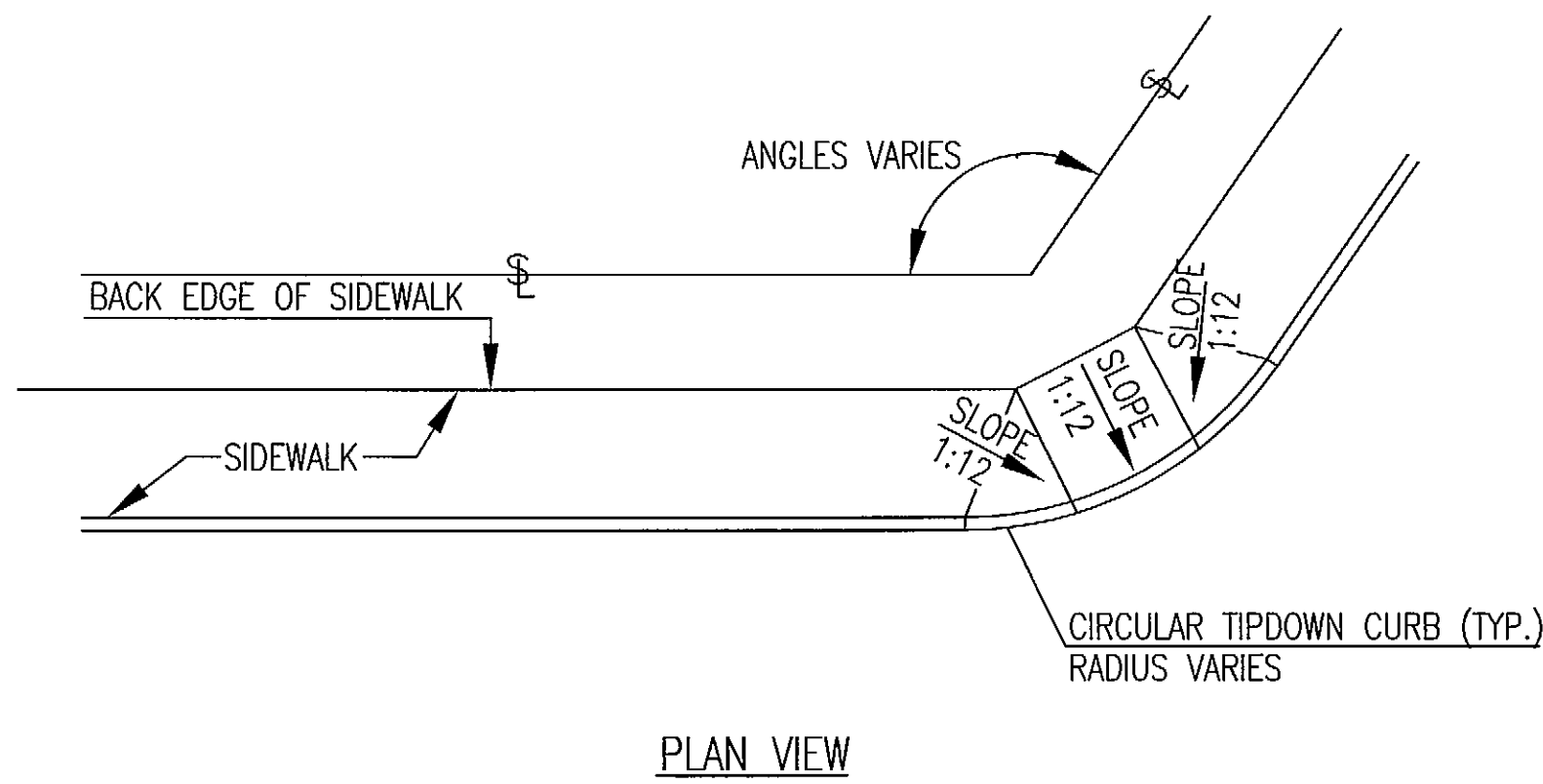
SIZE	A	B	C	D	E	F	G	H
6 IN.	5 1/2	13 3/8	13 3/8	5 3/8	5 7/8	11 5/8	6 1/2	7 1/4
8 IN.	7 1/2	15	15 3/8	5 1/2	5 3/8	13 3/4	8 3/4	9 3/8
10 IN.	9 1/2	16	16 1/4	6	4 1/2	14 1/8	11 1/2	12 3/8
12 IN.	11 1/2	17	17	8	3 1/2	17	12 1/2	13 3/8

NOTE - SEE PLANS FOR SIZE AND LOCATION

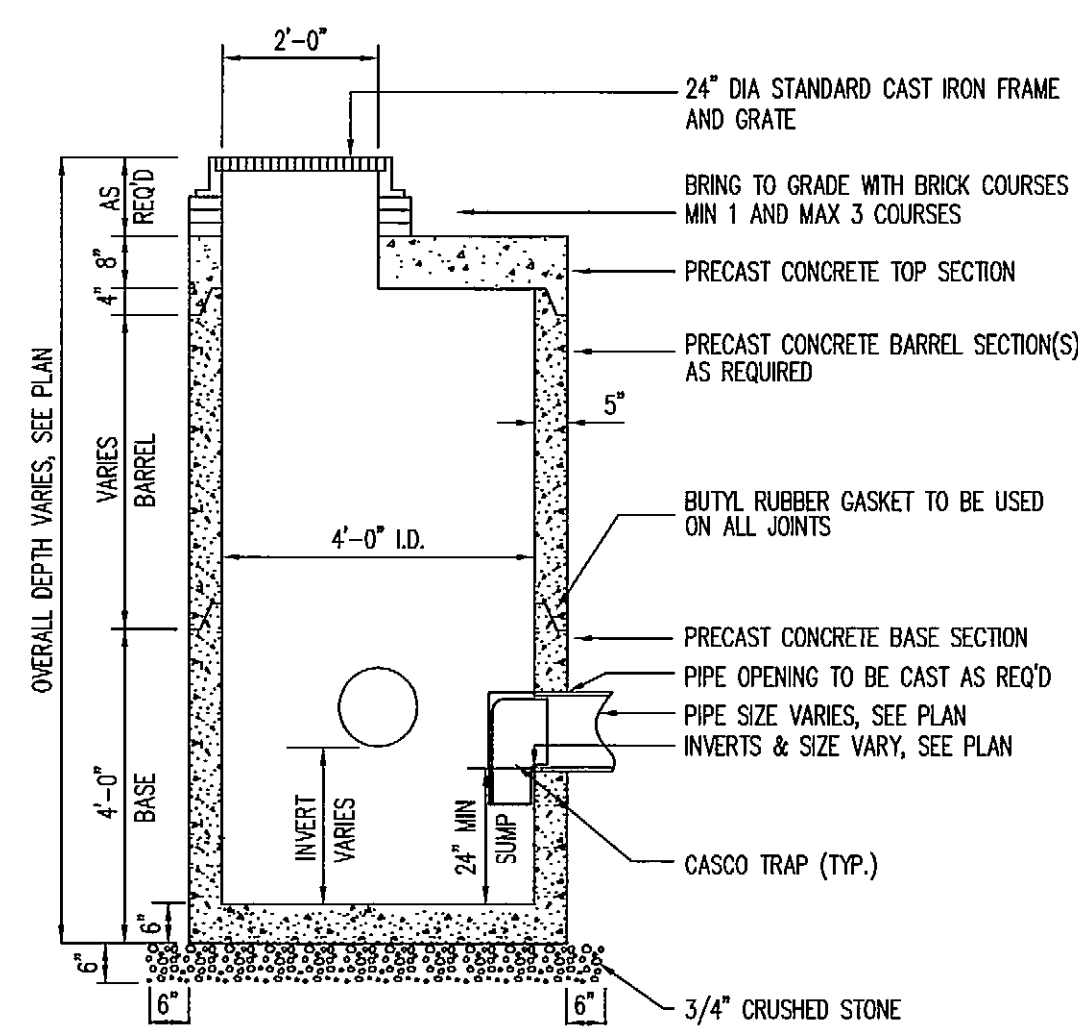
13 CASCO TRAP
NOT TO SCALE



12 FLEXIBLE CONNECTION TO EXISTING MANHOLE
NOT TO SCALE

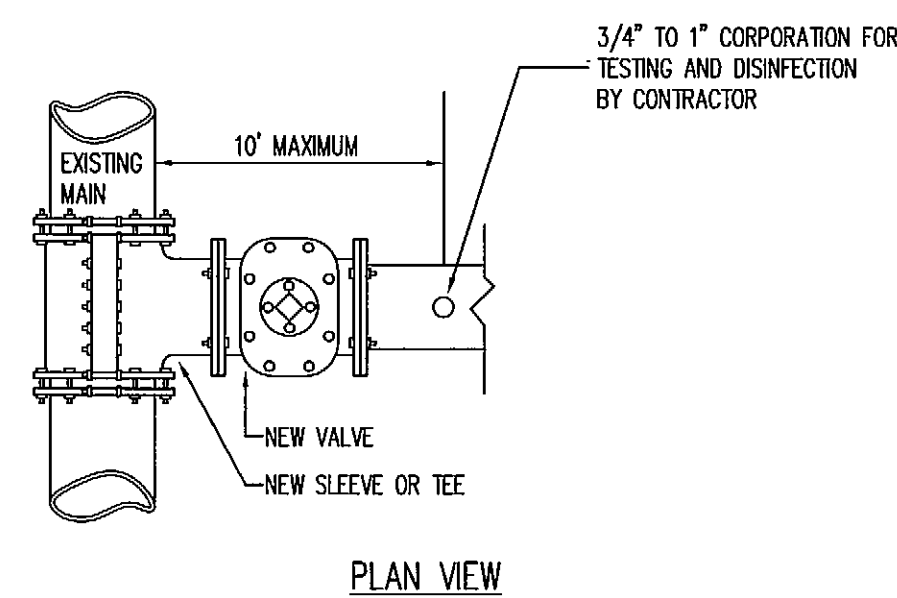


11 PEDESTRIAN RAMP @ STREET CORNER
NOT TO SCALE



- NOTES:
1. CONCRETE 4000 PSI AFTER 28 DAYS.
2. REINFORCING #1-20 LADING 4x4 / 4x4 MIN. SLAB TOP - NO. 5 BARS.
3. EACH CASTING TO HAVE LIFTING HOLES TO BE FILLED WITH NON-SHRINK MORTAR.

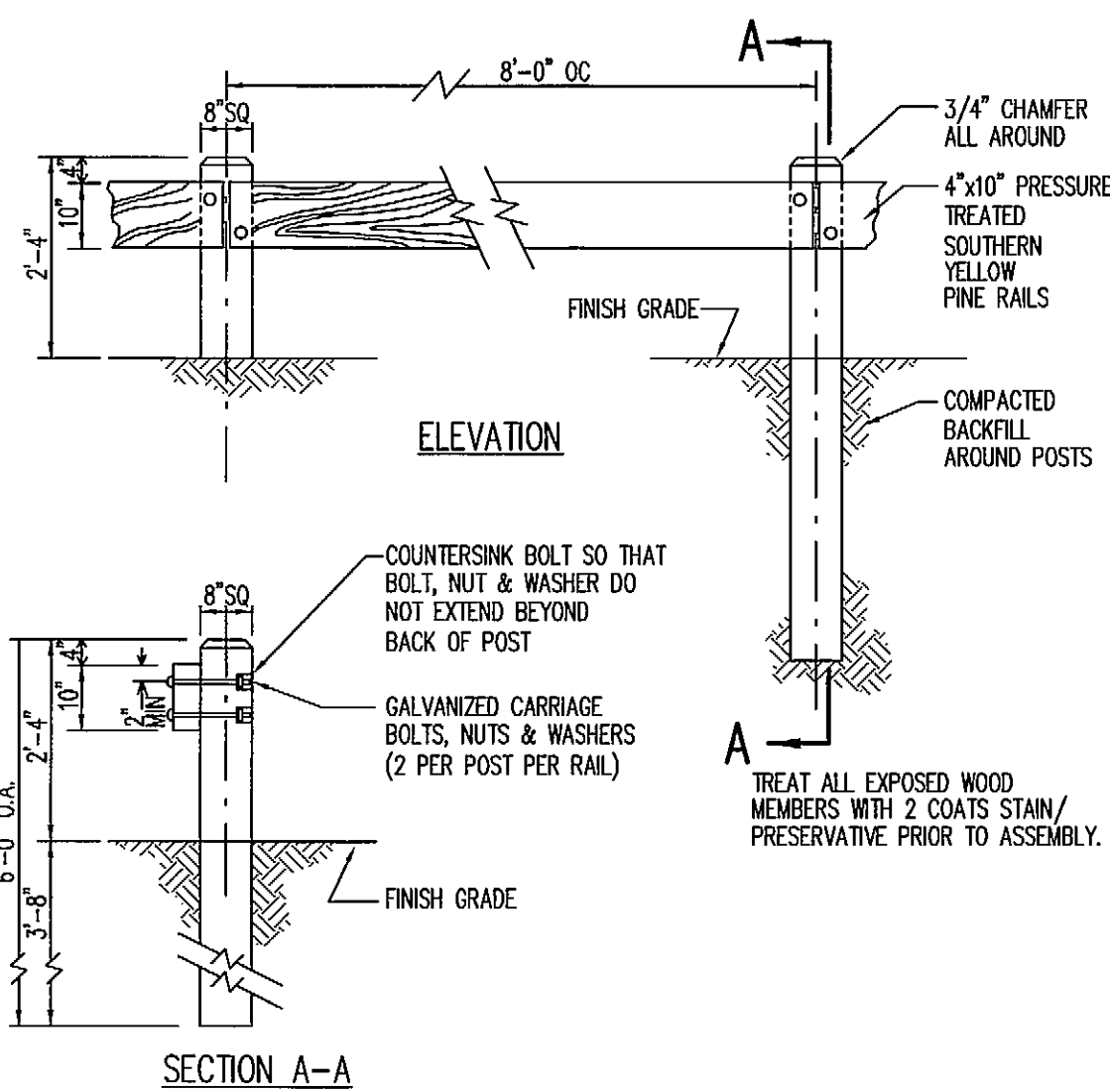
10 PRECAST CONCRETE CATCH BASIN-FLAT TOP
NOT TO SCALE



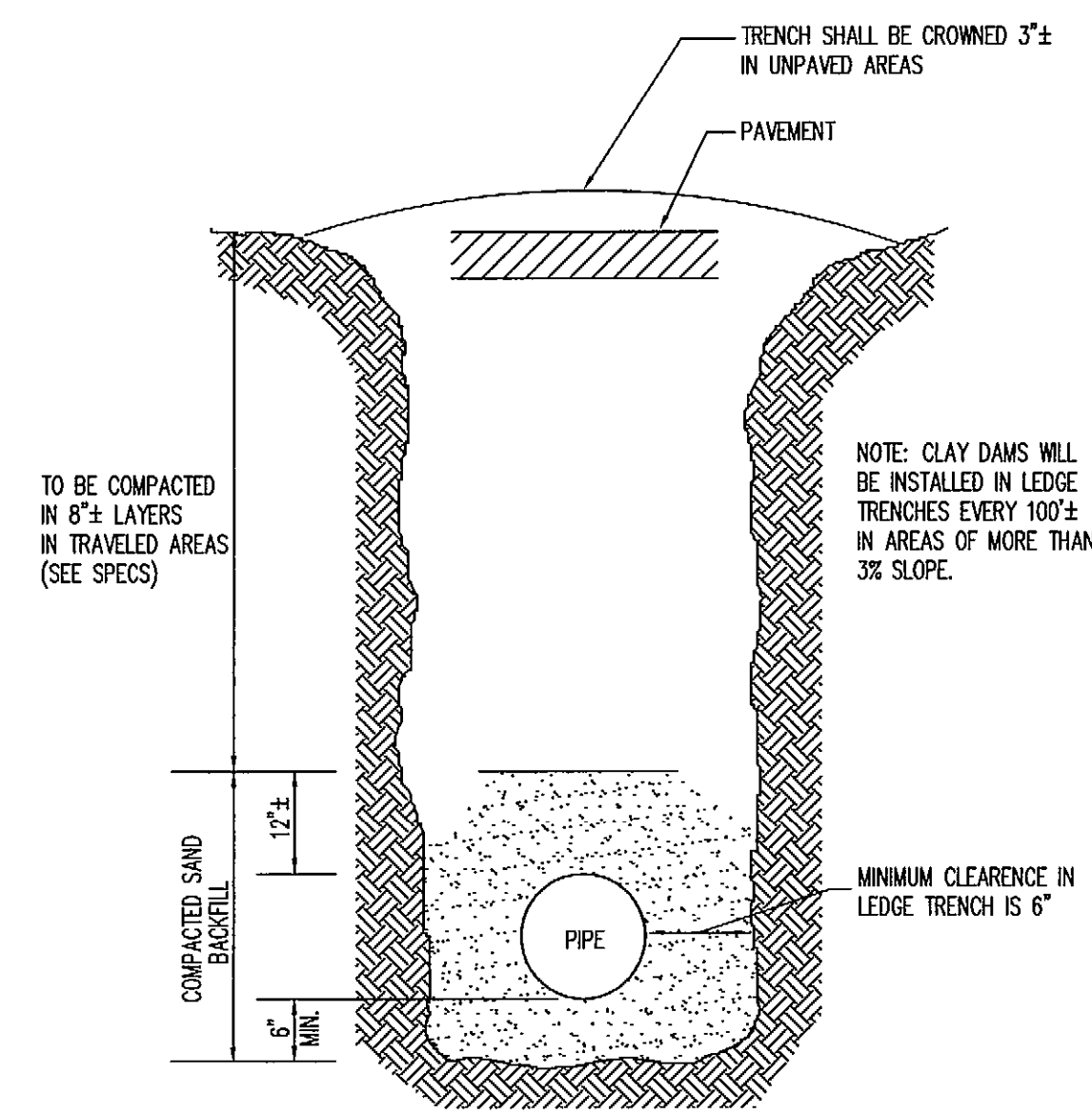
PROCEDURES:

1. NEW VALVE TO REMAIN SHUT AND ONLY OPERATED BY DISTRICT FOR FLUSHING, TESTING, DISINFECTING, ETC.
2. THE TESTING CORPORATION LOCATION MUST BE ACCESSIBLE BY:
 - A. LEAVING THE EXCAVATION OPEN DURING TESTING - DISINFECTION PERIOD, OR BY:
 - B. INSTALLING A "JUMPER LINE" TO THE GROUND SURFACE WITH THE CORPORATION BEING AN ANGLE VALVE IN A VALVE BOX, OR BY USING A SERVICE BOX AND ROD. AFTER COMPLETION OF THE HYDROSTATIC TEST AND THE DISINFECTING PROCEDURE:
 - (1) THE ANGLE VALVE IS SHUT,
 - (2) THE "JUMPER LINE" IS CUT OFF BELOW THE GROUND, AND
 - (3) THE BOX IS PULLED.

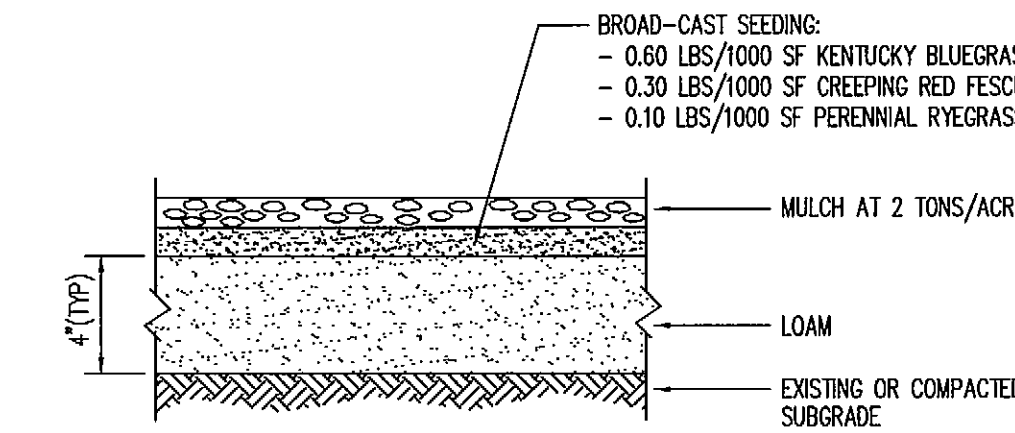
9 NEW WATER MAIN CONNECTION TO EXISTING MAIN
NOT TO SCALE



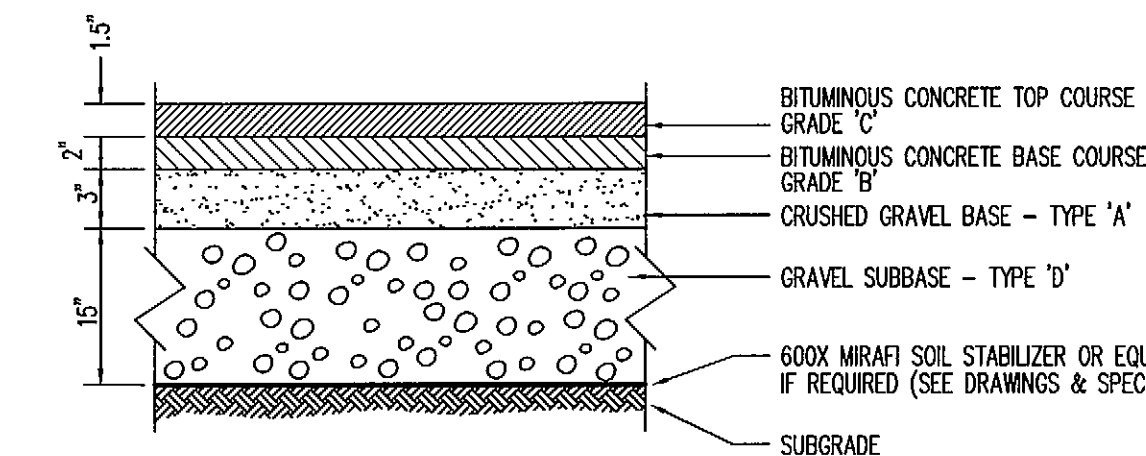
8 TIMBER GUARDRAIL
NOT TO SCALE



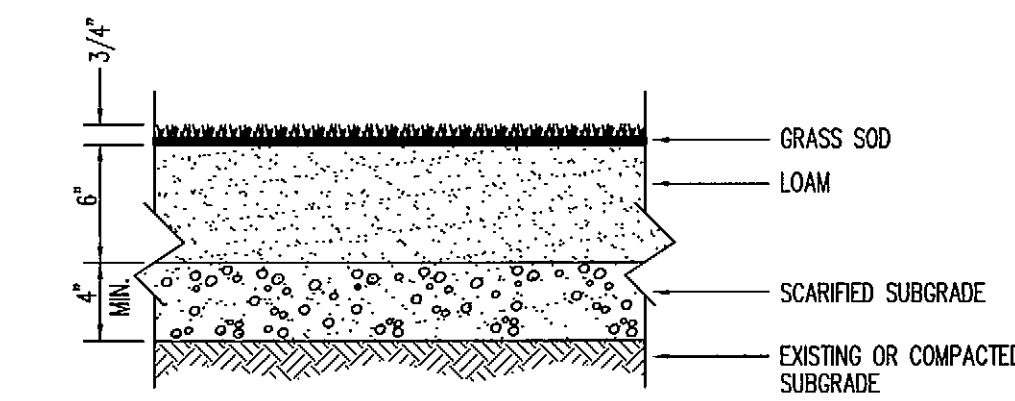
7 SECTION THRU LEDGE TRENCH
NOT TO SCALE



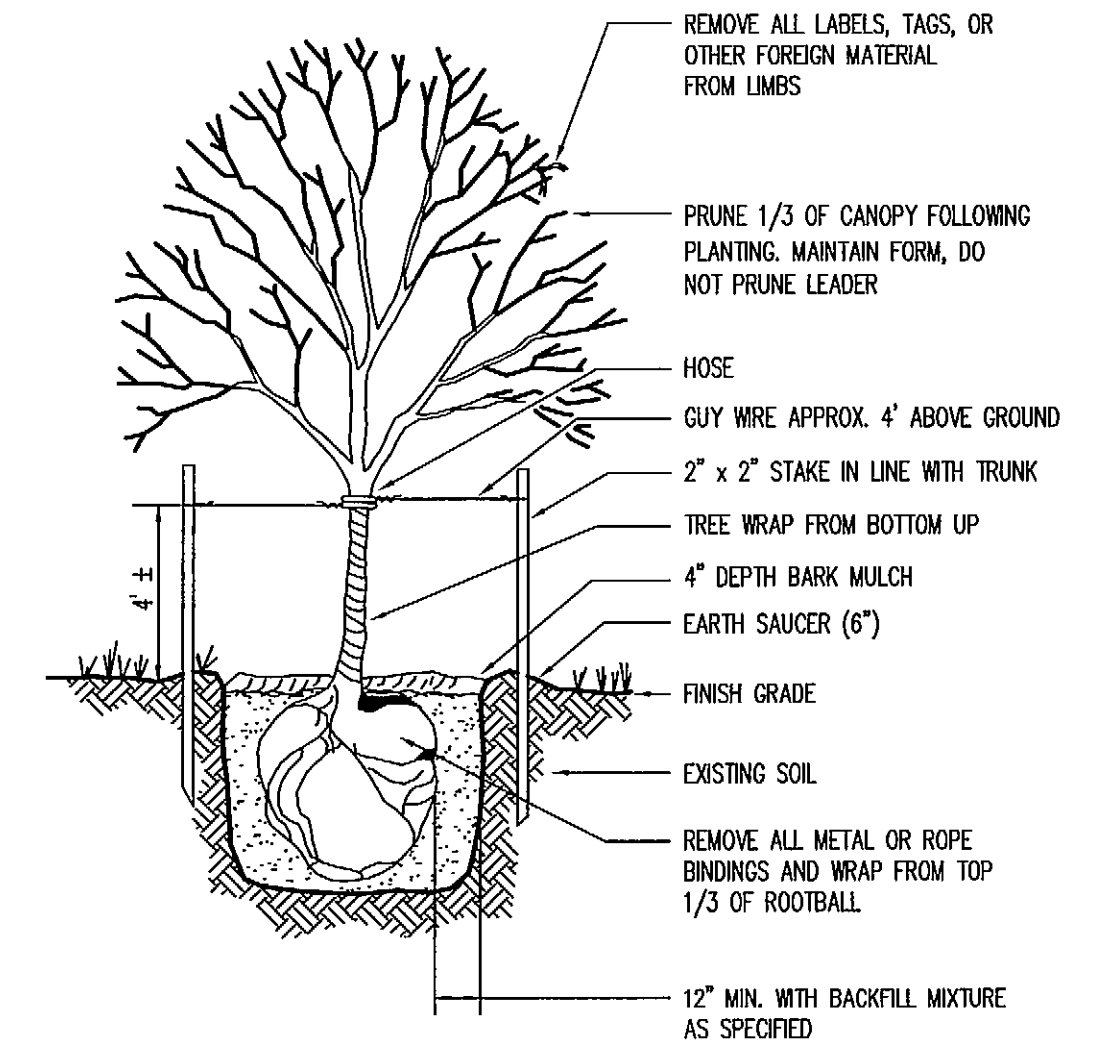
6 LOAM & SEED
NOT TO SCALE



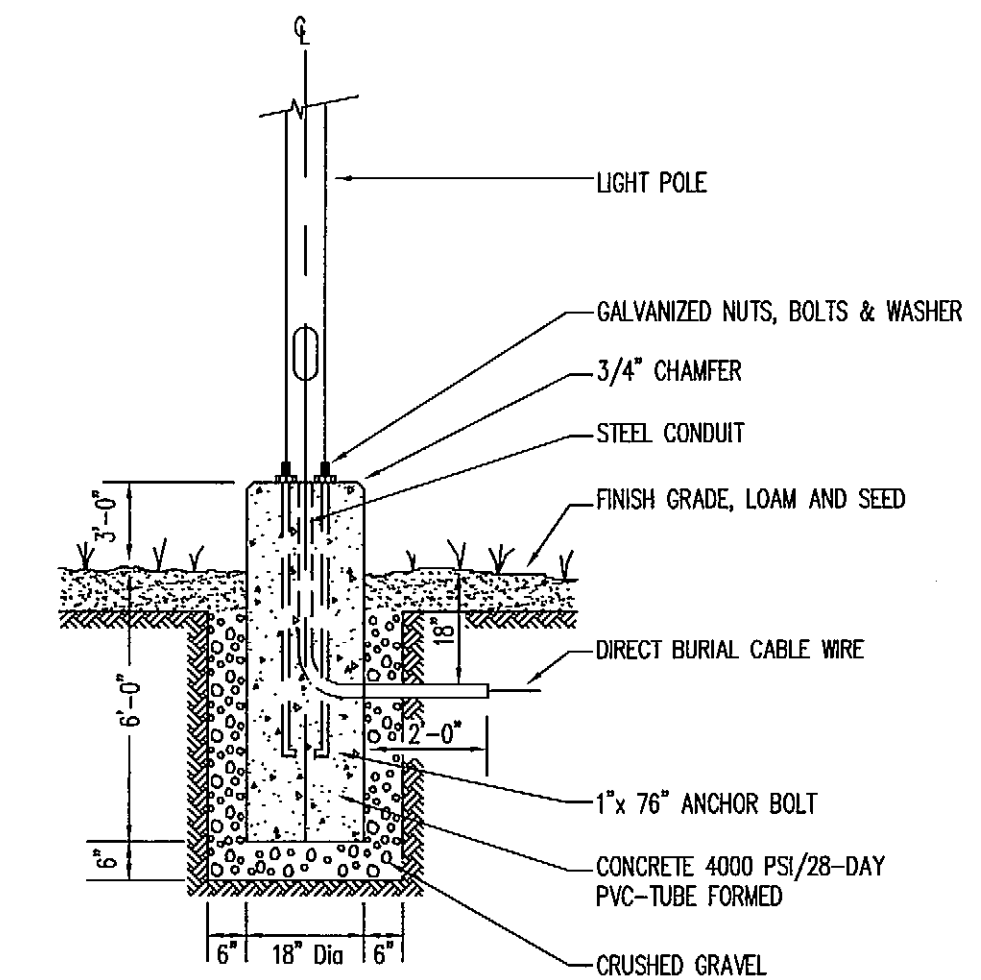
5 NEW BITUMINOUS CONCRETE DRIVE & PARKING
NOT TO SCALE



4 GRASS SOD
NOT TO SCALE

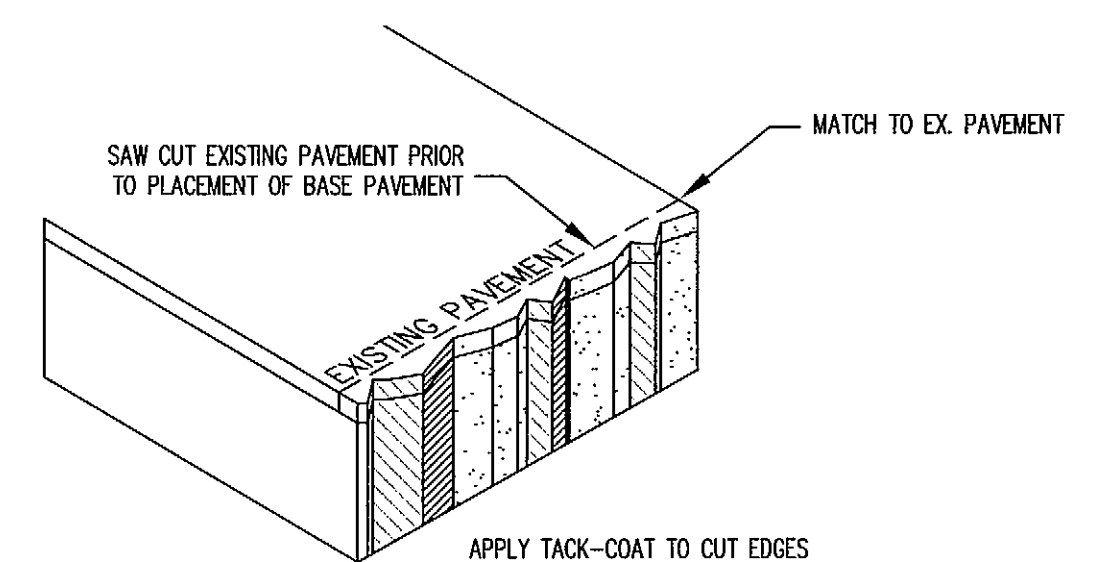


3 DECIDUOUS TREE PLANTING DETAIL
NOT TO SCALE



- NOTES:
1. SUBMIT SHOP DRAWING FOR APPROVAL PRIOR TO INSTALLATION.
2. COORDINATE WITH ELECTRICAL SPECIFICATIONS.
3. COLD-GALVANIZE ALL CUTS.
4. FORM WITH FIBERGLASS OR PVC SMOOTH-FACED FORMS.

2 CONCRETE LIGHT POLE BASE
NOT TO SCALE



1 PAVEMENT SAW-CUT
NOT TO SCALE

Architects
Architects
Portland, Maine 04101
Tel: (207) 878-3313
Fax: (207) 878-0201
www.tfw.com
TFW ARCHITECTS
100 COMMERCIAL STREET
PORTLAND MAINE 04101
TELEPHONE 207 775 8141
ARCHITECTURE PLANNING

CHESTNUT STREET LOFTS
29 CHESTNUT STREET, PORTLAND, MAINE 04101
PREPARED FOR:
CHESTNUT STREET LOFTS, LLC
ONE INDIA STREET
PORTLAND, MAINE 04101

Revision	Date
ISSUED FOR PRELIMINARY REVIEW	07/19/05
NO CHANGES SHEET REV ONLY	12/16/05
ISSUED FOR CONSTRUCTION	2/17/06

Designed PLC	Scale	Date
CAM	NO SCALE	6-1-05

Job No. 4376
Drawing

