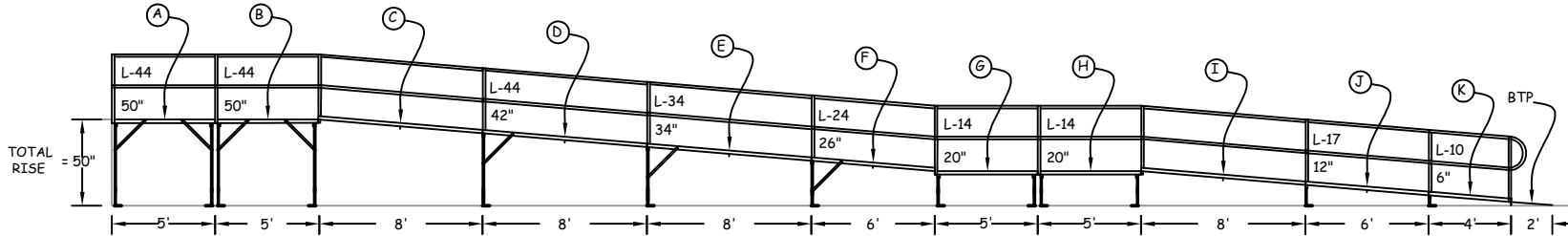
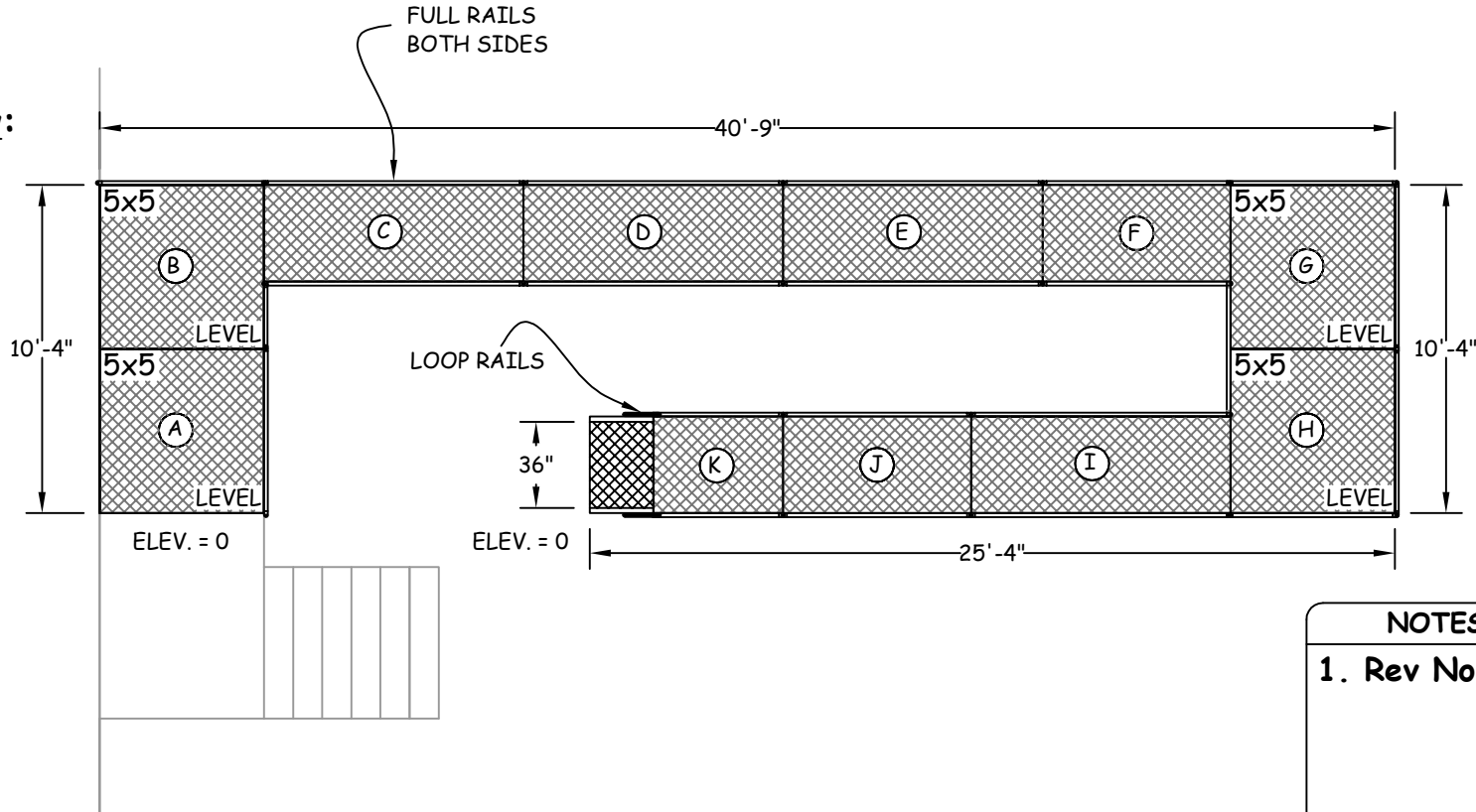


**Side View:**

Slope = 50" RISE / 50' RAMP  
**1.0" RISE/ 'RAMP**



**Top View:**



**NOTES**  
 1. Rev None

Job Name:  
**Veligor/  
 Portland,  
 ME**

Location:  
**Amramp  
 NH ME**

Requested:  
**Mark R.**

Phone:  
**603-491-1470**

Fax:

Date:  
**8-9-17**

Zip:  
**03301**

Drawn By:  
**Jon**

Checked By:  
**James**

Job Number: