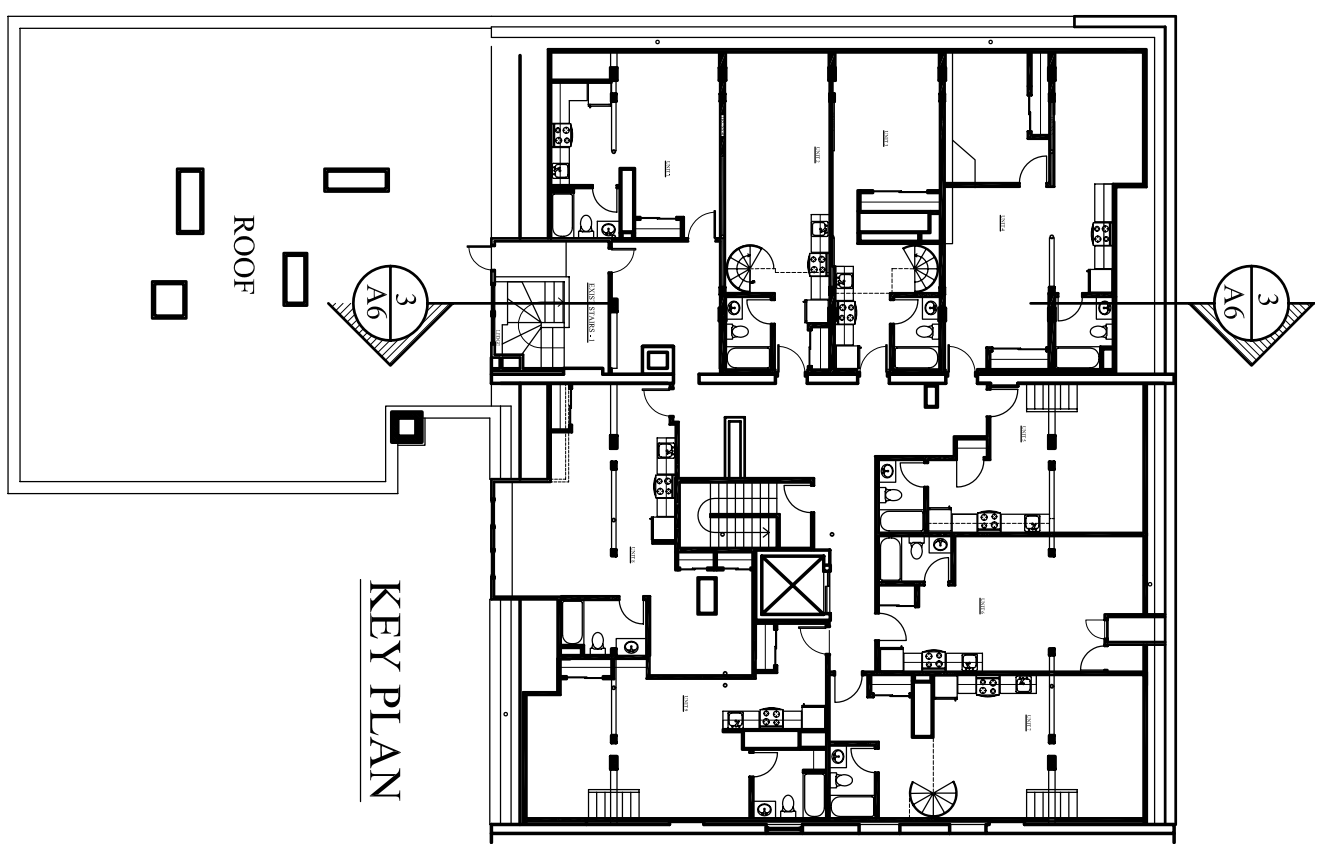
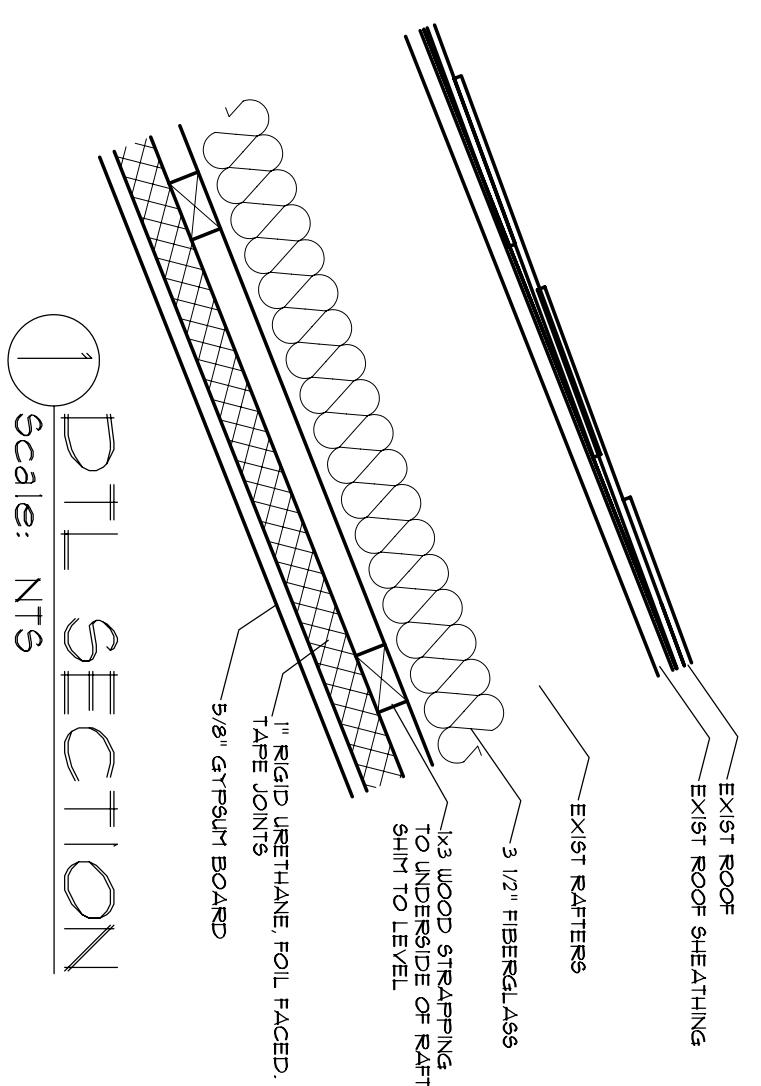


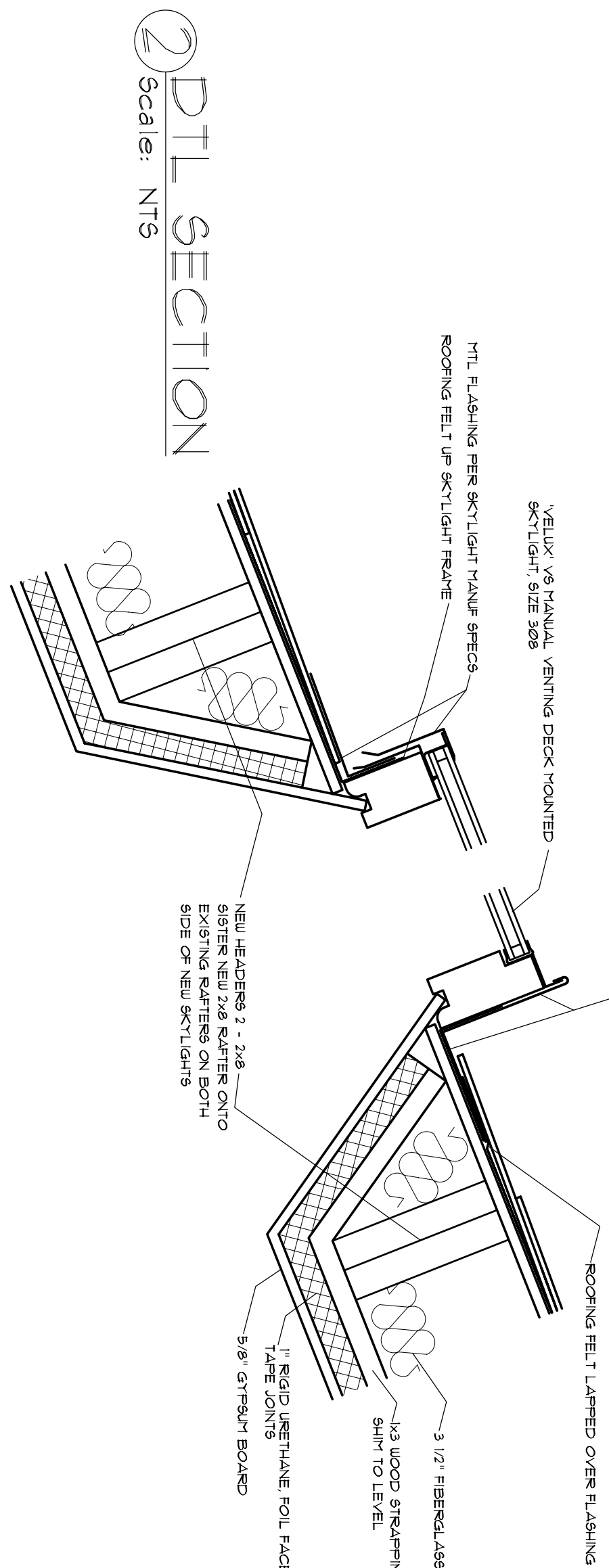
3 SECTION THROUGH 5th FLOOR



KEY PLAN

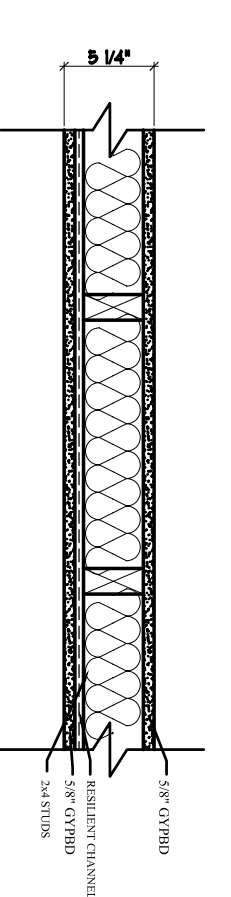


1 DTL SECTION  
Scale: NTS

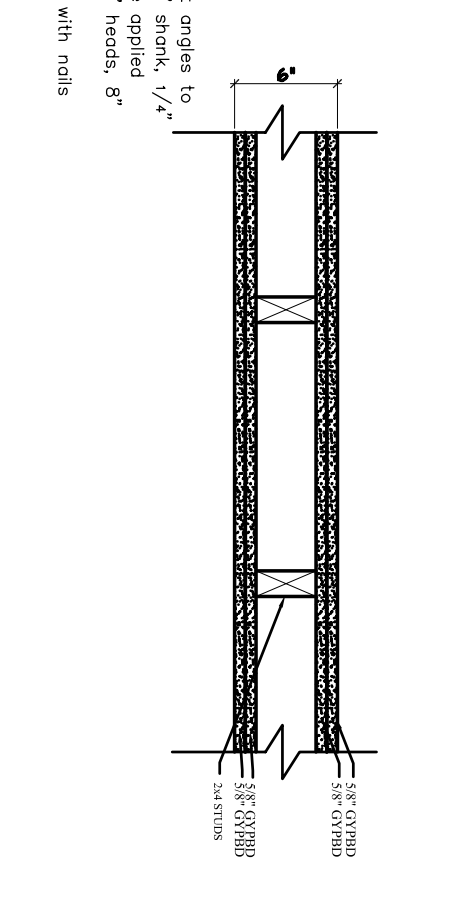


2 DTL SECTION  
Scale: NTS

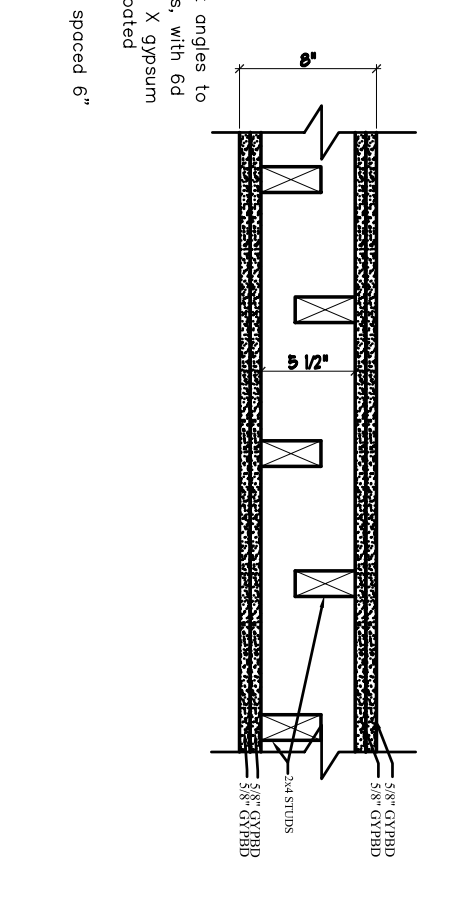
**W1**  
 CA FILE NO. WP 3240 PROPRIETARY 1 HOUR FIRE 50 TO 54 FSTC SOUND  
 Thickness: 5 1/2" net  
 Fire Test: UL R1310-93, 94, 126, 96-10-96, U311, 96-10-96, U311, UIC Energy U311, IBM TROST, 9-13-78, GYPSUM WALLBOARD, RESIDENT CHANNELS, MINERAL FIBER INSULATION, WOOD STUDS  
 Gypsum wallboard shall be applied to one side of 2 x 4 wood studs 16" or 24" o.c. with 1/2" Type S gypwall screws. One layer 5/8" proprietary Type X gypsum wallboard or gypsum veneer base applied parallel to channels with 1" Type S gypwall screws. 2 1/2" or 2 3/4" rigid insulation. 3" mineral fiber insulation. One layer 5/8" proprietary Type X gypsum wallboard or gypsum veneer base applied at right angles to studs with 1/2" Type S gypwall screws. 1/2" o.c. and open face of mineral fiber insulation blankets toward resilient channel-side of stud space. Proprietary Gypsum Board - 5/8" SHEETROCK Brand Gypsum Panels, FIRECODE C Core



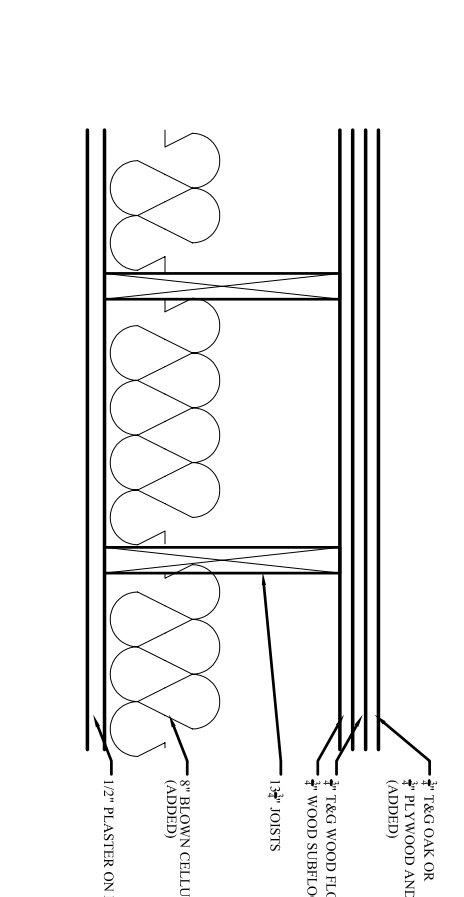
**W2**  
 CA FILE NO. WP 4135 GENERIC 2 HOUR FIRE 40 TO 44 STC SOUND  
 Thickness: 6 1/2" net  
 Fire Test: NFPA 285, 9-27-74  
 Approx. Weight: 13 psf  
 Fire Test: See WP 4135  
 Sound Test: IBC 2263, 4-1-70  
 Sound Test: IBC 2263, 4-1-70  
 Base layer 1/2" Type X gypsum wallboard or gypsum veneer base applied at right angles to each side of 2 x 4 wood studs 24" o.c. with 6d coated nails, 1 1/2" long, 0.085" thick, 1/4" o.c. wood studs 24" o.c. gypsum wallboard or gypsum veneer base applied at right angles to studs with 1/2" Type S gypwall screws. 1/2" o.c. and open face of mineral fiber insulation blankets toward resilient channel-side of stud space. Proprietary Gypsum Board - 5/8" SHEETROCK Brand Gypsum Panels, FIRECODE C Core



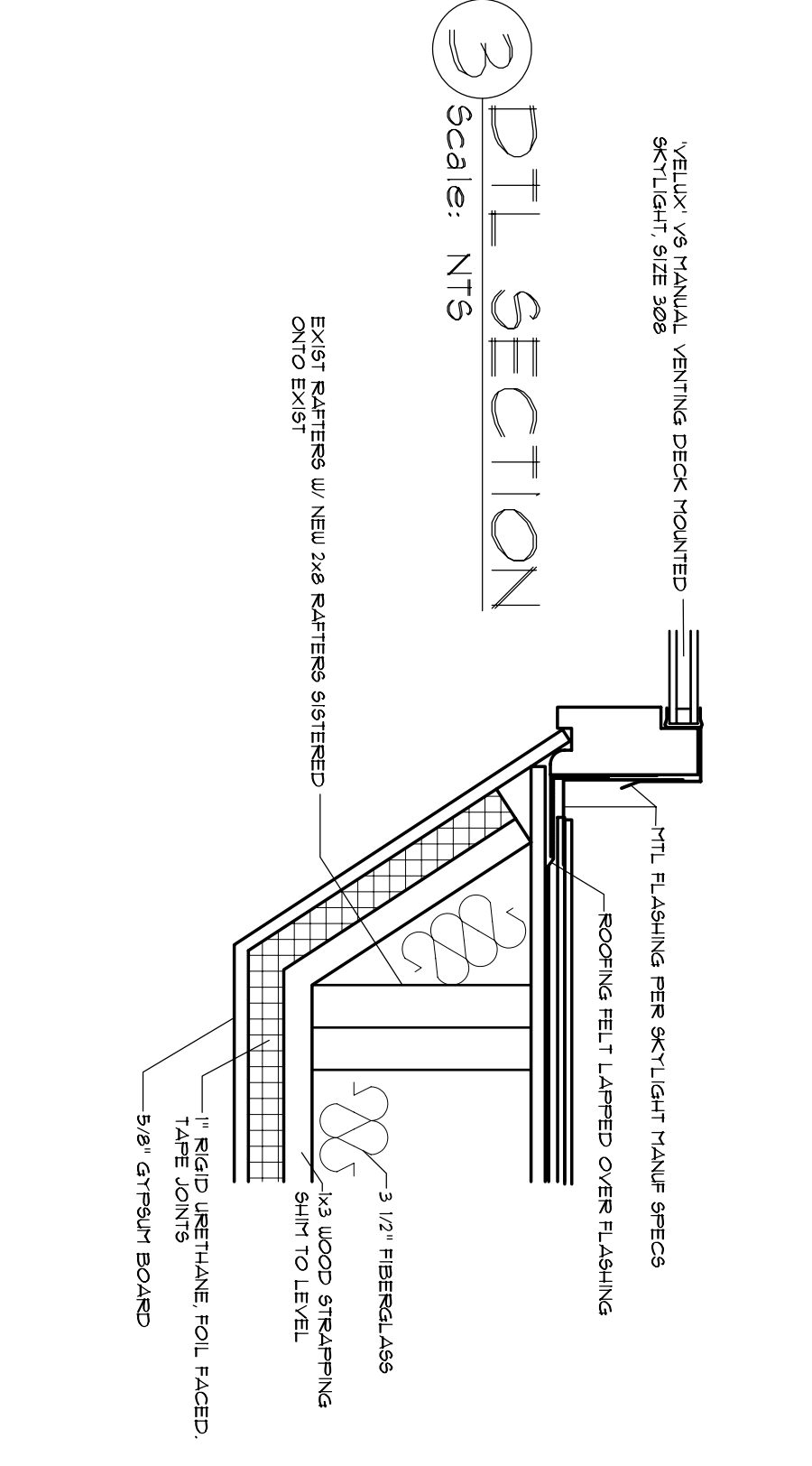
**W3**  
 CA FILE NO. WP 3910 GENERIC 2 HOUR FIRE 50 TO 54 STC SOUND  
 Thickness: 13 psf  
 Fire Test: See WP 4135  
 Sound Test: IBC 2272, 5-19-70  
 GYPSUM WALLBOARD, WOOD STUDS  
 Gypsum wallboard or gypsum veneer base applied at right angles to each side of 2 x 4 wood studs 16" o.c. staggered 8" o.c. on 2 x 6 wood studs, with 6d coated nails, 1 1/2" long, 0.085" thick, 1/4" thick, 24" o.c. Base layer 5/8" Type X gypsum wallboard or gypsum veneer base applied at right angles to studs with 1/2" Type S gypwall screws. 1/2" o.c. and open face of mineral fiber insulation blankets toward resilient channel-side of stud space. Proprietary Gypsum Board - 5/8" SHEETROCK Brand Gypsum Panels, FIRECODE C Core



**F1**  
 EXISTING FLOOR/CEILING ASSEMBLY  
 DECORAL LOSS = 40-45dB  
 (Based on similar assembly - see "Masonry Products Technical Wall Information" presented by Miami Masonry Guild, Inc.)  
 Fin Fir 3" T&G wood flooring  
 Subfloor 3/4" Wood sub flooring  
 13/8" joists with 8" blown cellulose insulation in between joists  
 1/2" cement plaster on lath ceiling



3 DTL SECTION  
Scale: NTS



Date 7/31/06	Scale 1/4" = 1'-0"	Project: <b>THE METROPOLITAN</b> 439 CONGRESS ST 439 CONGRESS ST PORTLAND, ME	OWNER: <b>METROPOLITAN APARTMENTS, LLC</b> C/O PORT PROPERTY MANAGEMENT 104 GRANT STREET PORTLAND, ME 04101