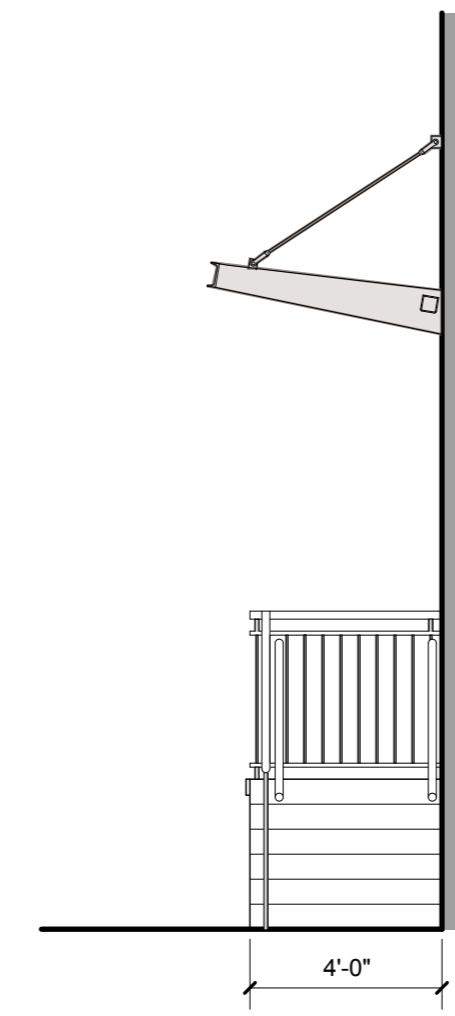


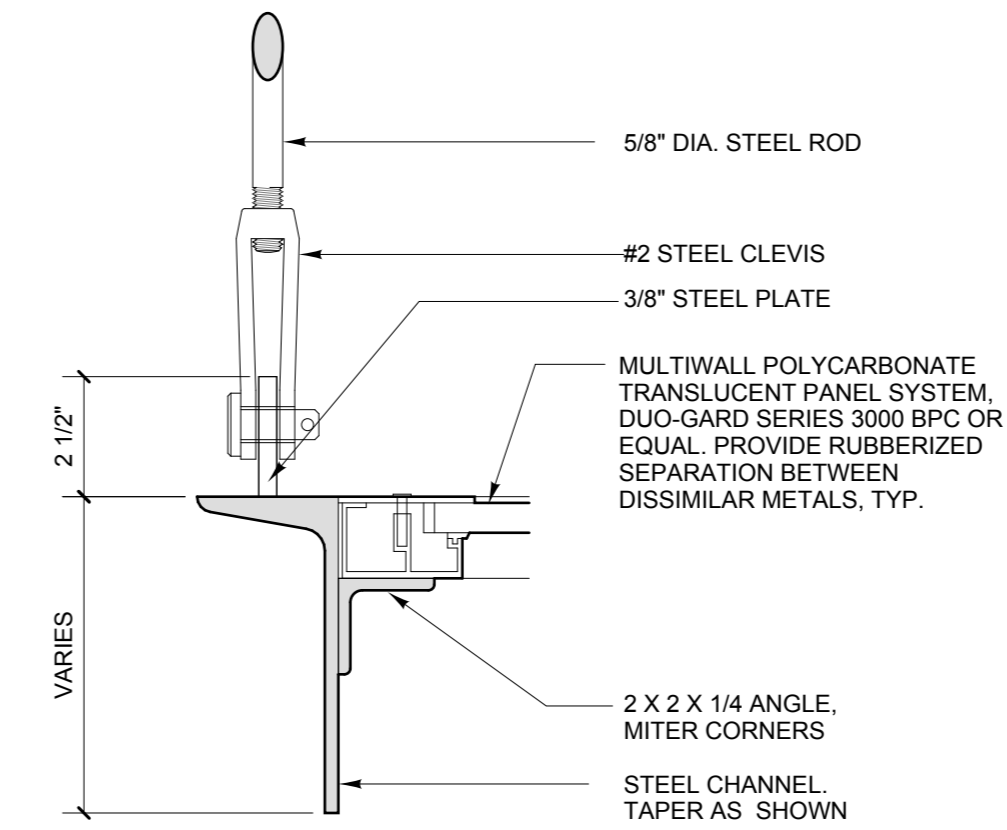
3 ENTRY CANOPY SECTION DETAIL
 3" = 1'-0"



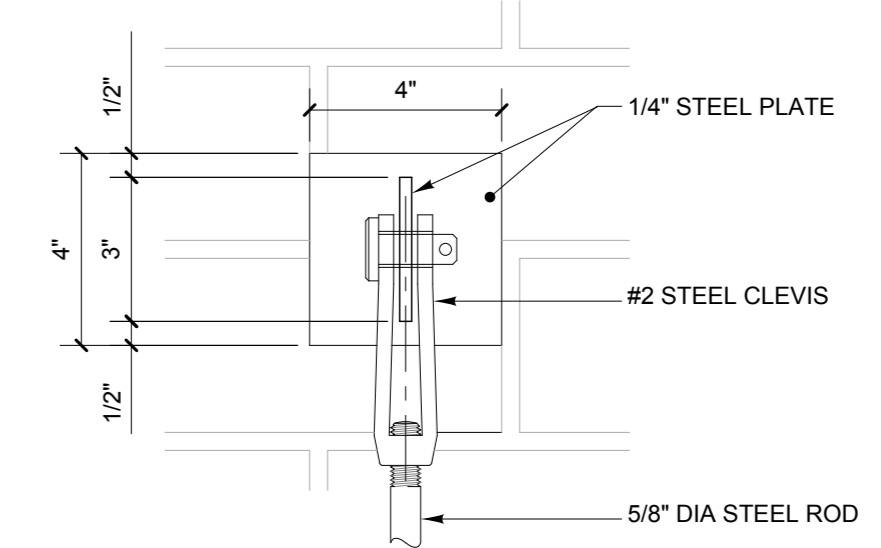
2 CANOPY WEST ELEVATION
 1/4" = 1'-0"



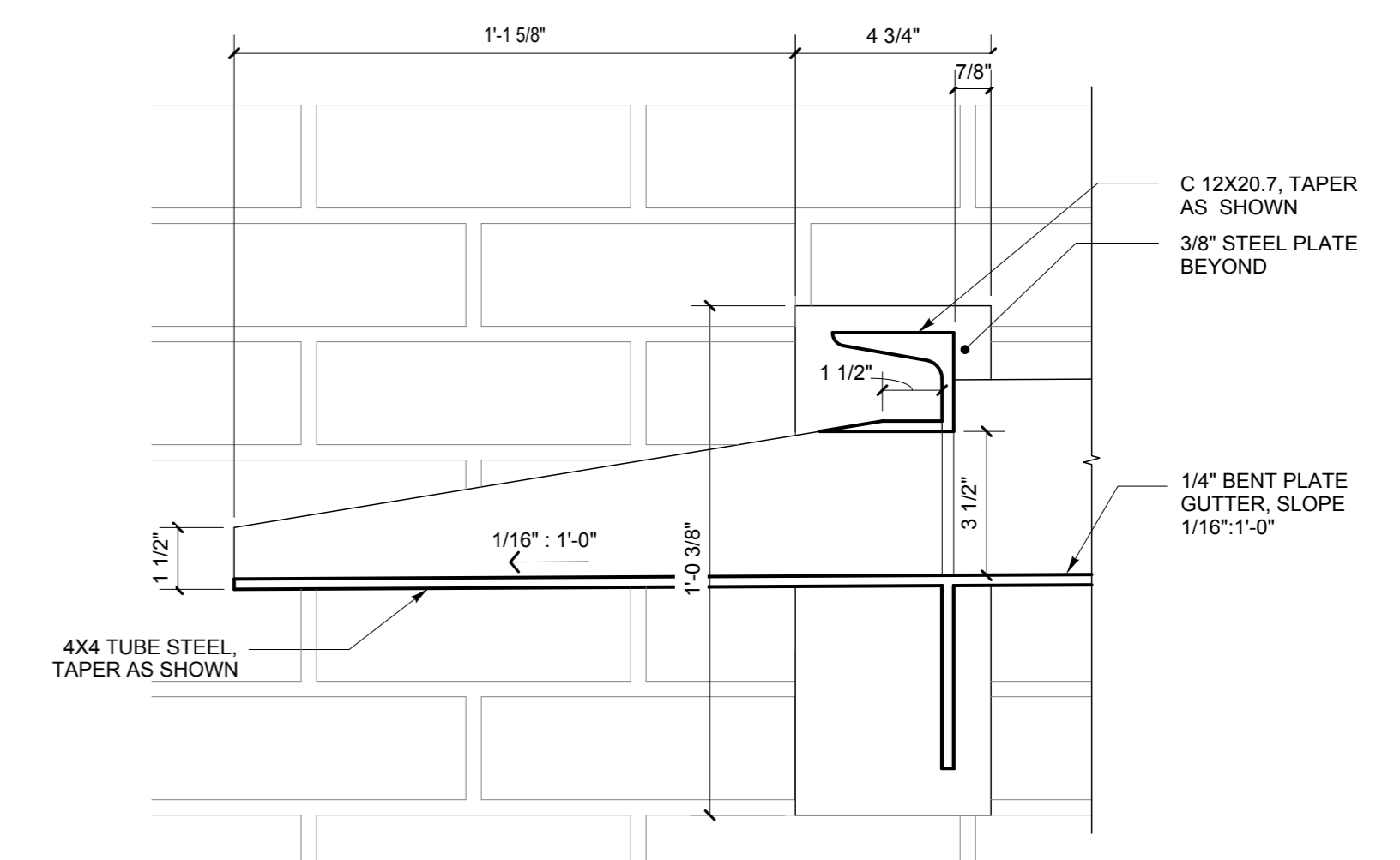
1 CANOPY NORTH ELEVATION
 1/4" = 1'-0"



4 CANOPY FRAME DETAIL
 3" = 1'-0"



5 CANOPY FRAME DETAIL
 3" = 1'-0"



6 CANOPY FRAME DETAIL
 3" = 1'-0"

PLANNING BOARD
 SUBMISSION
 01/08/16

Structural Engineer
 Strucutral Integrity
 Consulting Engineers, Inc.

Mechanical / Electrical
 Engineer
 Bennett Engineering

Owner
 JJR 443 Congress, LLC

443 Congress

Portland, Maine

North Entrance
 Canopy Detail

scale as shown

A 3.1

January 08, 2016