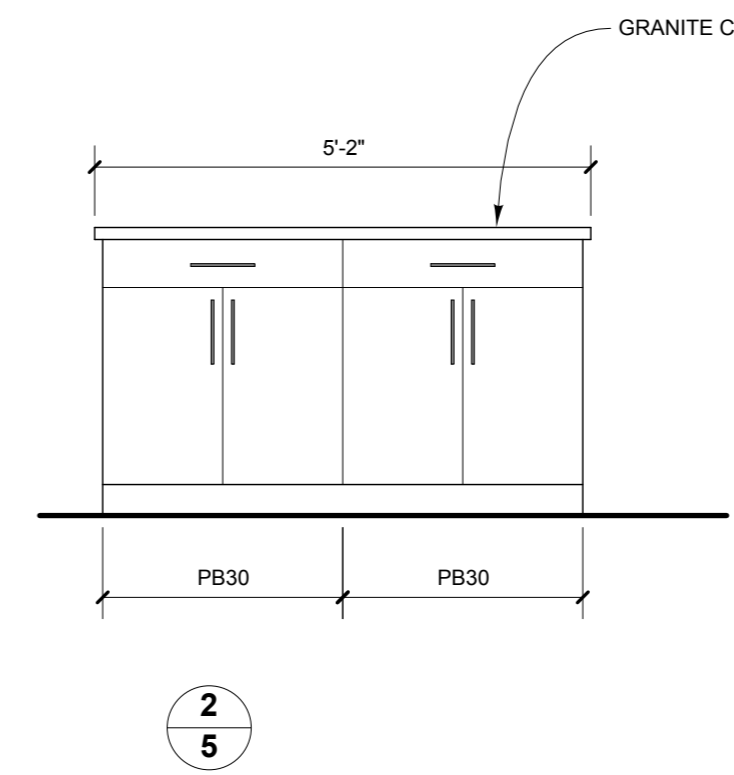
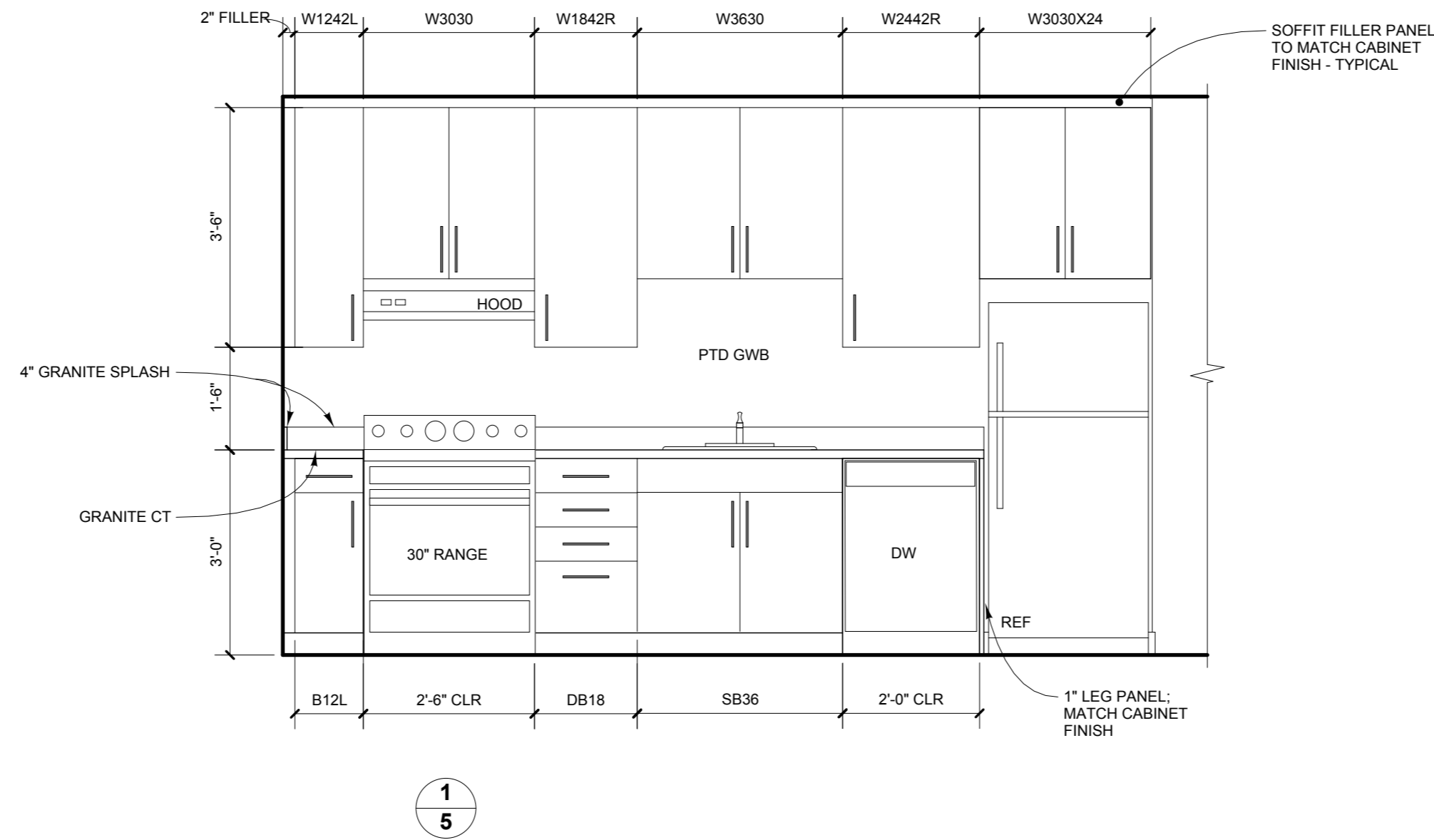
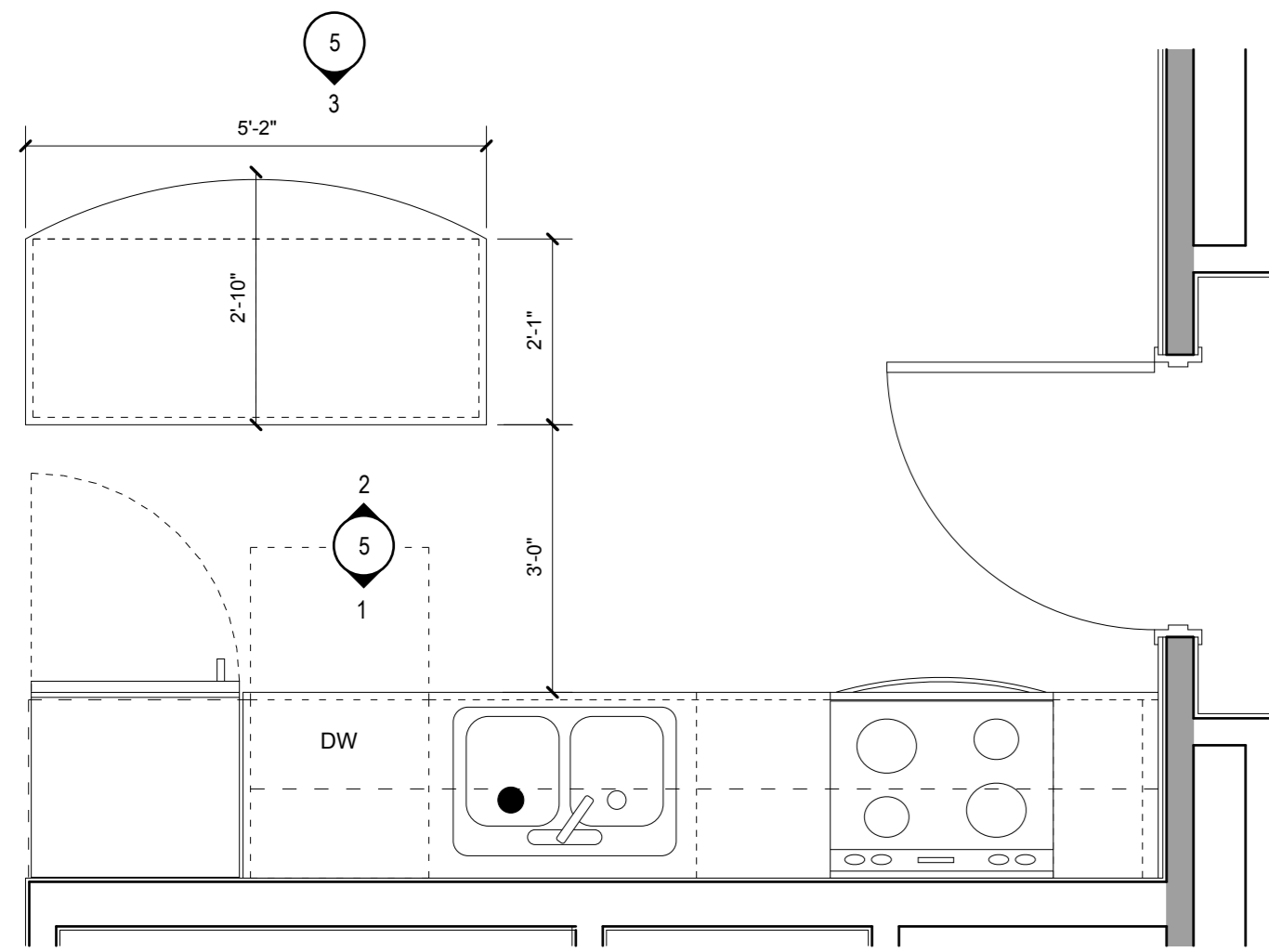
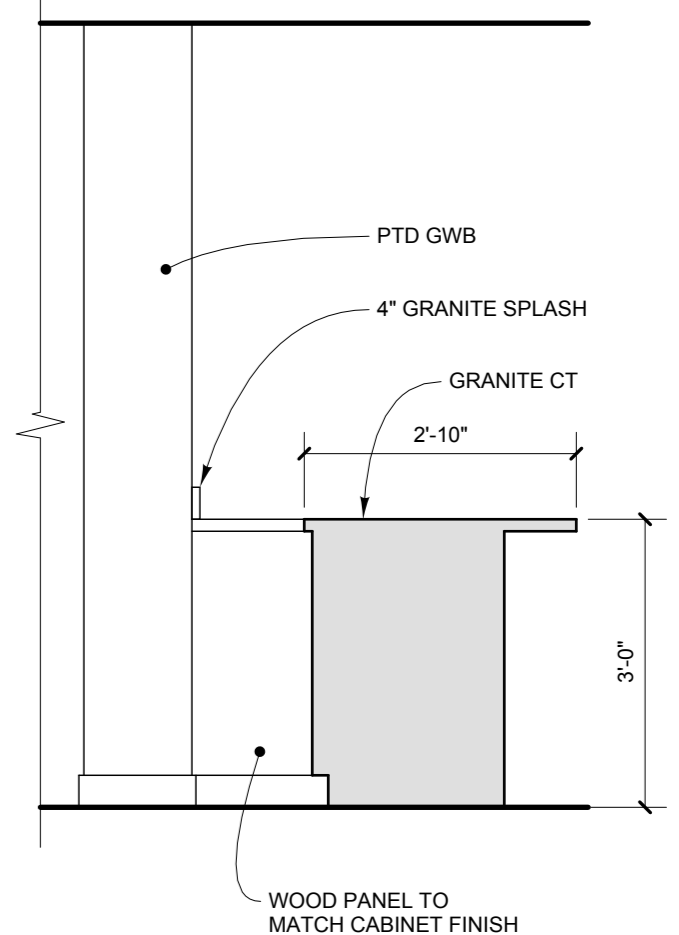
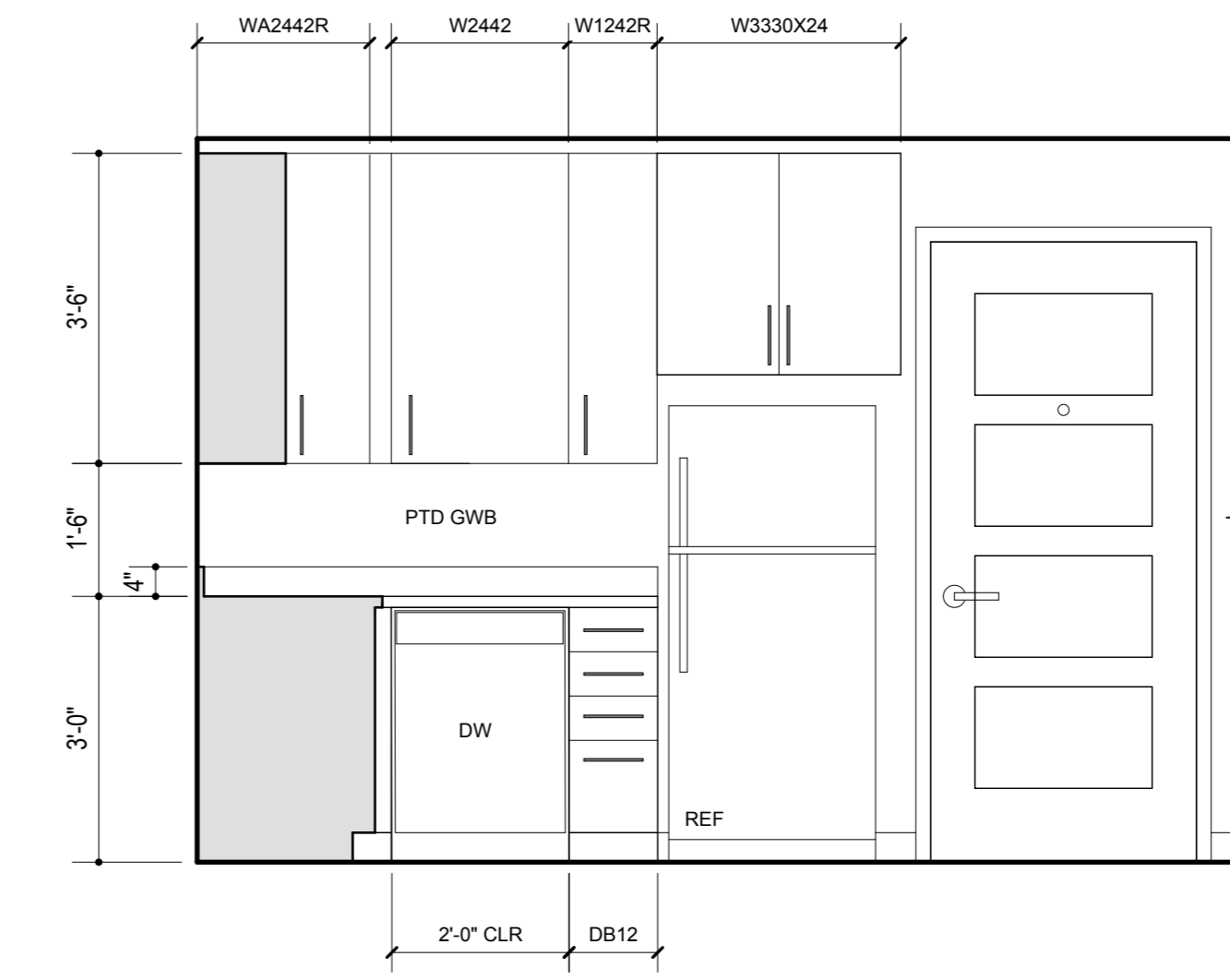
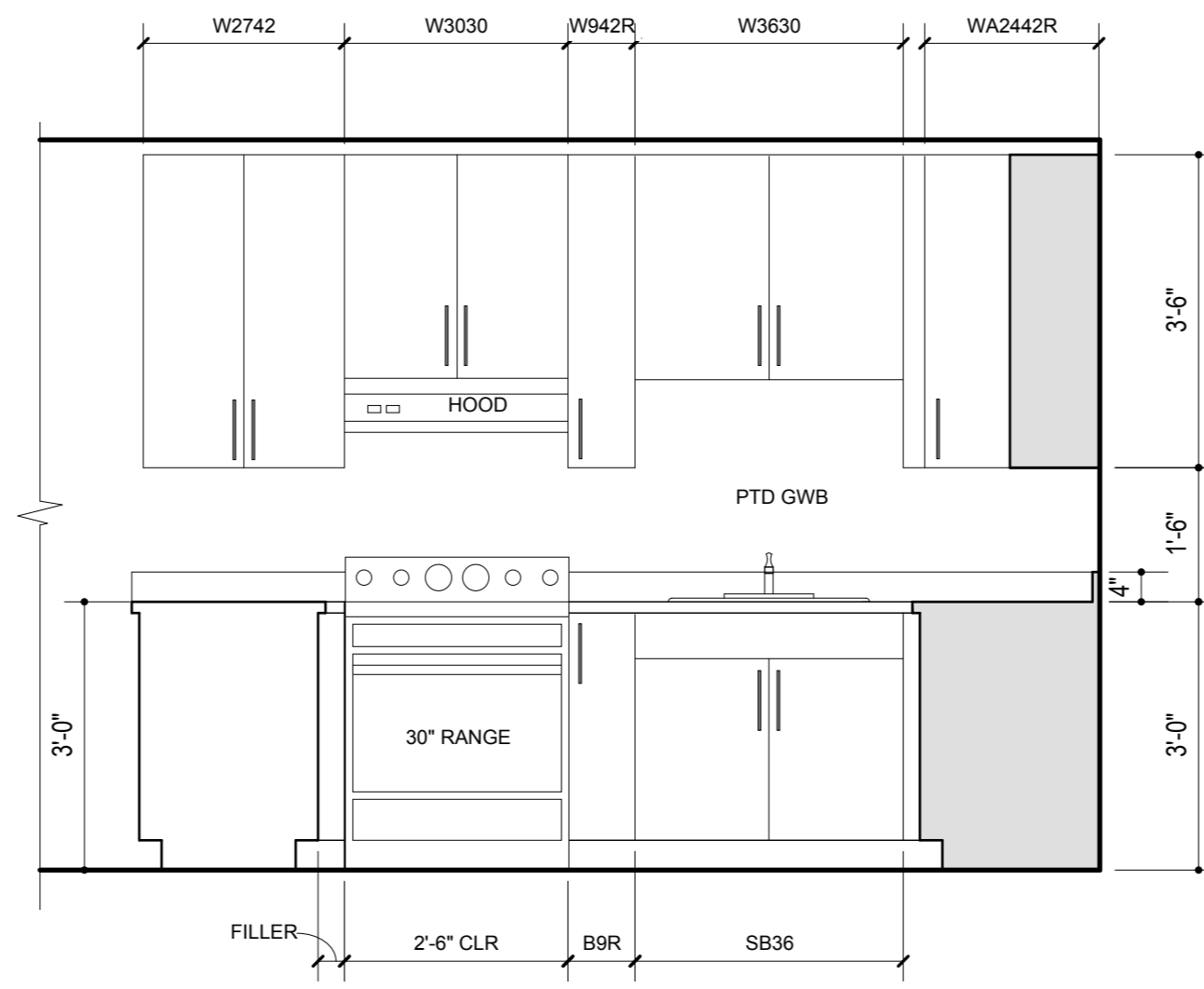
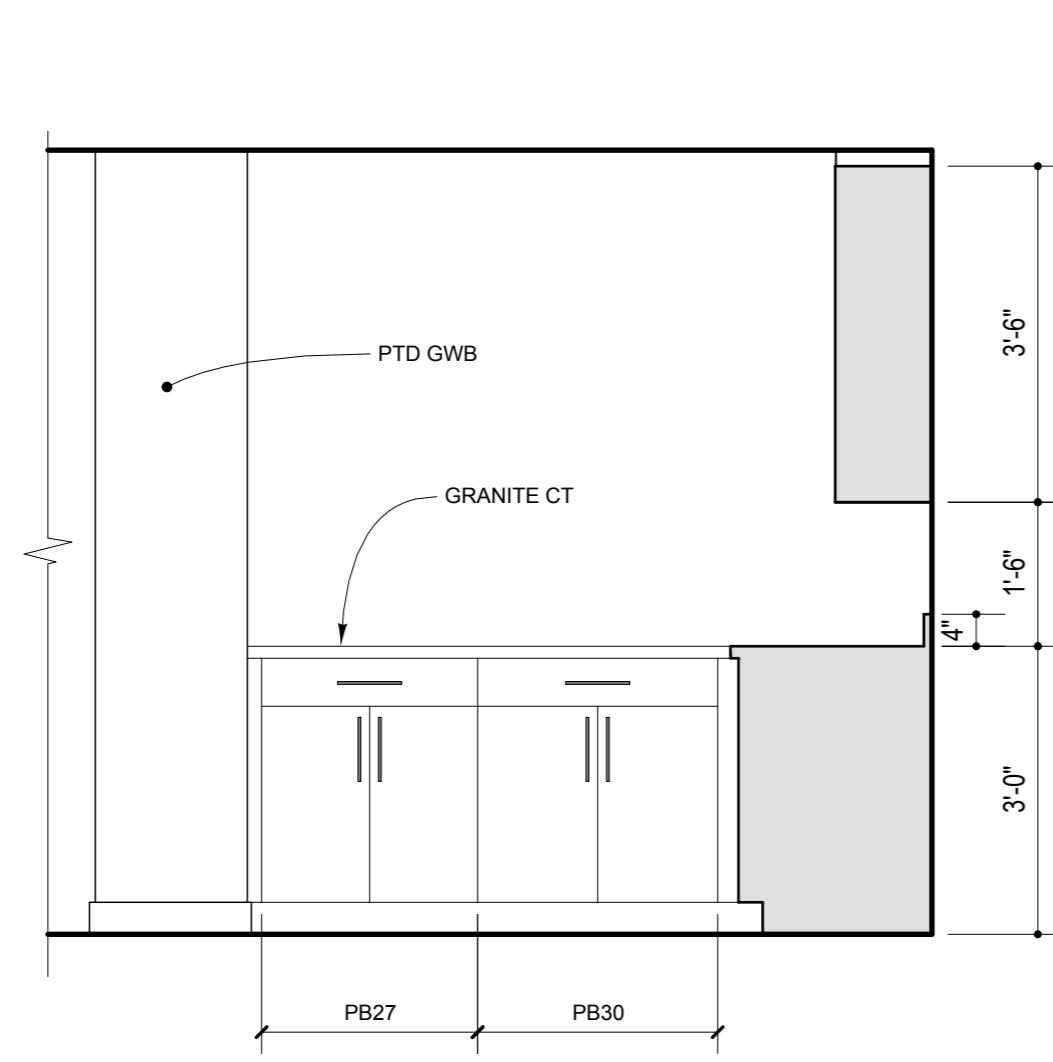
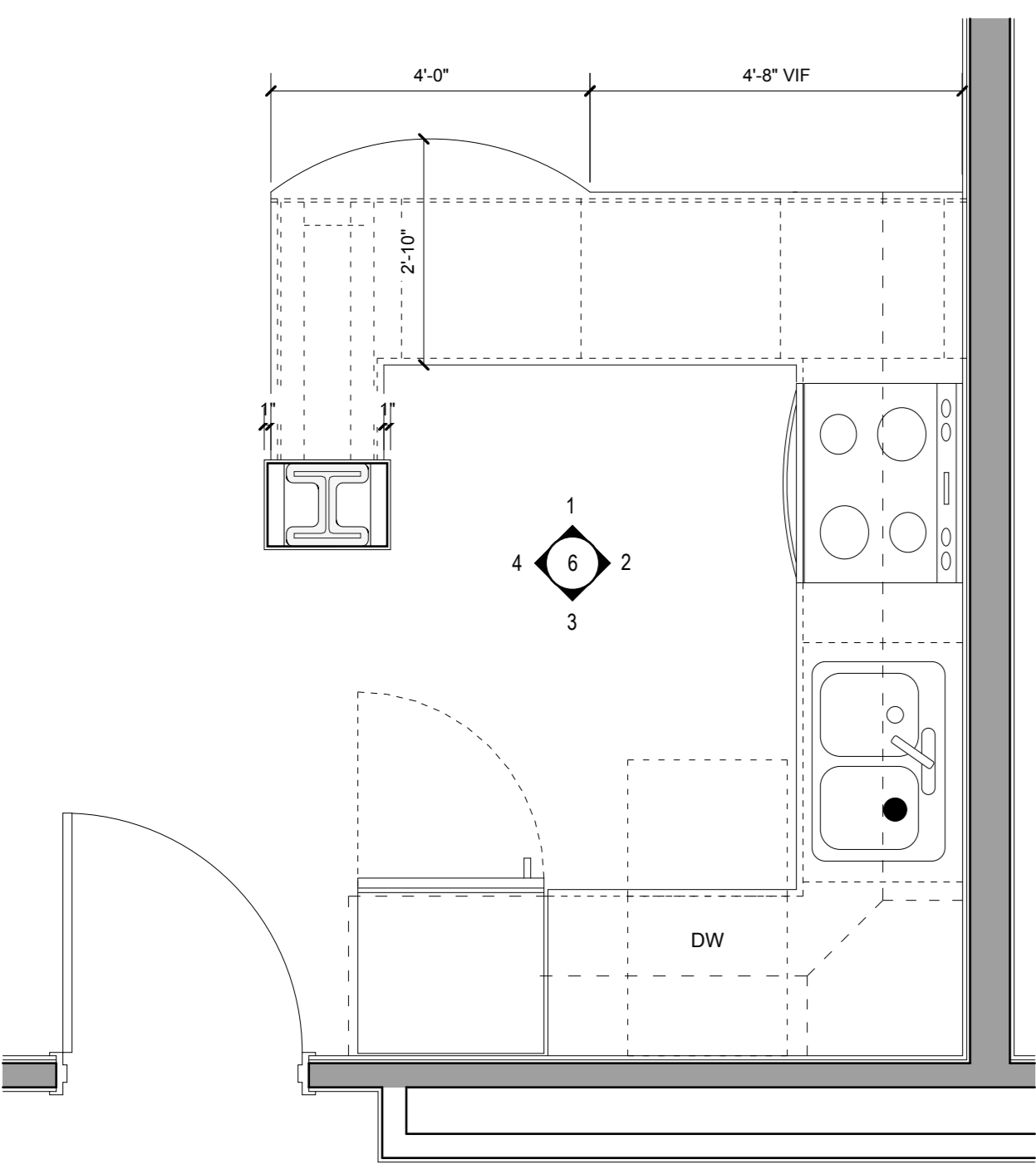


4 KITCHEN TYPE "D" IN UNIT 404, 504, 604, 704
SCALE: 1/2" = 1'-0"



5 KITCHEN TYPE "E" IN UNIT 405, 505, 605, 705
SCALE: 1/2" = 1'-0"

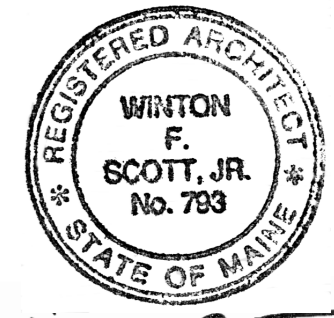


6 KITCHEN TYPE "F" IN UNIT 406, 506, 606, 706
SCALE: 1/2" = 1'-0"



Winton Scott Architects
5 Milk Street
Portland, Maine 04101
207 774 4811
www.wintonscott.com

Architecture / Planning
Preservation Architecture
Interior Architecture



Winton Scott

ISSUED FOR BUILDING
PERMIT ONLY
03/30/16

Structural Engineer
Structural Integrity
Consulting Engineers, Inc.

Owner
Northland
Enterprises LLC.

443 Congress

Portland, Maine

Enlarged Plans

Kitchen

1/2" = 1'-0"

A 7.5

March 30, 2016