

*Winton Scott*

ISSUED FOR BUILDING  
 PERMIT ONLY  
 03/30/16

Structural Engineer  
 Strucutral Integrity  
 Consulting Engineers, Inc.

Owner  
 JJR 443 Congress, LLC

443 Congress

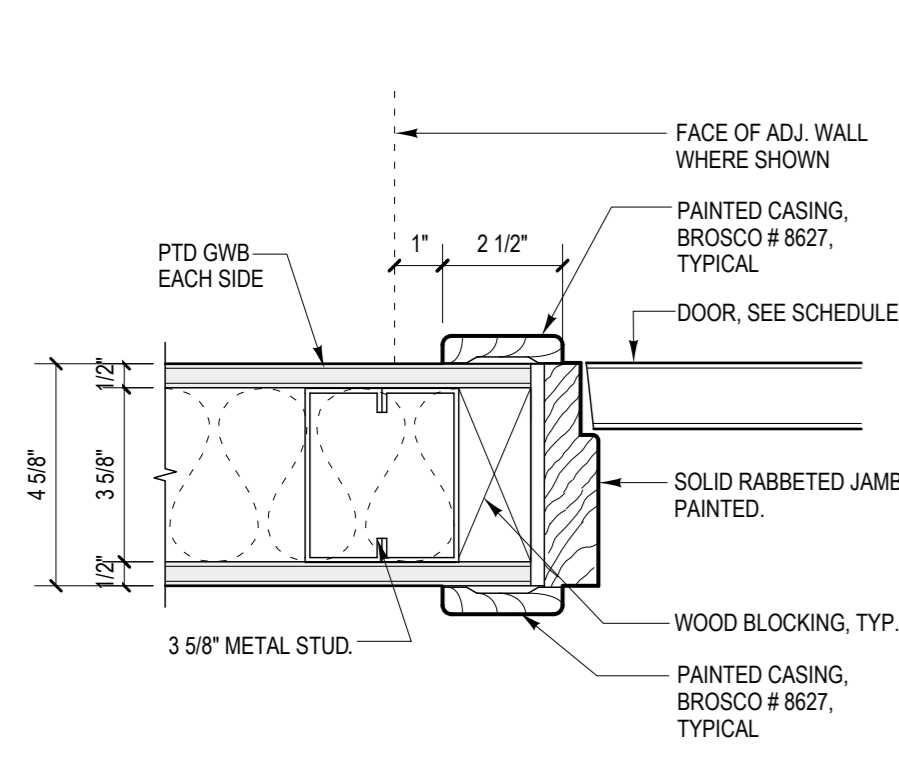
Portland, Maine

Door Details

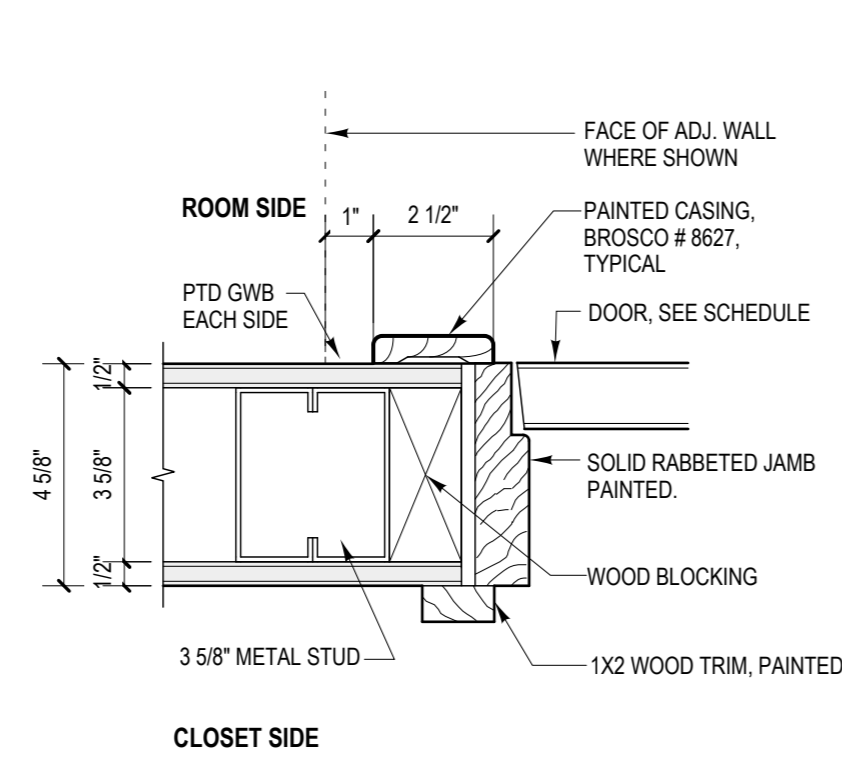
1/4" = 1'-0"

A 10.2

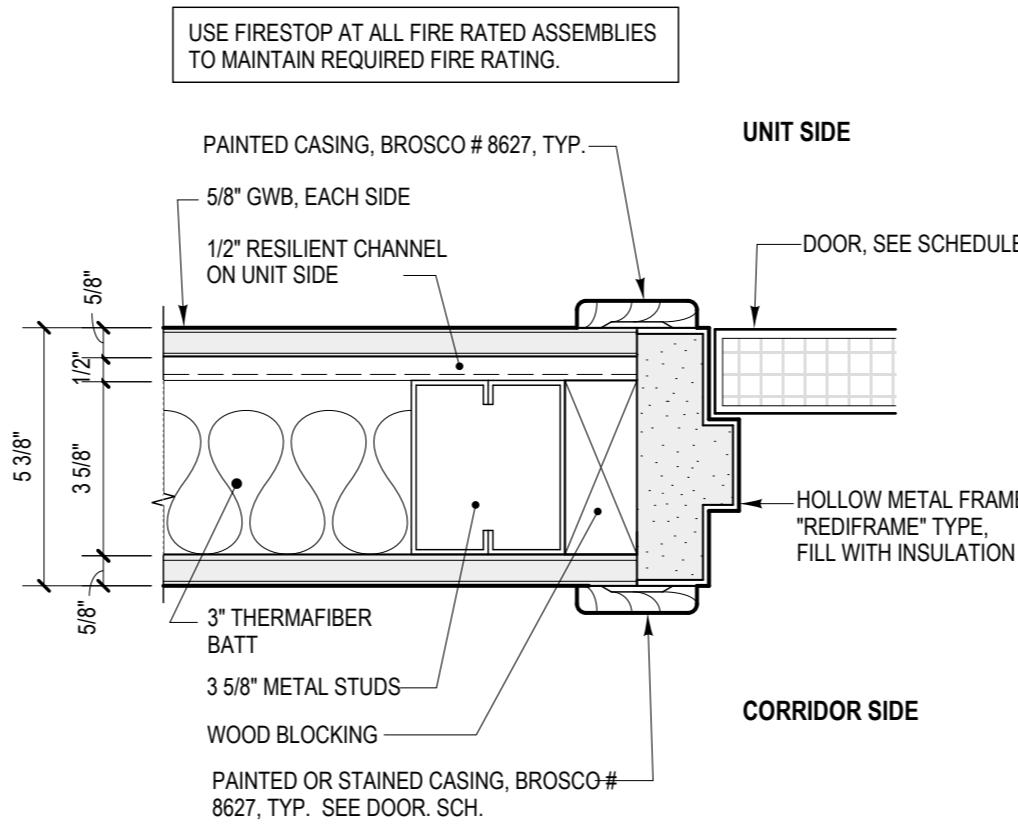
March 30, 2016



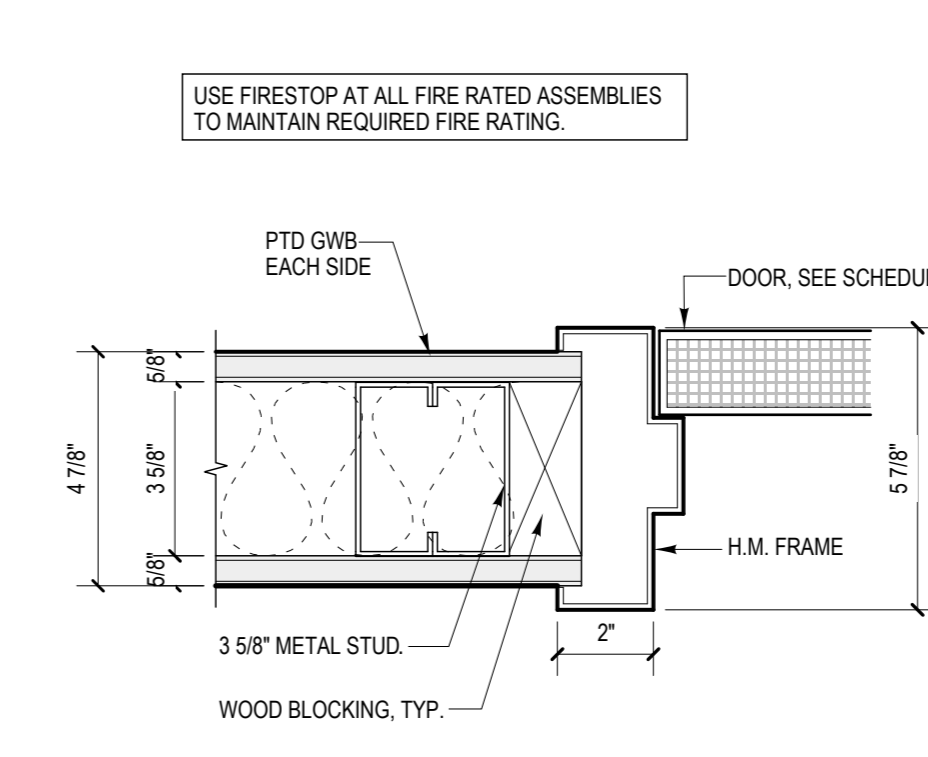
**J1 H1** TYP. UNIT INT. JAMB DTL / HEAD SIM.  
 SCALE: 3" = 1'-0"



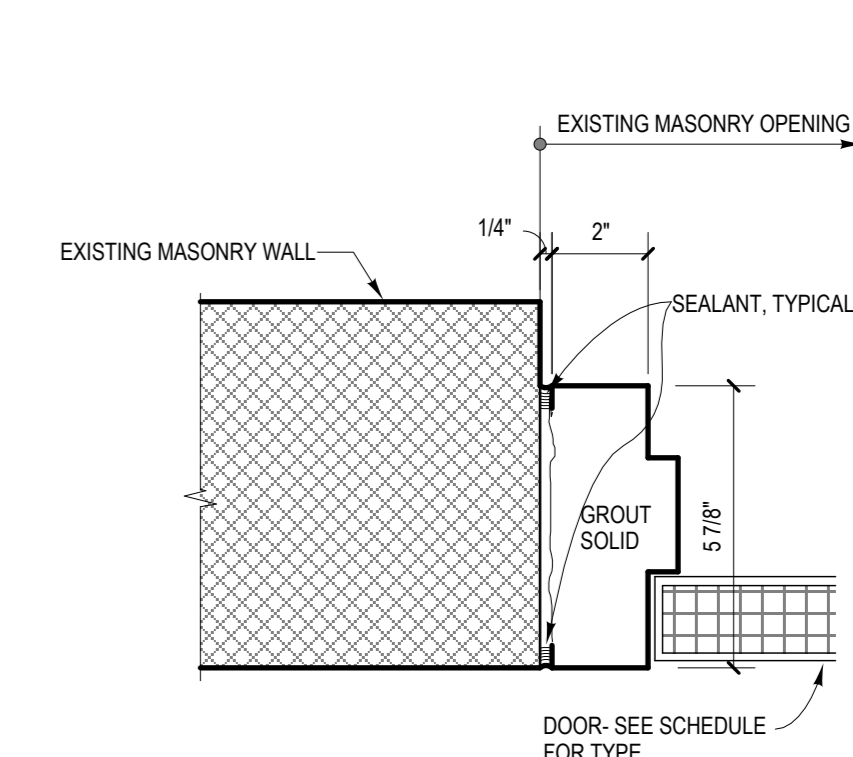
**J2 H2** JAMB DTL @ UNIT CLOSETS / HEAD SIM.  
 SCALE: 3" = 1'-0"



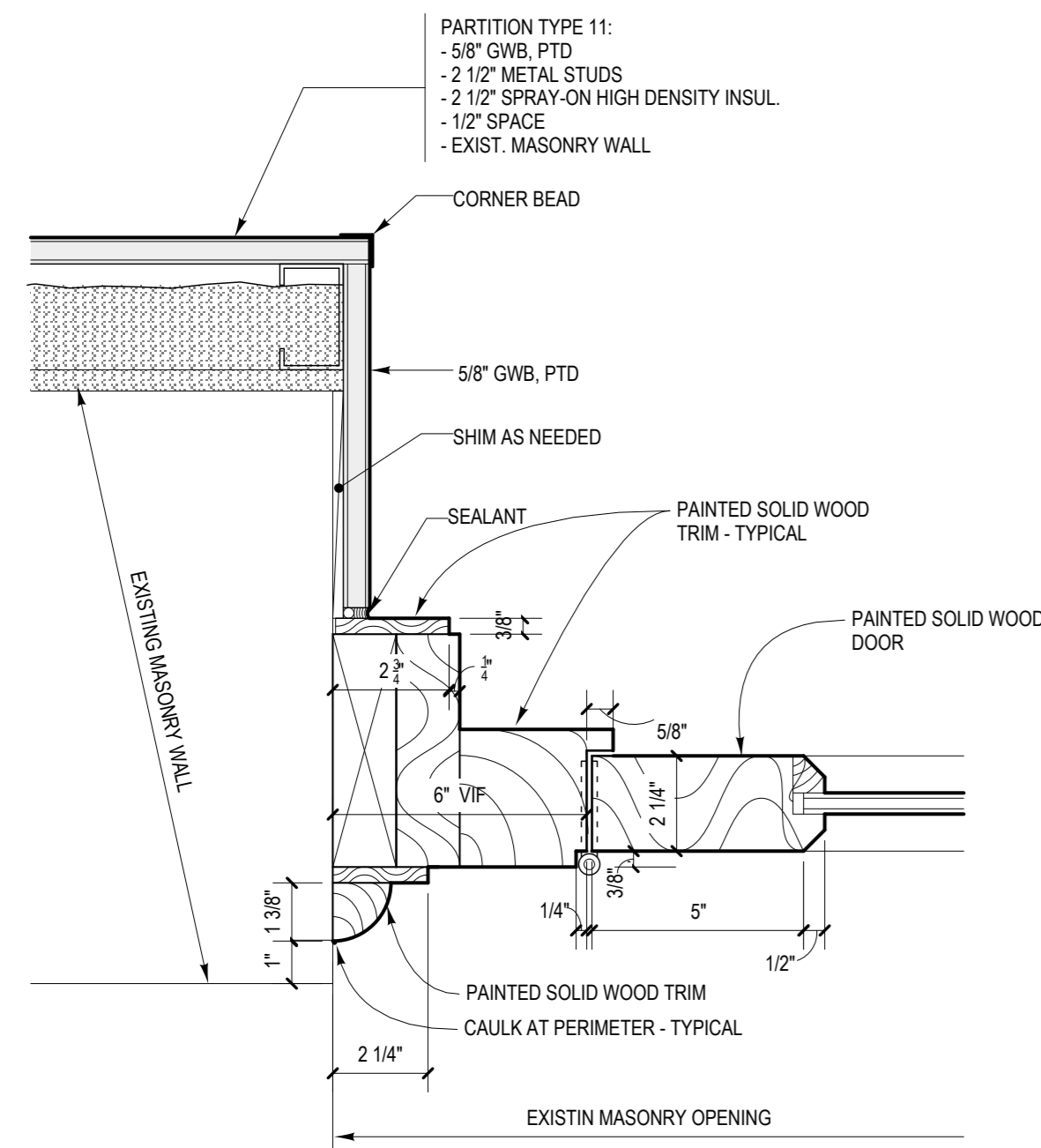
**J3 H3** "REDIFRAME" JAMB DETAIL / HEAD SIMILAR  
 SCALE: 3" = 1'-0"



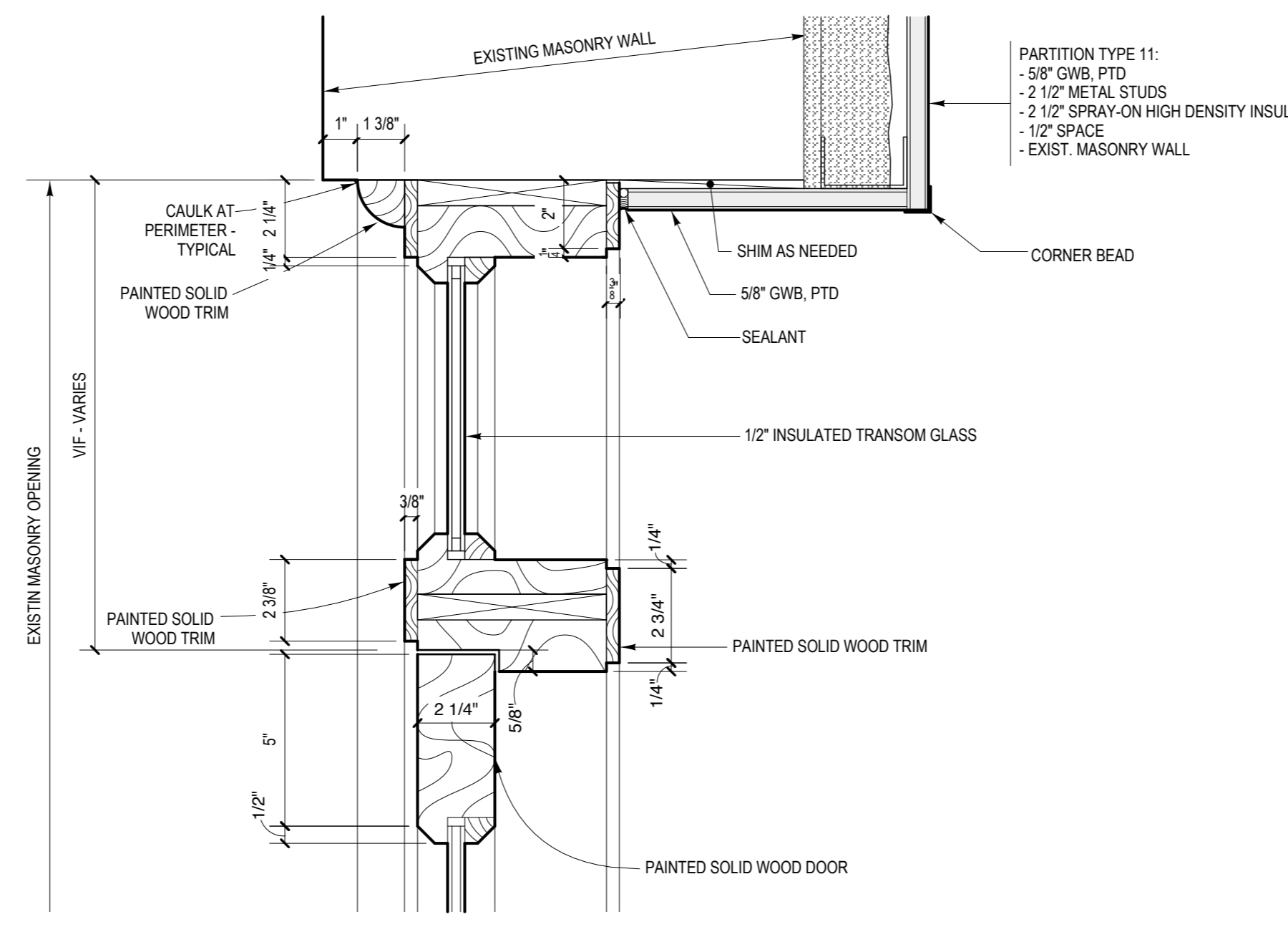
**J5 H5** JAMB DETAIL / HEAD SIMILAR  
 SCALE: 3" = 1'-0"



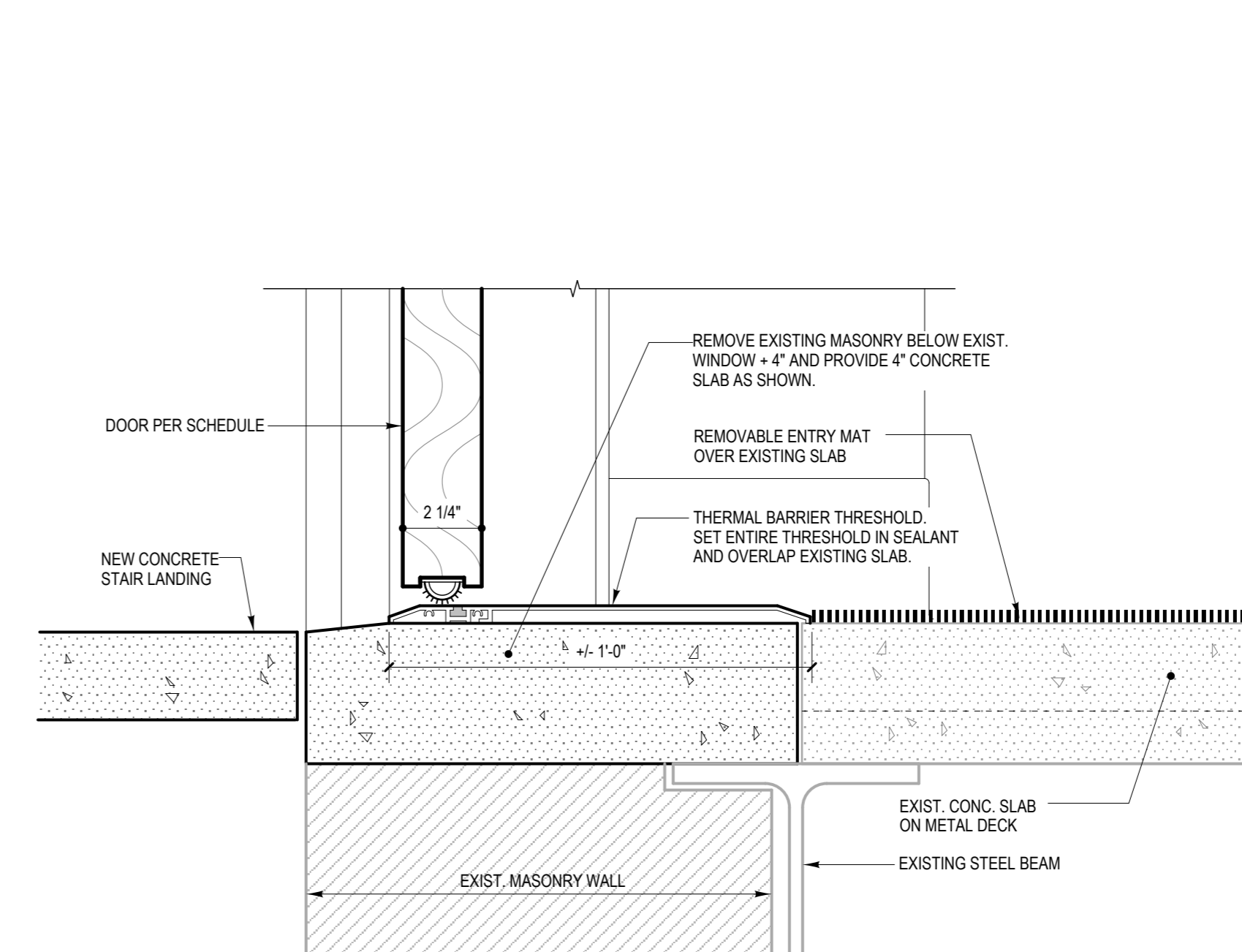
**J6 H6** JAMB DTL / HEAD SIM.  
 SCALE: 3" = 1'-0"



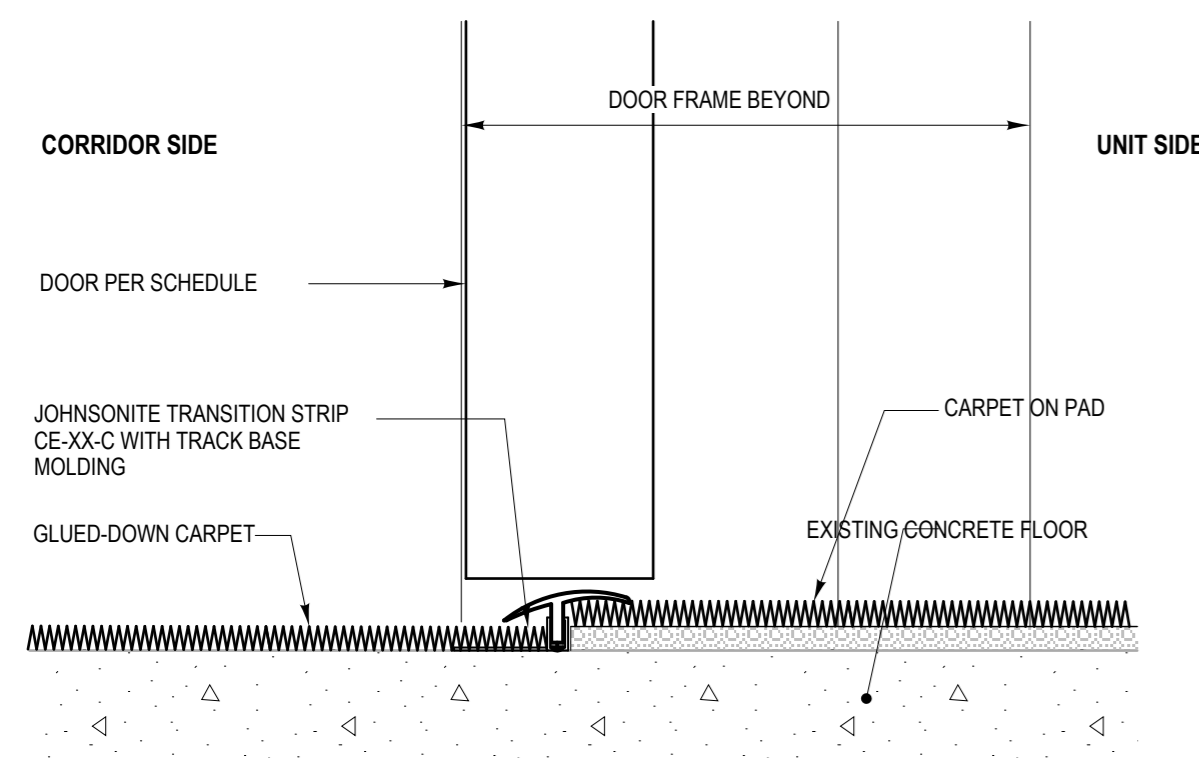
**J7** JAMB DTL AT WOOD ENTRY DOORS (HEAD SIMILAR)  
 SCALE: 3" = 1'-0"



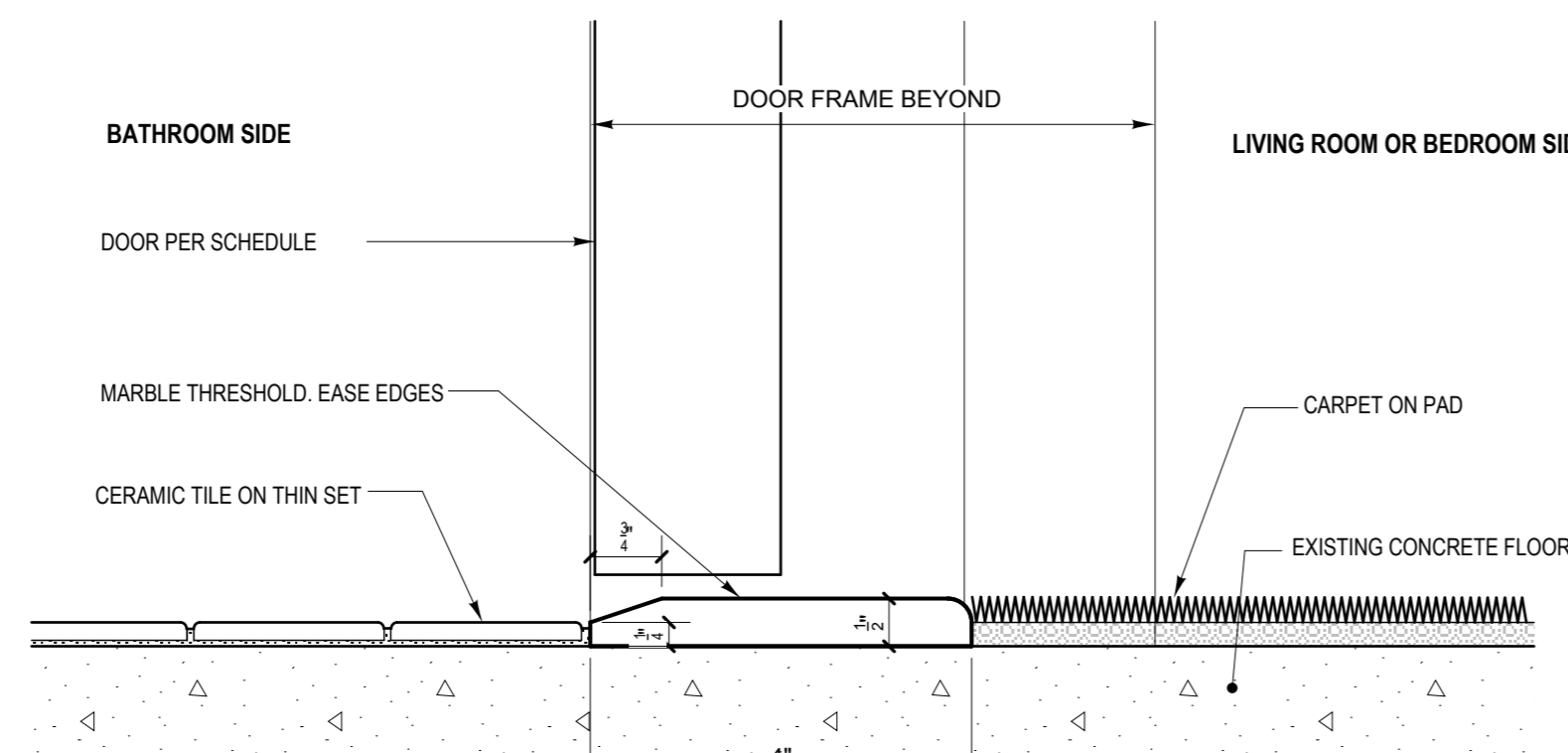
**H7** HEAD DTL AT WOOD ENTRY DOORS  
 SCALE: 3" = 1'-0"



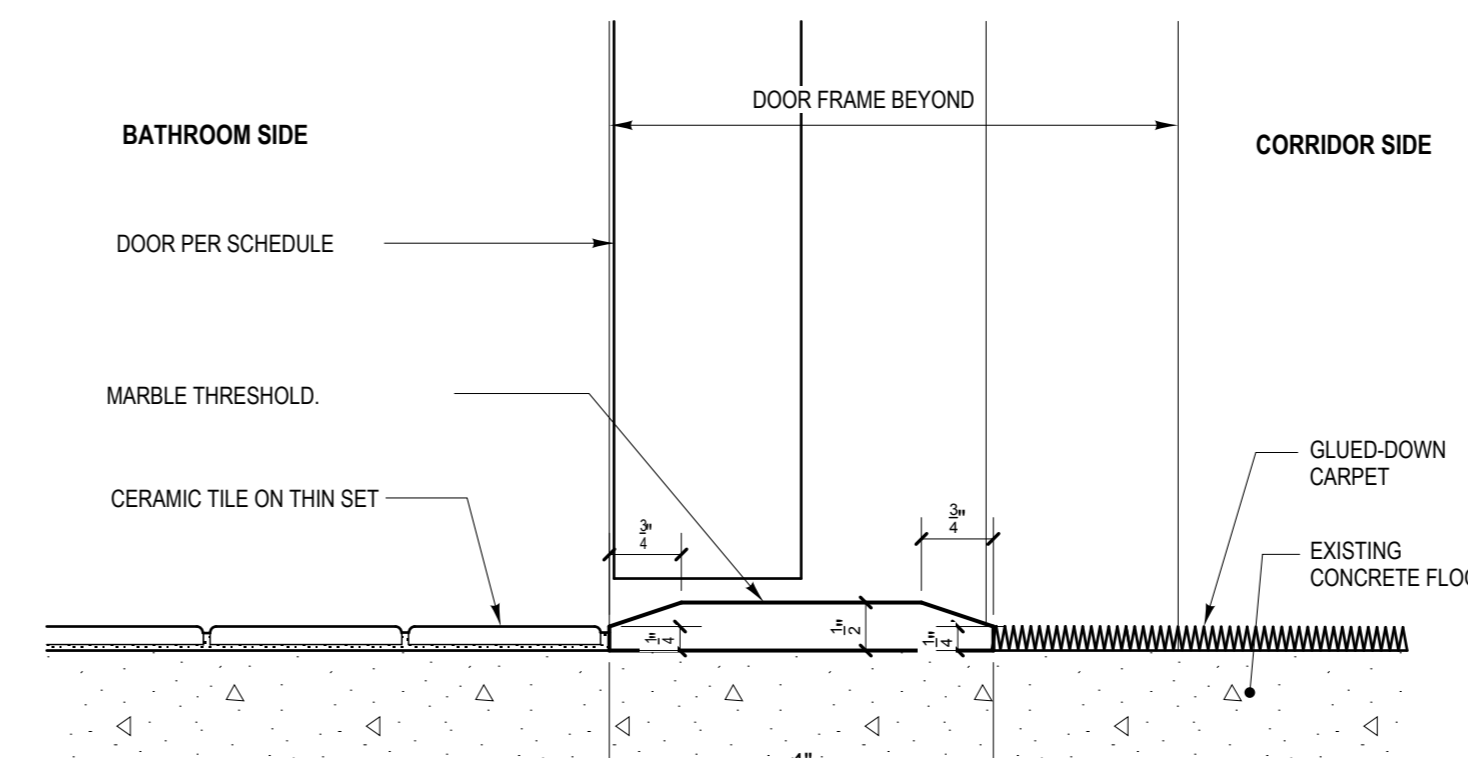
**TH1** THRESHOLD DTL AT NEW ENTRY DOOR  
 SCALE: 3" = 1'-0"



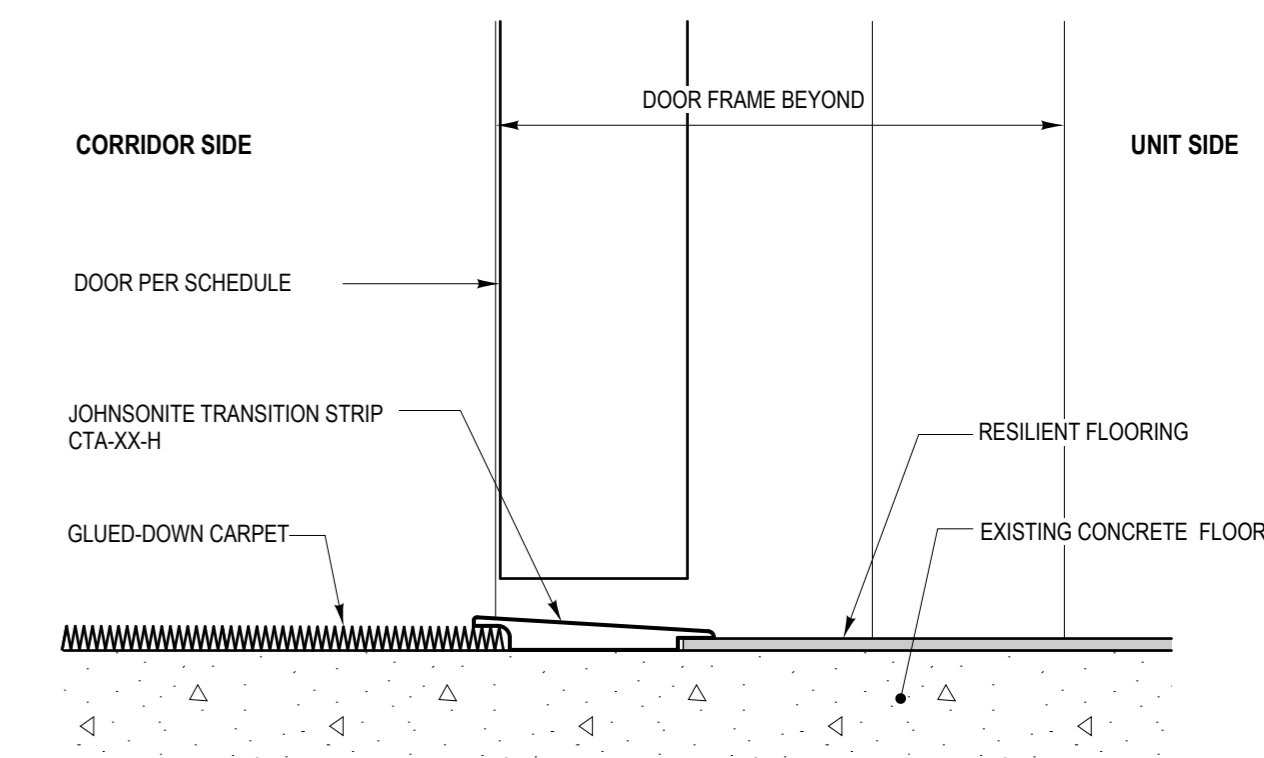
**T1** TRANSITION STRIP DETAIL AT UNIT ENTRY DOOR  
 SCALE: 6" = 1'-0"



**T2** TRANSITION STRIP DETAIL AT BATHROOM DOOR  
 SCALE: 6" = 1'-0"



**T3** TRANSITION STRIP DETAIL AT ADA BATHROOM DOOR  
 SCALE: 6" = 1'-0"



**T4** TRANSITION STRIP DETAIL AT RESILIENT FLOORING  
 SCALE: 6" = 1'-0"