



**SILENT
KNIGHT**

by Honeywell

SK-Photo, SK-Photo-T and SK-PhotoR

Intelligent Photoelectric Smoke Sensors

The SK-Photo is a photoelectric smoke detector, the SK-Photo-T is a photoelectric smoke detector with thermal and SK-PhotoR is a photoelectric detector with remote test capability. These plug in smoke detectors, with integral communication, provide features that surpass conventional detectors and are for use with Silent Knight IntelliKnight Fire Alarm Control Panels (FACPs).

For more information about the IntelliKnight system, or to locate your nearest source, please call 800-328-0103.

Description

SK-Photo and SK-Photo-T are plug-in type smoke sensors that combine a photoelectric sensing chamber with addressable analog communications. Point ID capability allows each detector's address to be set with rotary address switches, providing exact detector locations for selective maintenance when chamber contamination reaches unacceptable levels.

SK-Photo and SK-Photo-T have a unique optical sensing chamber that is engineered to sense smoke produced by a wide range of combustion sources. In the SK-Photo-T, dual electronic thermistors add 135°F (57°C) thermal technology to maximize detection.

The SK-PhotoR is a remote test capable detector for use with the DNR/DNRW duct smoke detector. (not included)

Features

- Sleek, low-profile design
- Base included
- Reliable analog communications for trouble-free operation
- Age resistant polymer housing
- Dual electronic thermistor design on the SK-Photo-T
- Superior EMI resistance for reliability
- Simple field cleaning for code compliance
- Variety of mounting options to meet any application
- Dual LED indicators for 360° visibility
- Detector transmits signal to indicate maintenance is required

- Optional remote LED annunciator (System Sensor® PN RA100Z)
- Plug-in mounting provides ease of installation
- Tamper-proof feature available on mounting bases
- Listed for use in duct applications
- Rotary address switches for fast installation
- UL Listed
- FM Approved

Specifications

Physical

Height: 2.0" (5.0 cm)

Diameter: 4.1" (10.4 cm) installed in B501 base

Electrical

Operating Voltage: 15–32 VDC

Standby Current:

300 µA @ 24 VDC Maximum

Alarm Current: 6.5 mA @ 24 VDC max (with LED on)

Environmental

Operating Temperature

SK-Photo: 32° – 120°F (0°C – 49°C)

SK-Photo-T: 32° – 100°F (0°C – 38°C)

Humidity: 10% – 93% non-condensing

Other Ratings

SK-Photo-T Thermal: Fixed temperature set point 135°F (57°C)

Velocity: 0 – 4000 fpm (0 – 20 m/sec)

Installation

The SK-Photo and SK-Photo-T plug into a compatible IntelliKnight-series detector base. The SK-PhotoR is a remote test capable detector head included within the DNR (W) duct smoke detector.



SK-Photo (Base included)

Compatibility

SK-Photo, and SK-Photo-T are compatible with the following detector bases:

B210LP	6" base (included)
B501	2 wire base
B224RB	Relay base
B224BI	Isolator base
B200SR	Sounder base

The SK-Photo, SK-Photo-T, and SK-PhotoR are compatible with the following IntelliKnight FACPs:

5820XL
5820XL-EVS
5808
5700
5600 (Rev 2.0 or higher)

Model SK-Photo, SK-Photo-T and SK-PhotoR Intelligent Photoelectric Smoke Sensors

Engineering Specifications

The contractor shall furnish and install where indicated on the plans, Intelligent photoelectric smoke sensors Silent Knight SK-Photo or SK-Photo-T with thermal. The combination detector head, and twist-lock base, shall be UL listed and compatible with Silent Knight's IntelliKnight fire control panels.

The base shall permit direct interchange with SK-Photo or SK-Photo-T. Base shall be the appropriate twist-lock base part number B210LP (included).

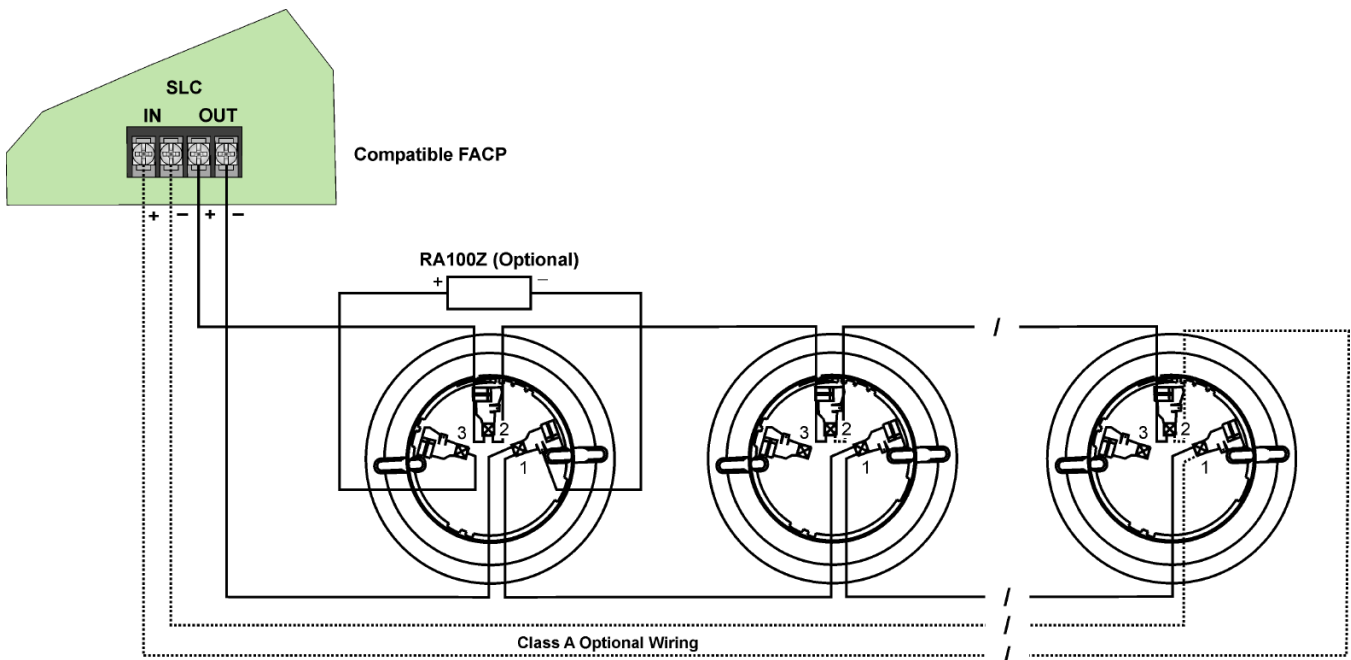
The PhotoR is a remote test capable detector for use with DNR(W) duct smoke detectors. (not included).

The smoke detector shall have a flashing status LED for visual supervision. When the detector is actuated, the flashing LED will latch on steady. The detector may be reset by actuating the control panel reset switch.

The calibration of the detector shall be capable of being selected and measured by the control panel without the need for external test apparatus.

The vandal-resistant, security locking feature shall be used in those areas as indicated on the drawing. The locking feature shall be field selectable as required.

The SK-Photo shall automatically perform a functional test of the detector. The test method shall simulate effects of products of combustion in the chamber to ensure testing of detector circuits.



Wiring SK-Series Detector Mounting Bases



**SILENT
KNIGHT**

by Honeywell

This document is not intended to be used for installation purposes. We try to keep our product information up-to-date and accurate. We cannot cover all specific applications or anticipate all requirements. All specifications are subject to change without notice. For more information, contact Silent Knight 12 Clintonville Road, Northford, CT 06472-1610 Phone: (800) 328-0103, Fax: (203) 484-7118. For Technical Support, Please call 800-446-6444. www.silentknight.com