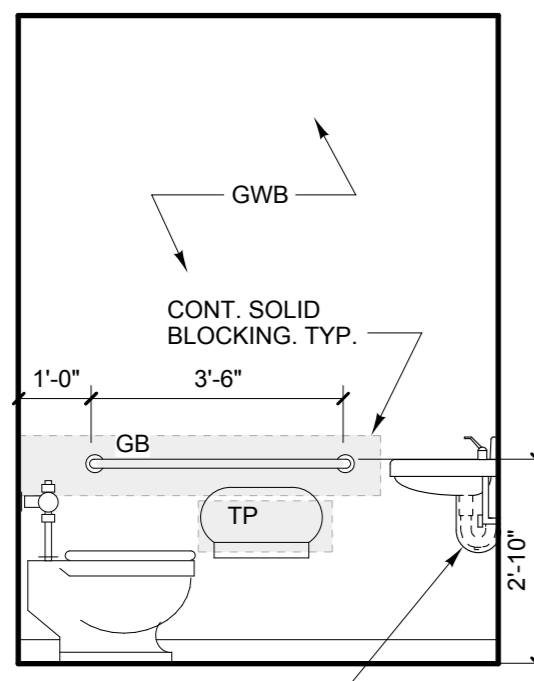
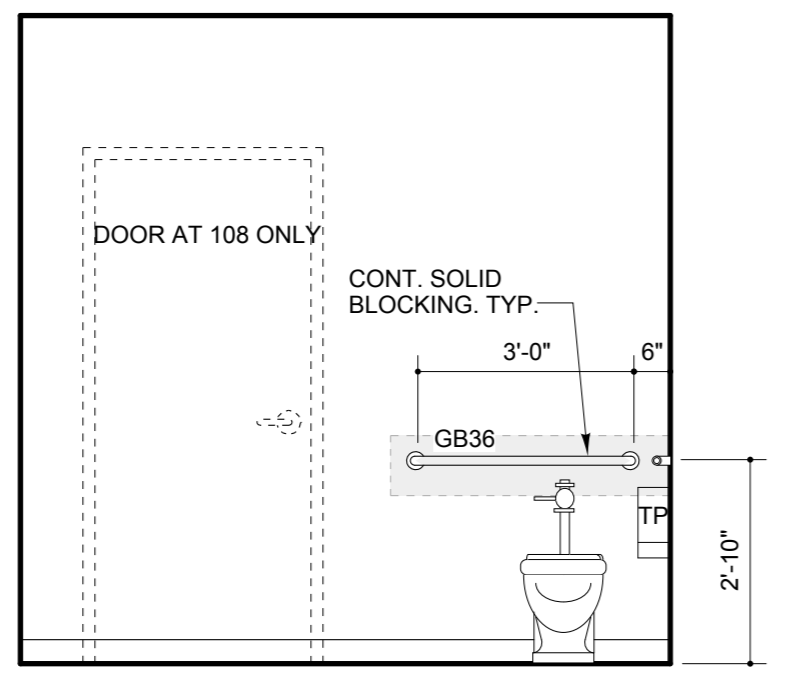


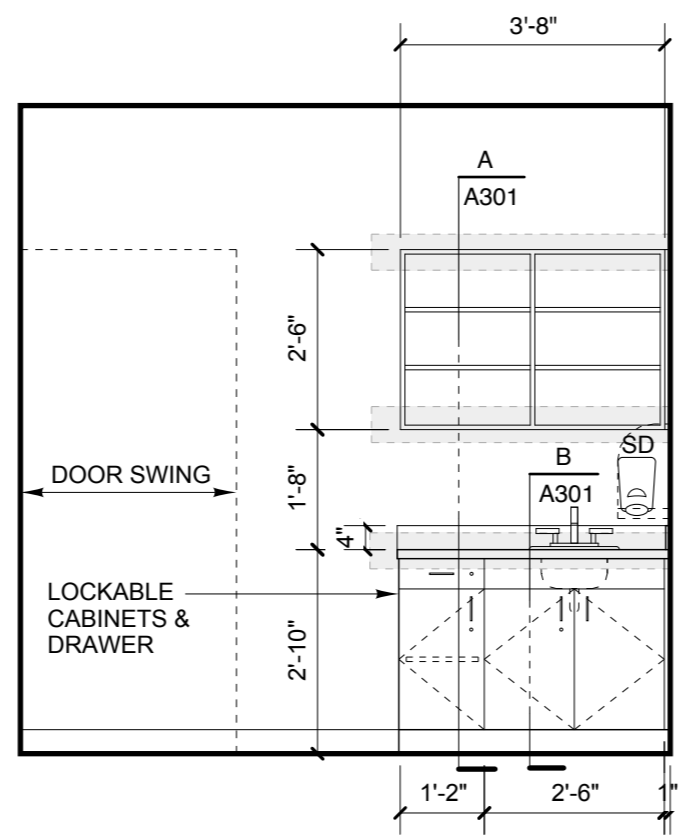
1 UNISEX BATHROOM 103  
3/8" = 1' - 0" OPP. HAND & SIM AT 104 & 108



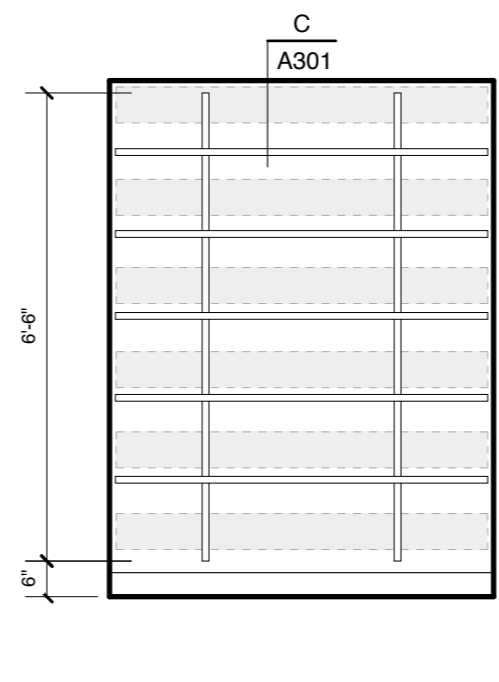
2 UNISEX BATHROOM 103  
3/8" = 1' - 0" OPP. HAND AT 104 & 108



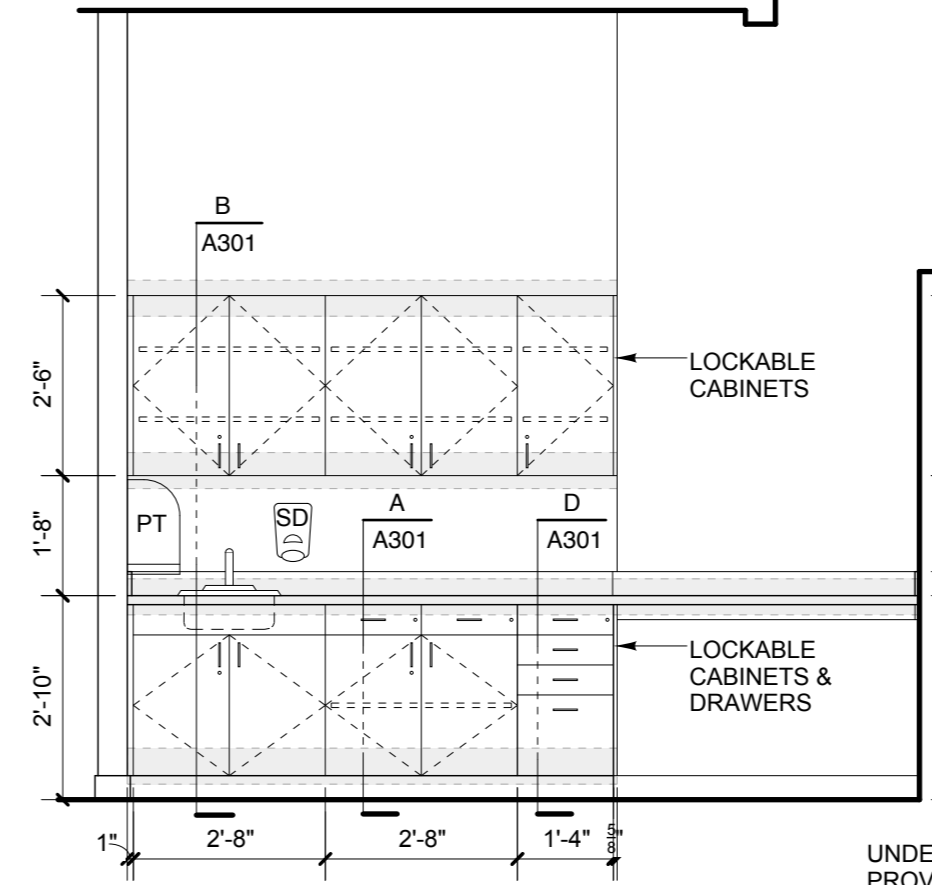
3 UNISEX BATHROOM 103  
3/8" = 1' - 0" OPP. HAND AT 104 OPP. HAND & SIM. AT 108



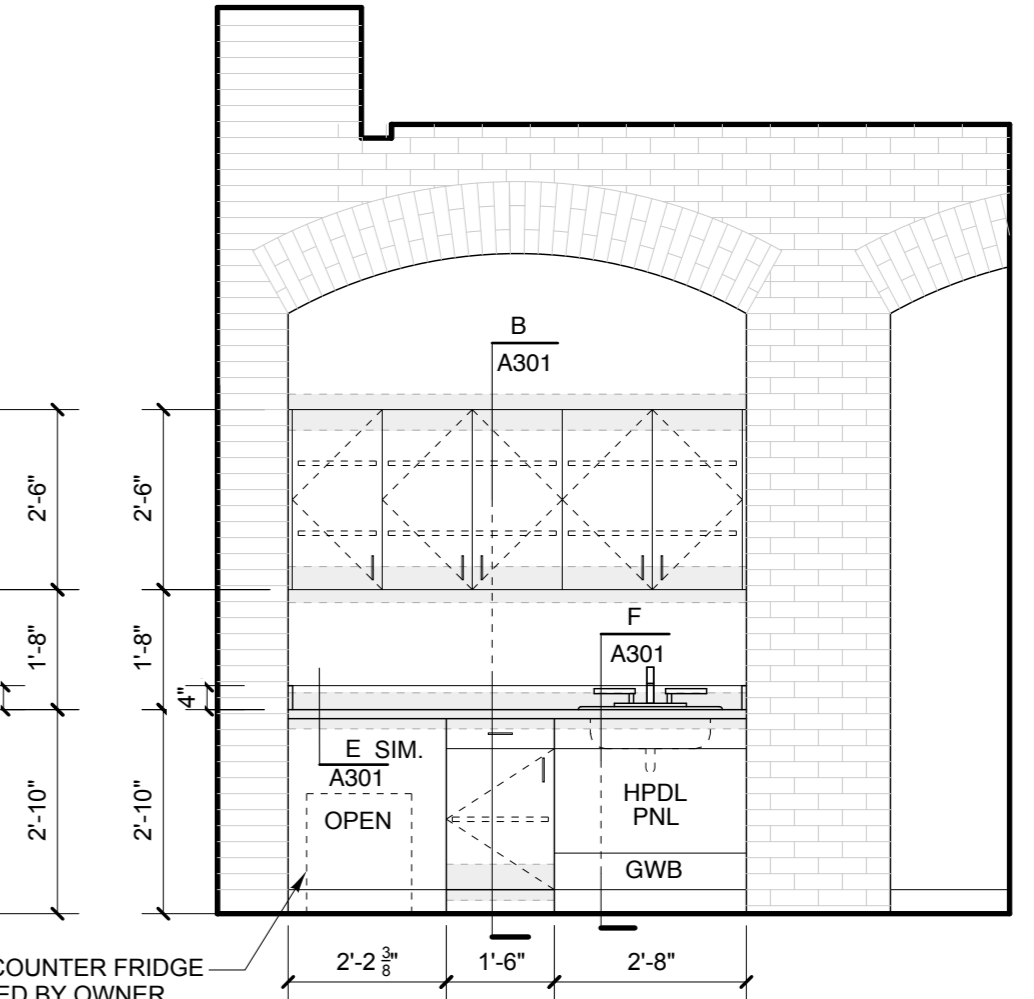
4 TYPICAL EXAM ROOM CABINET (107 SHOWN)  
3/8" = 1' - 0" OPP. HAND & SIM. AT 109



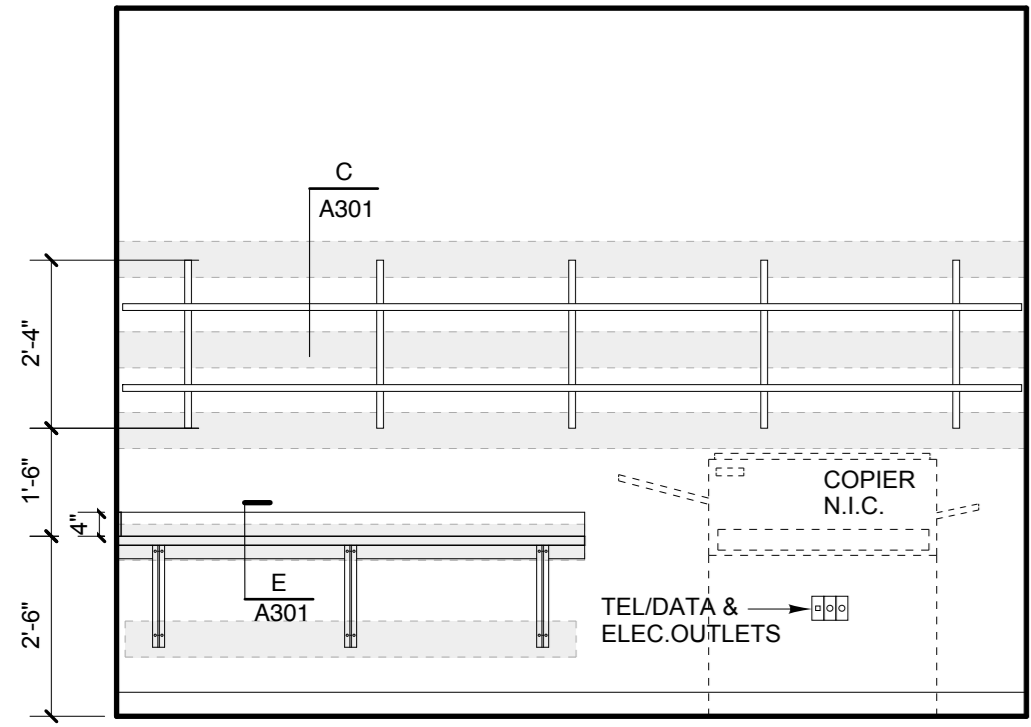
5 STORAGE 106  
3/8" = 1' - 0"



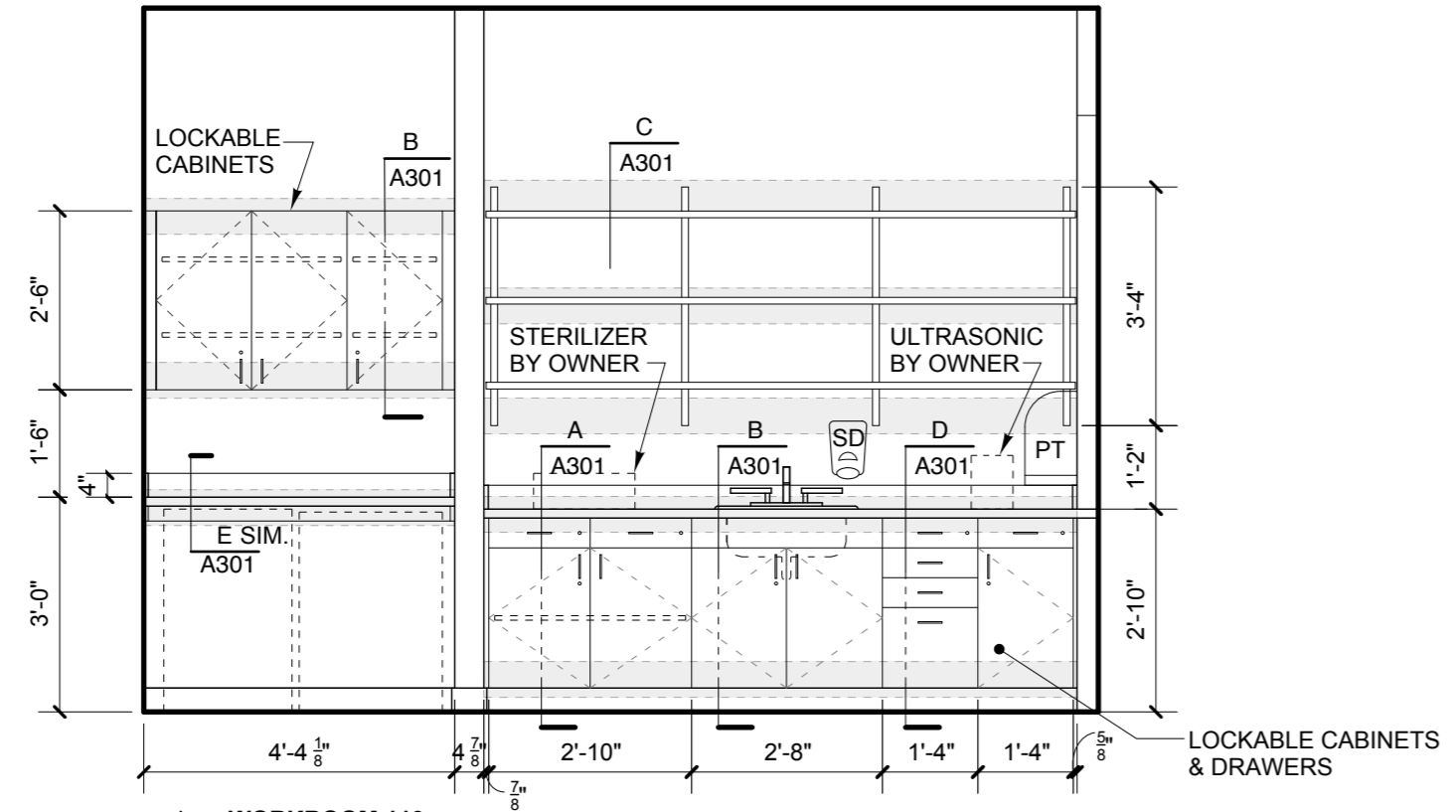
6 ORAL HEALTH 110  
3/8" = 1' - 0" OPP. HAND AT 11



7 MEETING ROOM 112  
3/8" = 1' - 0"



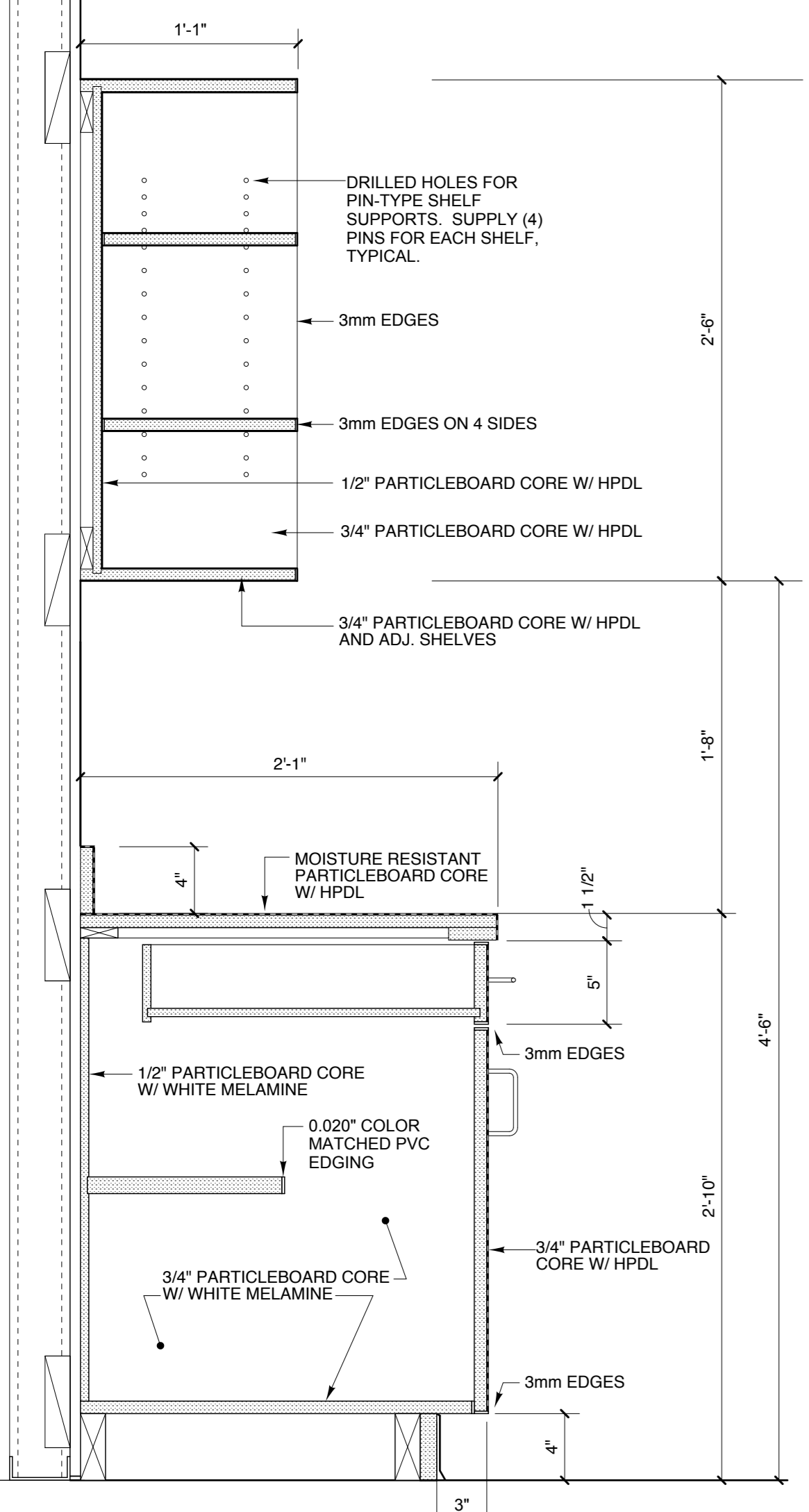
8 WORKROOM 113  
3/8" = 1' - 0"



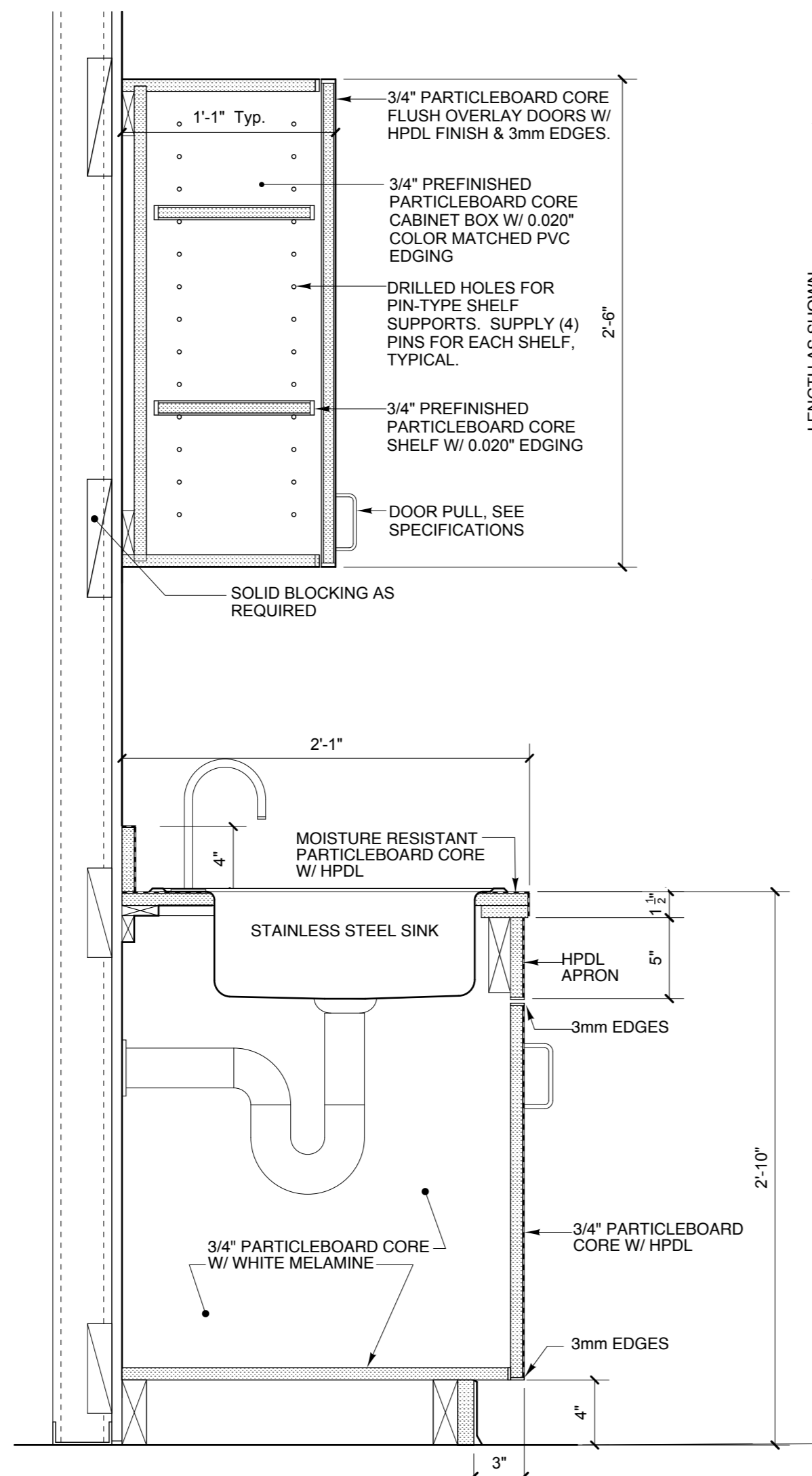
9 WORKROOM 113  
3/8" = 1' - 0"

- TOILET ACCESSORIES**
- TP SURFACE MOUNTED TOILET PAPER DISPENSER FURNISHED BY OWNER INSTALLED BY CONTRACTOR. PROVIDE & COORDINATE SOLID BLOCKING IN WALL.
  - SD SURFACE MOUNTED SOAP DISPENSER FURNISHED BY OWNER INSTALLED BY CONTRACTOR. PROVIDE & COORDINATE SOLID BLOCKING IN WALL.
  - PT PAPER TOWEL DISPENSER AND FURNISHED BY OWNER INSTALLED BY CONTRACTOR. PROVIDE & COORDINATE SOLID BLOCKING IN WALL.
  - MFM METAL FRAMED MIRROR PROVIDED BY CONTRACTOR. PROVIDE SOLID BLOCKING IN WALL.
  - GB GRAB BAR PROVIDED BY CONTRACTOR. PROVIDE SOLID BLOCKING IN WALL.

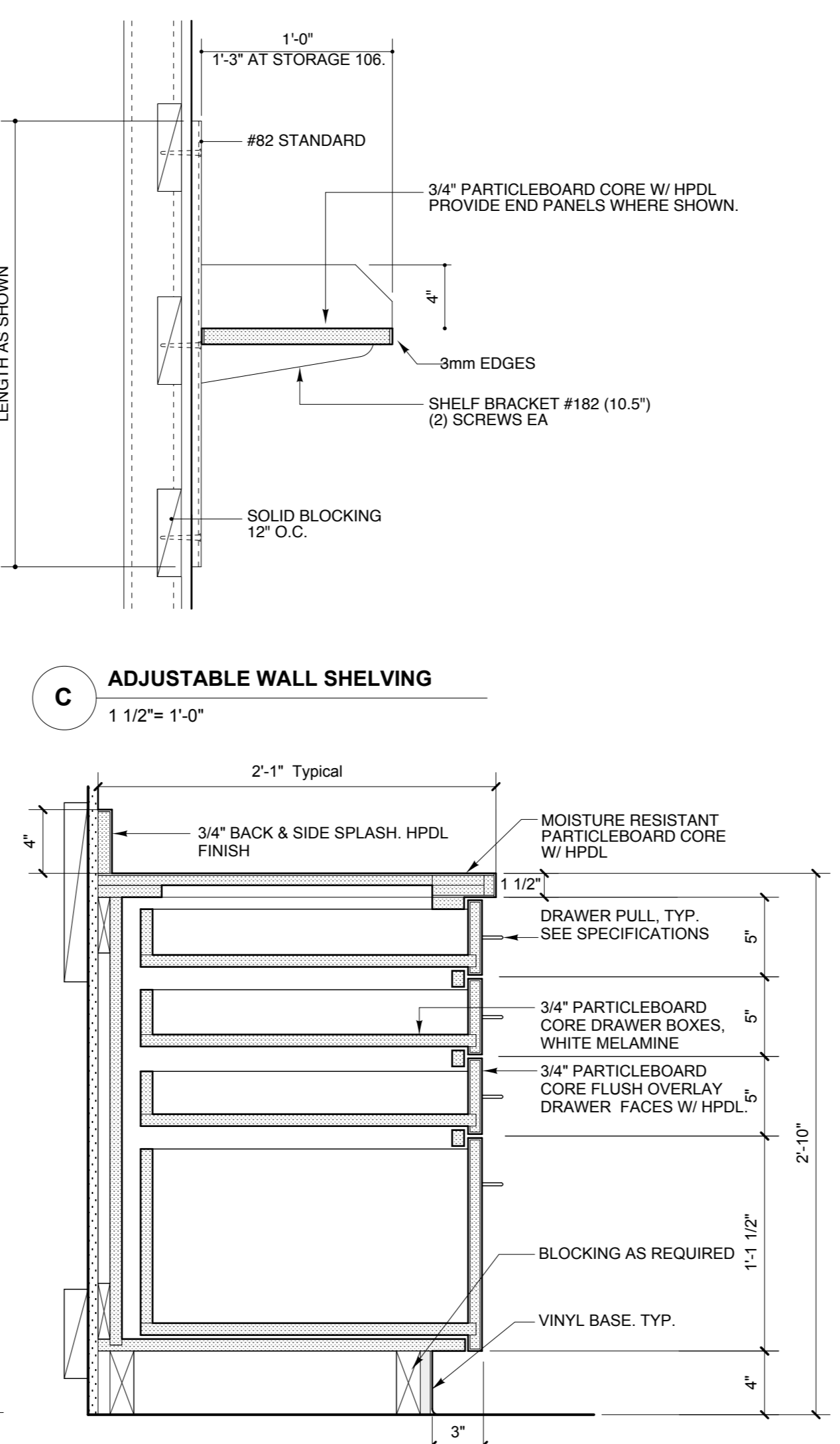
- NOTES**
- PROVIDE SOLID BLOCKING IN WALL FOR ALL TOILET ACCESSORIES. REFER TO PLANS & ELEVATIONS FOR LOCATIONS OF ALL ACCESSORIES.
  - COORDINATE EXACT LOCATIONS WITH ARCHITECT.
  - PROVIDE SOLID BLOCKING IN WALL FOR ALL SHELVING AND MILLWORK.
  - COORDINATE ELECTRICAL & TEL/DATA OUTLETS W/ ELECTRICAL DRAWINGS.
  - ALL CLOSED CABINETS SHALL BE LOCKABLE EXCEPT THE ONES IN MEETING ROOM 112.
  - SEMI-EXPOSED CABINET INTERIORS TO BE FINISHED WITH WHITE MELAMINE.



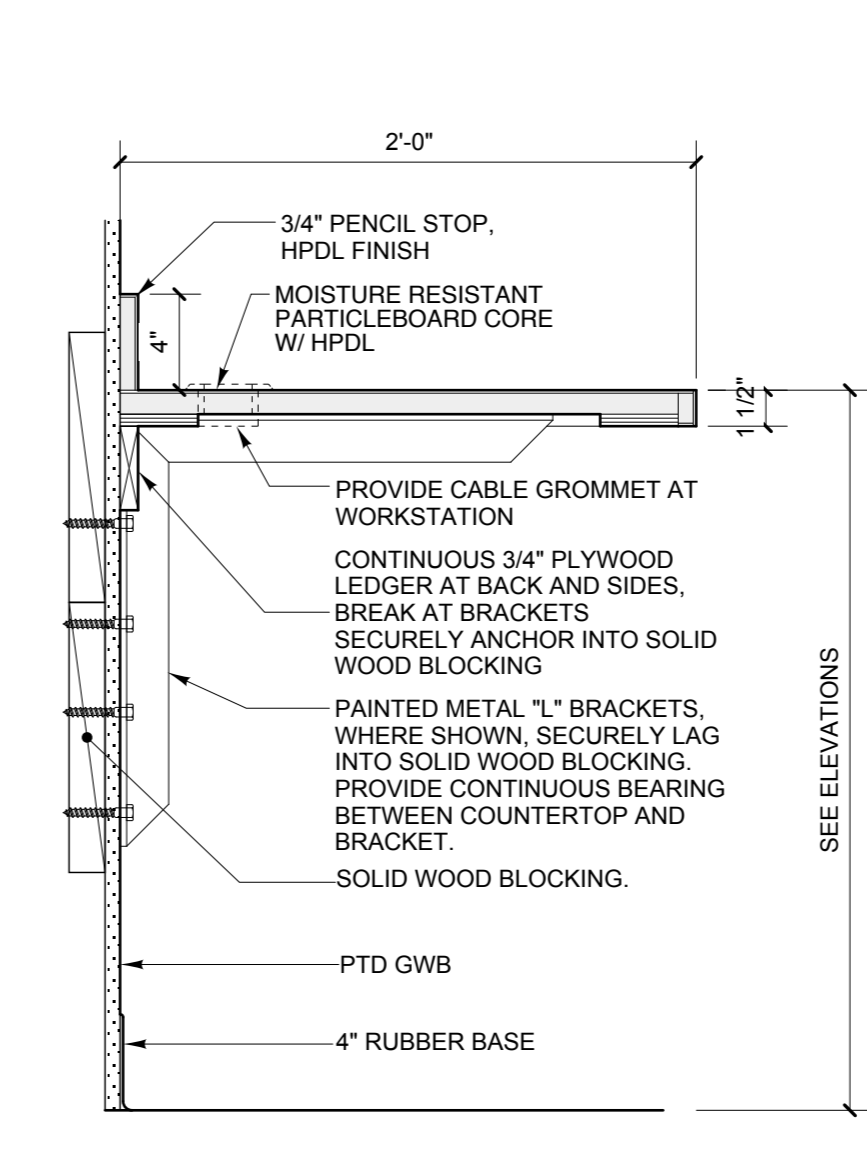
A BASE AND WALL CABINET  
1 1/2" = 1'-0"



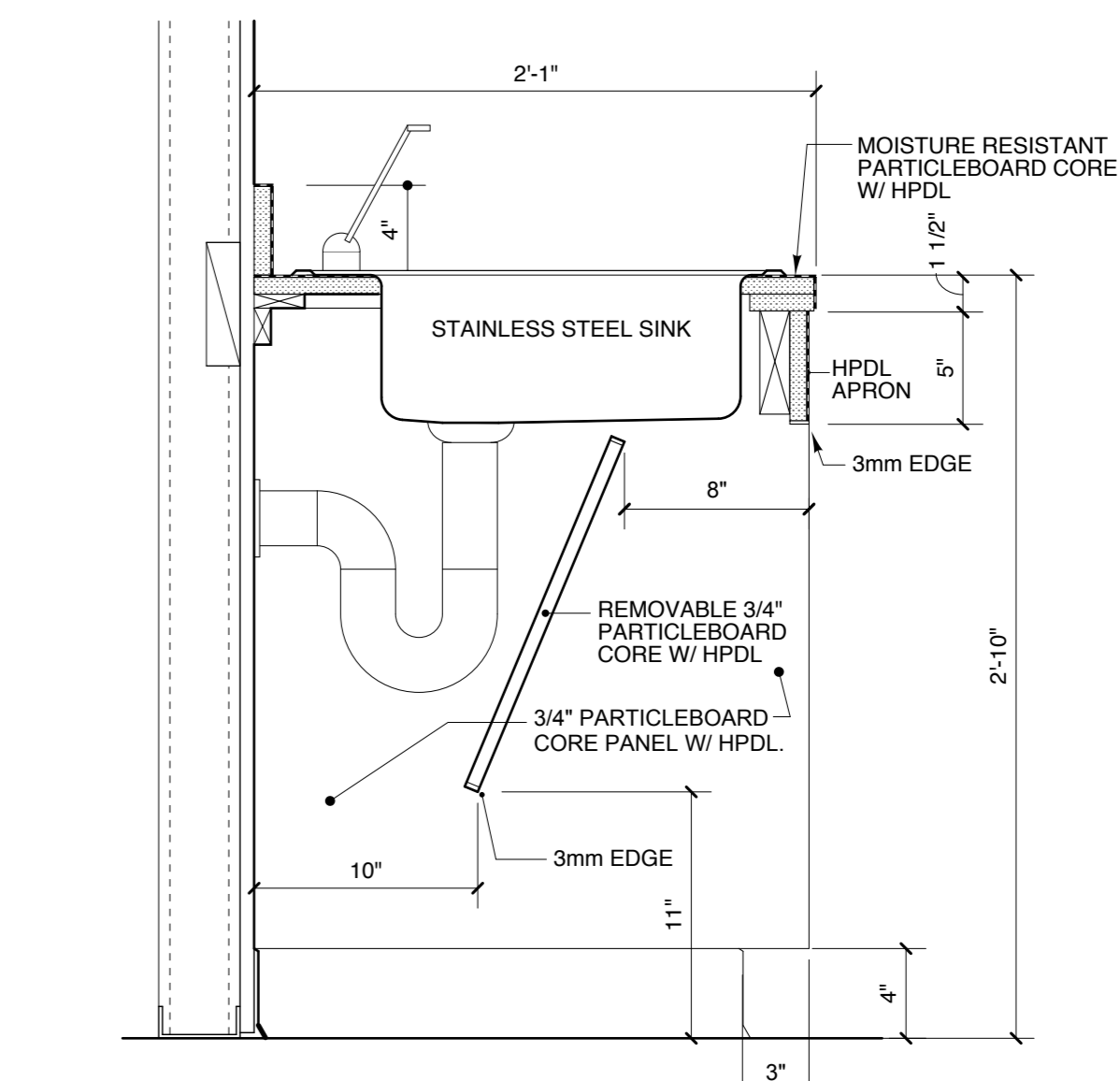
B SINK BASE CABINET  
1 1/2" = 1'-0"



C DRAWER BASE CABINET  
1 1/2" = 1'-0"



E COUNTER DETAIL W/ BRACKETS  
1 1/2" = 1'-0"



F COUNTER SECTION AT SINK  
1 1/2" = 1'-0"