

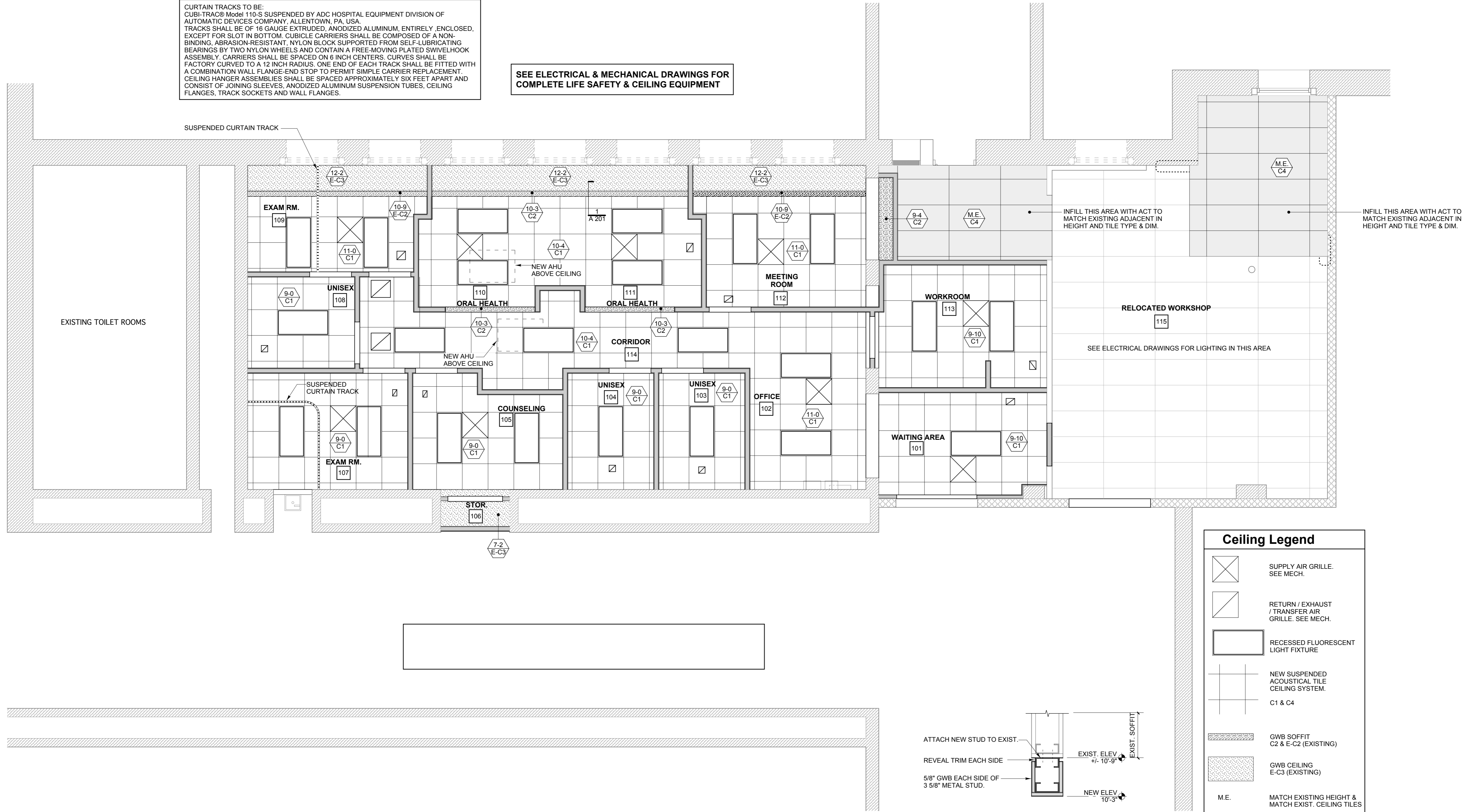


Winton Scott Architects
 5 Milk Street
 Portland, Maine 04101
 207 774 4811
 www.wintonscott.com

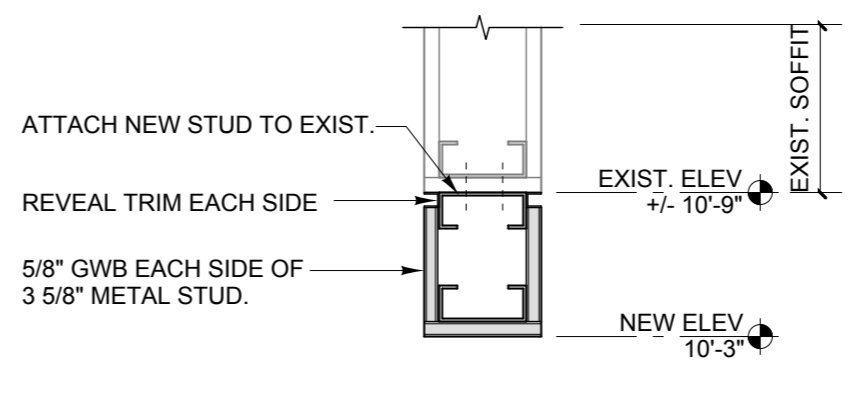
Architecture / Planning
 Preservation Architecture
 Interior Architecture

CURTAIN TRACKS TO BE:
 CUBI-TRAC® Model 110-S SUSPENDED BY ADC HOSPITAL EQUIPMENT DIVISION OF
 AUTOMATIC DEVICES COMPANY, ALLENTOWN, PA, USA.
 TRACKS SHALL BE OF 16 GAUGE EXTRUDED, ANODIZED ALUMINUM, ENTIRELY ENCLOSED,
 EXCEPT FOR SLOT IN BOTTOM. CUBICLE CARRIERS SHALL BE COMPOSED OF A NON-
 BINDING, ABRASION-RESISTANT, NYLON BLOCK SUPPORTED FROM SELF-LUBRICATING
 BEARINGS BY TWO NYLON WHEELS AND CONTAIN A FREE-MOVING PLATED SWIVELHOOK
 ASSEMBLY. CARRIERS SHALL BE SPACED ON 6 INCH CENTERS. CURVES SHALL BE
 FACTORY CURVED TO A 12 INCH RADIUS. ONE END OF EACH TRACK SHALL BE FITTED WITH
 A COMBINATION WALL FLANGE-END STOP TO PERMIT SIMPLE CARRIER REPLACEMENT.
 CEILING HANGER ASSEMBLIES SHALL BE SPACED APPROXIMATELY SIX FEET APART AND
 CONSIST OF JOINING SLEEVES, ANODIZED ALUMINUM SUSPENSION TUBES, CEILING
 FLANGES, TRACK SOCKETS AND WALL FLANGES.

SEE ELECTRICAL & MECHANICAL DRAWINGS FOR
 COMPLETE LIFE SAFETY & CEILING EQUIPMENT



Ceiling Legend	
	SUPPLY AIR GRILLE. SEE MECH.
	RETURN / EXHAUST / TRANSFER AIR GRILLE. SEE MECH.
	RECESSED FLUORESCENT LIGHT FIXTURE
	NEW SUSPENDED ACOUSTICAL TILE CEILING SYSTEM. C1 & C4
	GWB SOFFIT C2 & E-C2 (EXISTING)
	GWB CEILING E-C3 (EXISTING)
	M.E. MATCH EXISTING HEIGHT & MATCH EXIST. CEILING TILES



1 SOFFIT DETAIL
 1 1/2" = 1'-0"

REFLECTED CEILING PLAN

1/4" = 1'-0"

Portland High
 School Health
 Clinic

284 Cumberland Ave.
 Portland, Maine

BID SET
 April 24, 2013

Reflected Ceiling Plan

1/4" = 1' - 0"

A 201