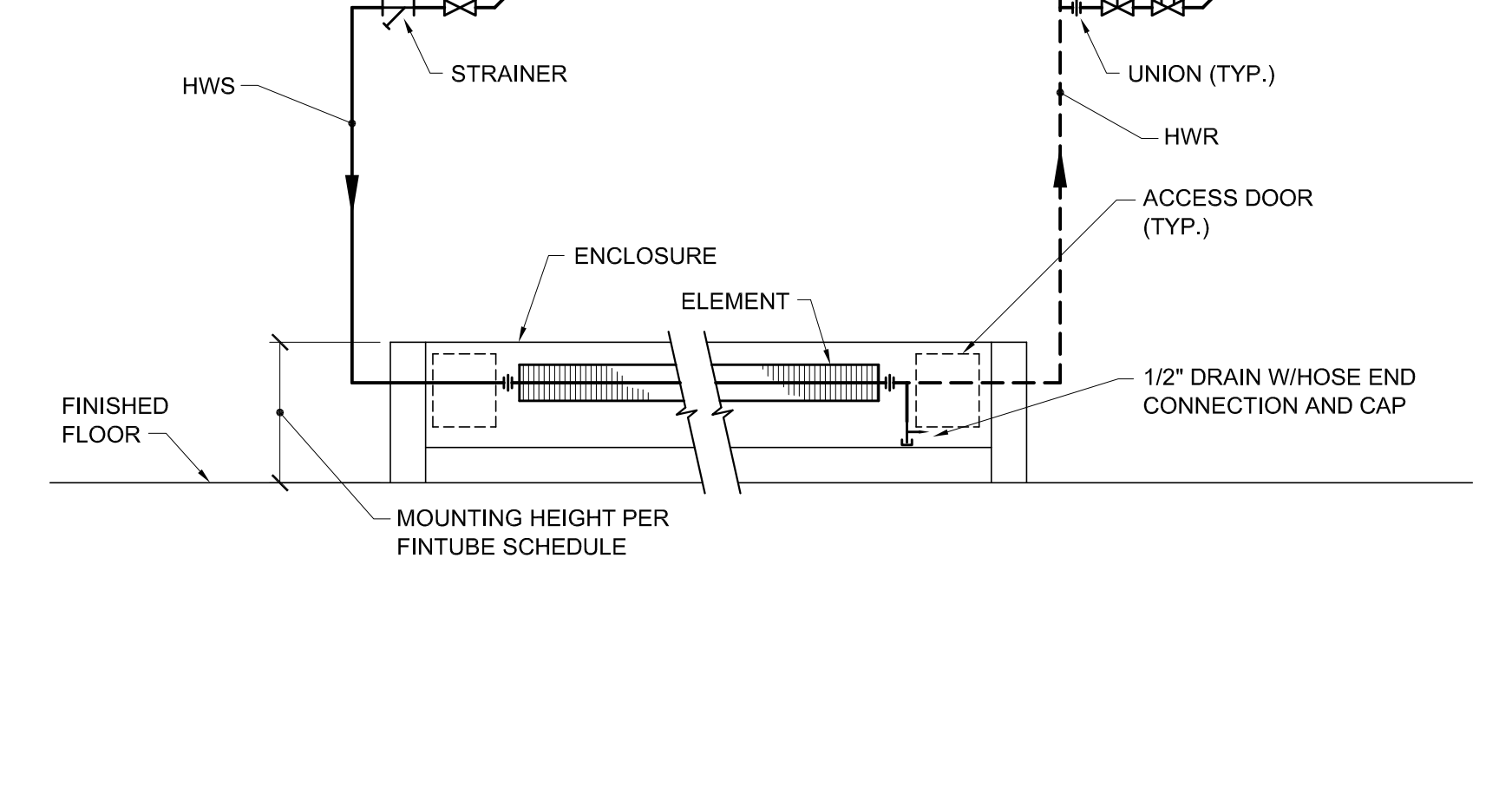
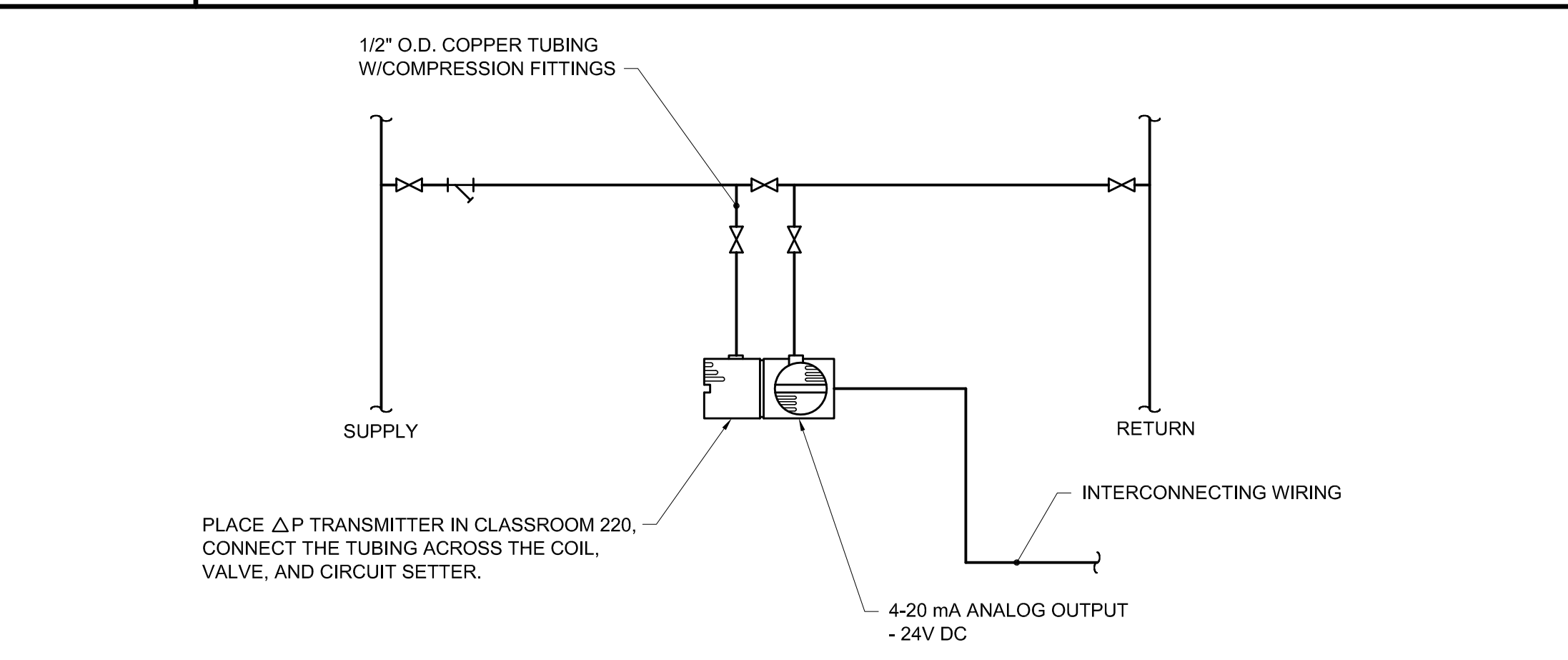
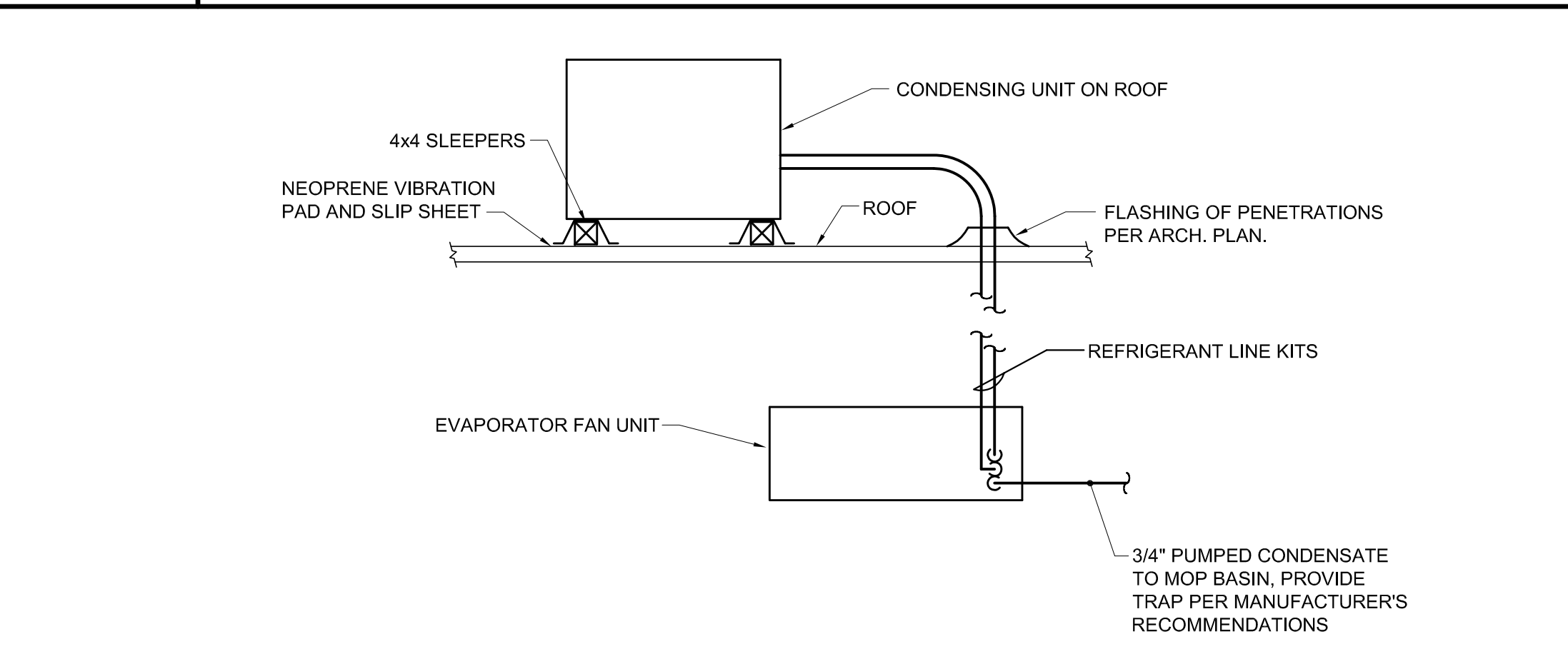
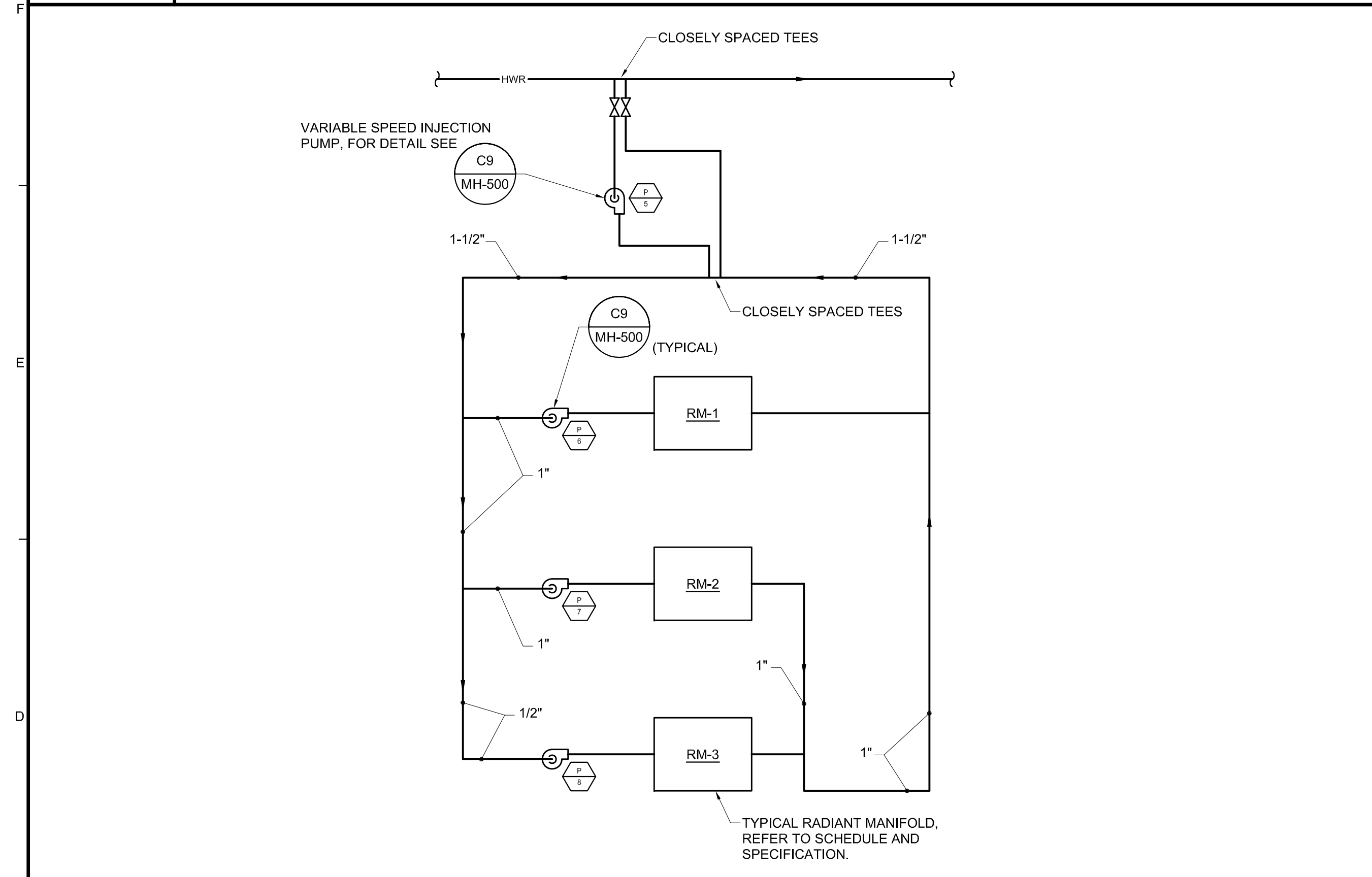


F1 -

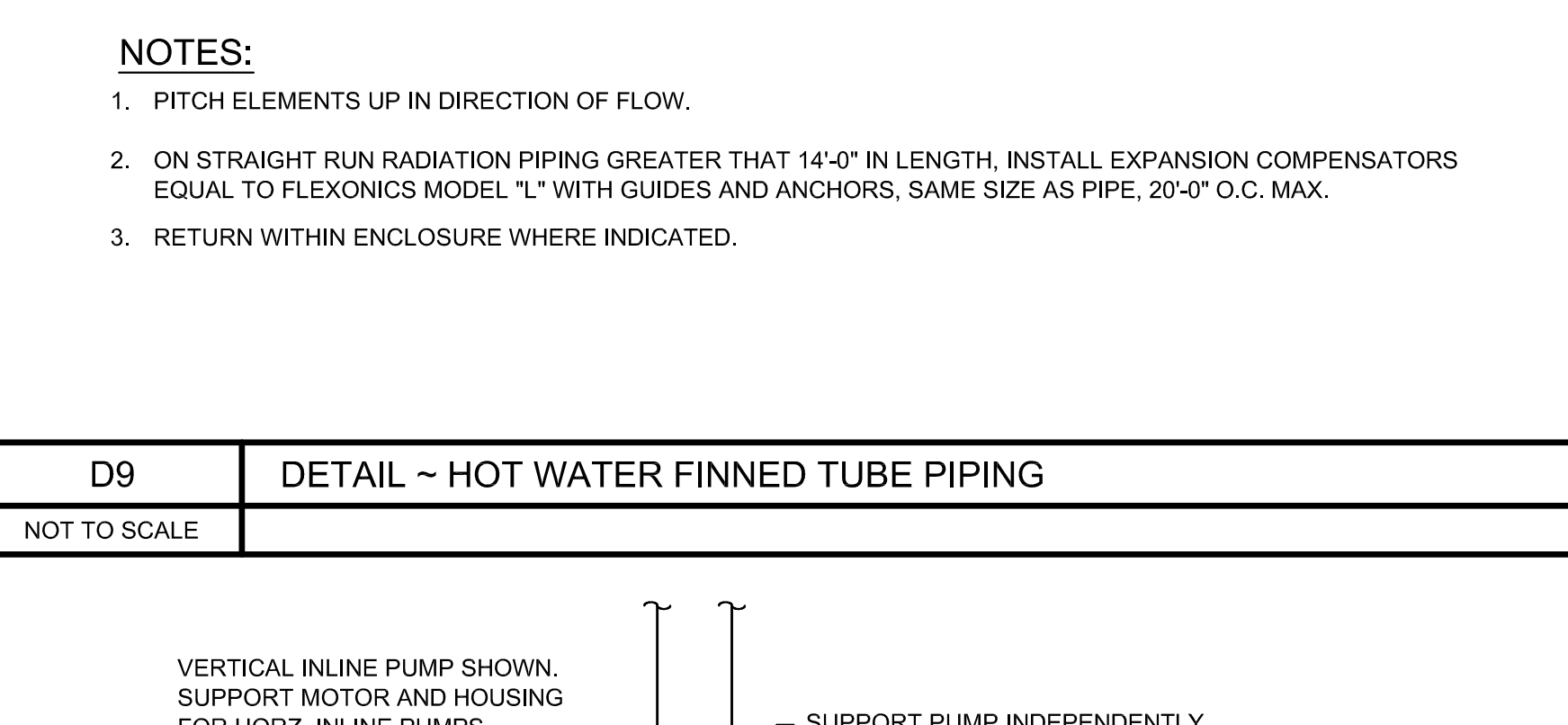
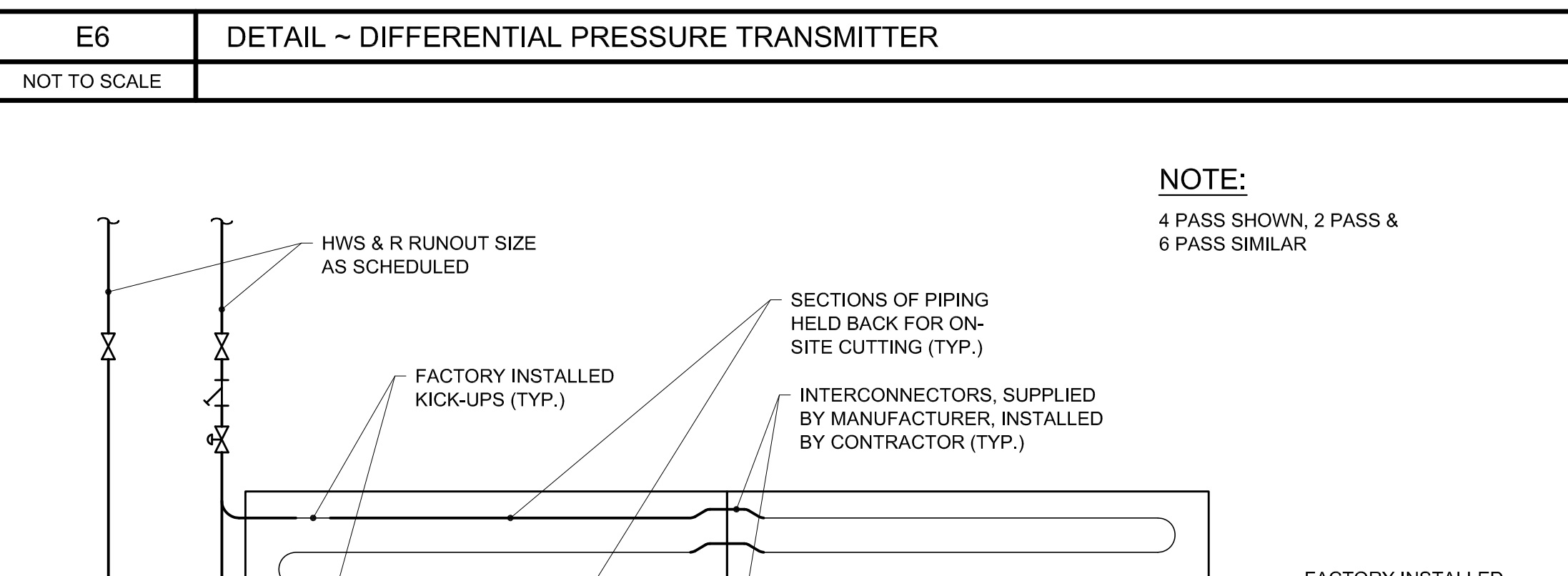
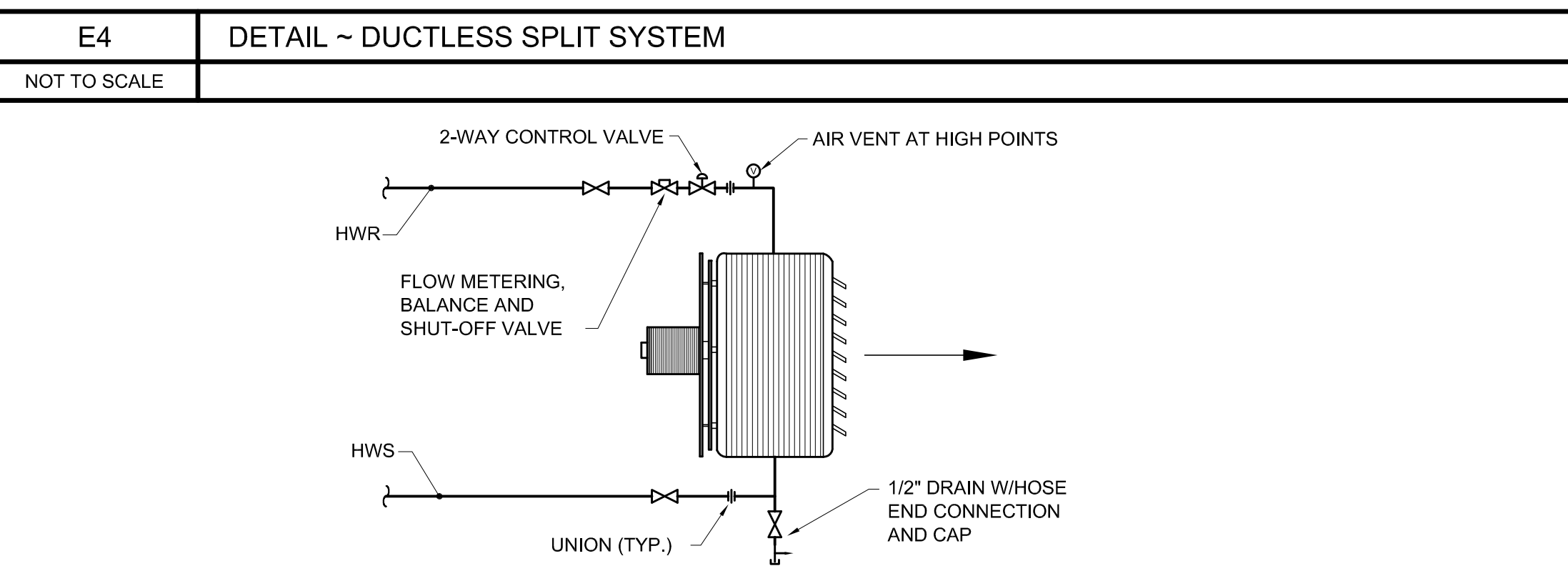
F4 DETAIL - MECHANICAL ROOF MOUNTED GRAVITY INTAKE/EXHAUST  
NOT TO SCALE

F6 DETAIL - MAKE-UP WATER, AIR SEPERATOR AND EXPANSION TANK  
NOT TO SCALE

D9 DETAIL - HOT WATER FINNED TUBE PIPING  
NOT TO SCALE



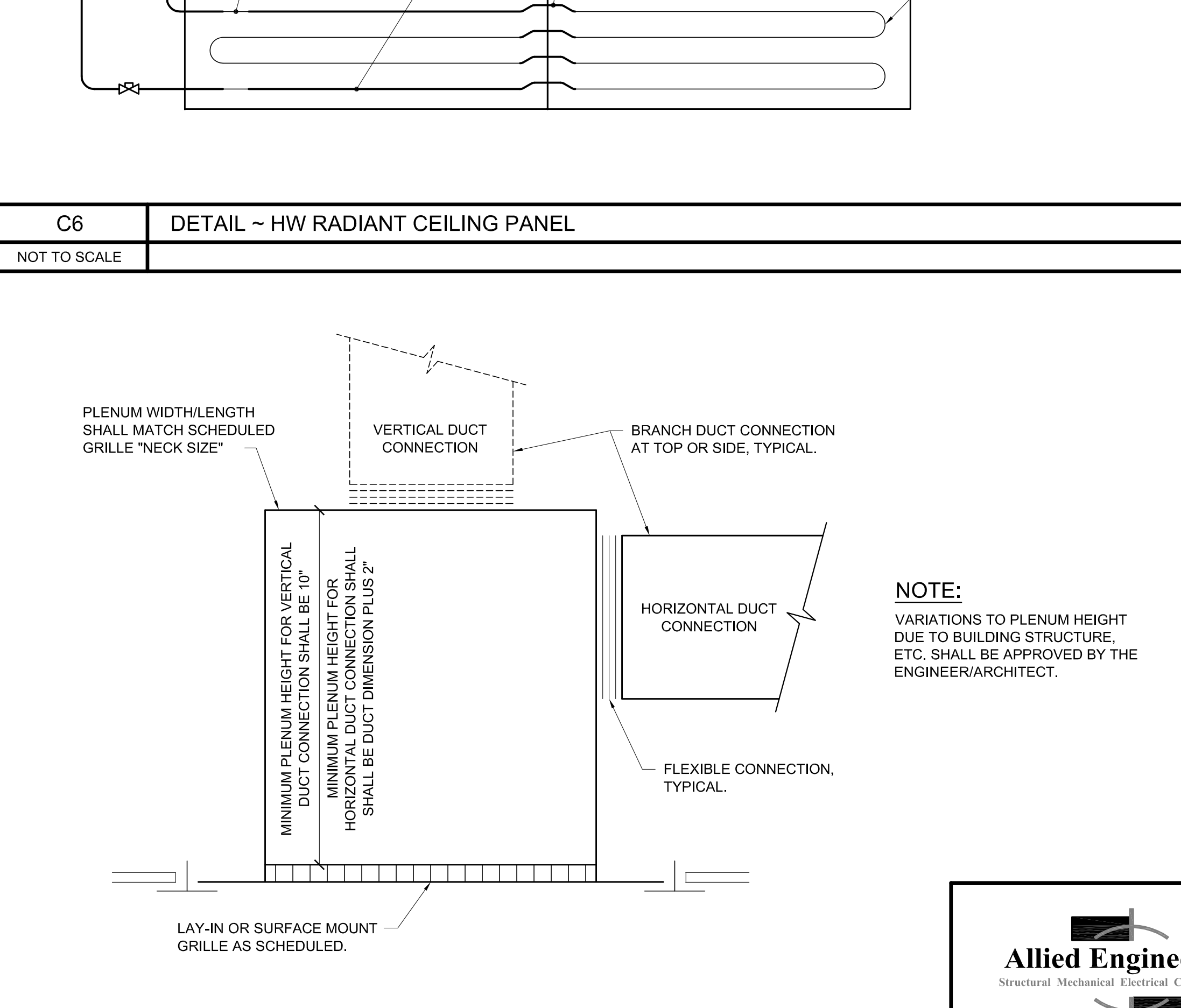
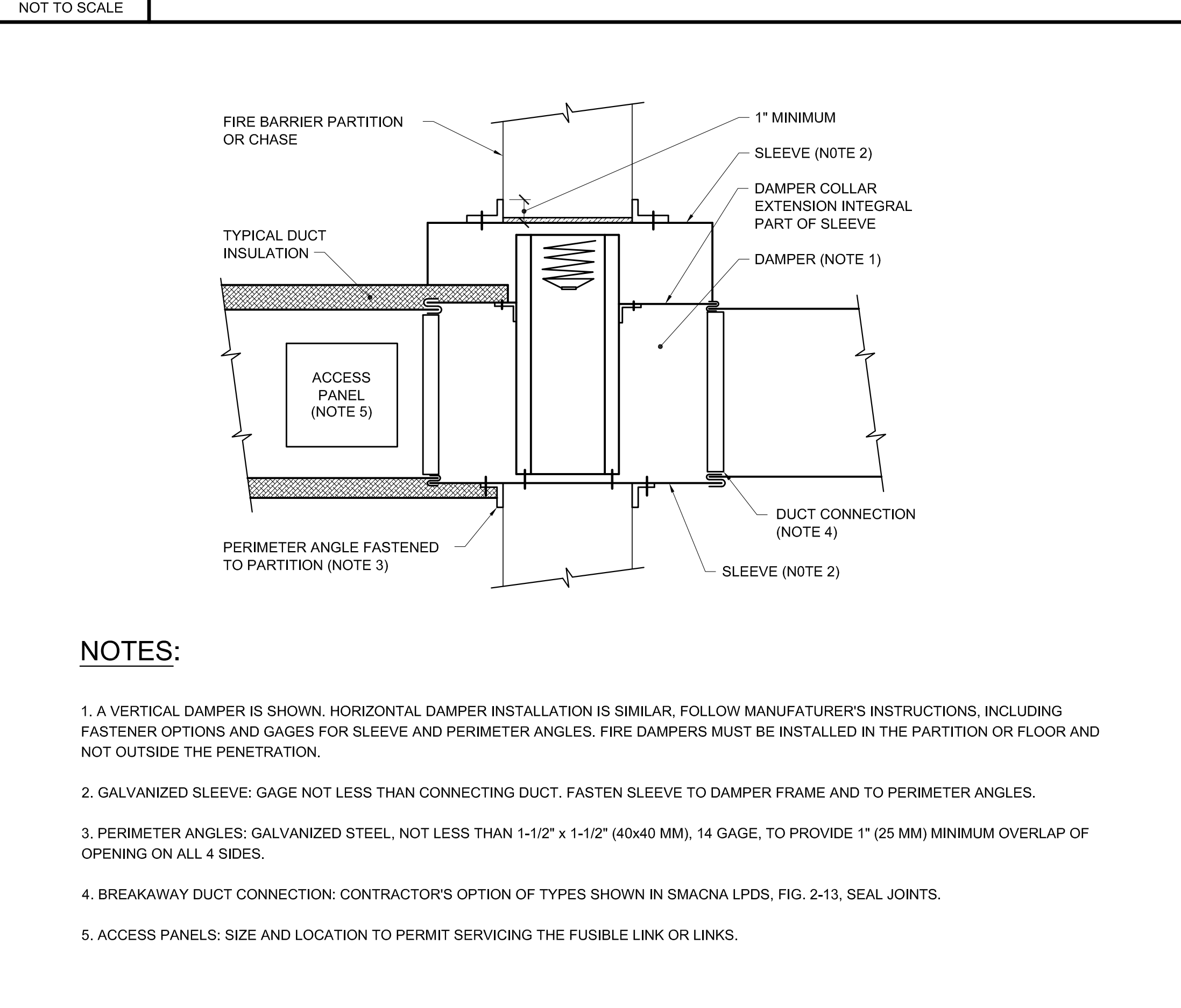
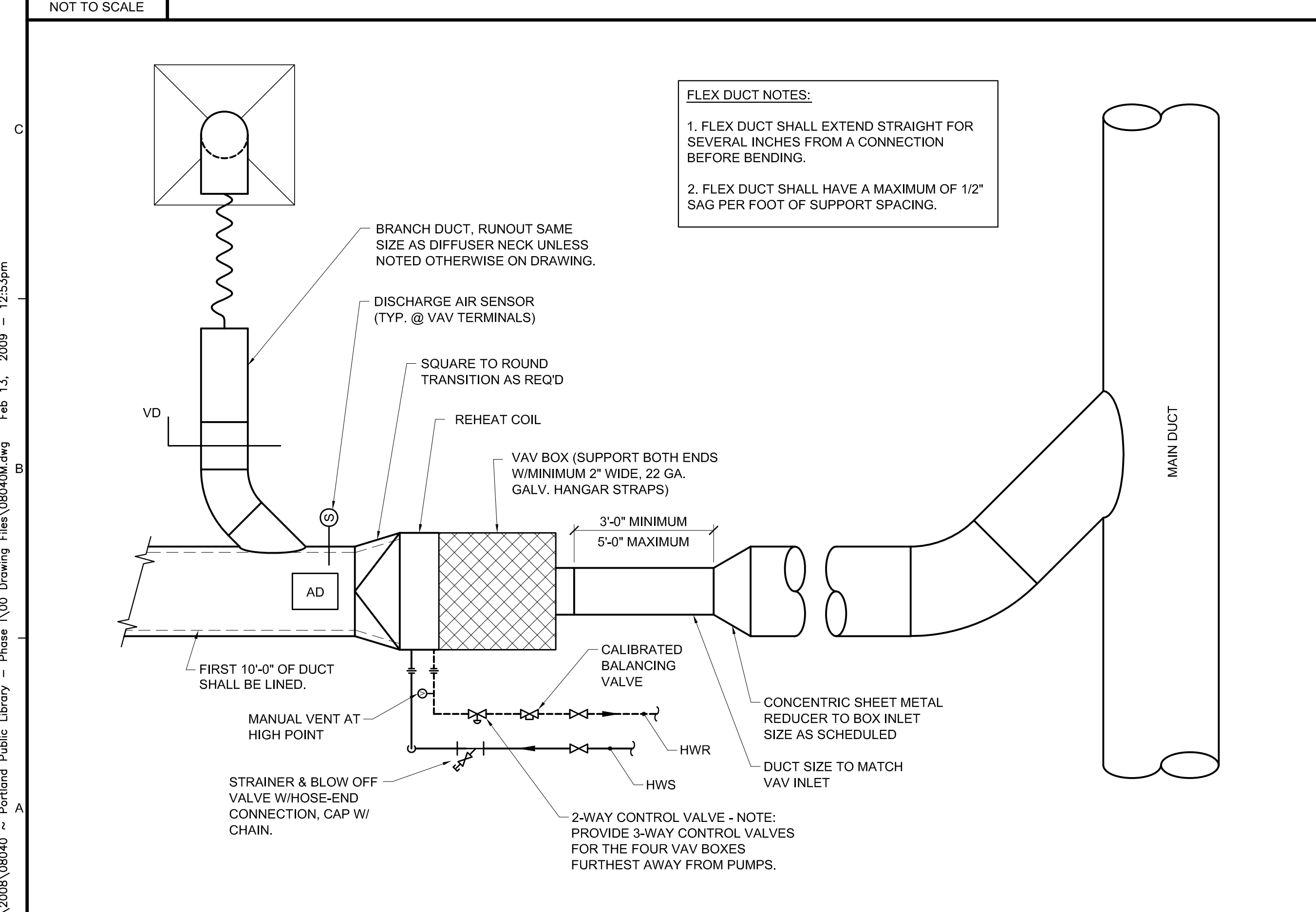
D1 DETAIL - RADIANT HEAT PIPING  
NOT TO SCALE



D4 DETAIL - MECHANICAL UNIT HEATER PIPING - CONVECTOR & FINNED TUBE SIMILAR  
NOT TO SCALE

C6 DETAIL - HW RADIANT CEILING PANEL  
NOT TO SCALE

C9 DETAIL - IN-LINE PUMP  
NOT TO SCALE



**PROJECT**  
Portland Public Library Renovation  
PORTLAND, ME

**TITLE**  
MECHANICAL DETAILS

**STATUS:**  
Issued for Bidding

**DATE:** 02-13-2009  
**SCALE:** As Noted  
**PROJECT NO.:** 2008-0030  
**DRAWN BY:** REW  
**DWG NO.:** MH-500

**REVISION (DATE):**

**STATE OF MAINE**  
LICENSED PROFESSIONAL ENGINEER  
IAN A. MACDONALD  
No. 6990

**Allied Engineering**  
Structural Mechanical Electrical Commissioning  
160 Veranda Street  
Portland, Maine 04103  
T: 307.221.2208  
F: 307.221.2266  
Web: www.allied-eng.com

Allied Project No: 08040 Cad File: 08040M.DWG Checked By: IAM

A1 DETAIL - VAV BOX  
NOT TO SCALE

A4 DETAIL - SECTION THROUGH TYPICAL FIRE DAMPER  
NOT TO SCALE

A6 DETAIL - RETURN AIR REGISTER BOOT  
NOT TO SCALE

D9 DETAIL - HOT WATER FINNED TUBE PIPING  
NOT TO SCALE

I:\Project\2008\08040 - Portland Public Library - Phase 1\03\_Drawing Files\08040.dwg Feb 13, 2009 - 12:53pm