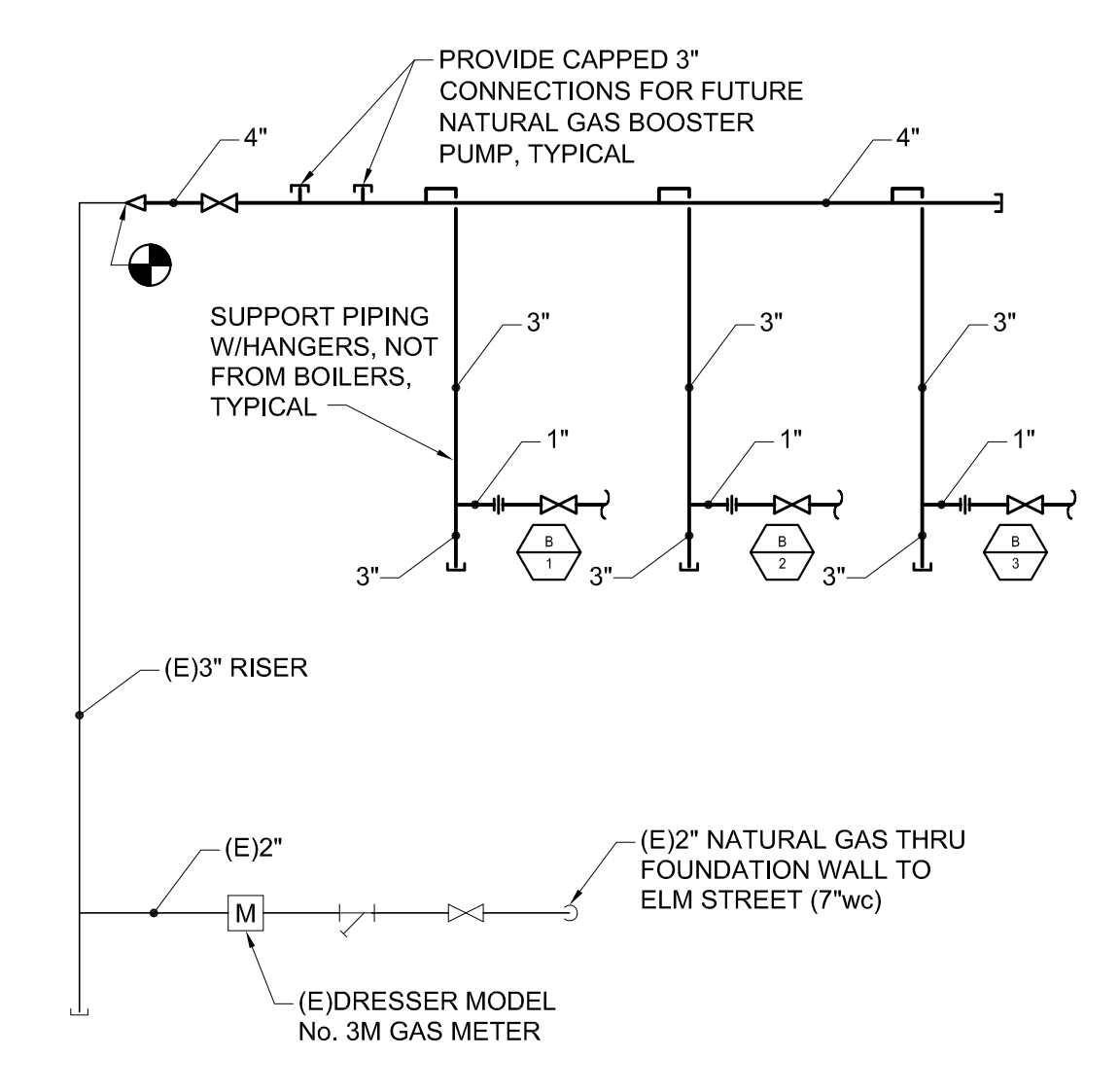


- KEYED NOTES:**
- 1 PUMP P.1 IN VERTICAL
 - 2 PUMP P.2 IN VERTICAL
 - 3 PUMP P.3 IN VERTICAL
 - 4 7'-6" A.F.F.
 - 5 9'-0" A.F.F.
 - 6 4" NATURAL GAS, RISE OUTSIDE WALL, ENTER INTO PENTHOUSE, FLASH AND SEAL WATER TIGHT.
 - 7 BOTTOM OF AIR SEPARATOR (AS) AT 7'-6" A.F.F. MINIMUM.
 - 8 MAINTAIN A MINIMUM 4'-0" CLEAR AISLE WIDTH.
 - 9 TERMINATE VENTS PER MFR'S RECOMMENDATIONS.
 - 10 MODIFY (E)AHUS AS INDICATED IN SPECS. AND AHU SCHEDULE.
 - 11 SEAL WATER TIGHT AS SPECIFIED IN SECTION 230500.
 - 12 HOLE TO BE CUT IN THE GRANITE WALL BY THE S.C. PROVIDE A 3'-0"x1'-0" PLENUM THAT ENCASES THE HOLE, FASTEN/SEAL PLENUM TO BACK OF WALL. PROVIDE A 1'-0"x1'-0" ACCESS PANEL IN PLENUM.
 - 13 SEE SHEET A-201 FOR ELEVATION OF THE HEAT WALL.



C9 DETAIL ~ NATURAL GAS PIPING
NOT TO SCALE

<p>Scott Simons Architects 75 York Street Portland, Maine 04101 tel: 207.772.4656 fax: 207.628.4656 web: www.ssimonsarchitects.com</p>	<p>PROJECT</p> <p>Portland Public Library Renovation</p> <p>PORTLAND, ME</p>
	<p>TITLE</p> <p>MECHANICAL PLANS ~ PENTHOUSE</p>

<p>THIS DRAWING IS THE PROPERTY OF SCOTT SIMONS ARCHITECTS AND IS NOT TO BE COPIED OR REPRODUCED IN PART OR WHOLE.</p>	<p>STATUS:</p> <p>Issued for Bidding</p>
<p>DATE: 02-13-2009</p> <p>SCALE: As Noted</p> <p>PROJECT NO. 2008-0030</p> <p>DRAWN BY: REW</p> <p>DWG NO. MH-400</p>	<p>REVISION (DATE):</p>

Allied Engineering
Structural Mechanical Electrical Commissioning

160 Veranda Street
Portland, Maine 04103
Tel: 307.221.2268
Fax: 307.221.2266
Web: www.allied-eng.com

Allied Project No: 08040 Cad File: 08040M.DWG Checked By: IAM

I:\Projects\2008\08040 - Portland Public Library - Phase 1\08 Drawing Files\08040.dwg Feb 13, 2009 - 12:54pm