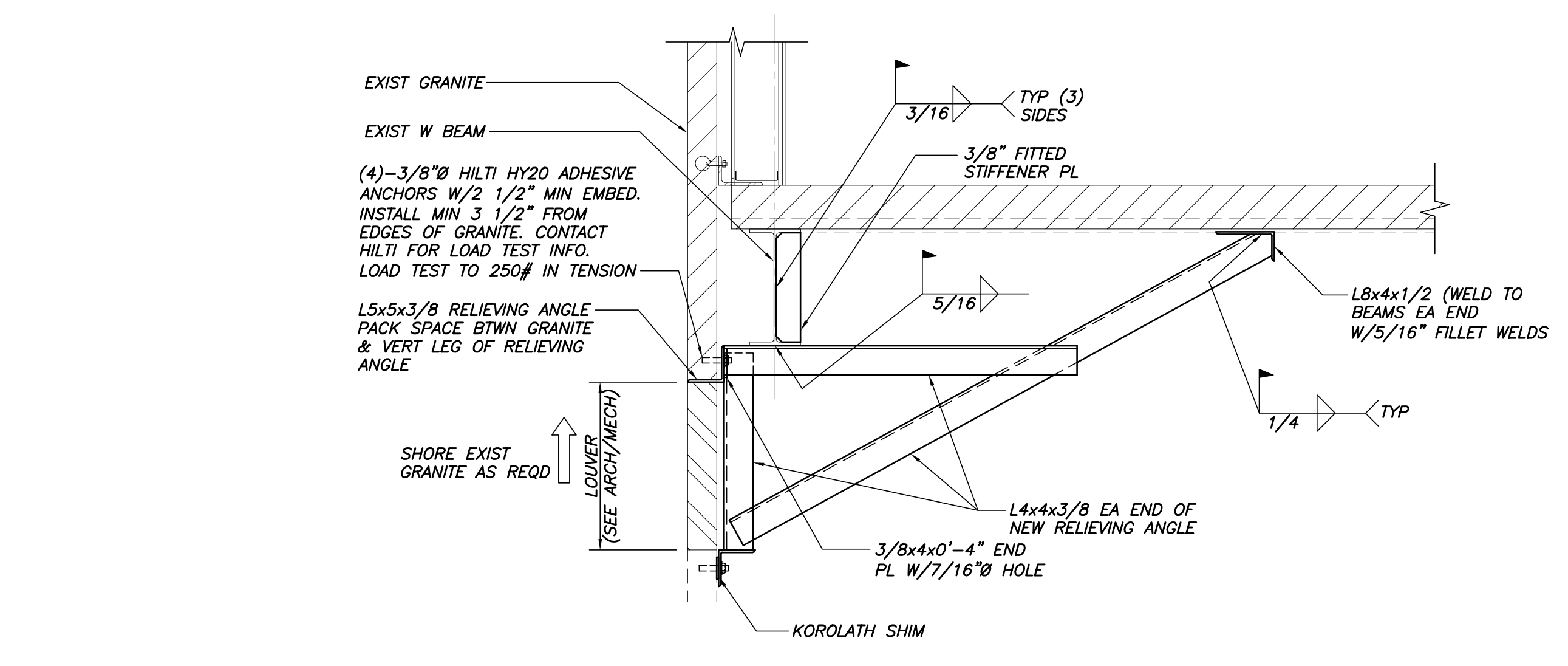
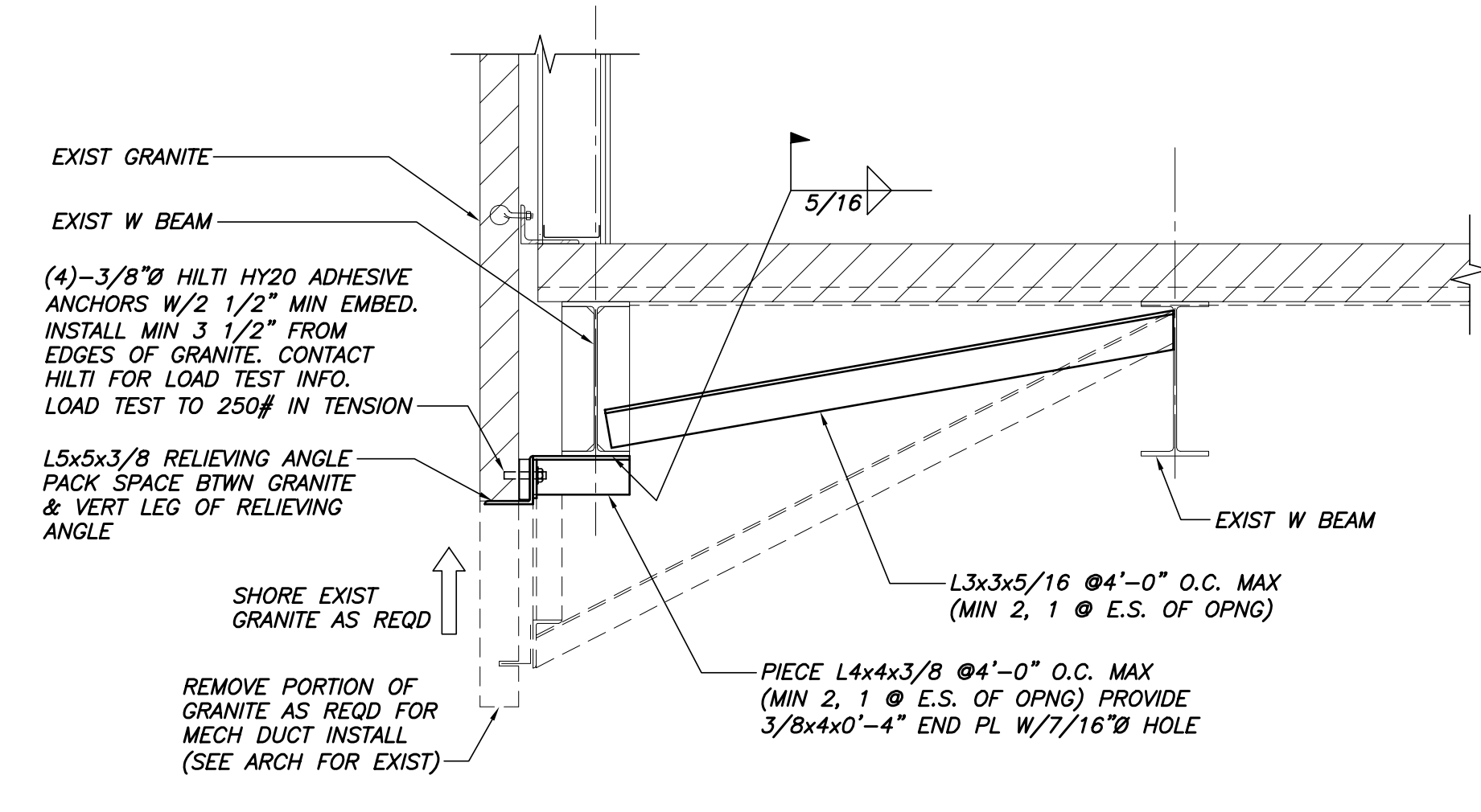


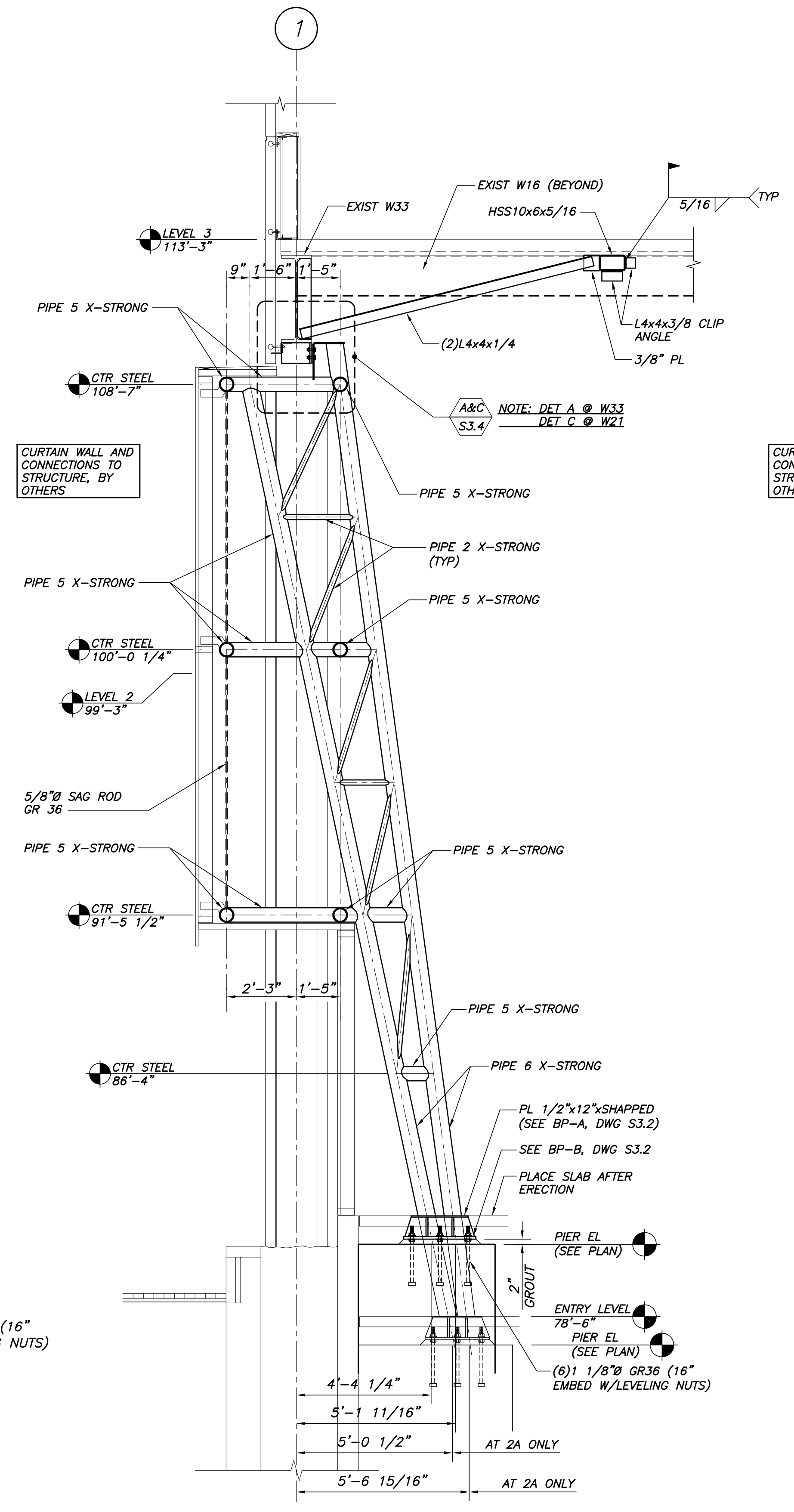
SECTION 1
3/8"=1'-0" S1.1-S1.3



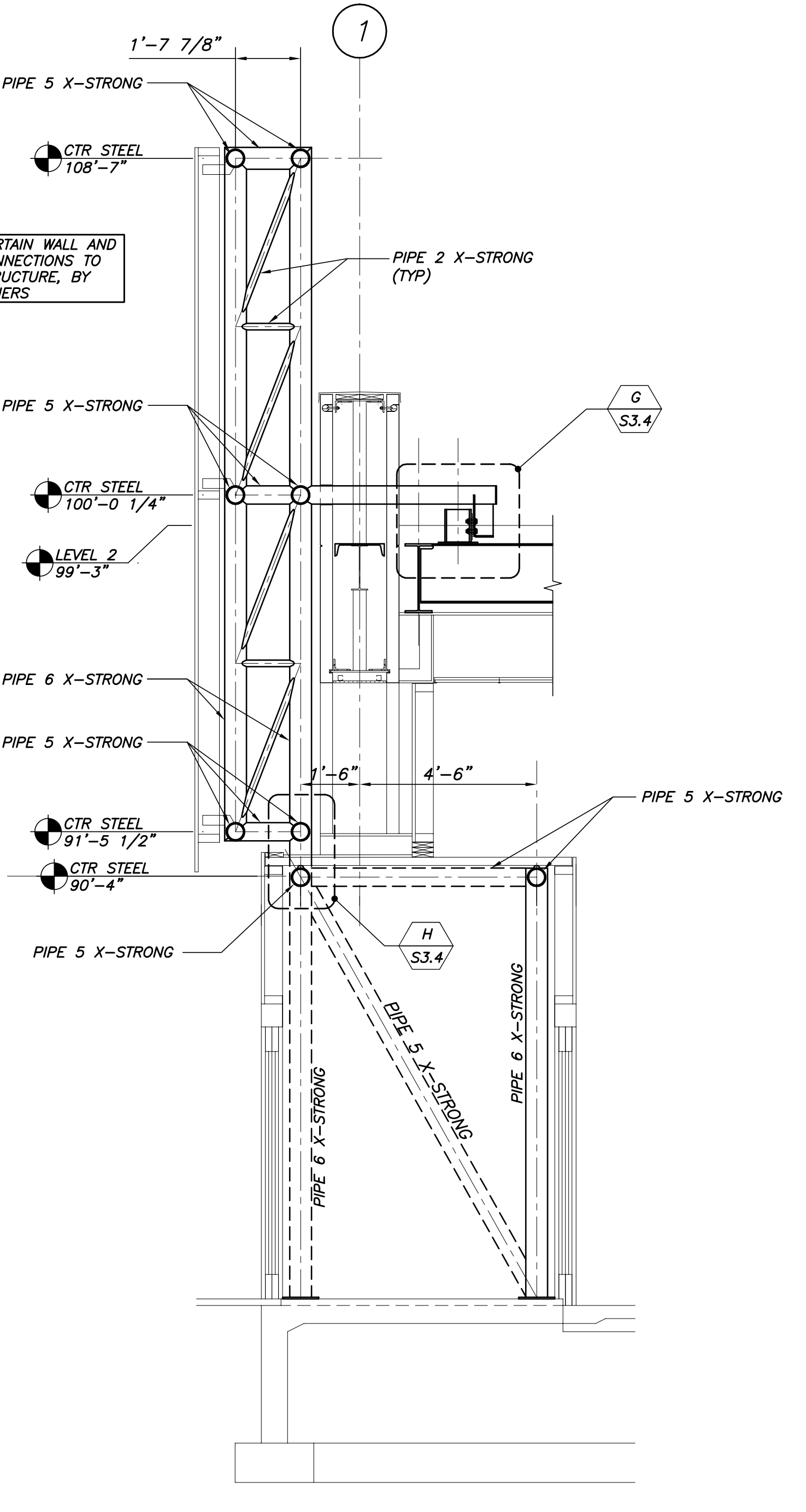
SECTION 5
3/4"=1'-0" S1.2



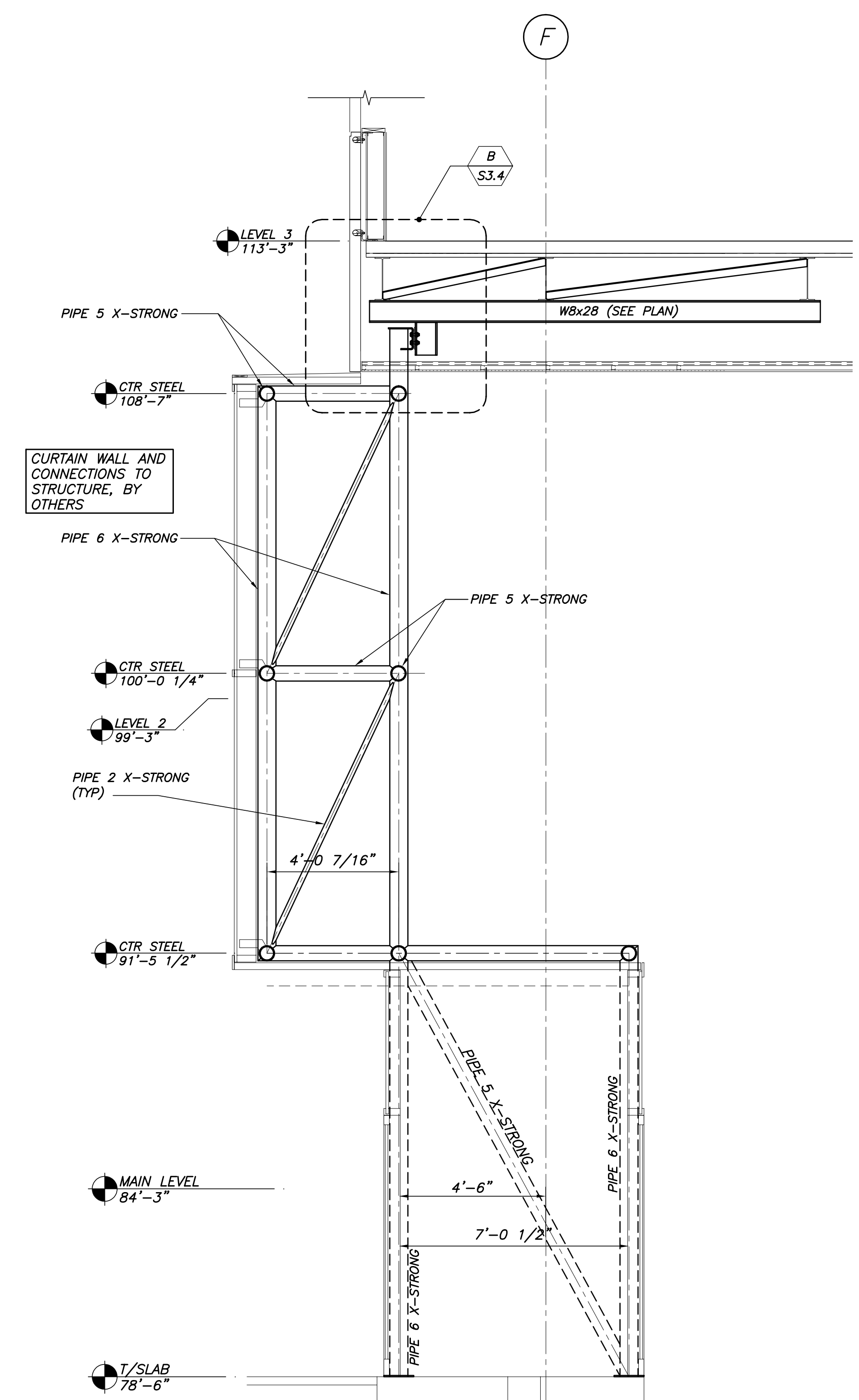
SECTION 6
3/4"=1'-0" S1.2



SECTION 2
3/8"=1'-0" S1.1-S1.3



SECTION 3
3/8"=1'-0" S1.1-S1.3



SECTION 4
3/8"=1'-0" S1.1-S1.3

BECKER
structural engineers, inc.
75 York Street
Portland, ME 04101-4901
Tel: 207-878-1838
Fax: 207-878-1832
www.beckereng.com



PROJECT
Portland Public Library Renovation
PORTLAND, ME

TITLE
SECTIONS

THIS DRAWING IS THE PROPERTY OF SCOTT SIMONS ARCHITECTS AND IS NOT TO BE COPIED OR REPRODUCED IN PART OR WHOLE.

STATUS:
ISSUED FOR BIDDING

DATE: 02.13.09
SCALE: NOTED
PROJECT NO: 2008-0020
DRAWN BY: MCI/APP
DWG NO. 2008-0020

REVISION / DATE:
△

2008 © Scott Simons Architects
S3.1