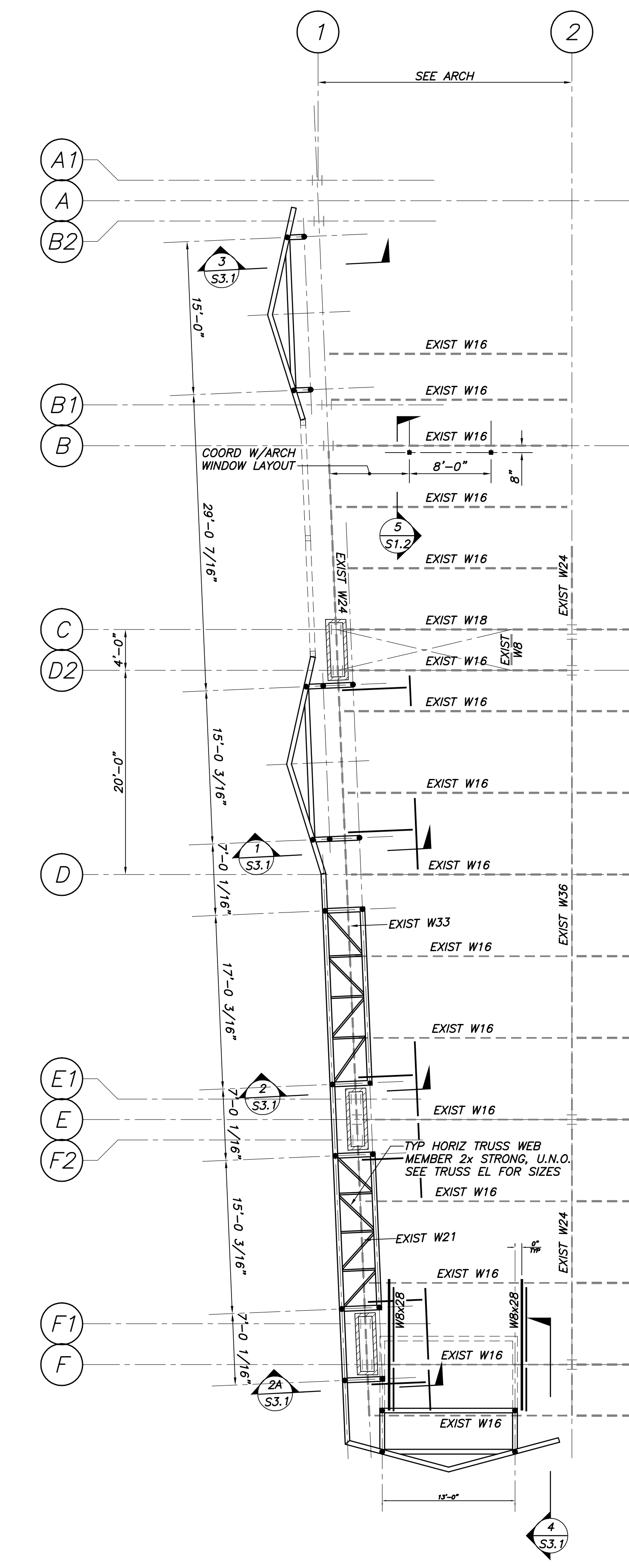
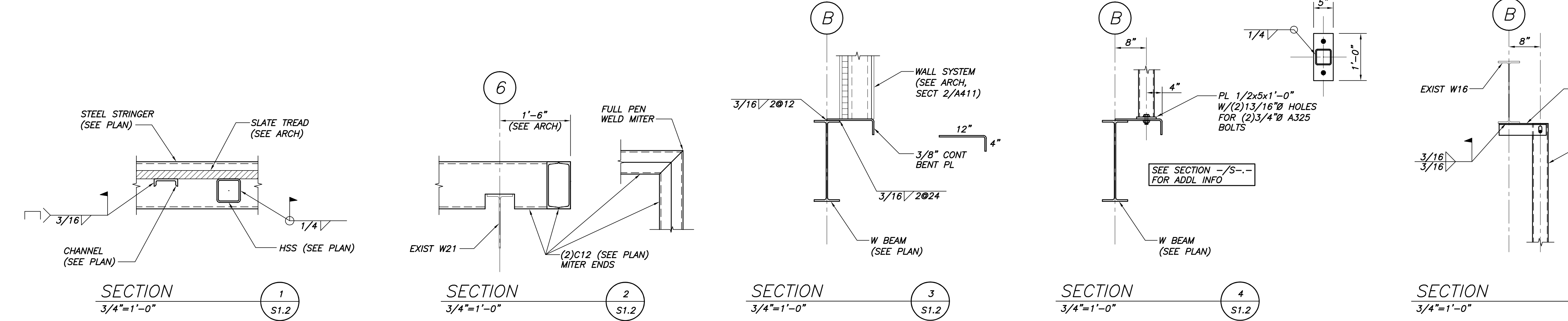


SECOND FLOOR FRAMING PLAN
1/8"=1'-0"

- NOTES:
1. REF TOP OF SLAB EL 99'-3" V.I.F.
 2. REF TOP OF STEEL EL 98'-9" V.I.F.
 3. INDICATES DIRECTION OF 1.5B18 PAINTED ROOF DECK (3 SPAN MIN).
 4. INDICATES 6" CONC SLAB (4" CONC ON 2VL18 GALV METAL DECK) W/6x6-W2.1xW2.1 W.W.F.

NOTE: ALL STAIR STRUCTURES NOT SPECIFIED HERE WITHIN SHALL BE DESIGNED BY THE STRUCTURAL STEEL FABRICATOR IN ACCORDANCE WITH THE 2003 INTERNATIONAL BUILDING CODE. STAIRS AND LANDING SHALL BE DESIGNED FOR A 100 PSF LIVE LOAD. COORDINATE ALL DETAILS WITH ARCHITECTURAL DRAWINGS AND SUBMIT FABRICATION DRAWINGS AND SIGNED AND SEALED CALCULATIONS FOR REVIEW.



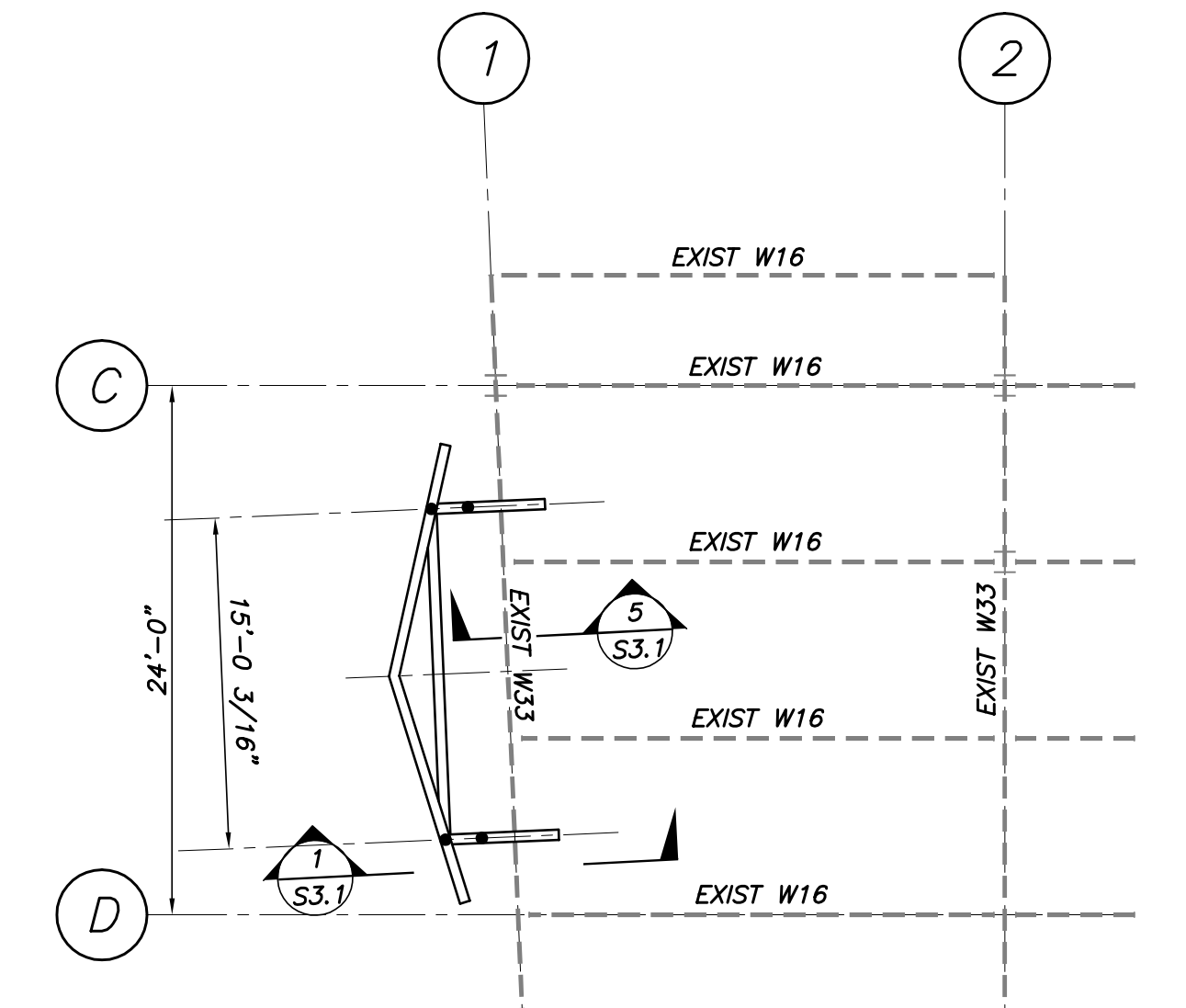
THIRD FLOOR FRAMING PLAN
1/8"=1'-0"

- NOTES:
1. REF TOP OF SLAB EL 113'-3" V.I.F.
 2. REF TOP OF STEEL EL 112'-9" V.I.F.
 3. FOR HORIZ TRUSS EL SEE DWG S3.1.

PLAN AT STAIR No. 6
1/8"=1'-0"

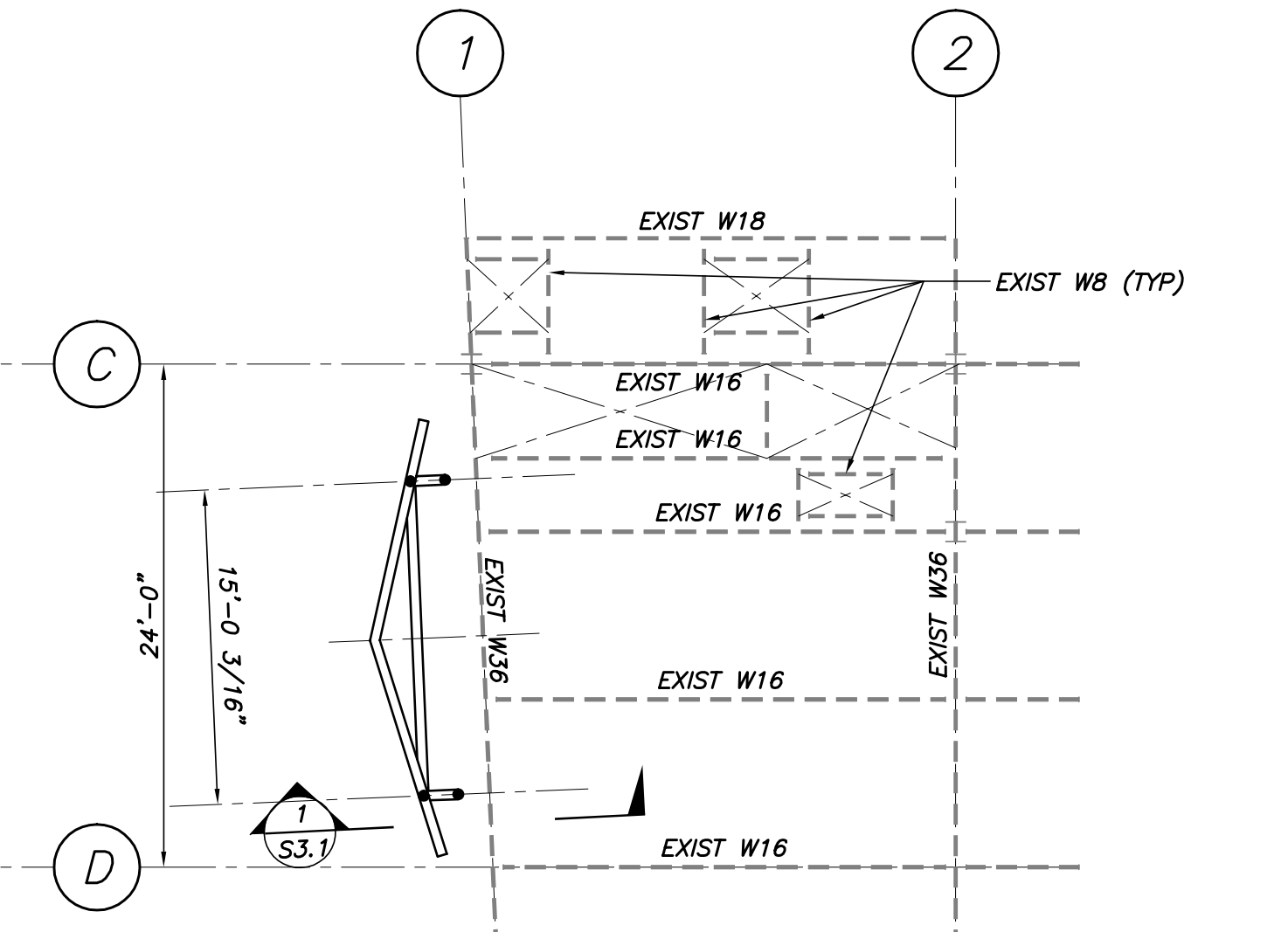
NOTE: SEE ARCH DWGS FOR ADDL STAIR DETAILING REQUIREMENTS

NOTE: STEEL TRUSS & EXIST FRAMING REINFORCEMENT TO SUPPORT EXIST SKYLIGHT RAFTERS FOR ADDL LOADING DUE TO NEW INSULATED GLASS PANELS (SEE ARCH DWGS FOR ADDL INFO).



PENTHOUSE ROOF FRAMING PLAN
1/8"=1'-0"

- NOTES:
1. REF TOP OF SLAB EL 142'-3" V.I.F.
 2. REF TOP OF STEEL EL 141'-9" V.I.F.
 3. FOR HORIZ TRUSS EL SEE DWG S3.1.



PENTHOUSE FLOOR FRAMING PLAN
1/8"=1'-0"

- NOTES:
1. REF TOP OF SLAB EL 127'-3" V.I.F.
 2. REF TOP OF STEEL EL 126'-9" V.I.F.
 3. FOR HORIZ TRUSS EL SEE DWG S3.1.

BECKER
structural engineers, inc.
75 York Street
Portland, ME 04101-4101
Tel: 207-878-1838
Fax: 207-878-1832
www.beckereng.com

<p>Scott Simons Architects 75 York Street Portland, Maine 04101 Tel: 207 772 4656 Fax: 207 658 4656 web: www.simonsarchitects.com</p>	<p>PROJECT</p> <p>Portland Public Library Renovation</p> <p>PORTLAND, ME</p>
	<p>TITLE</p> <p>LEVEL 2 FRAMING PLAN</p>
<p>THIS DRAWING IS THE PROPERTY OF SCOTT SIMONS ARCHITECTS AND IS NOT TO BE COPIED OR REPRODUCED IN PART OR WHOLE.</p>	<p>STATUS:</p> <p>ISSUED FOR BIDDING</p>
<p>DATE: 02.13.09</p> <p>SCALE: NOTED</p> <p>PROJECT NO: 2008-0020</p> <p>DRAWN BY: MCI/APP</p> <p>DWG NO. 2008 © Scott Simons Architects</p>	<p>REVISION / DATE:</p>