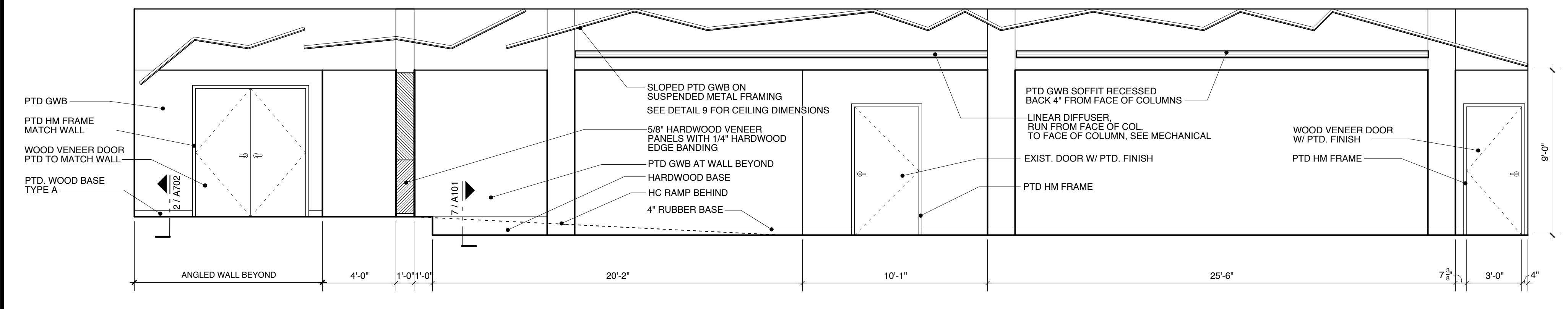
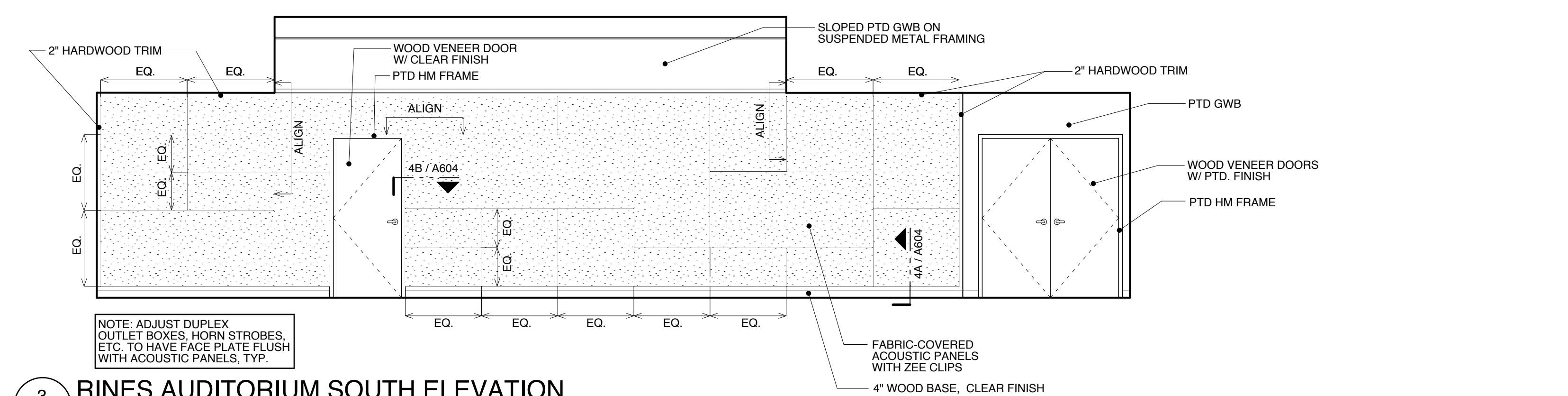


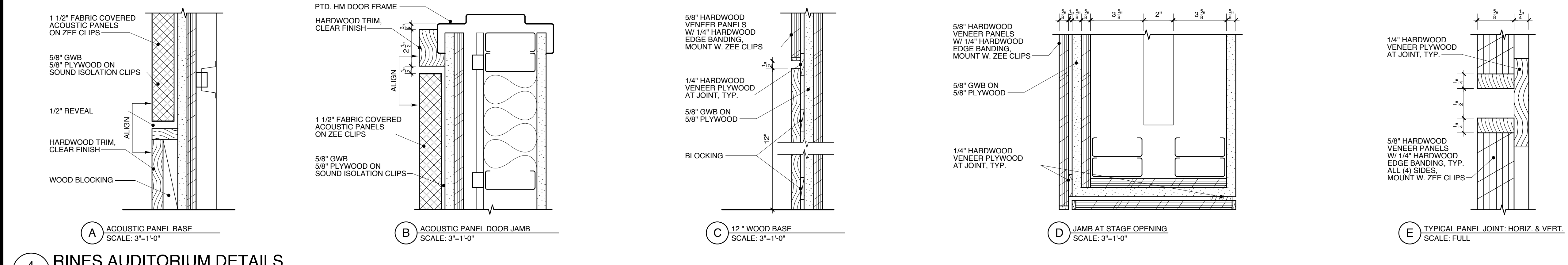
1 RINES AUDITORIUM NORTH ELEVATION
SCALE: 1/4" = 1'-0"



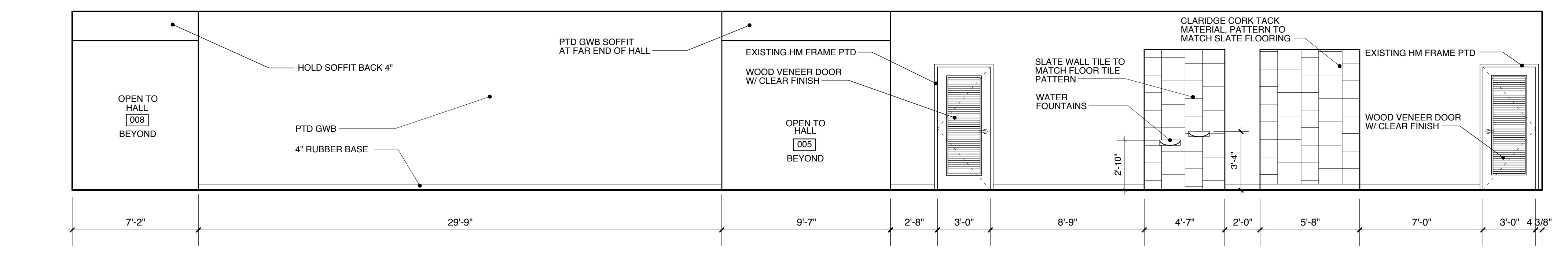
2 RINES AUDITORIUM EAST ELEVATION
SCALE: 1/4" = 1'-0"



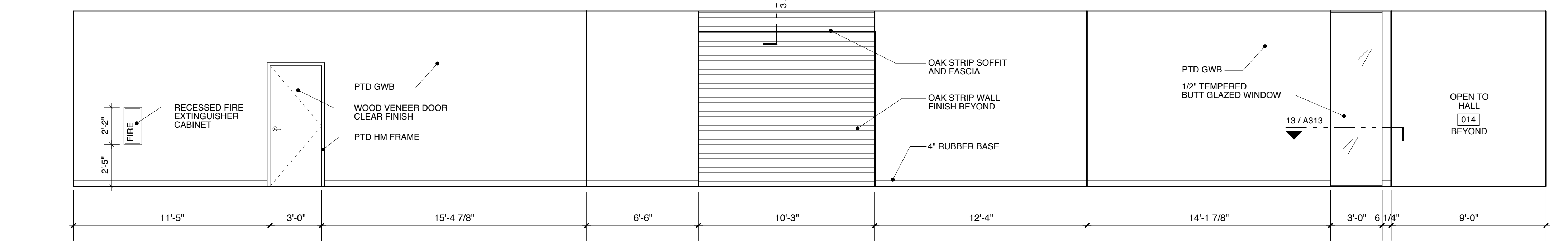
3 RINES AUDITORIUM SOUTH ELEVATION
SCALE: 1/4" = 1'-0"



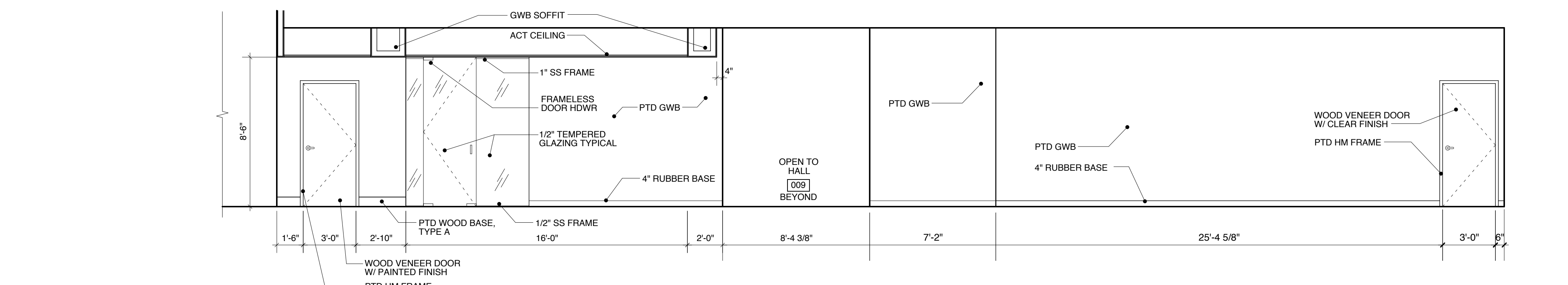
4 RINES AUDITORIUM DETAILS
SCALE: VARIES



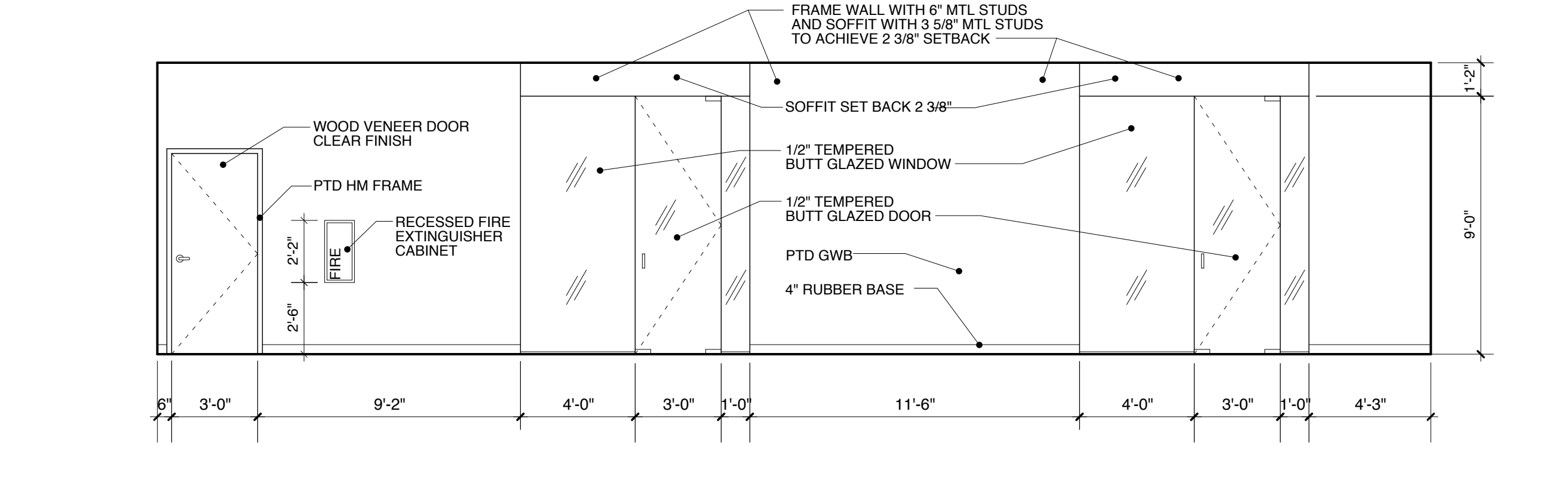
5 HALL 009 WEST ELEVATION
SCALE: 1/4" = 1'-0"



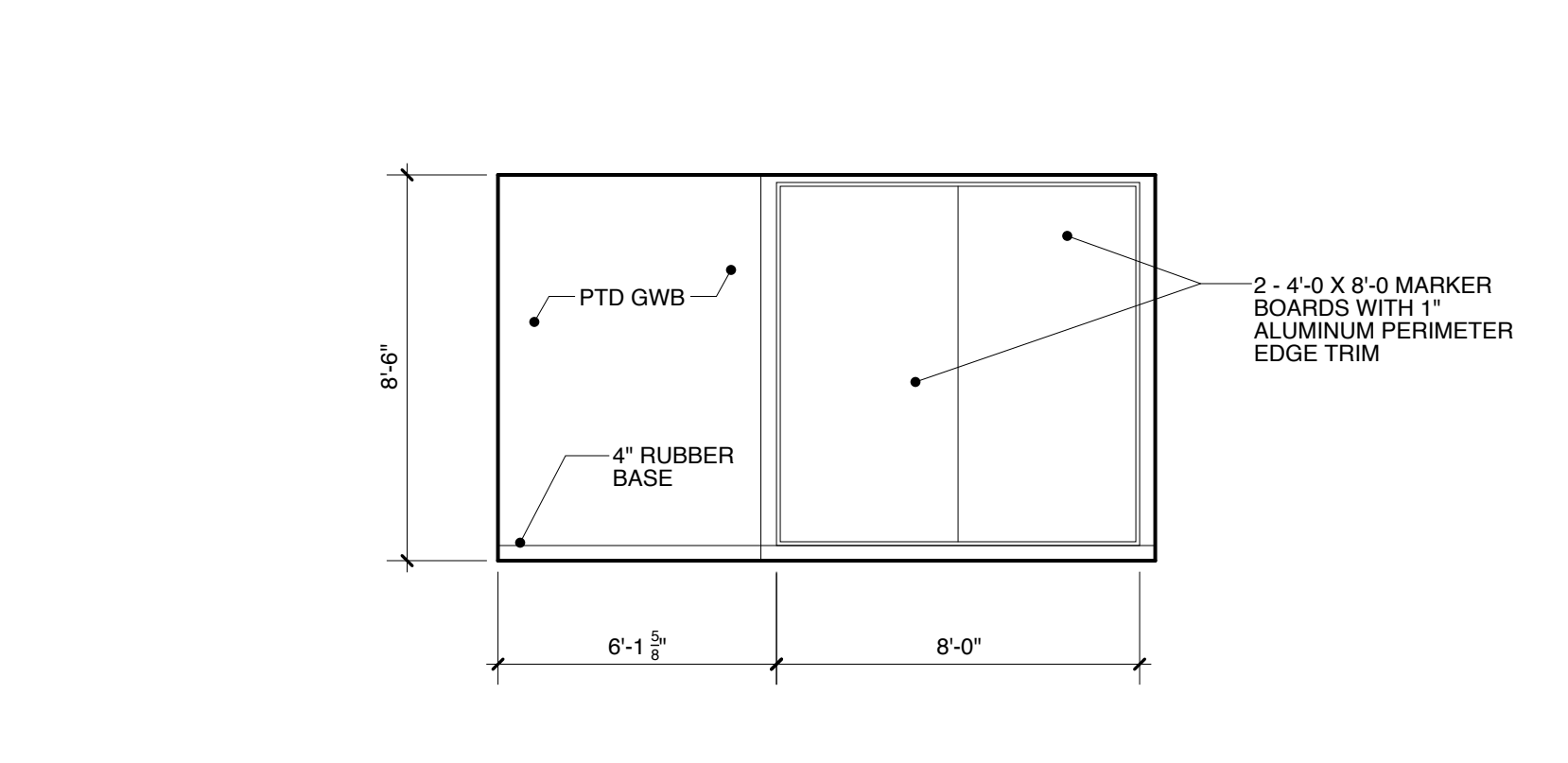
6 HALL 009 EAST ELEVATION
SCALE: 1/4" = 1'-0"



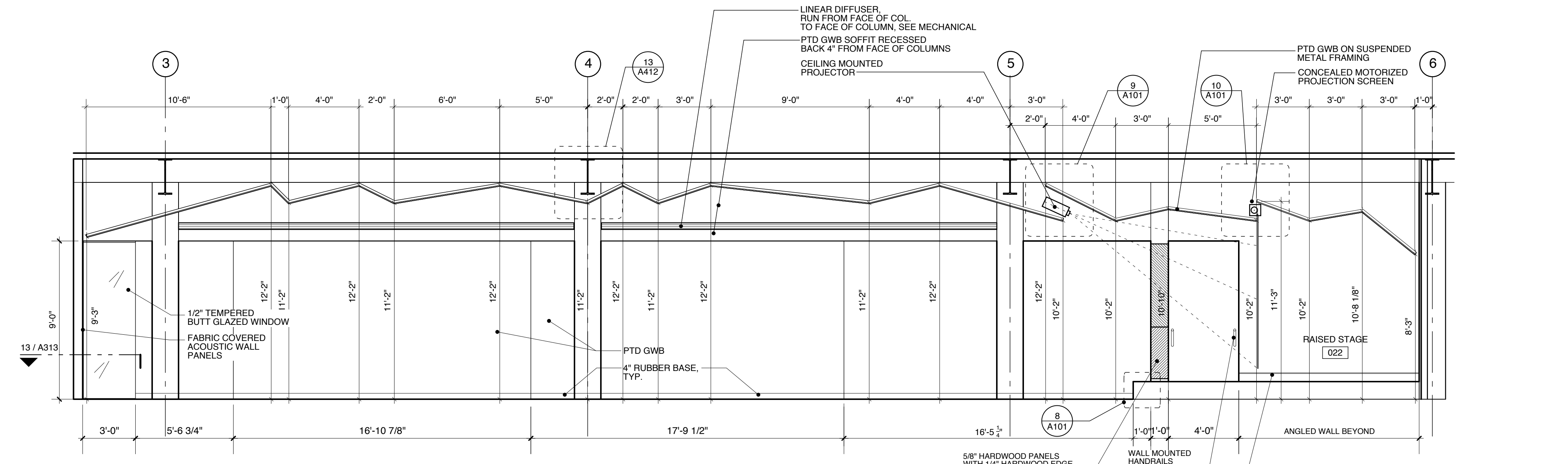
7 HALL 014 NORTH ELEVATION
SCALE: 1/4" = 1'-0"



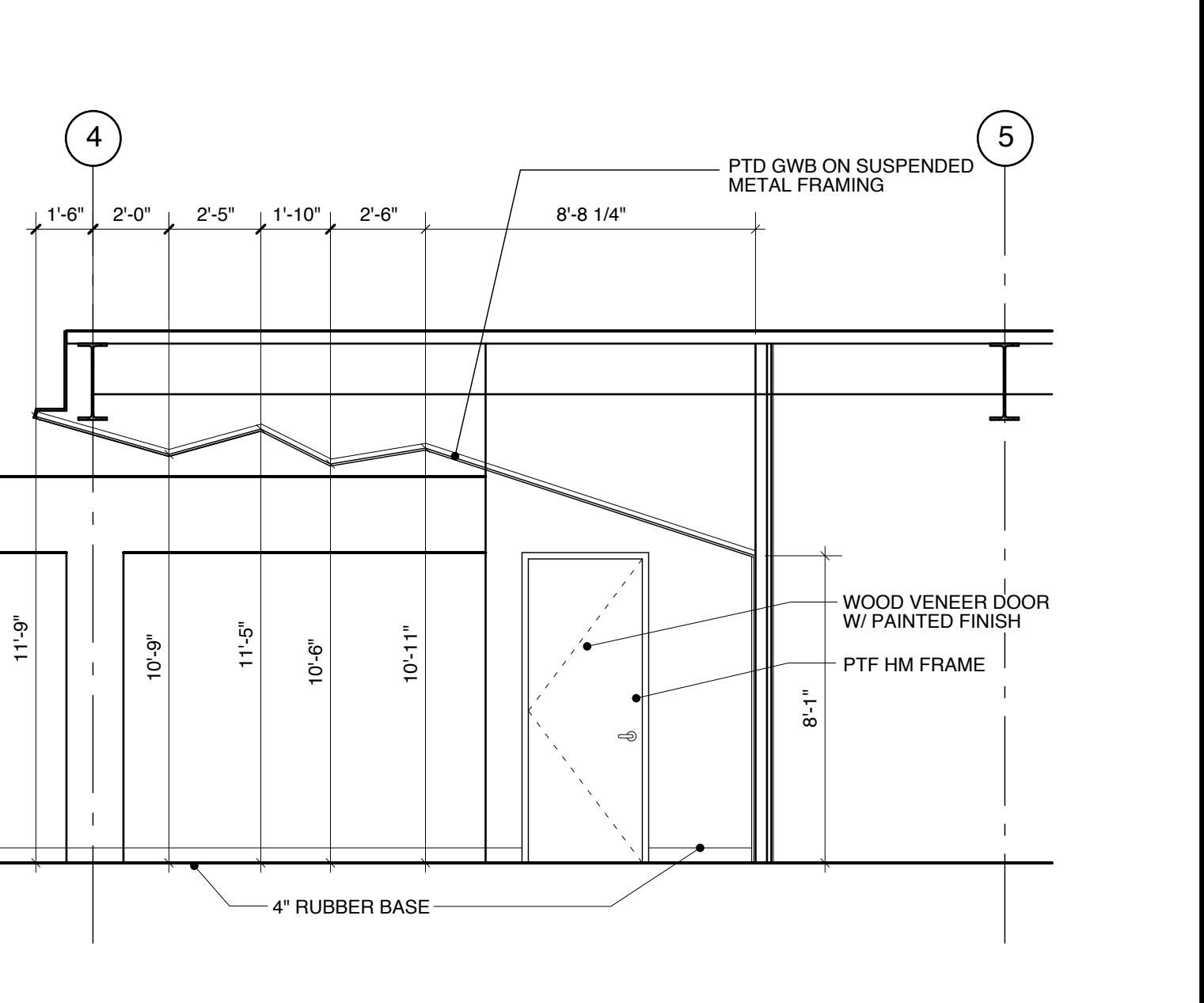
8 HALL 014 SOUTH ELEVATION
SCALE: 1/4" = 1'-0"



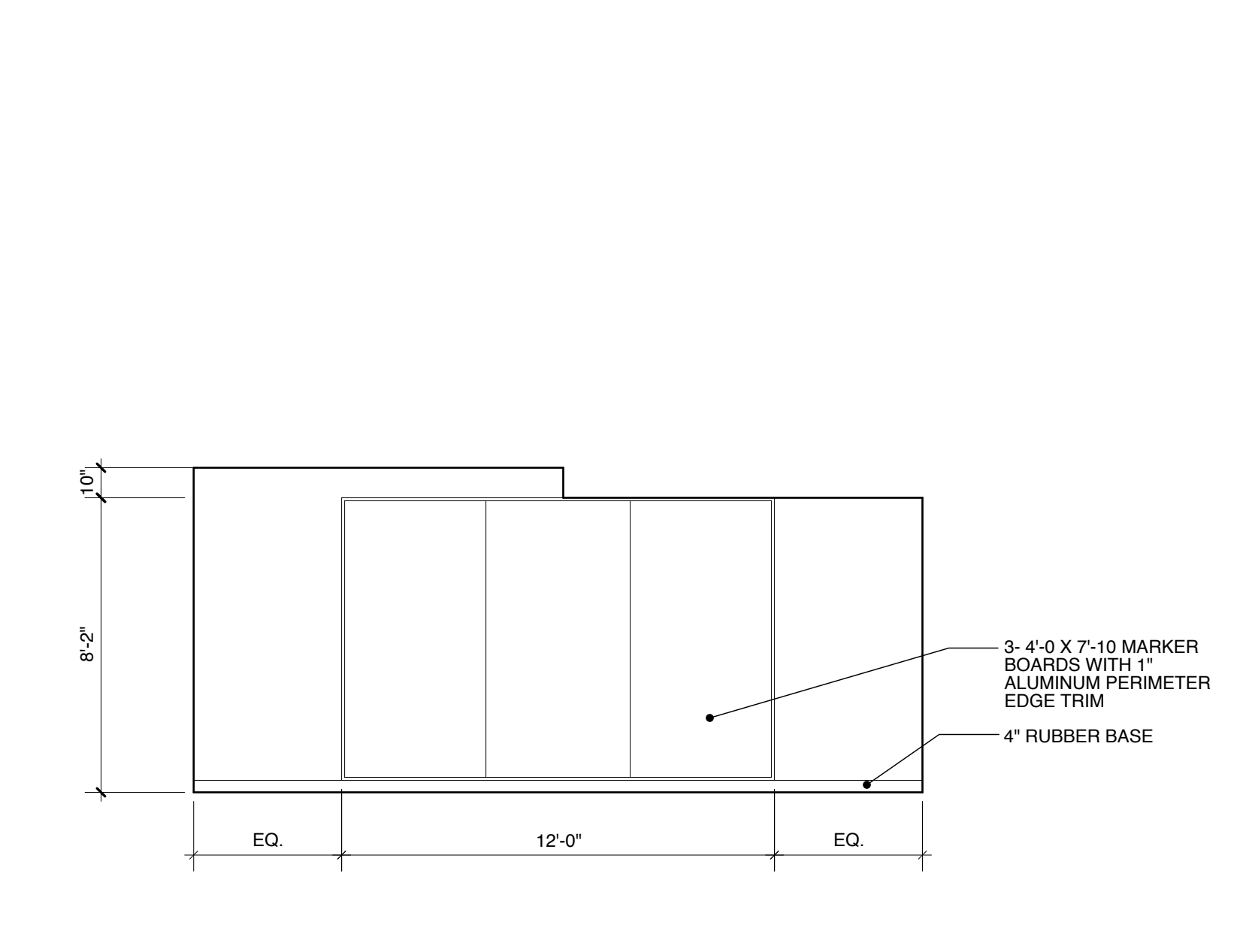
12 MEETING ROOM 007 ELEVATION (MEETING ROOM 006 SIM.)
SCALE: 1/4" = 1'-0"



9 CEILING PROFILE RINES AUDITORIUM [019]
SCALE: 1/4" = 1'-0"



10 CEILING PROFILE PERFORMANCE SPACE
SCALE: 1/4" = 1'-0"



11 MEETING ROOM 011 ELEVATION (MEETING ROOM 012 SIM.)
SCALE: 1/4" = 1'-0"

<p>Scott Simons Architects 75 York Street Portland, Maine 04101 tel: 207 772 4555 fax: 207 626 4556 web: www.simonsarchitects.com</p>	<p>PROJECT</p> <p>Portland Public Library Addition / Renovation</p> <p>5 MONUMENT SQUARE PORTLAND, ME</p>
	<p>TITLE</p> <p>INTERIOR ELEVATIONS</p>
<p>STATUS:</p> <p>ISSUED FOR BIDDING CONSTRUCTION DOCUMENTS</p>	<p>DATE: 02.13.2009</p> <p>SCALE: 1/4" = 1'-0"</p> <p>PROJECT NO: 2008-0030</p> <p>DRAWN BY: [Signature]</p> <p>DWG NO: A604</p>