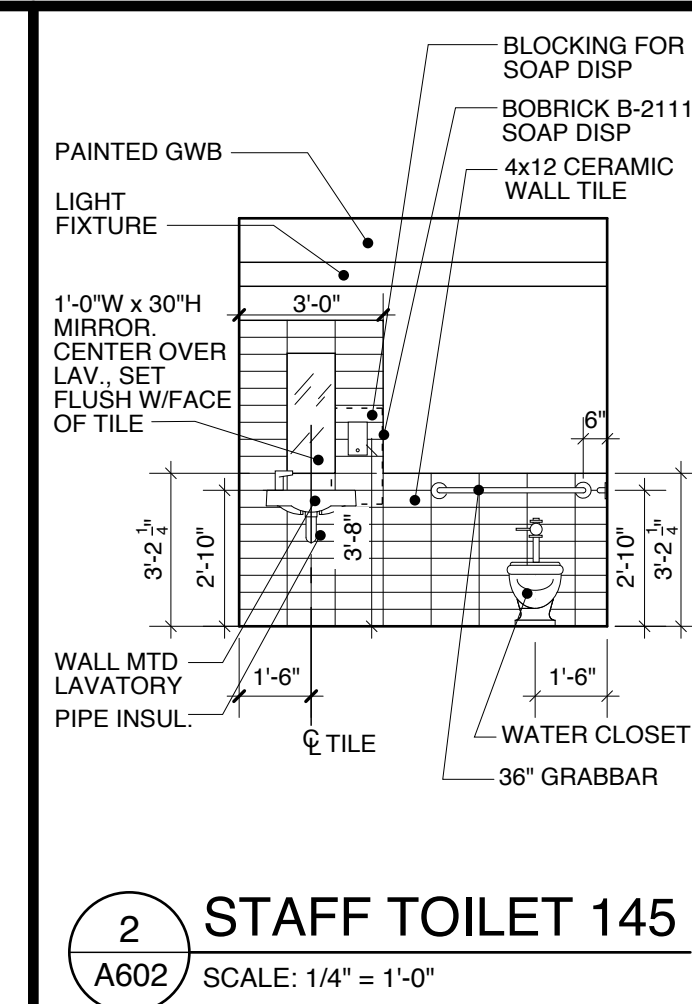
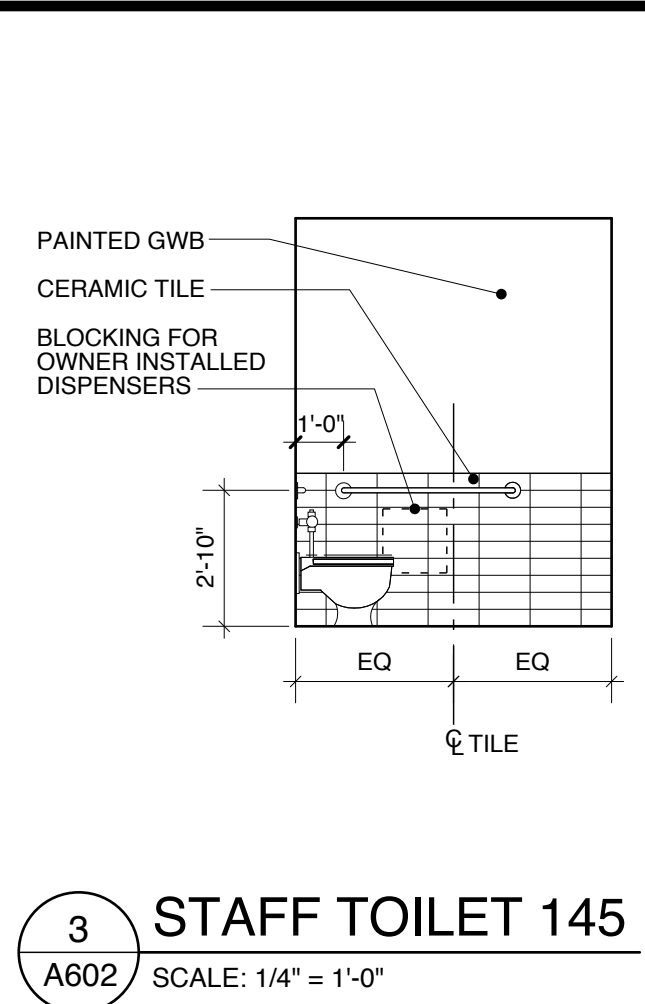


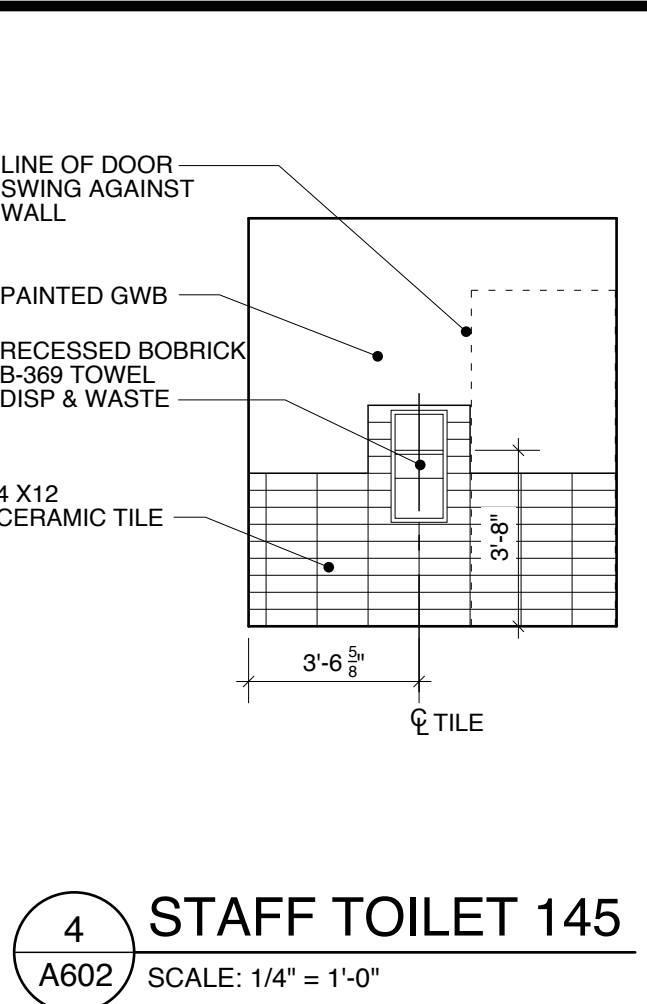
1 CHILDREN'S SERVICES ENLARGED PLAN
A102 SCALE: 1/4" = 1'-0"



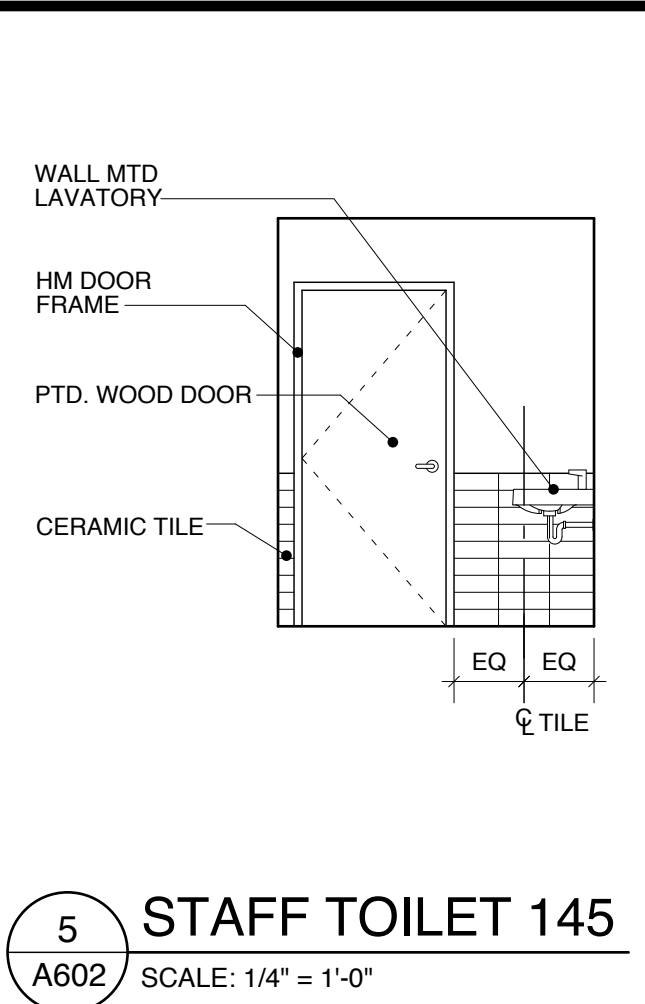
2 STAFF TOILET 145
A602 SCALE: 1/4" = 1'-0"



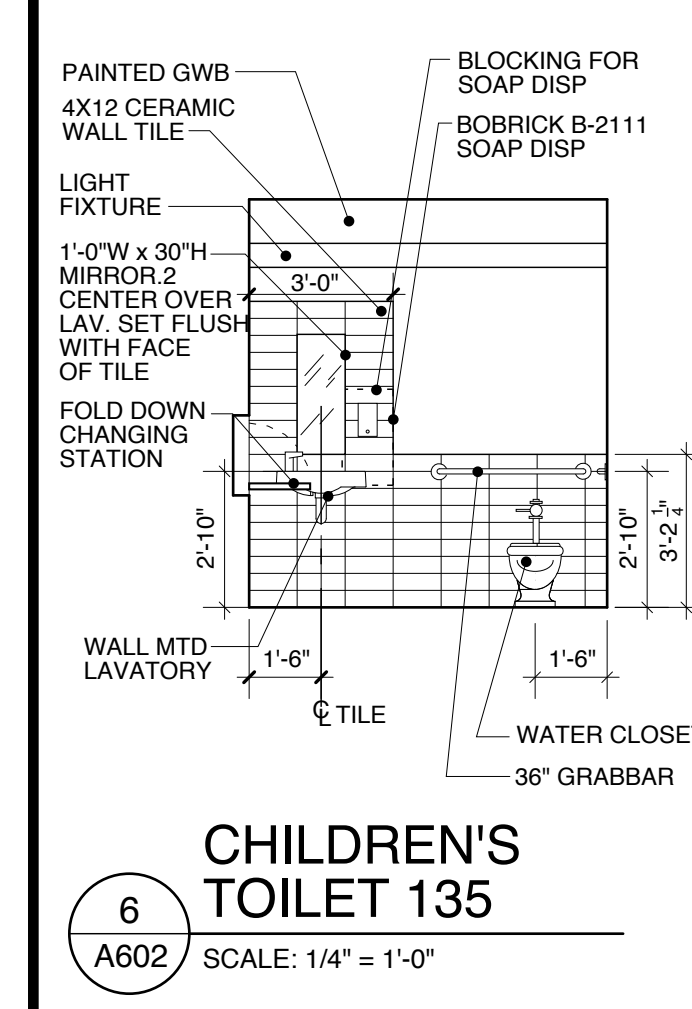
3 STAFF TOILET 145
A602 SCALE: 1/4" = 1'-0"



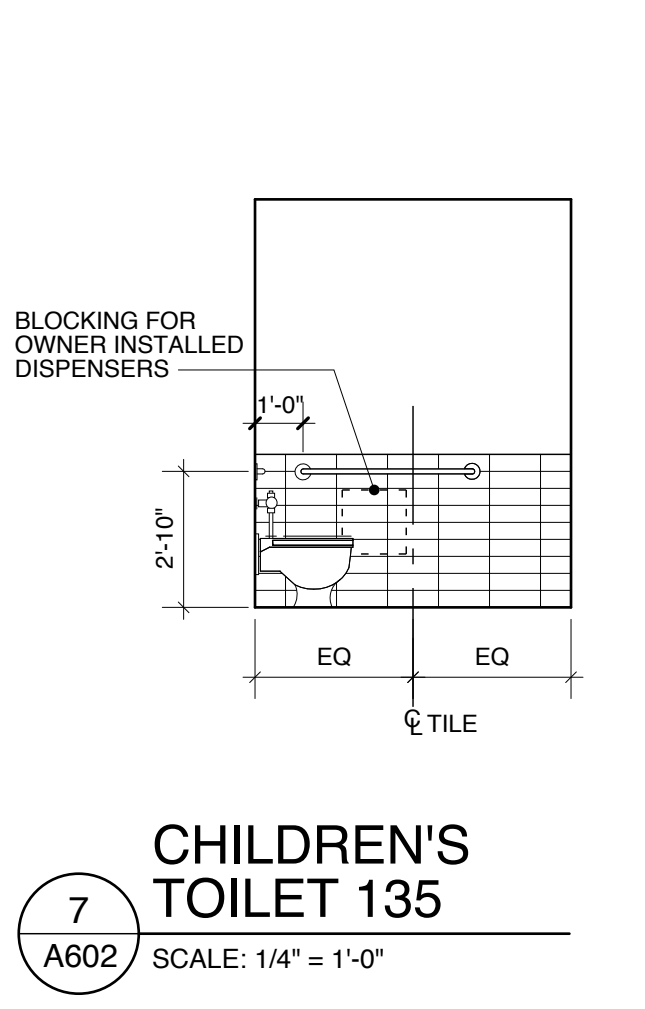
4 STAFF TOILET 145
A602 SCALE: 1/4" = 1'-0"



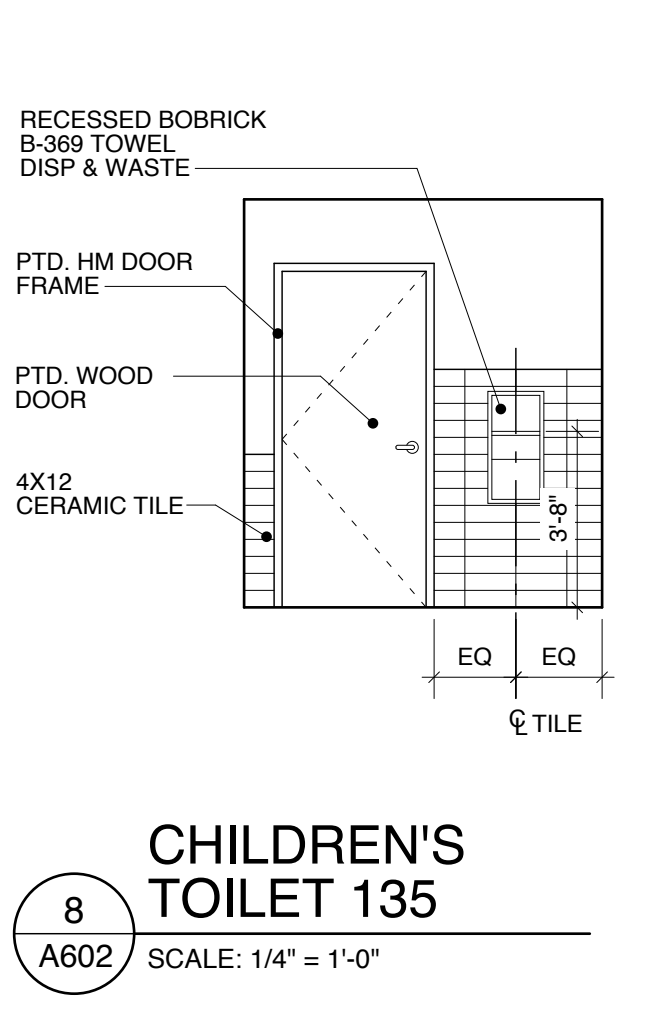
5 STAFF TOILET 145
A602 SCALE: 1/4" = 1'-0"



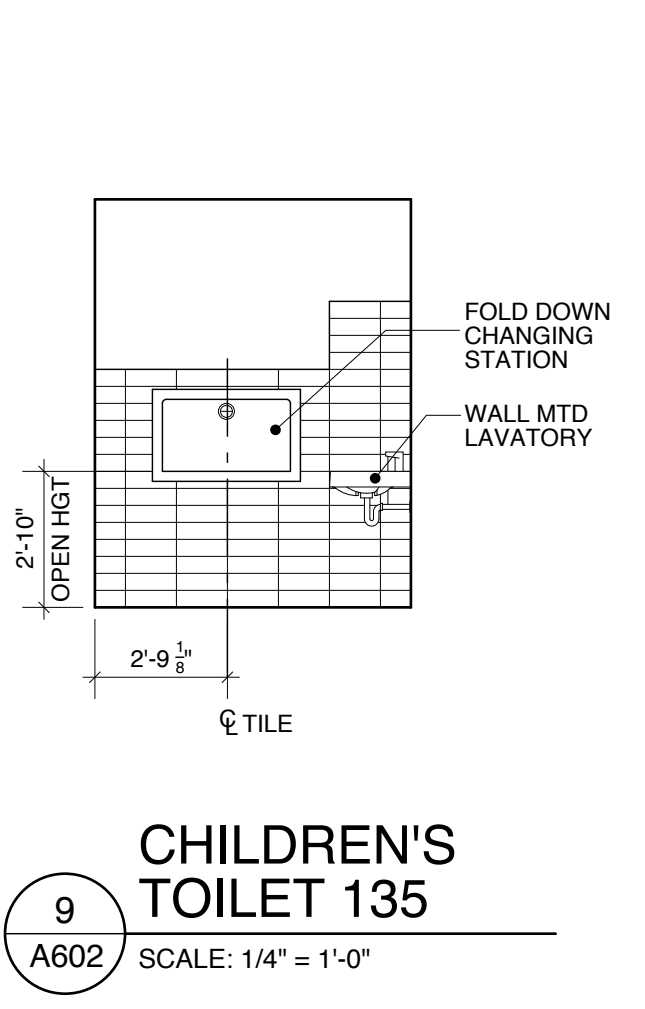
6 CHILDREN'S TOILET 135
A602 SCALE: 1/4" = 1'-0"



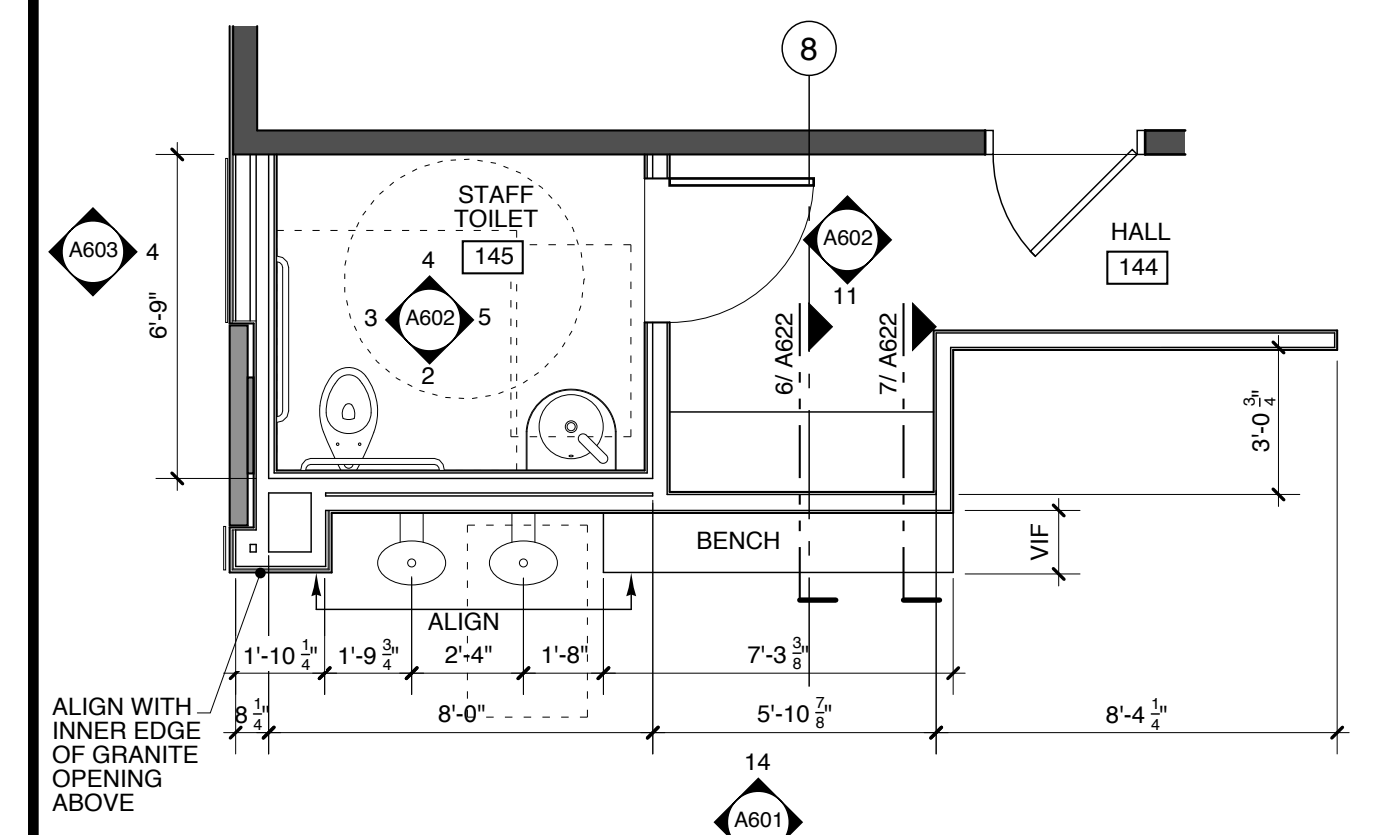
7 CHILDREN'S TOILET 135
A602 SCALE: 1/4" = 1'-0"



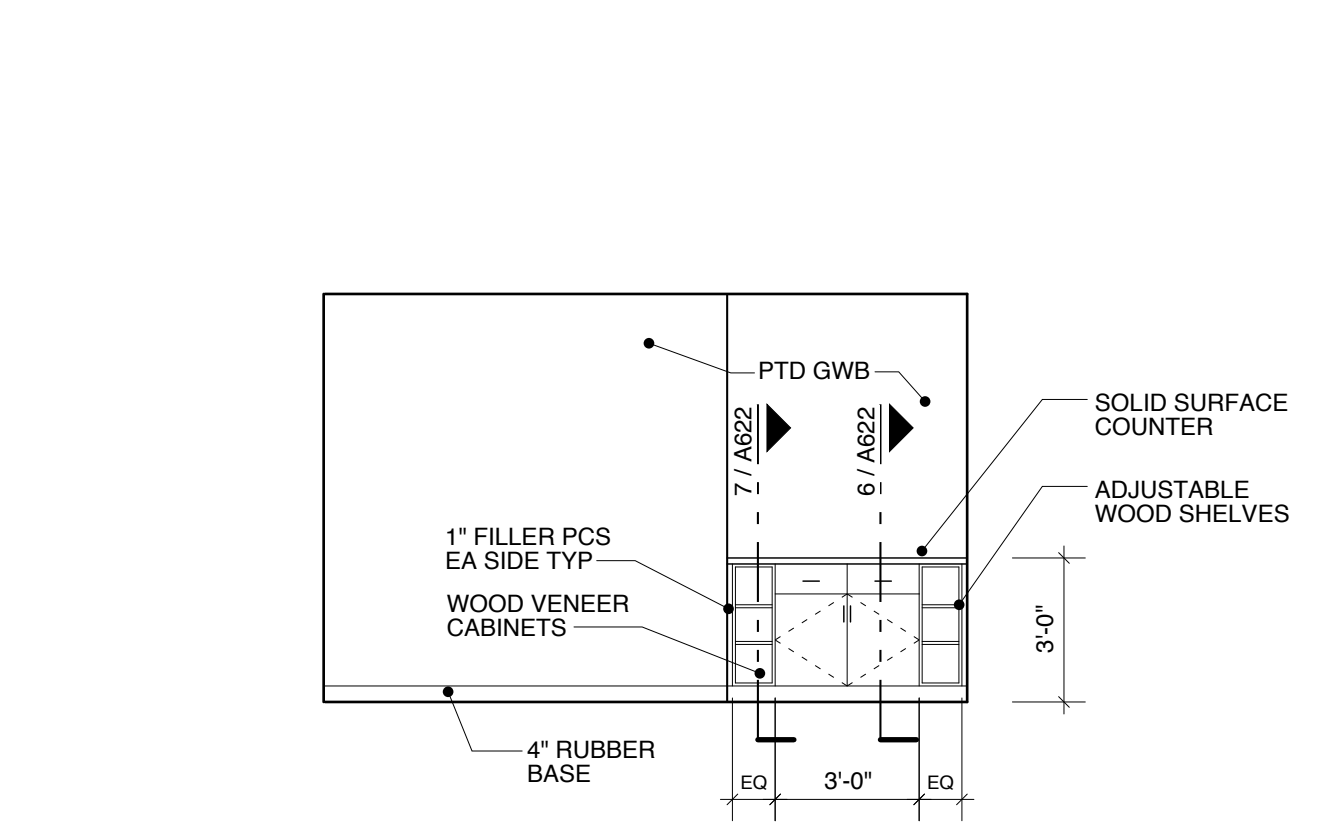
8 CHILDREN'S TOILET 135
A602 SCALE: 1/4" = 1'-0"



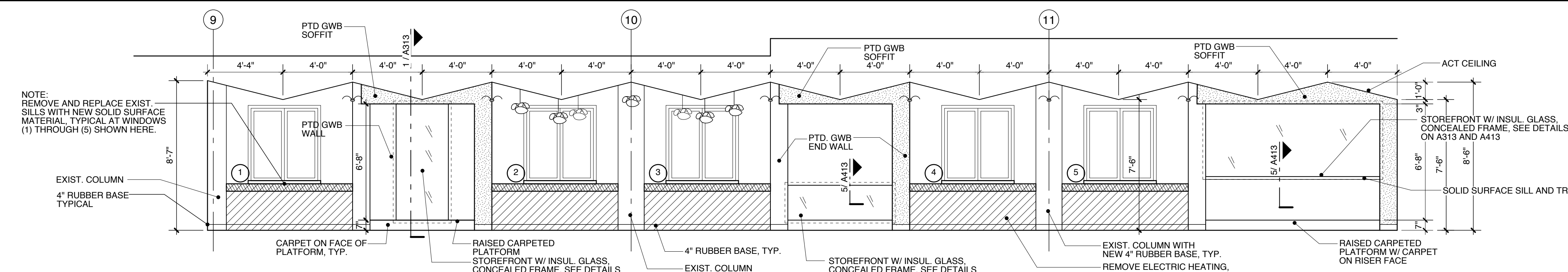
9 CHILDREN'S TOILET 135
A602 SCALE: 1/4" = 1'-0"



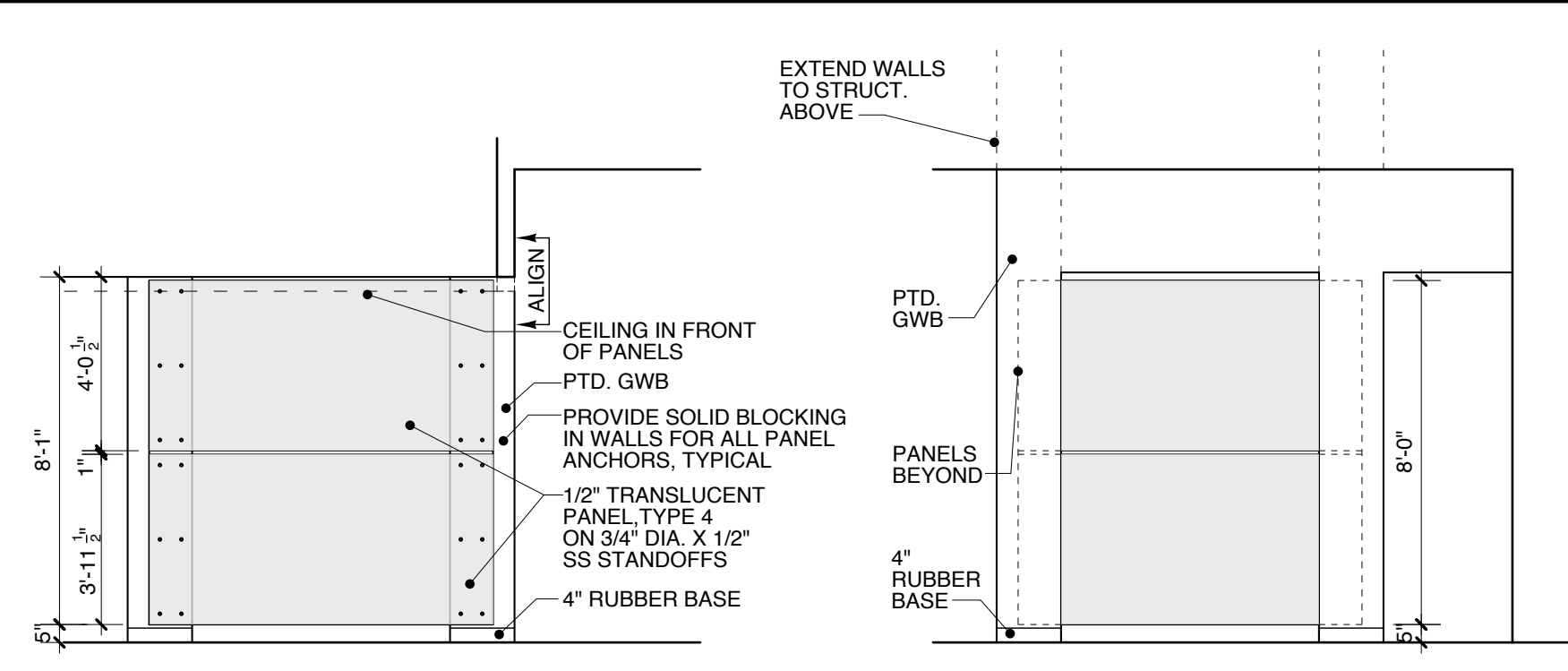
10 STAFF TOILET 145
A102 SCALE: 1/4" = 1'-0"



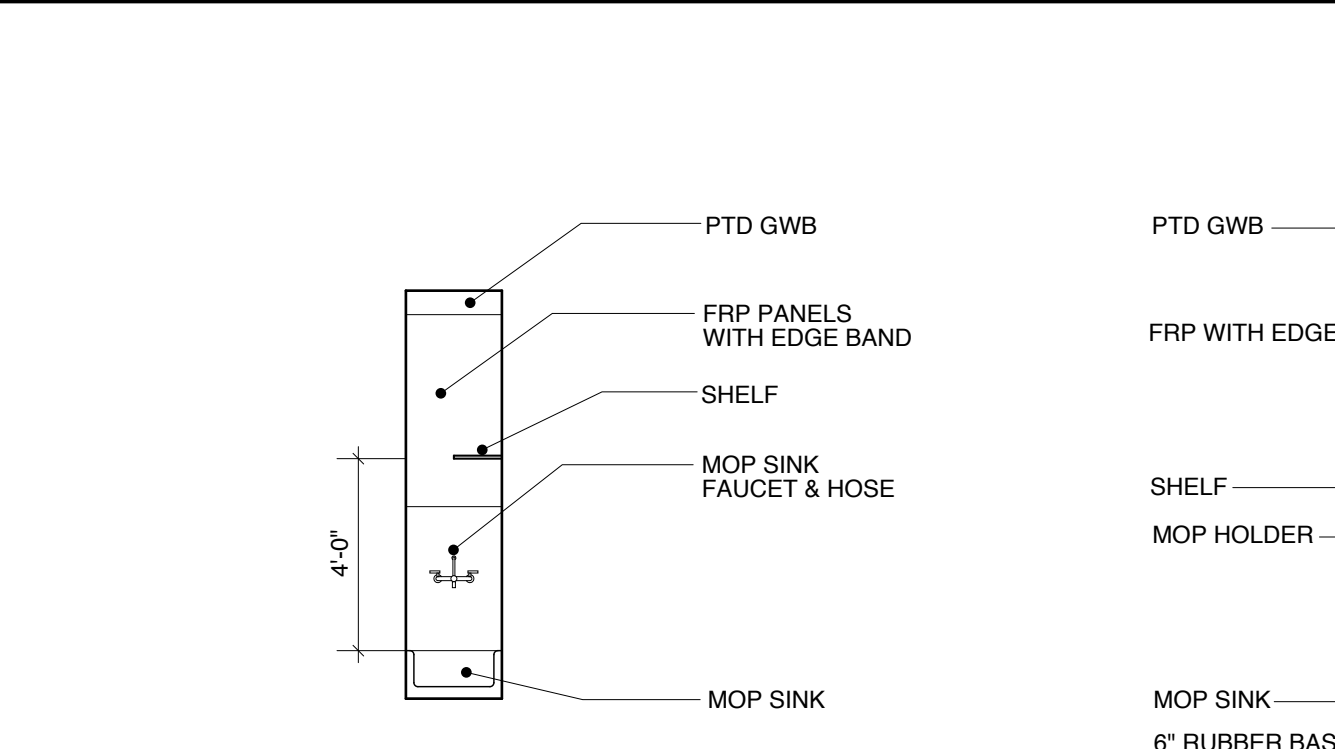
11 HALL 144
A102 SCALE: 1/4" = 1'-0"



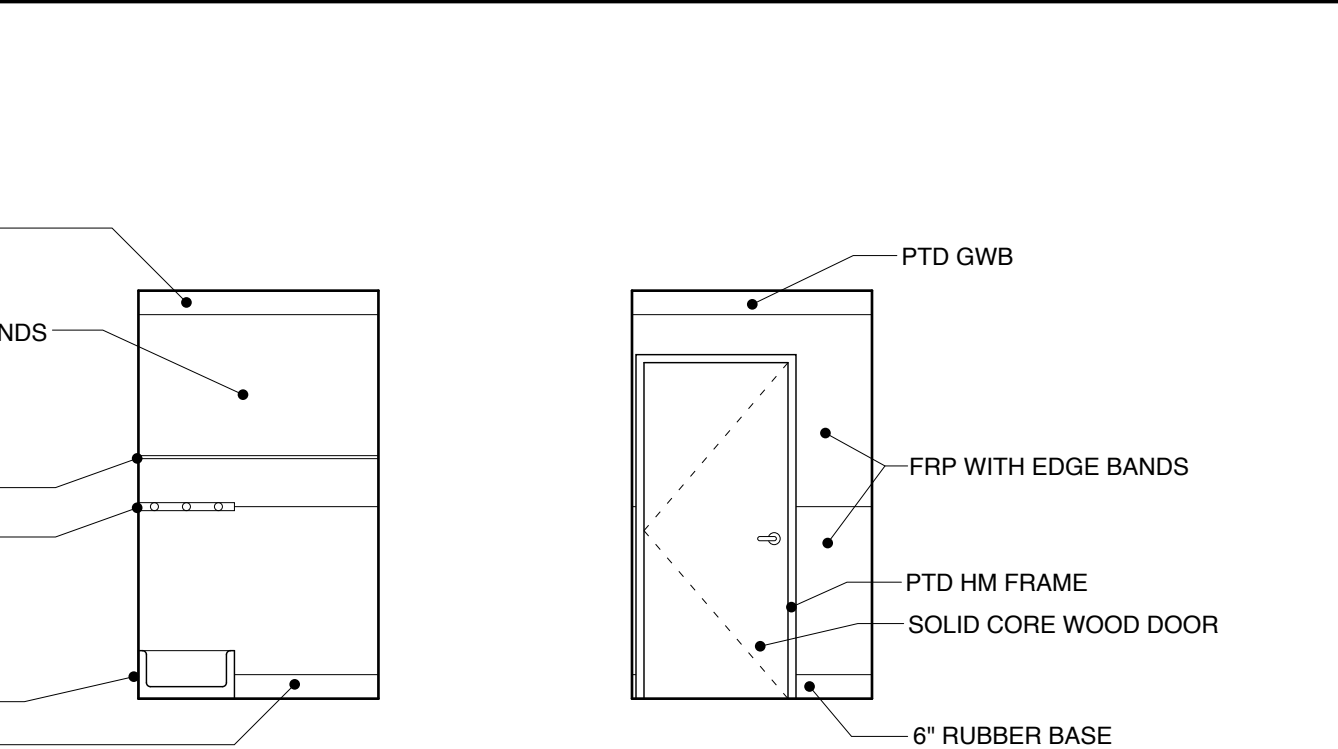
14 CHILDREN'S COLLECTION 131
A602 SCALE: 1/4" = 1'-0"



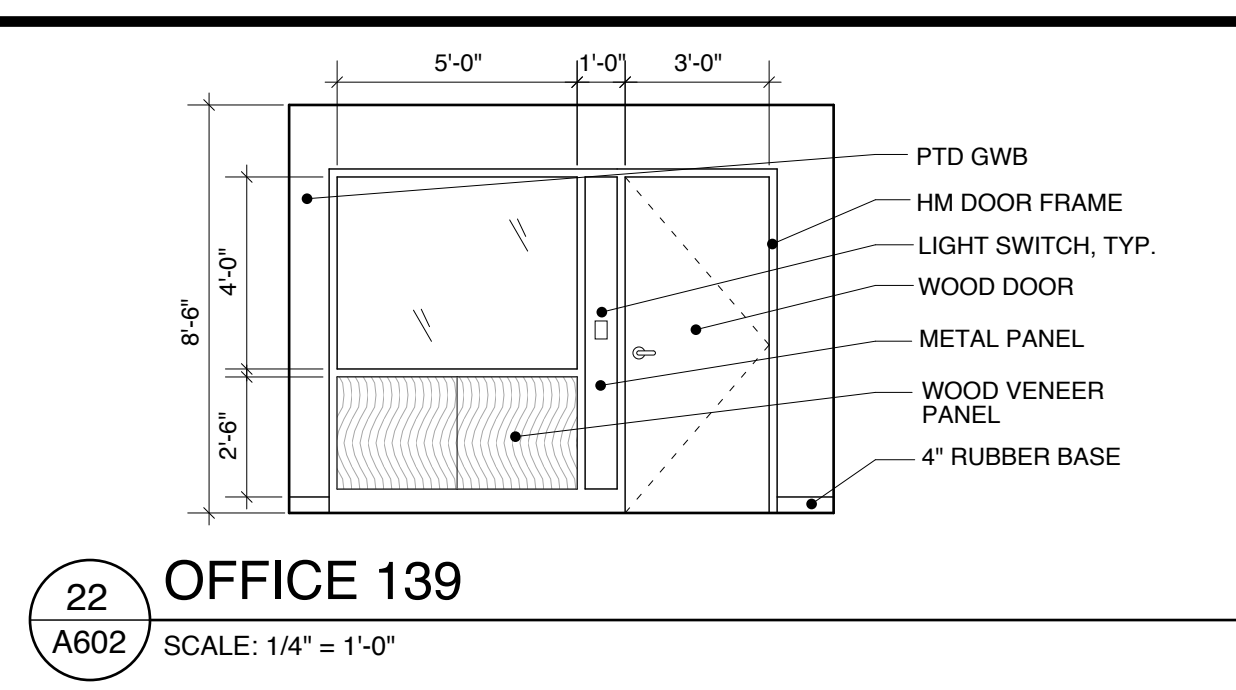
15 STORY TIME 127
A602 SCALE: 1/4" = 1'-0"



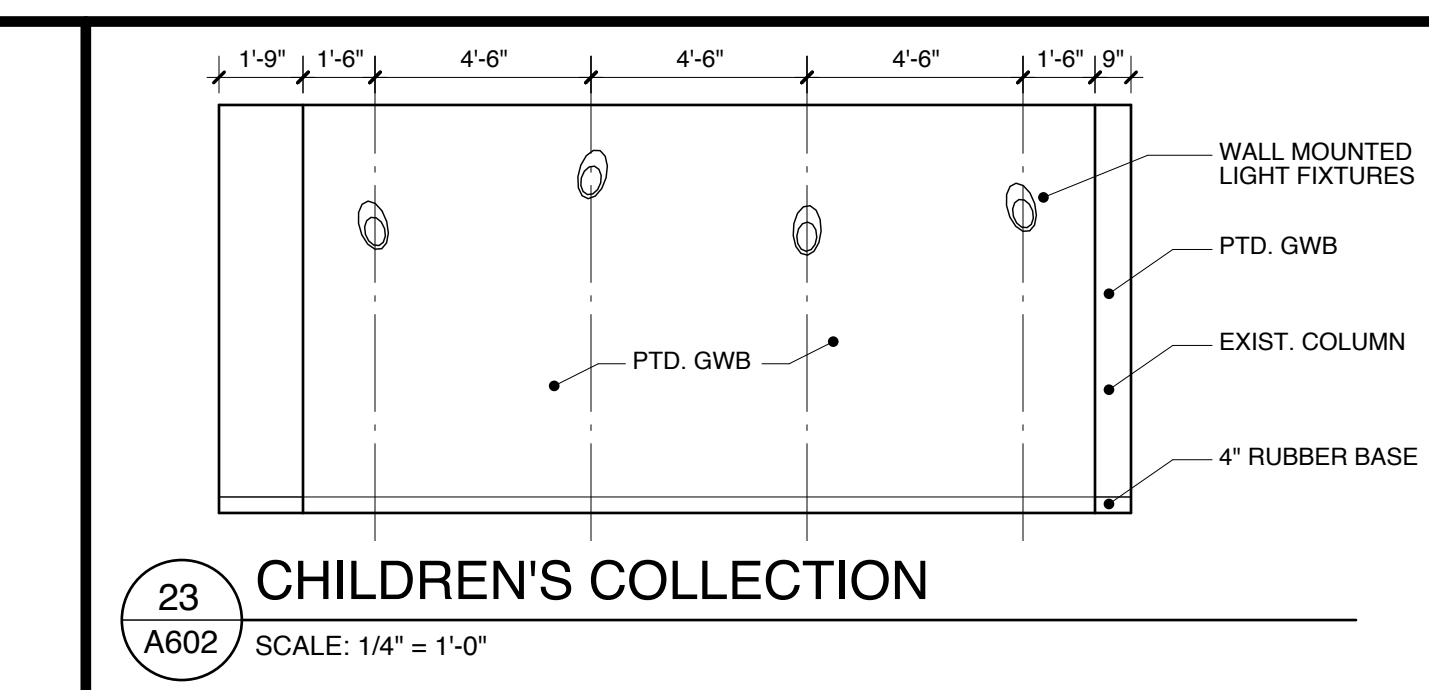
18 JANITOR CL. 137
A602 SCALE: 1/4" = 1'-0"



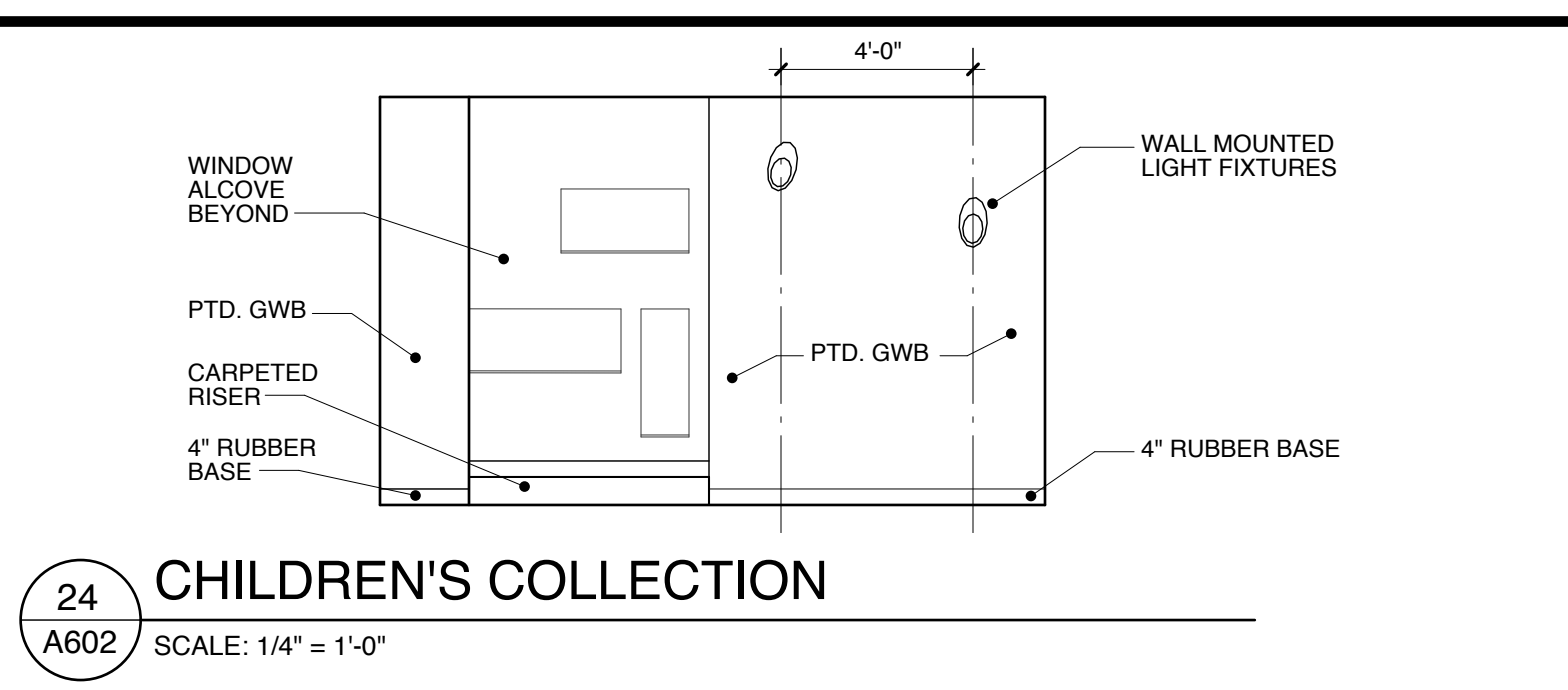
19 JANITOR CL. 137
A602 SCALE: 1/4" = 1'-0"



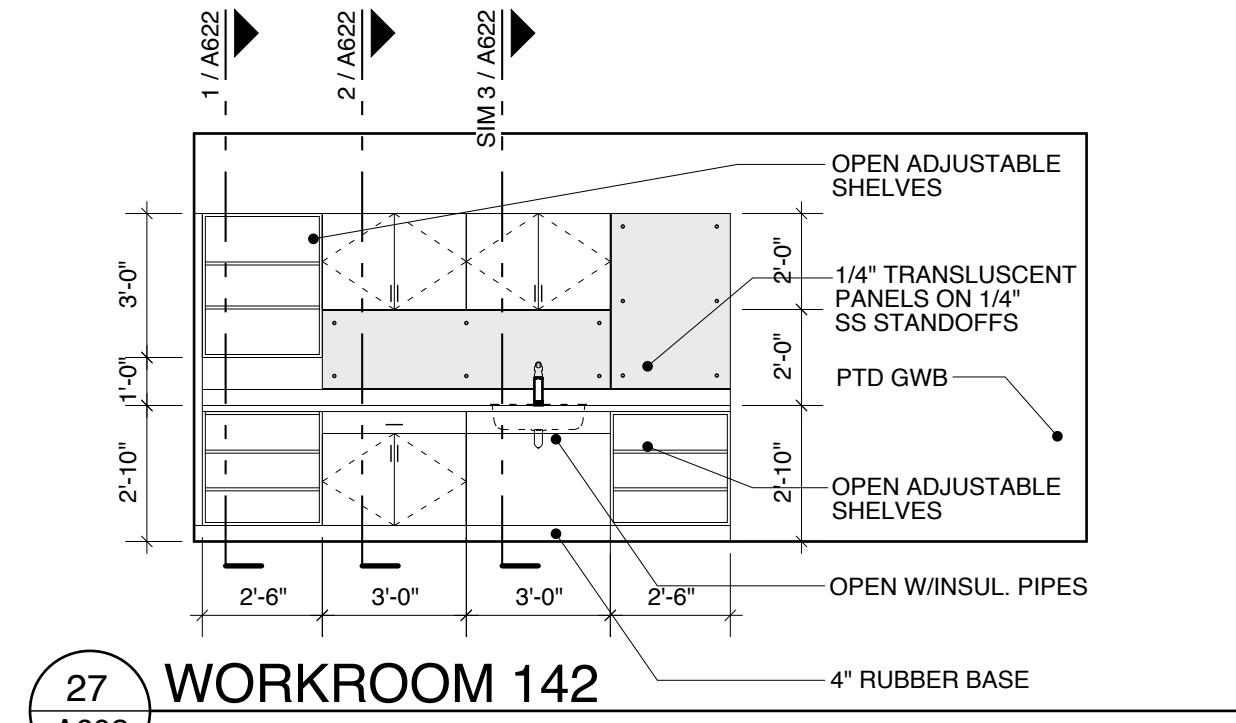
22 OFFICE 139
A602 SCALE: 1/4" = 1'-0"



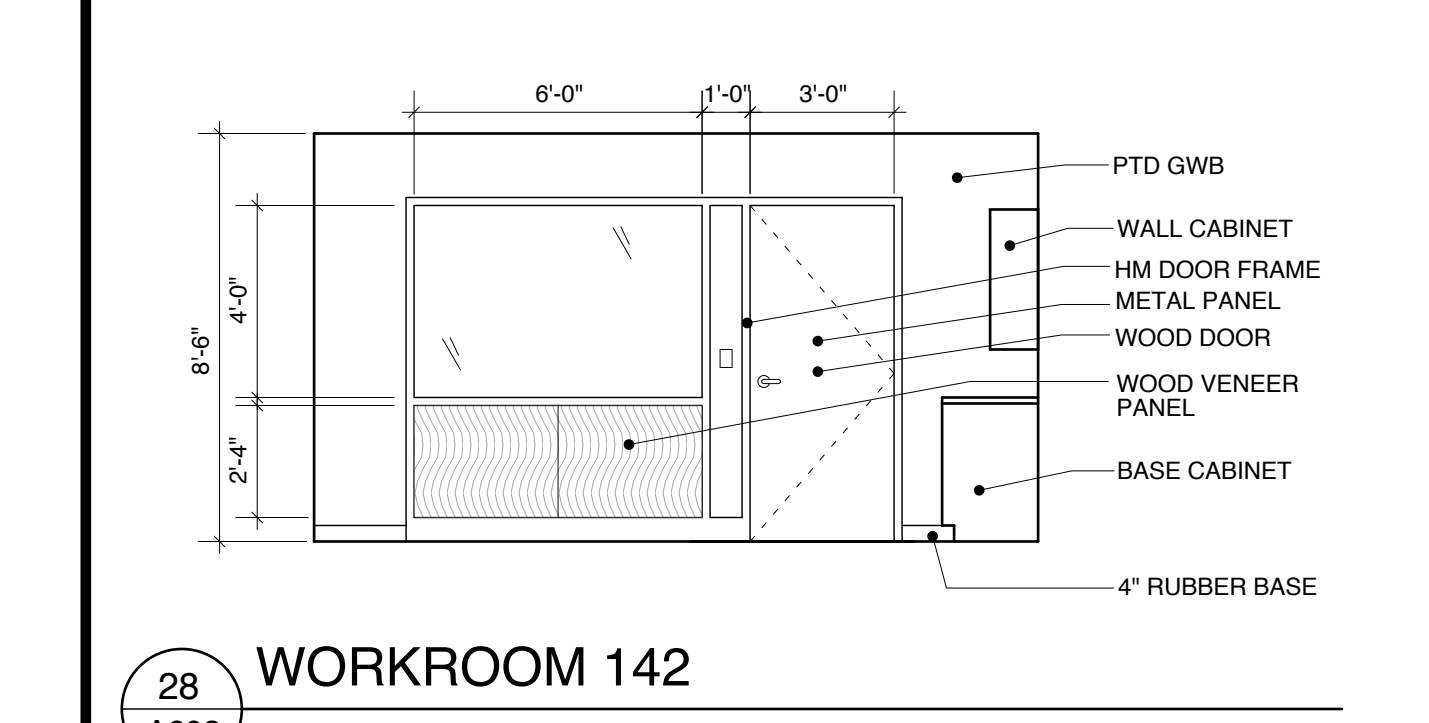
23 CHILDREN'S COLLECTION
A602 SCALE: 1/4" = 1'-0"



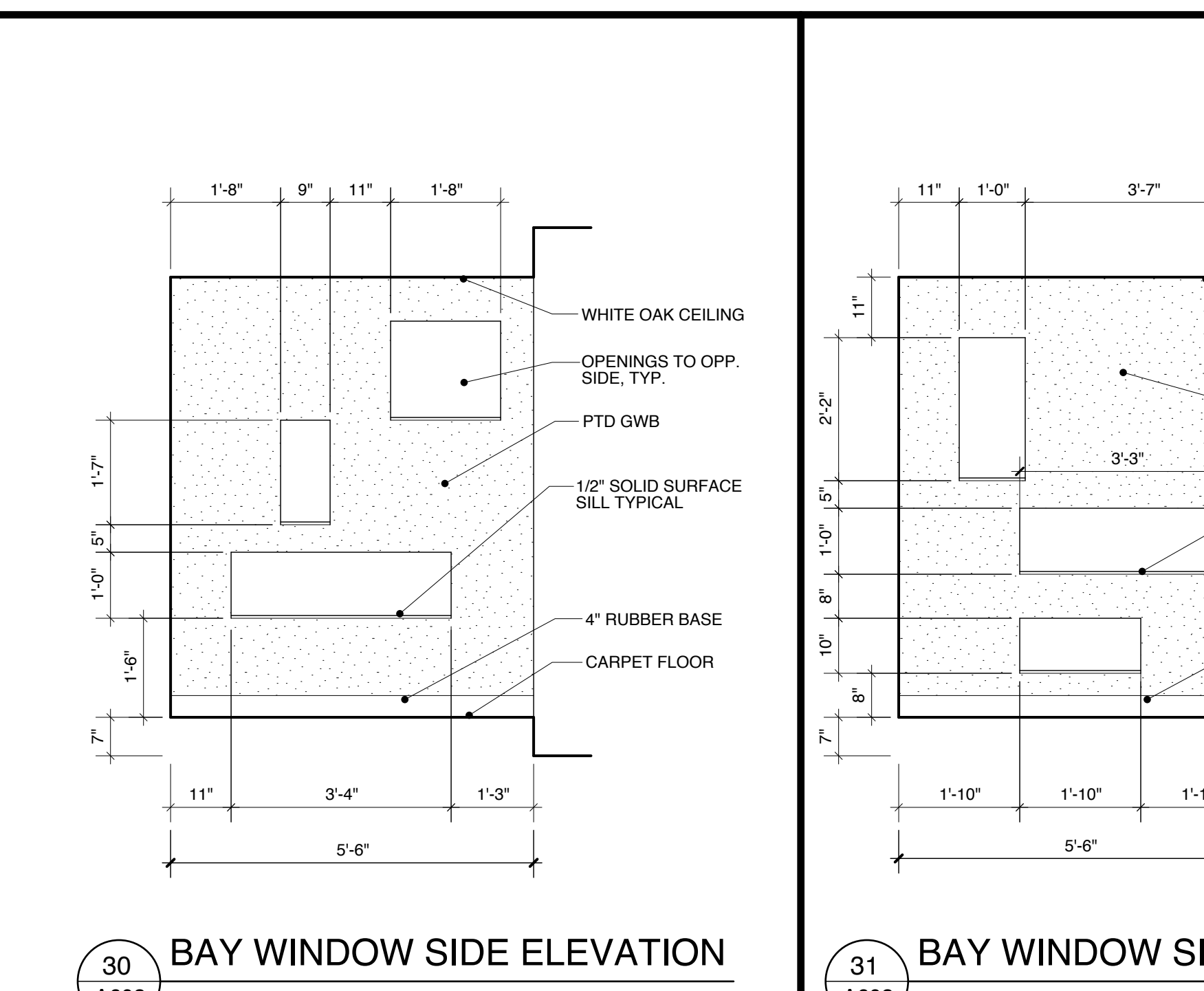
24 CHILDREN'S COLLECTION
A602 SCALE: 1/4" = 1'-0"



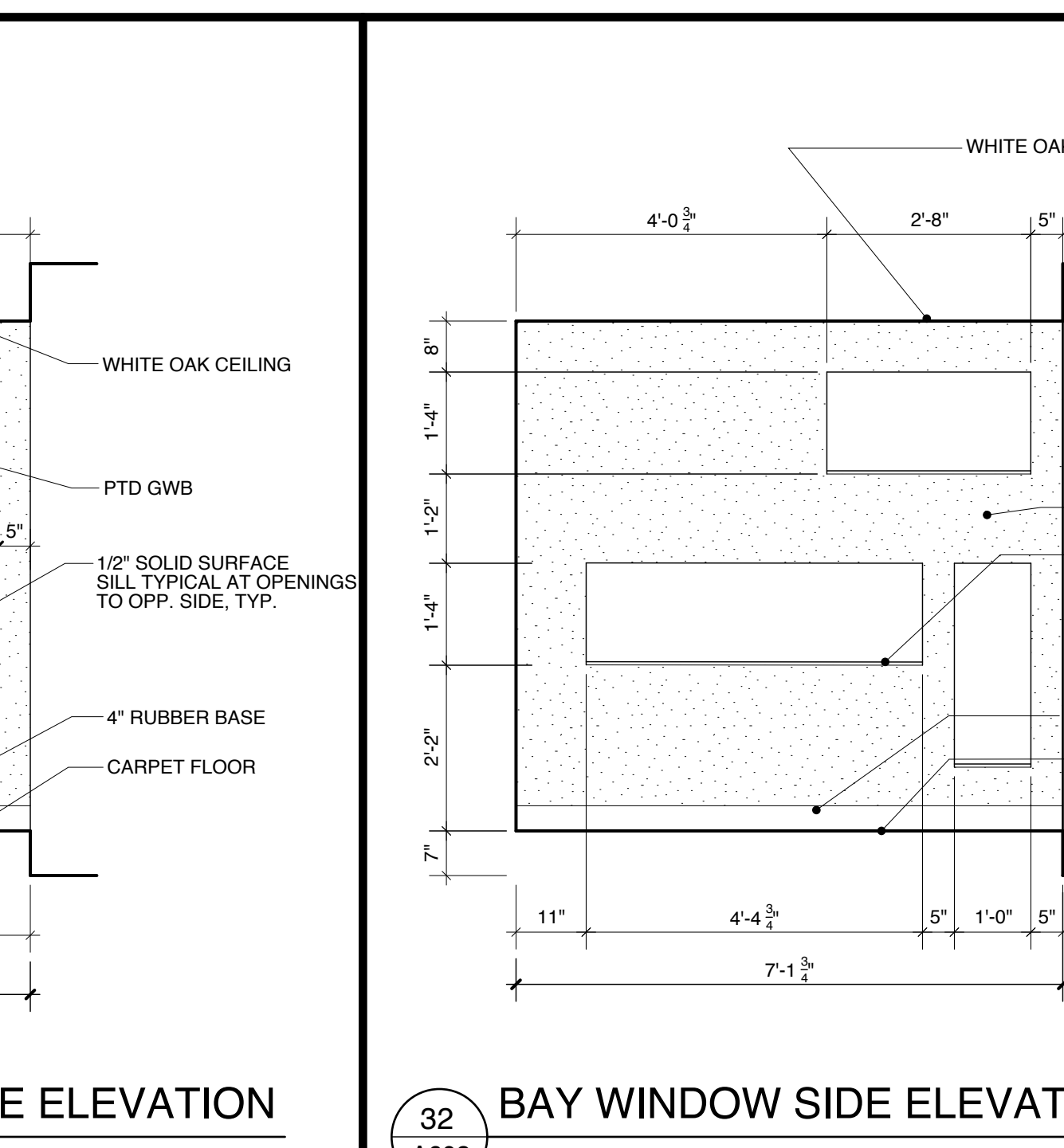
27 WORKROOM 142
A602 SCALE: 1/4" = 1'-0"



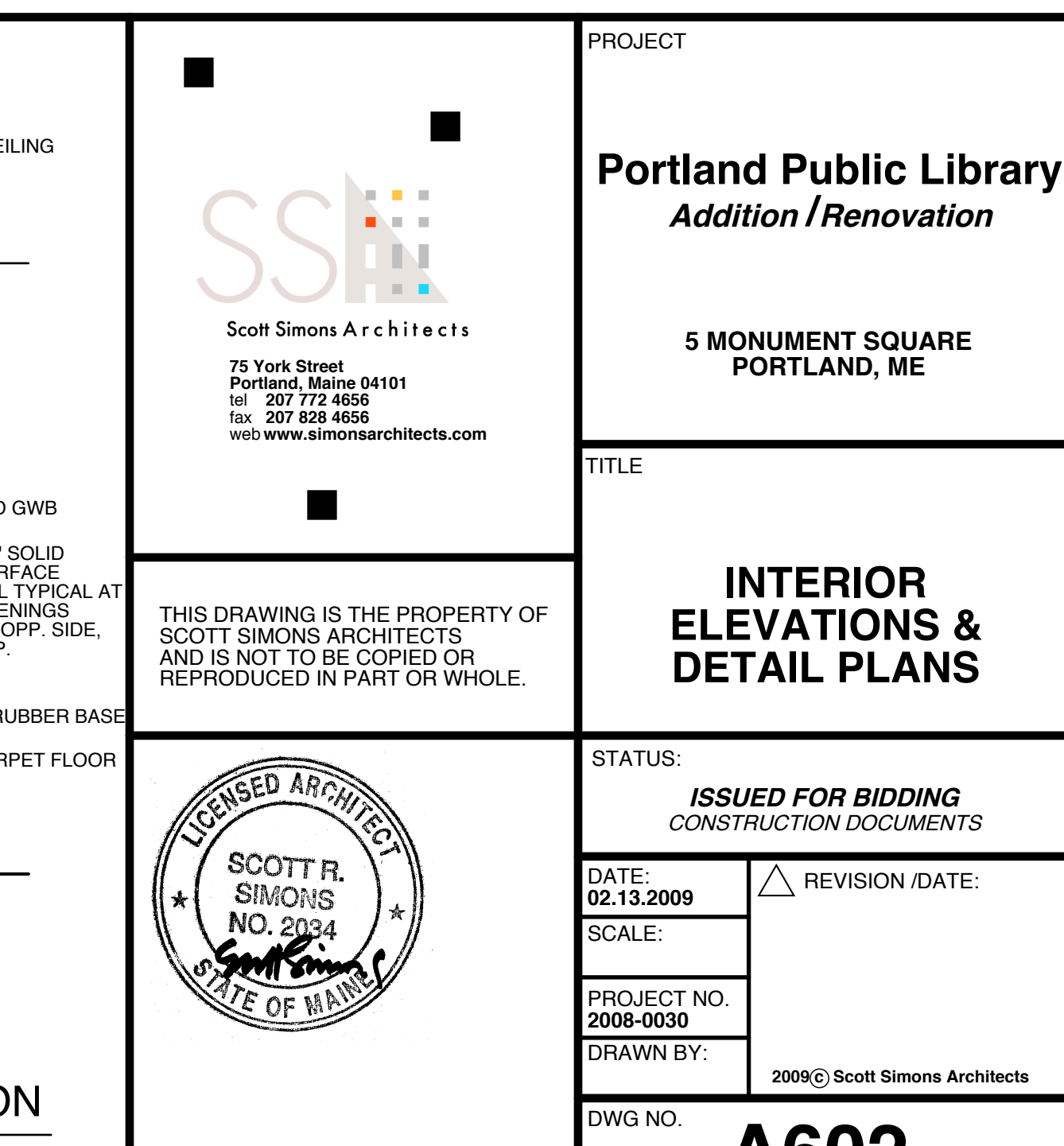
28 WORKROOM 142
A602 SCALE: 1/4" = 1'-0"



30 BAY WINDOW SIDE ELEVATION
A602 SCALE: 1/2" = 1'-0"



31 BAY WINDOW SIDE ELEVATION
A602 SCALE: 1/2" = 1'-0"



32 BAY WINDOW SIDE ELEVATION
A602 SCALE: 1/2" = 1'-0"

PROJECT
Portland Public Library
Addition / Renovation
5 MONUMENT SQUARE
PORTLAND, ME

TITLE
INTERIOR ELEVATIONS & DETAIL PLANS

STATUS:
ISSUED FOR BIDDING
CONSTRUCTION DOCUMENTS

DATE: 02.13.2009
SCALE:
PROJECT NO.: 2008-0030
DRAWN BY:
DWG NO.: A602

Scott Simons Architects
75 York Street
Portland, Maine 04101
Tel: 207.772.4555
Fax: 207.628.4555
web: www.scottsimonsarchitects.com

THIS DRAWING IS THE PROPERTY OF SCOTT SIMONS ARCHITECTS AND IS NOT TO BE COPIED OR REPRODUCED IN PART OR WHOLE.

SCOTT R. SIMONS
NO. 2034
STATE OF MAINE
LICENSED ARCHITECT

2009 © Scott Simons Architects