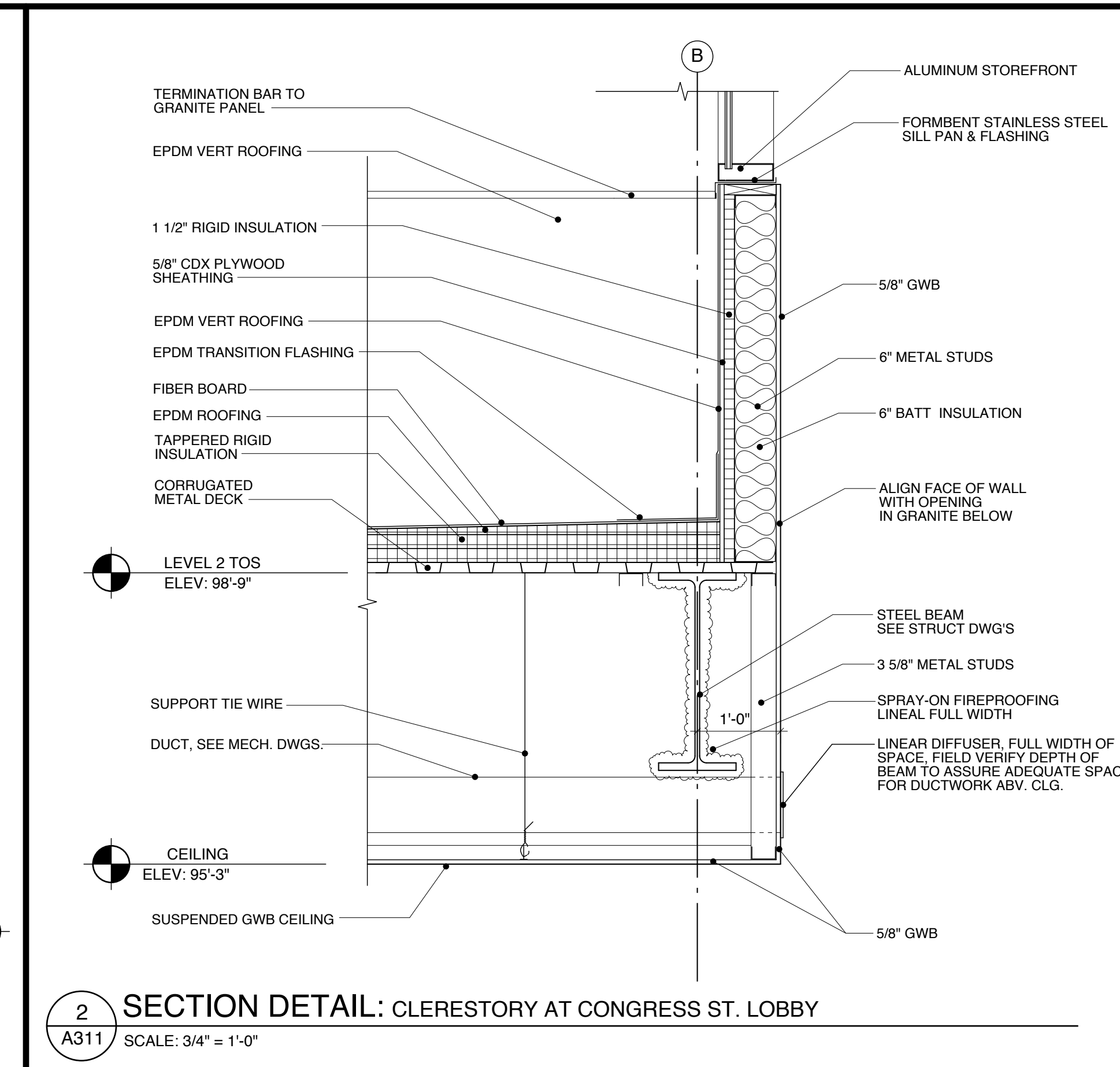
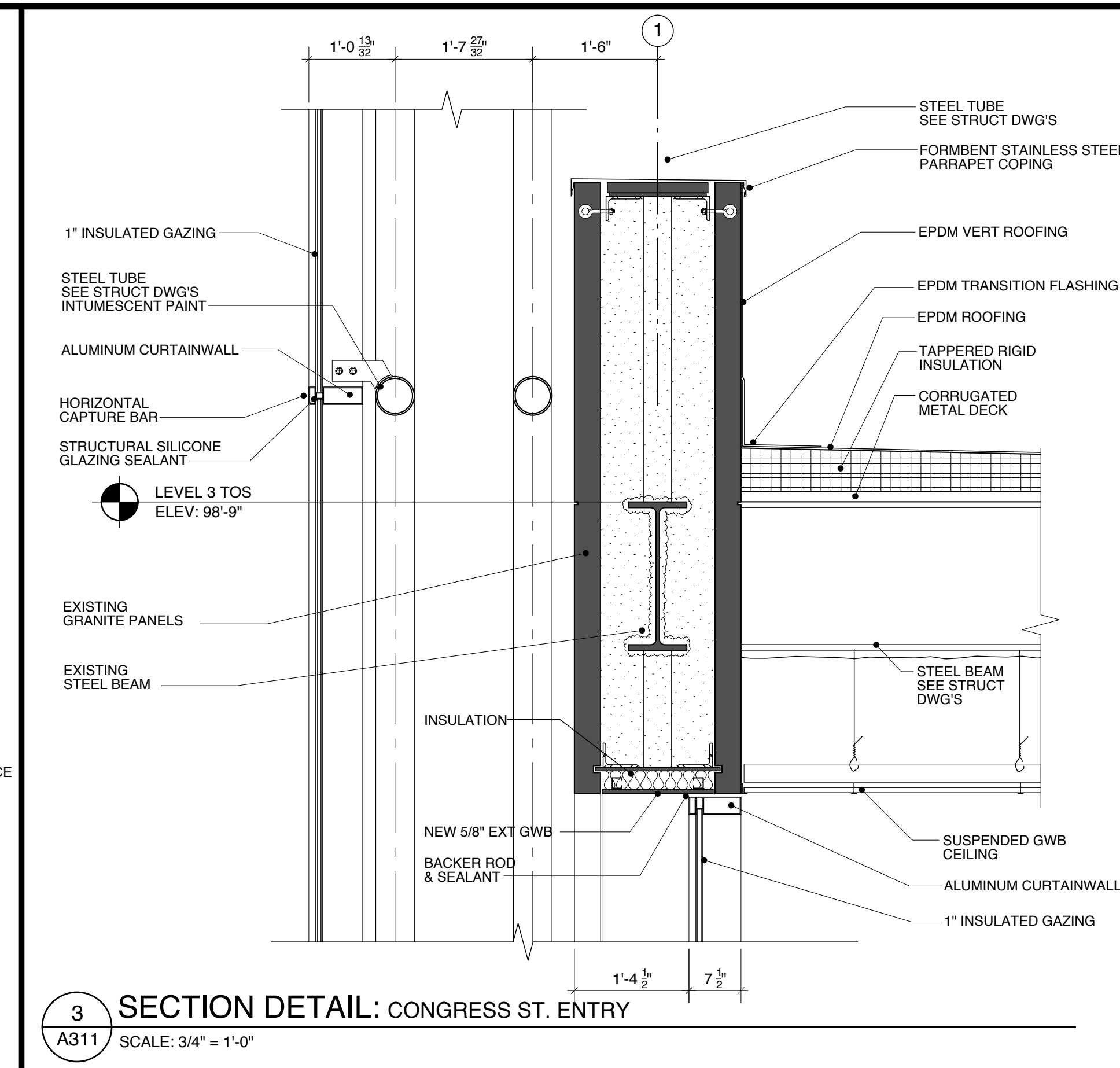


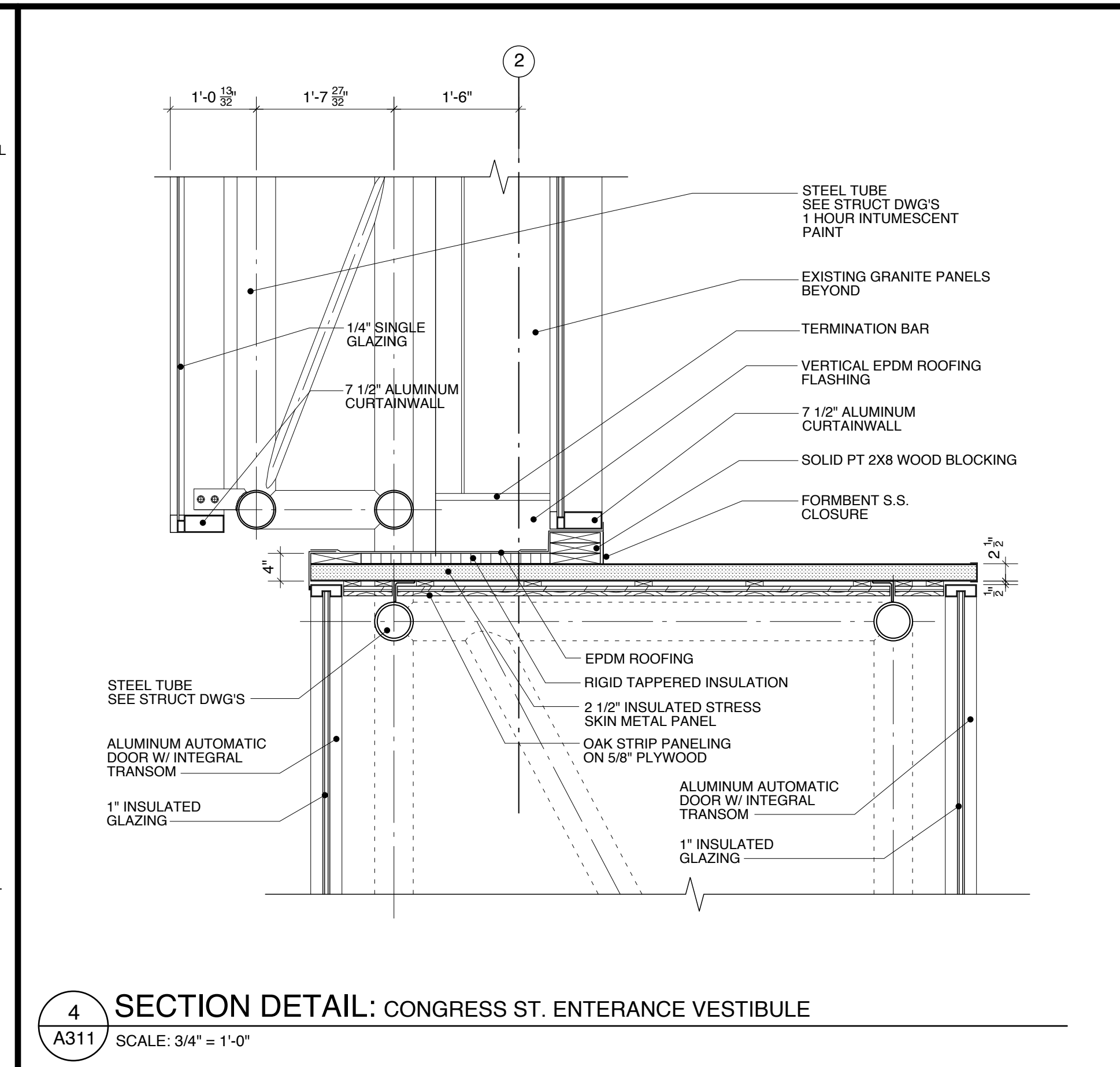
1 SECTION DETAIL: CONGRESS STREET ENTRY ROOF AT EXIST. ROOF
A311 SCALE: 3/4" = 1'-0"



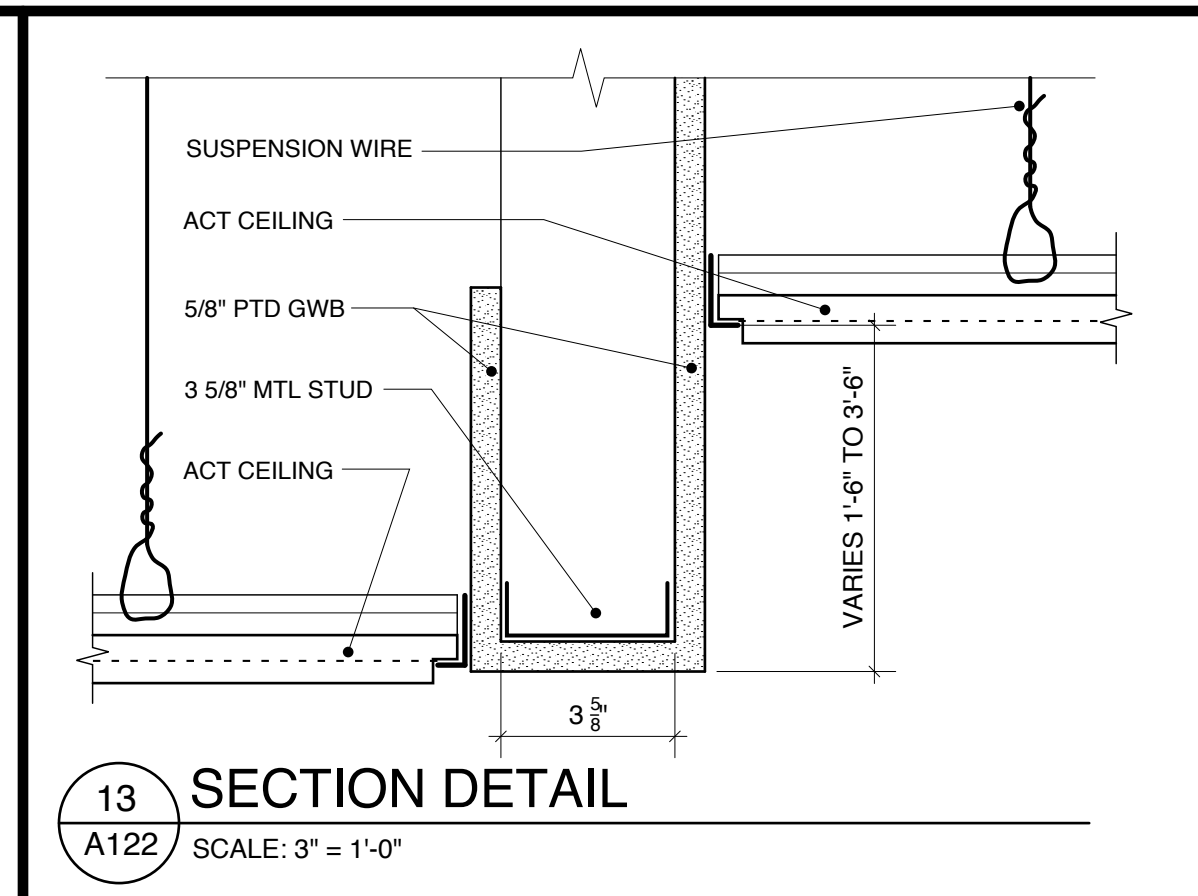
2 SECTION DETAIL: CLERESTORY AT CONGRESS ST. LOBBY
A311 SCALE: 3/4" = 1'-0"



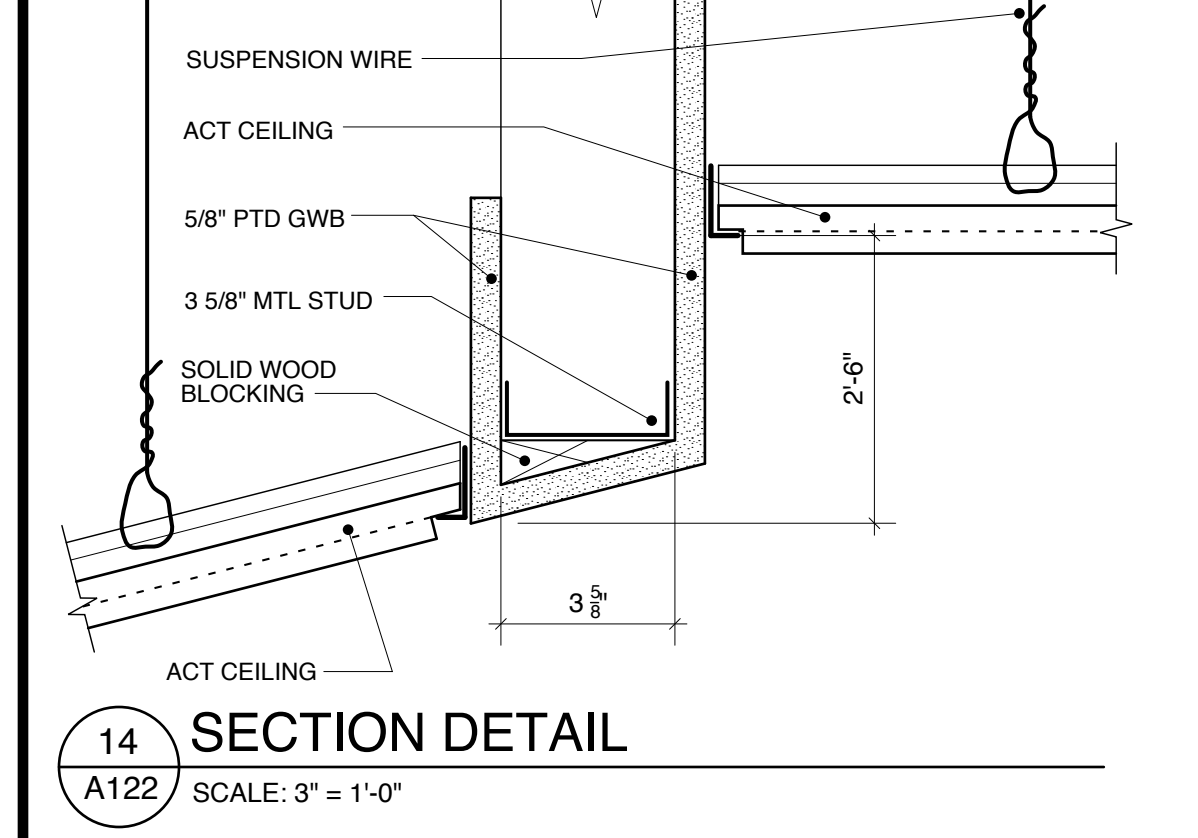
3 SECTION DETAIL: CONGRESS ST. ENTRY
A311 SCALE: 3/4" = 1'-0"



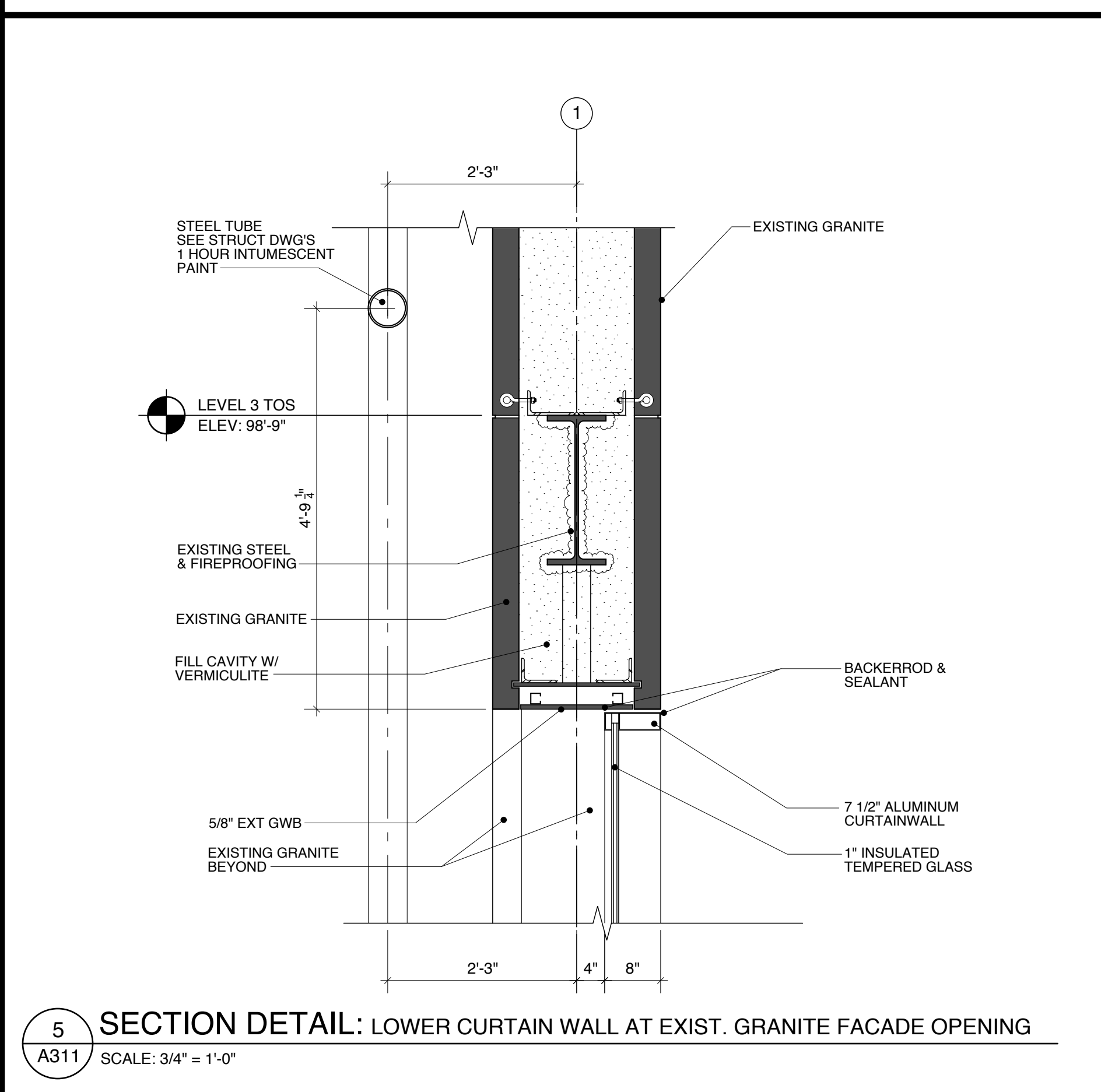
4 SECTION DETAIL: CONGRESS ST. ENTRANCE VESTIBULE
A311 SCALE: 3/4" = 1'-0"



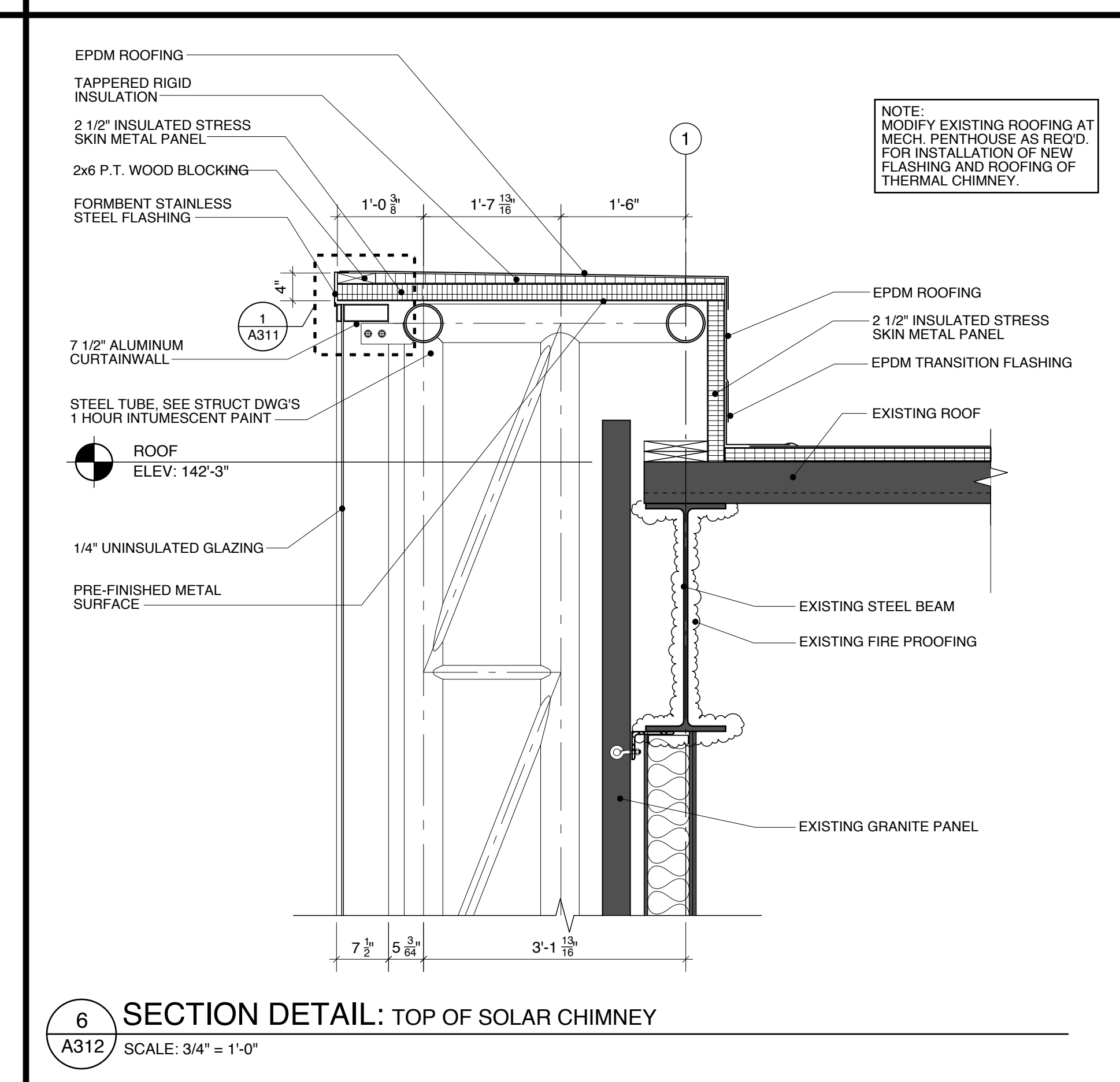
13 SECTION DETAIL
A122 SCALE: 3" = 1'-0"



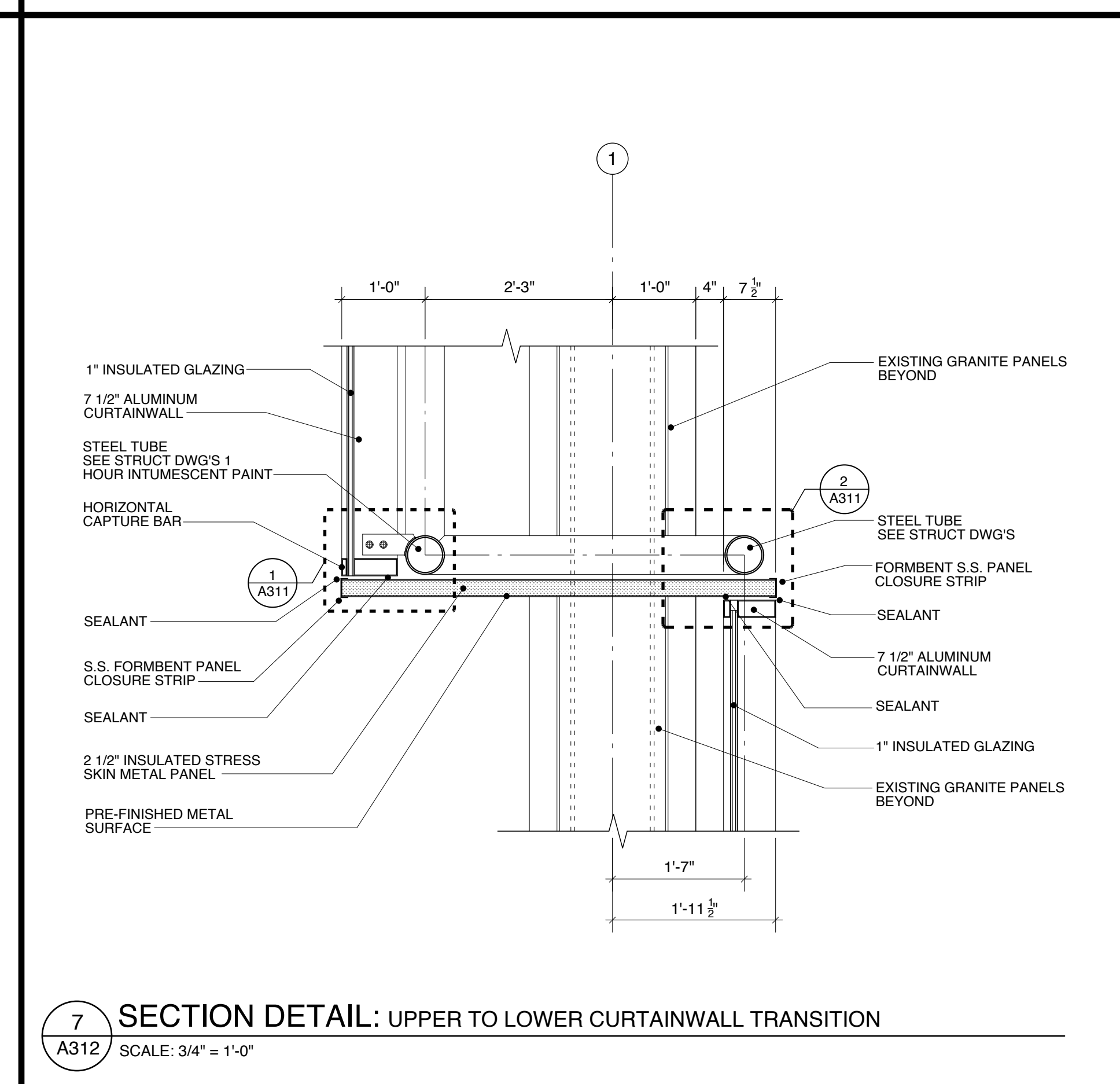
14 SECTION DETAIL
A122 SCALE: 3" = 1'-0"



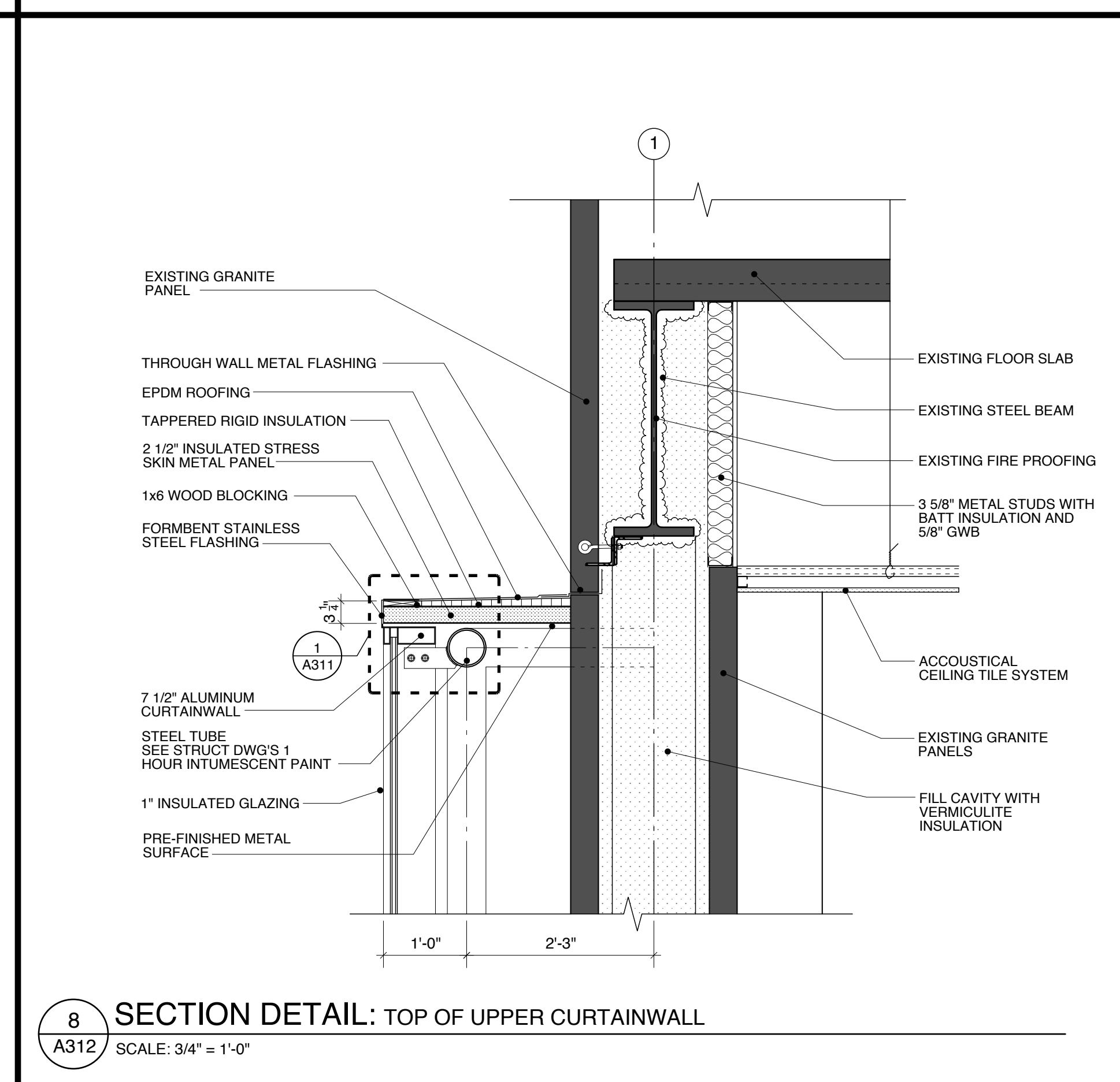
5 SECTION DETAIL: LOWER CURTAIN WALL AT EXIST. GRANITE FACADE OPENING
A311 SCALE: 3/4" = 1'-0"



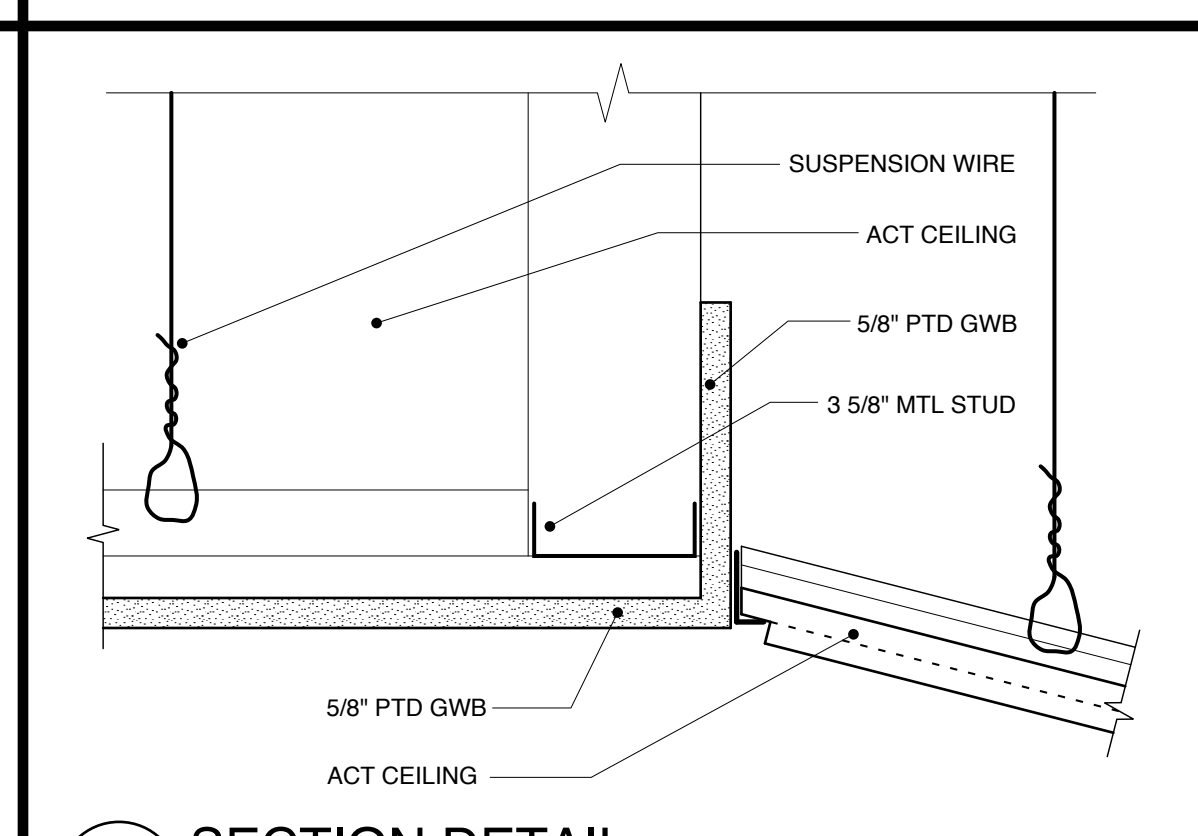
6 SECTION DETAIL: TOP OF SOLAR CHIMNEY
A312 SCALE: 3/4" = 1'-0"



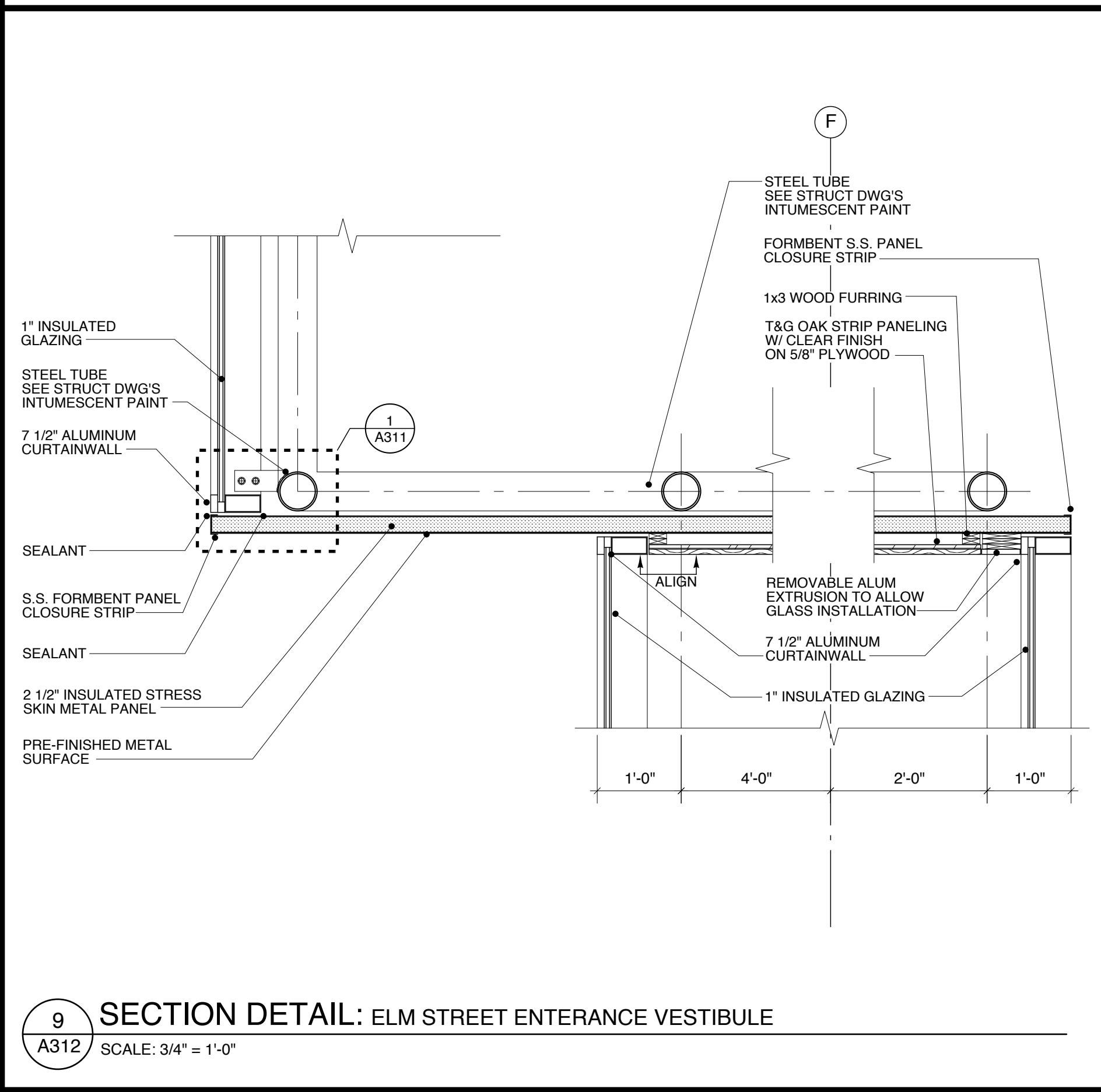
7 SECTION DETAIL: UPPER TO LOWER CURTAIN WALL TRANSITION
A312 SCALE: 3/4" = 1'-0"



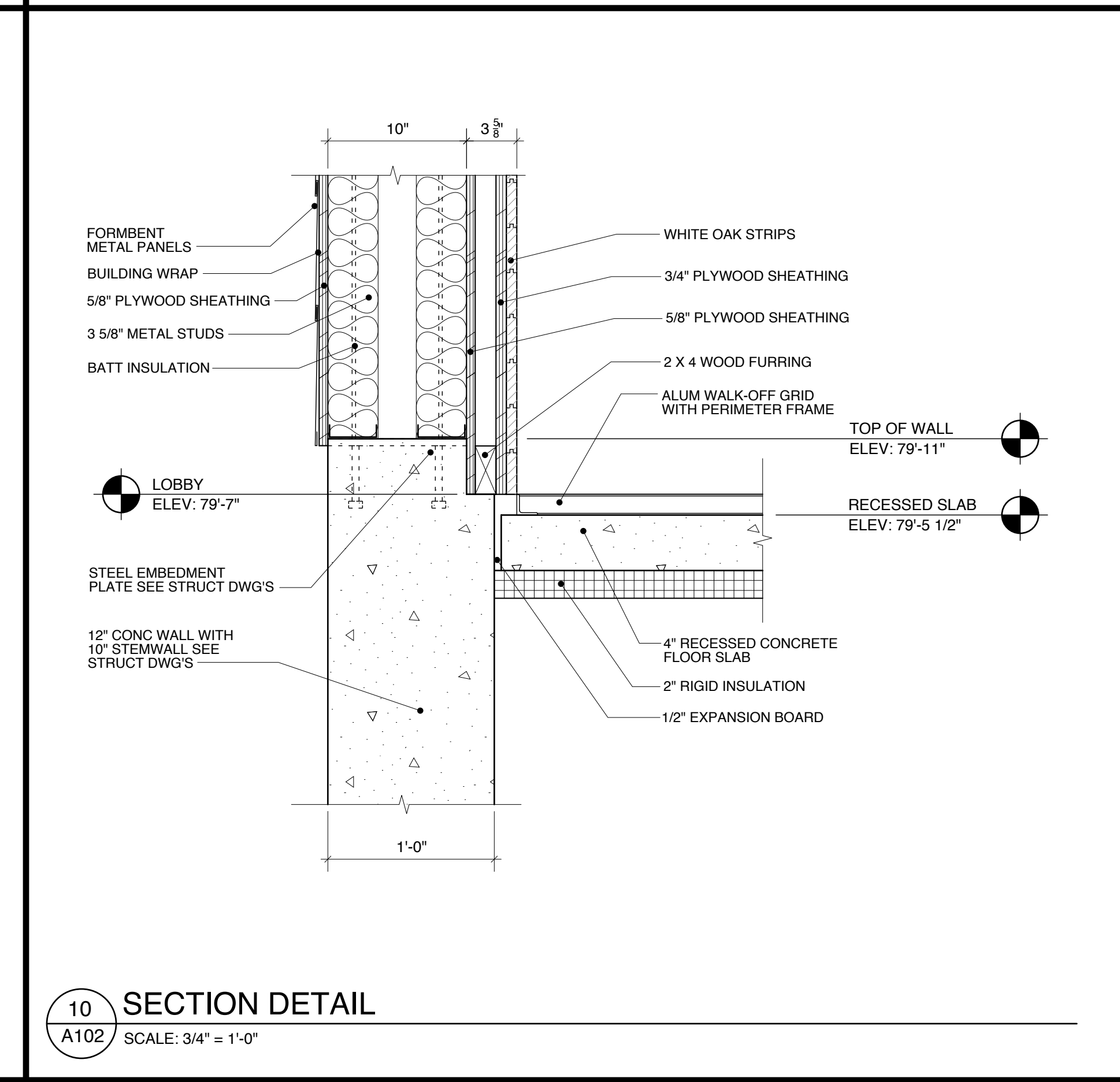
8 SECTION DETAIL: TOP OF UPPER CURTAIN WALL
A312 SCALE: 3/4" = 1'-0"



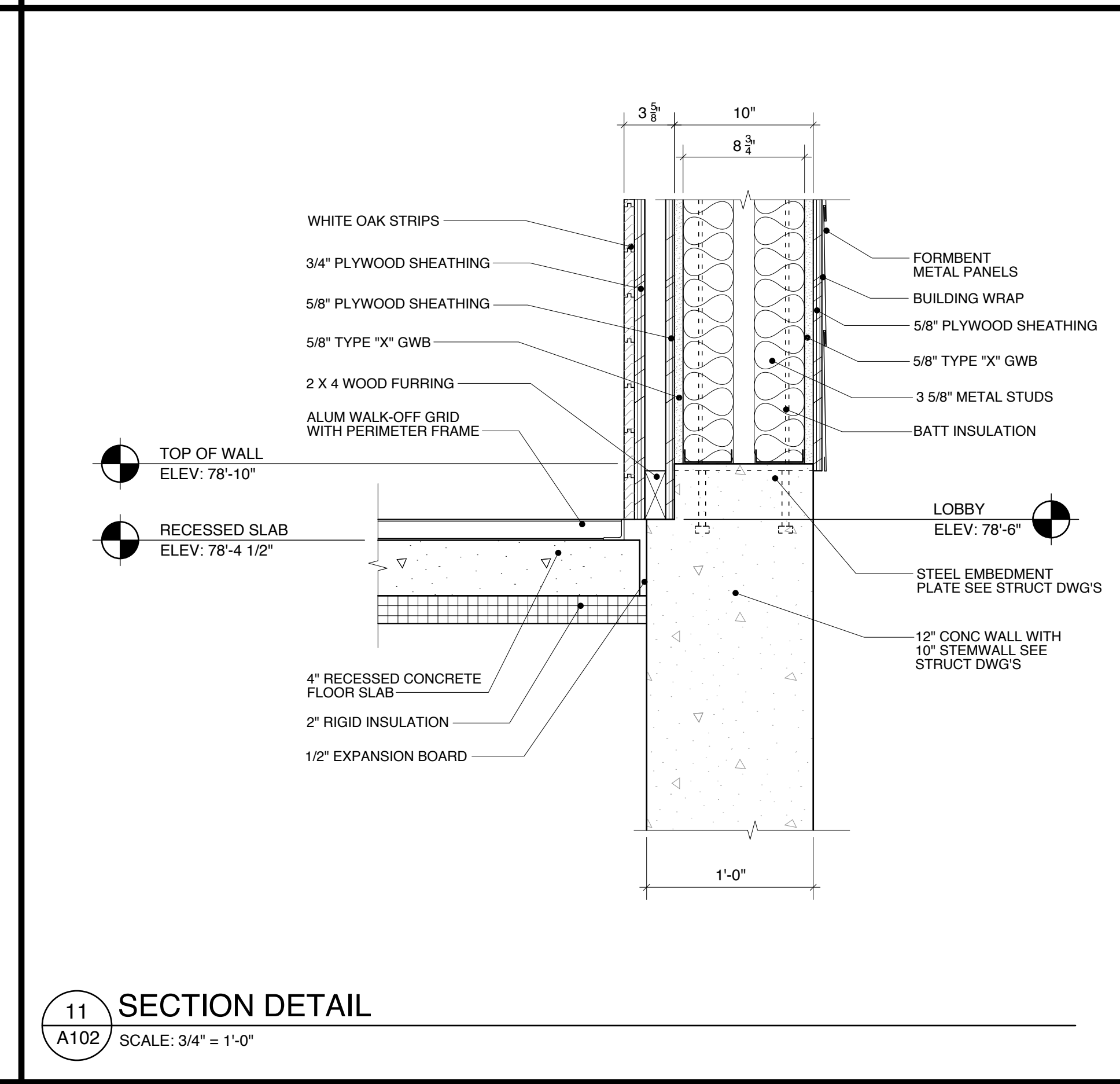
15 SECTION DETAIL
A122 SCALE: 3" = 1'-0"



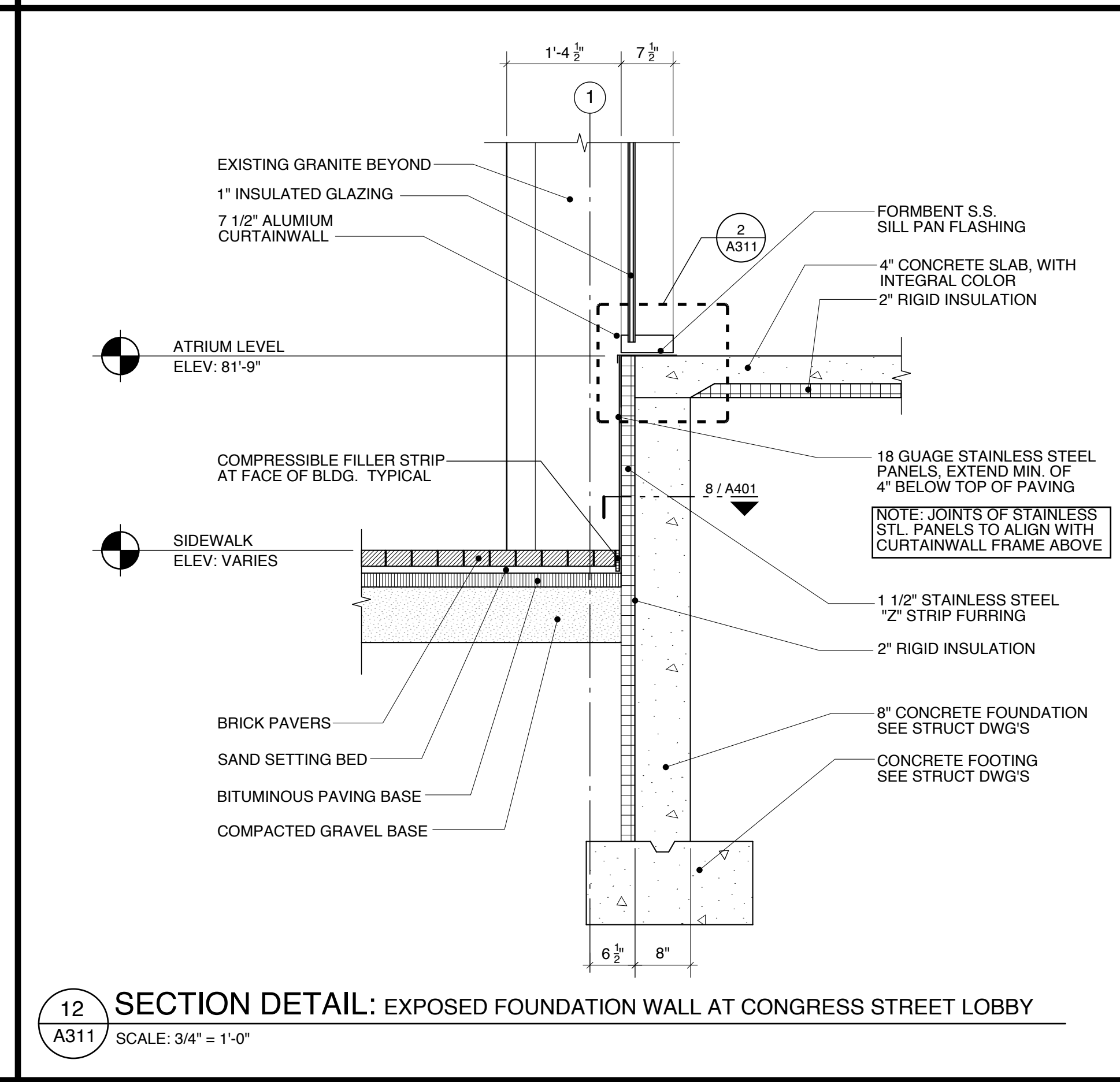
9 SECTION DETAIL: ELM STREET ENTRANCE VESTIBULE
A312 SCALE: 3/4" = 1'-0"



10 SECTION DETAIL
A102 SCALE: 3/4" = 1'-0"



11 SECTION DETAIL
A102 SCALE: 3/4" = 1'-0"



12 SECTION DETAIL: EXPOSED FOUNDATION WALL AT CONGRESS STREET LOBBY
A311 SCALE: 3/4" = 1'-0"

PROJECT
**Portland Public Library
Addition / Renovation**
5 MONUMENT SQUARE
PORTLAND, ME

TITLE
**SECTION
DETAILS**

STATUS:
ISSUED FOR BIDDING
CONSTRUCTION DOCUMENTS

DATE:
02.13.2009

SCALE:
AS SHOWN

PROJECT NO.
2008-0030

DRAWN BY:
2009 © Scott Simons Architects

DWG NO.
A411

THIS DRAWING IS THE PROPERTY OF SCOTT SIMONS ARCHITECTS AND IS NOT TO BE COPIED OR REPRODUCED IN PART OR WHOLE.

SCOTT SIMONS ARCHITECTS
75 York Street
Portland, Maine 04101
Tel: 207.772.4555
Fax: 207.628.4555
www.scottsimonsarchitects.com

REVISION / DATE: