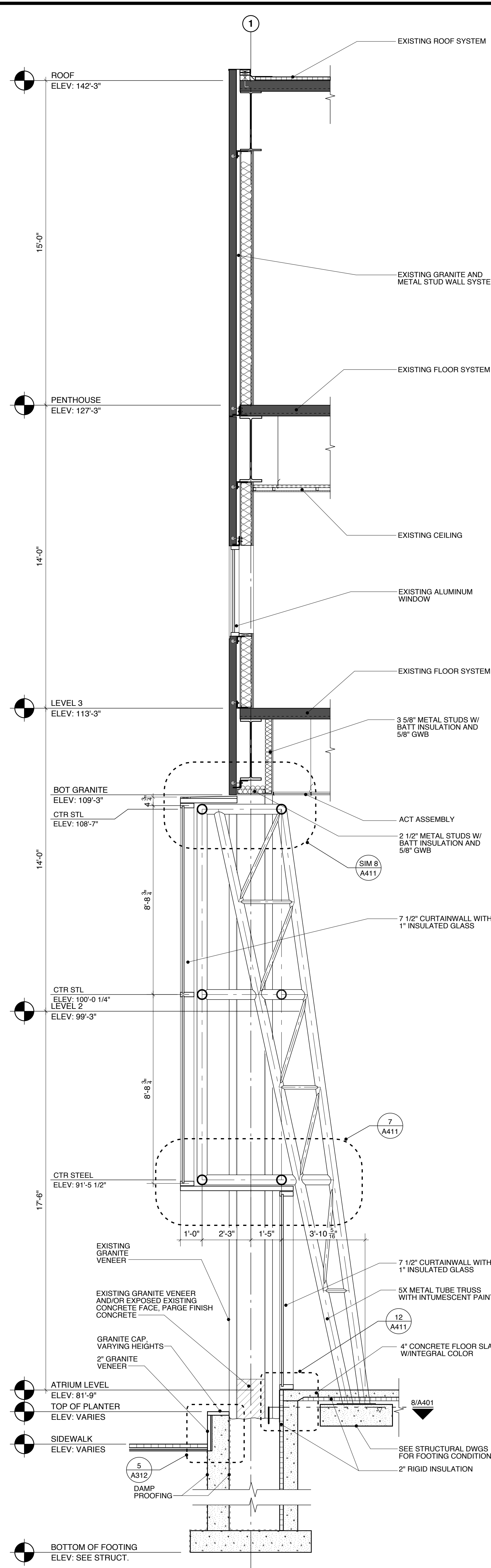
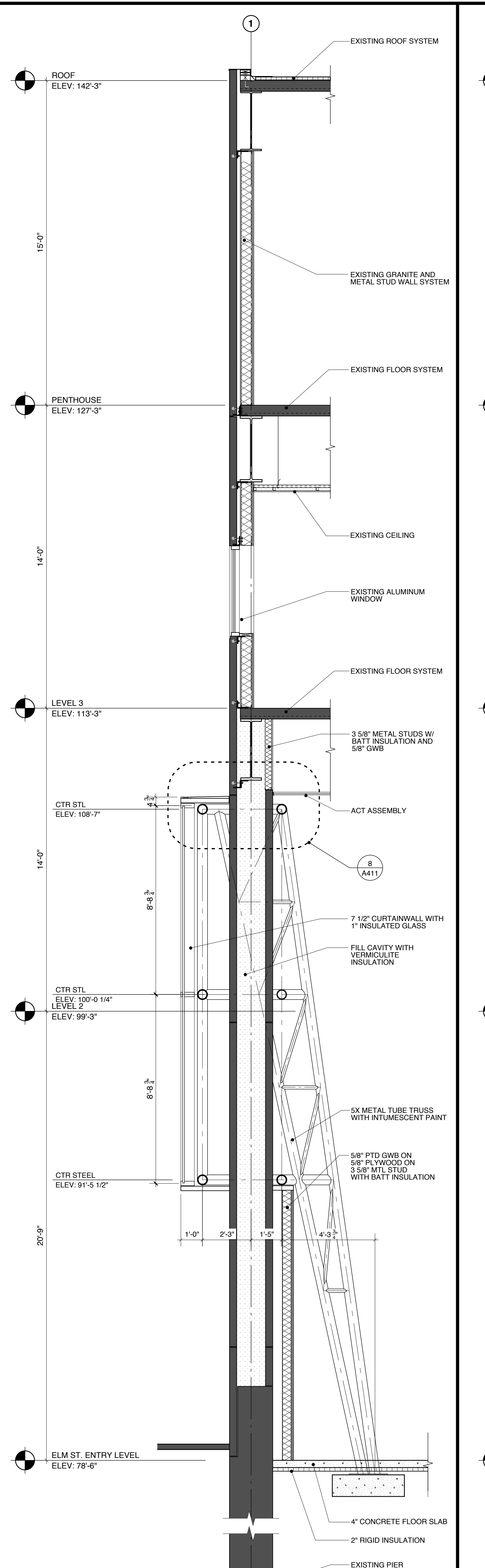


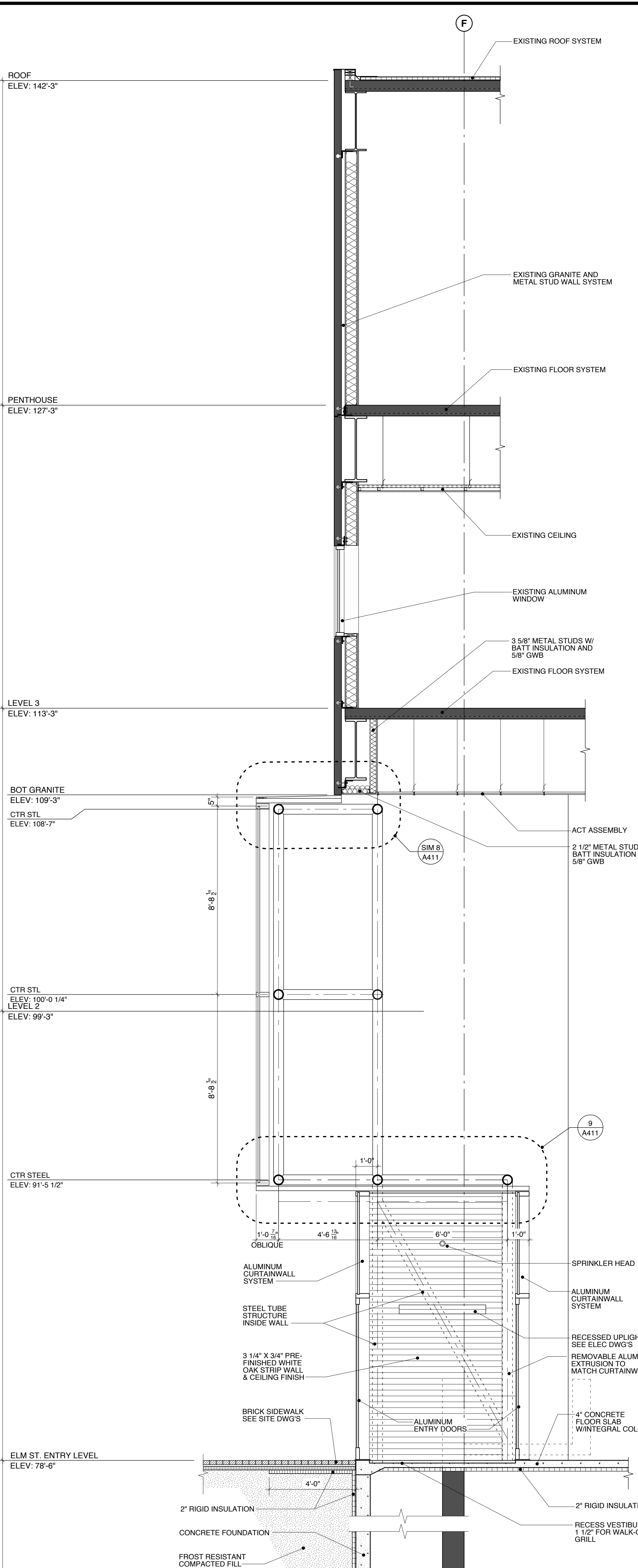
1 WALL SECTION  
SCALE: 3/8" = 1'-0"



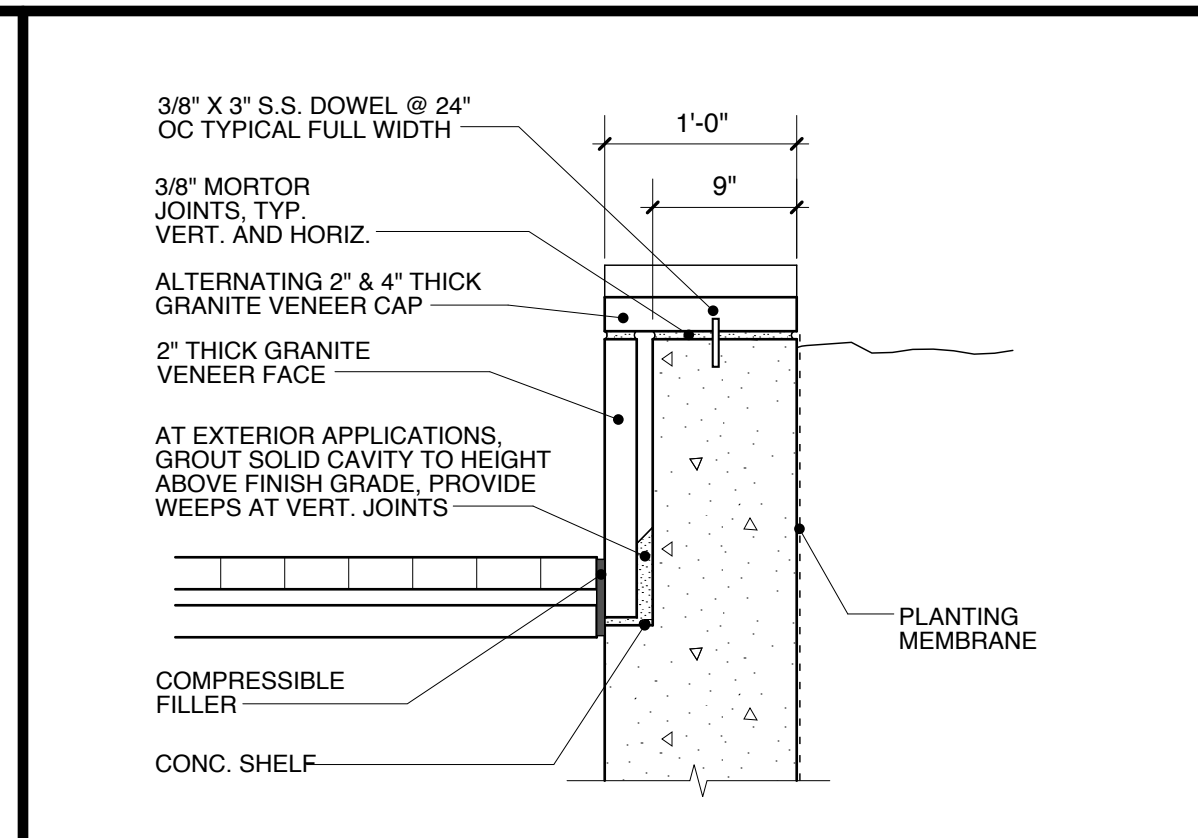
2 WALL SECTION  
SCALE: 3/8" = 1'-0"



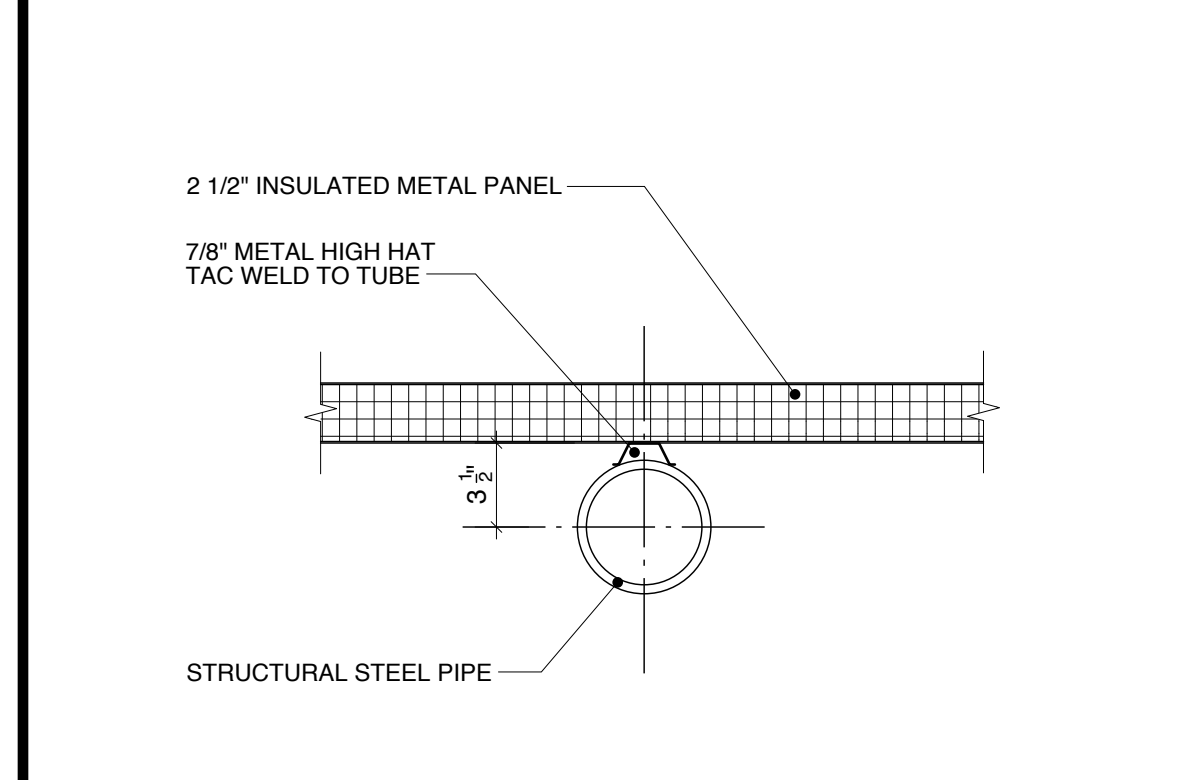
3 WALL SECTION  
SCALE: 3/8" = 1'-0"



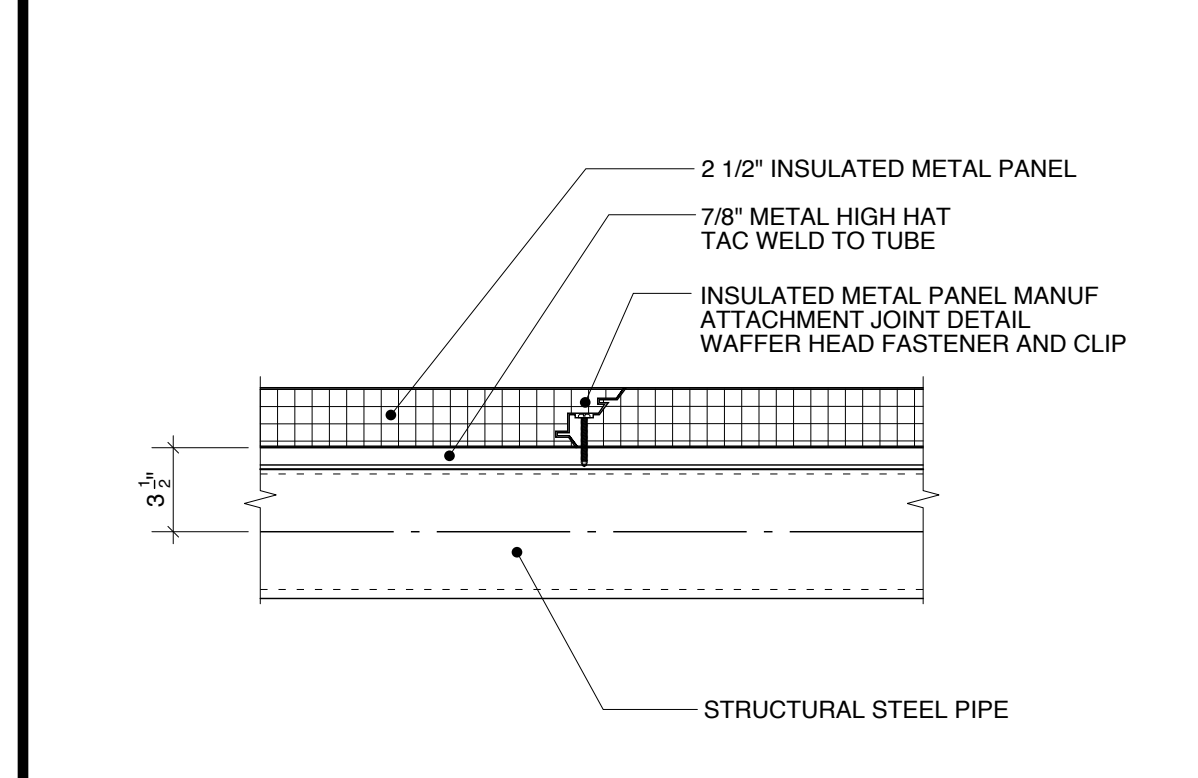
4 WALL SECTION  
SCALE: 3/8" = 1'-0"



5 DETAIL @ EXTERIOR PLANTER  
SCALE: 1" = 1'-0"



6 DETAIL @ METAL PANEL CONNECTION, TYP.  
SCALE: 1 1/2" = 1'-0"



7 DETAIL @ METAL PANEL JOINT, TYP.  
SCALE: 1 1/2" = 1'-0"

PROJECT  
**Portland Public Library  
Addition / Renovation**

5 MONUMENT SQUARE  
PORTLAND, ME

TITLE  
**WALL SECTIONS**

THIS DRAWING IS THE PROPERTY OF SCOTT SIMONS ARCHITECTS AND IS NOT TO BE COPIED OR REPRODUCED IN PART OR WHOLE.

STATUS: **ISSUED FOR BIDDING**  
CONSTRUCTION DOCUMENTS

DATE: 02.13.2009  
SCALE: 3/8" = 1'-0"  
PROJECT NO: 2008-0030  
DRAWN BY: SJE  
DWG NO: **A312**

REVISION / DATE:

SCOTT R. SIMONS ARCHITECTS  
75 York Street  
Portland, Maine 04101  
Tel: 207.772.4555  
Fax: 207.628.4555  
www.scottsimonsarchitects.com

2009 © Scott Simons Architects