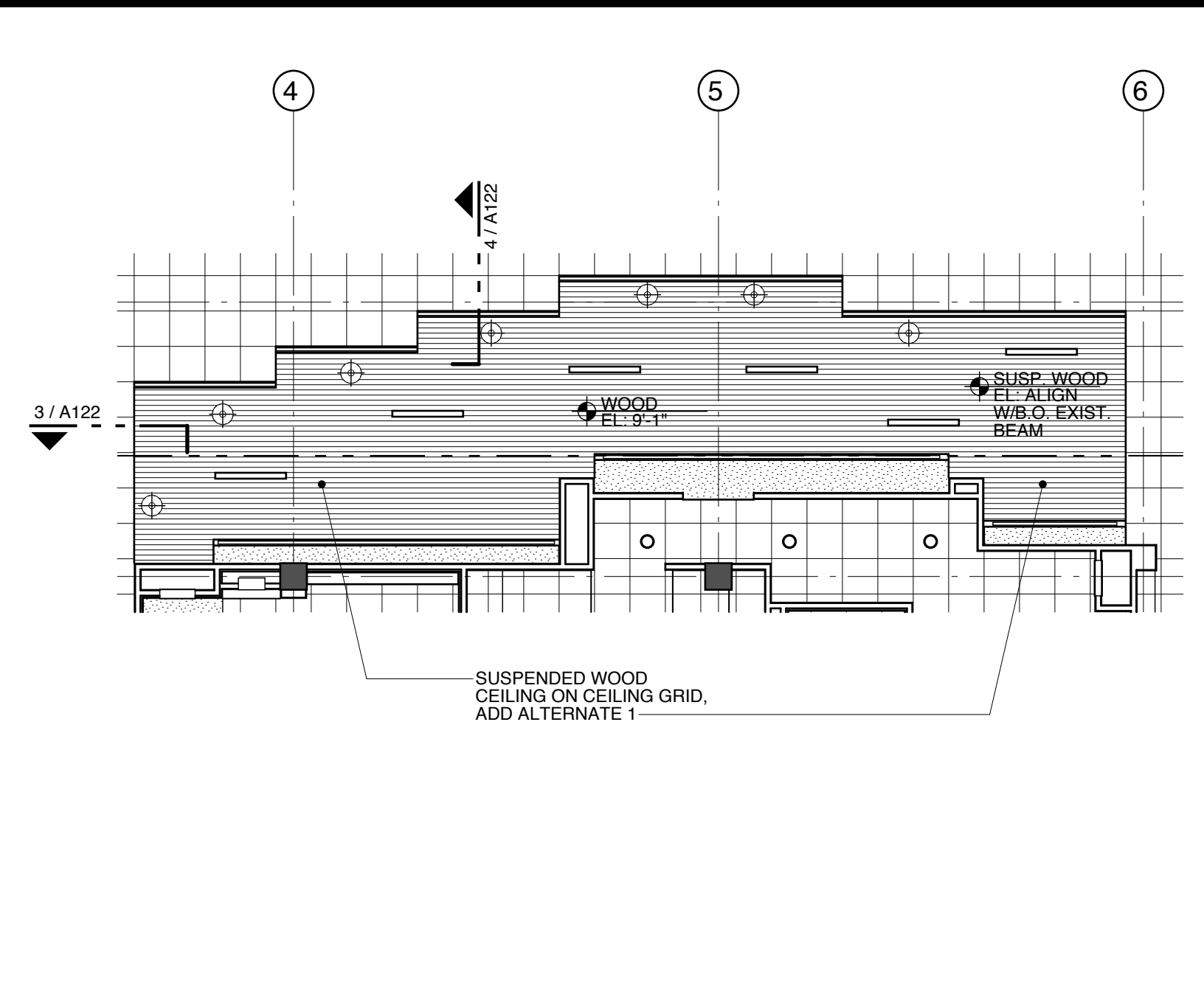
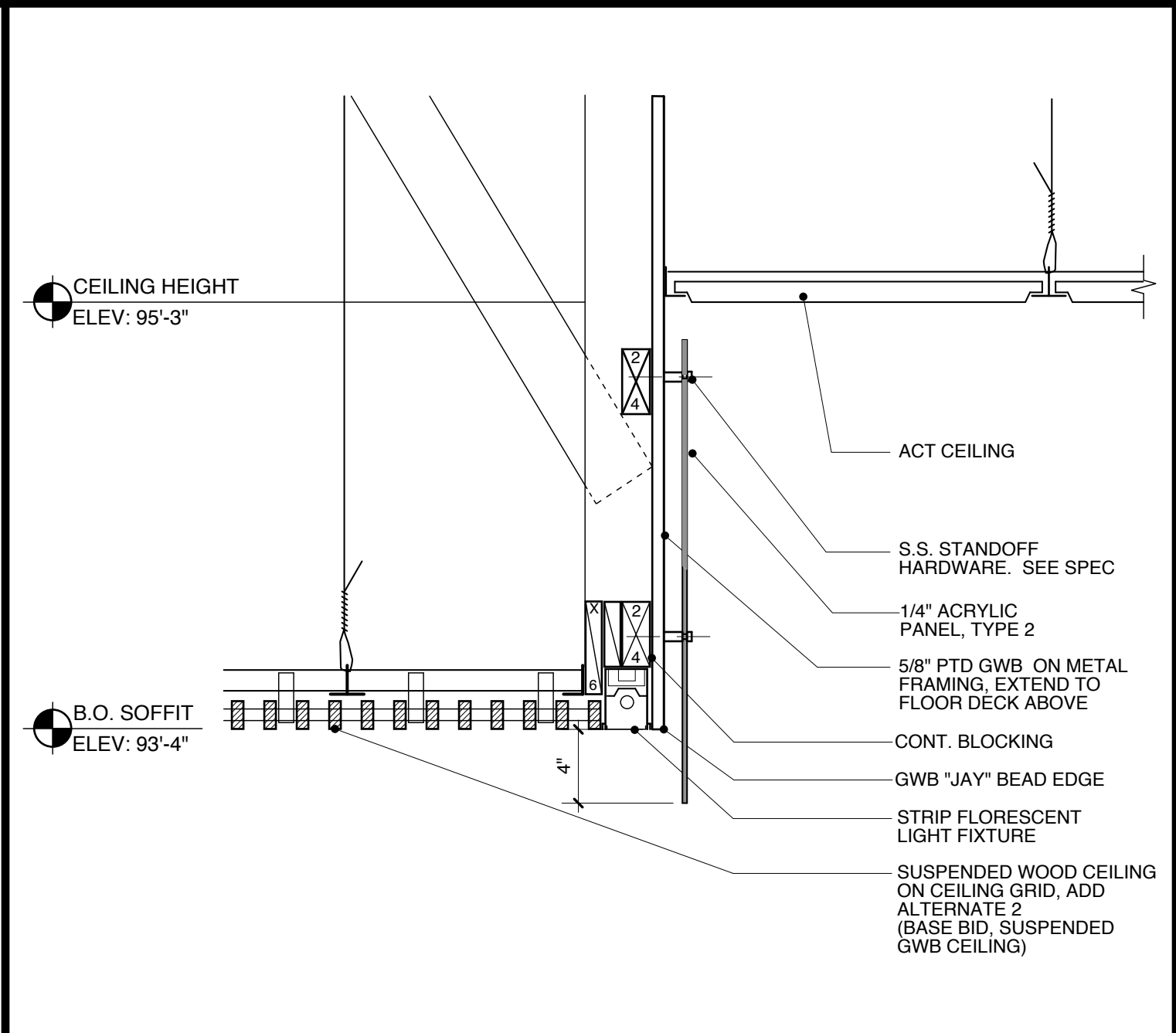


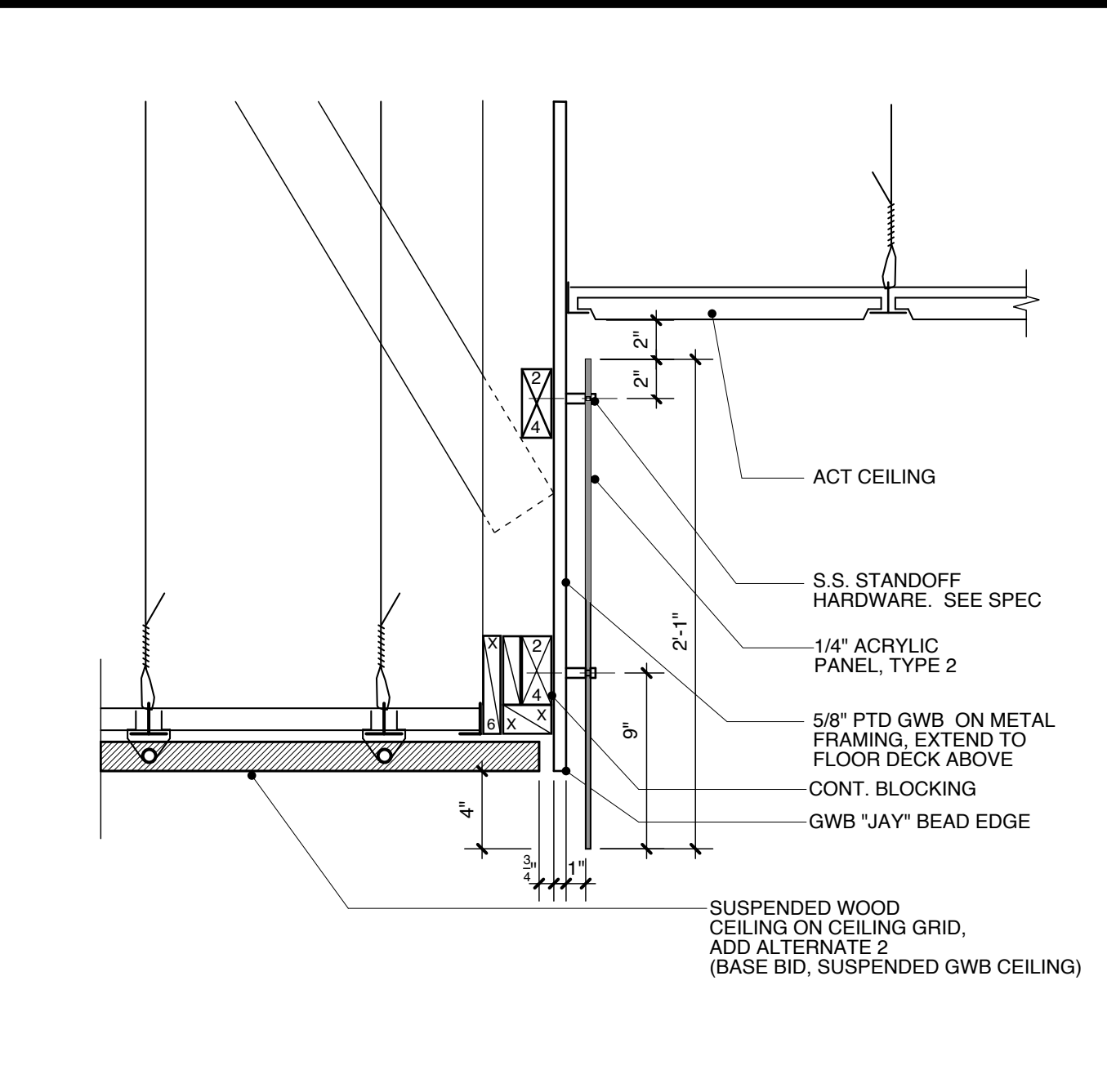
1 MAIN LEVEL RCP
SCALE: 1/8" = 1'-0"



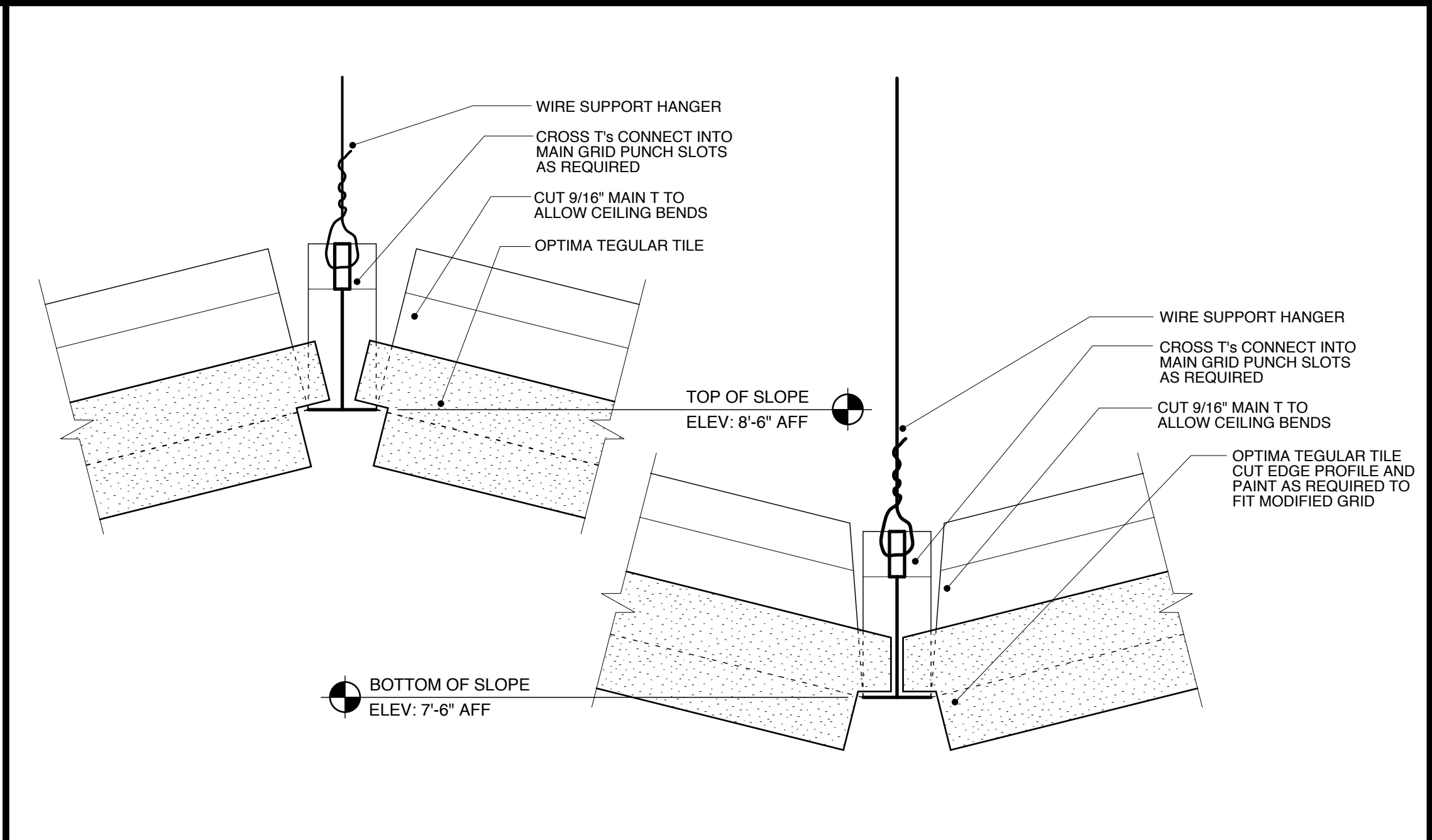
2 LENDING SERVICES CEILING ADD ALTERNATE 2
SCALE: 1/8" = 1'-0"



3 LENDING SERVICES CEILING ALTERNATE 2 DETAIL
SCALE: 1 1/2" = 1'-0"



4 LENDING SERVICES CEILING ALTERNATE 2 DETAIL
SCALE: 1 1/2" = 1'-0"



5 SLOPED ACT CEILING DETAILS AT CHILDREN'S AREA
SCALE: FULL SCALE

GENERAL RCP NOTES:

- REFER TO THIS PLAN FOR DIMENSIONS AND LOCATIONS OF ALL CEILING MOUNTED ITEMS. REFER TO ELECTRICAL AND MECHANICAL DRAWINGS FOR QUANTITIES AND PRODUCT DESCRIPTIONS.
- DIMENSIONS SHOWN ARE TO CENTERLINES OF SPECIFIC ITEMS. LINEAR LAYOUTS OF ITEMS NOT DIMENSIONED ARE REQUIRED TO BE EQUALLY SPACED ON CENTER WITHIN A DEFINED AREA AND ARE REQUIRED TO BE CENTERED IN THE AREA SO DEFINED.
- COORDINATE ALL INSTALLATIONS WITH FIRE PROTECTION SYSTEMS.
- PROVIDE FLUSH ACCESS PANELS AS NECESSARY IN HARD CEILINGS FOR ACCESS TO MECHANICAL SYSTEMS.

PROJECT
Portland Public Library
Addition / Renovation

5 MONUMENT SQUARE
PORTLAND, ME

TITLE
MAIN LEVEL RCP

STATUS:
ISSUED FOR BIDDING
CONSTRUCTION DOCUMENTS

DATE: 02.13.2009
SCALE:
PROJECT NO: 2008-0030
DRAWN BY:
DWG NO: **A122**

SCOTT R. SIMONS ARCHITECTS
75 York Street
Portland, Maine 04101
tel: 207.772.4555
fax: 207.628.4555
web: www.scottsimonsarchitects.com

THIS DRAWING IS THE PROPERTY OF SCOTT SIMONS ARCHITECTS AND IS NOT TO BE COPIED OR REPRODUCED IN PART OR WHOLE.

SCOTT R. SIMONS ARCHITECT
NO. 2034
STATE OF MAINE
LICENSED ARCHITECT

2009 © Scott Simons Architects